



US00D753819S

(12) **United States Design Patent**
Rummery et al.

(10) **Patent No.:** **US D753,819 S**
(45) **Date of Patent:** **** Apr. 12, 2016**

(54) **CUSHION FOR RESPIRATORY MASK**
(71) Applicant: **ResMed Limited**, Bella Vista, New South Wales (AU)

D545,961 S 7/2007 Hitchcock et al.
D546,441 S 7/2007 Hitchcock et al.
D549,323 S * 8/2007 Kwok D24/110.5

(Continued)

(72) Inventors: **Gerard Michael Rummery**, Woodford (AU); **Phoebe Katherine Hill**, Sydney (AU); **Robert Edward Henry**, Sydney (AU)

FOREIGN PATENT DOCUMENTS

WO WO 2009/052560 4/2009

OTHER PUBLICATIONS

Henry et al., U.S. Appl. No. 29/413,554, filed Feb. 16, 2012.

(Continued)

(73) Assignee: **ResMed Limited**, Bella Vista (AU)

(**) Term: **14 Years**

Primary Examiner — Wan Laymon

(21) Appl. No.: **29/491,919**

(74) *Attorney, Agent, or Firm* — Nixon & Vanderhye P.C.

(22) Filed: **May 27, 2014**

(57) **CLAIM**

The ornamental design for a cushion for respiratory mask, as shown and described.

Related U.S. Application Data

DESCRIPTION

(63) Continuation of application No. 29/413,554, filed on Feb. 16, 2012, now Pat. No. Des. 709,181, which is a continuation of application No. 29/335,698, filed on Apr. 20, 2009, now Pat. No. Des. 656,231.

FIG. 1 is a rear perspective view of a cushion for respiratory mask according to a first embodiment of our design;

(51) **LOC (10) Cl.** **29-02**

FIG. 2 is a rear view thereof;

(52) **U.S. Cl.**

USPC **D24/110.5**; D24/110.1

FIG. 3 is a front view thereof;

(58) **Field of Classification Search**

USPC D24/110, 110.1–110.5

CPC A61M 16/06; A61M 16/0666; A61M 16/0683; A61M 16/0622

FIG. 4 is a top view thereof;

FIG. 5 is a bottom view thereof;

FIG. 6 is a right side view thereof with the left side view being a mirror image;

FIG. 7 is a rear perspective view of a cushion for respiratory mask according to a second embodiment of our design;

FIG. 8 is a rear view thereof;

FIG. 9 is a front view thereof;

FIG. 10 is a top view thereof;

FIG. 11 is a bottom view thereof; and,

FIG. 12 is a right side view thereof with the left side view being a mirror image.

See application file for complete search history.

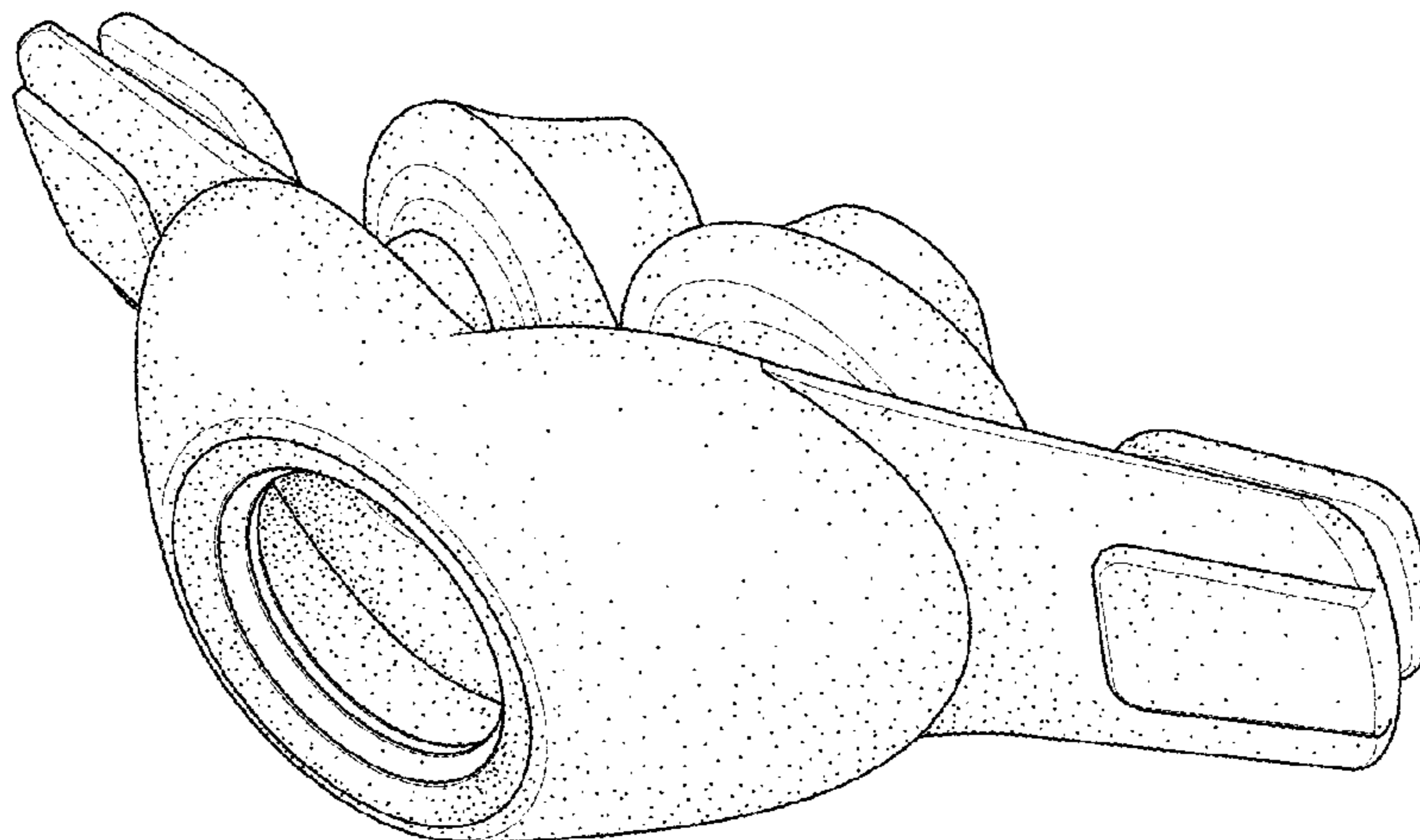
The use of stippling and shading is provided to show contrast in materials and/or to differentiate between different areas of the design. The claimed design is not limited to the illustrative use of stippling and/or shading.

(56) **References Cited**

U.S. PATENT DOCUMENTS

4,915,105 A 4/1990 Lee
D405,522 S 2/1999 Hoenig et al.
6,119,694 A 9/2000 Correa et al.
D485,905 S 1/2004 Moore et al.
D542,912 S 5/2007 Gunaratnam et al.

1 Claim, 4 Drawing Sheets



(56)

References Cited

U.S. PATENT DOCUMENTS

D551,340 S 9/2007 Wood et al.
 D558,333 S 12/2007 Hitchcock et al.
 7,318,437 B2 1/2008 Gunaratnam et al.
 D577,117 S 9/2008 Biener et al.
 D578,206 S 10/2008 Hitchcock et al.
 D586,907 S 2/2009 Judson et al.
 D586,911 S 2/2009 McAuley et al.
 D588,258 S * 3/2009 Judson D24/110.1
 D589,139 S 3/2009 Guney et al.
 D600,343 S 9/2009 Degabriele et al.
 D612,481 S 3/2010 Reid et al.
 D612,482 S 3/2010 Degabriele et al.
 D612,933 S 3/2010 Prentice et al.
 D623,288 S 9/2010 Lubke et al.
 D627,059 S 11/2010 Wood et al.
 7,874,293 B2 1/2011 Gunaratnam et al.
 D637,279 S 5/2011 Scheiner et al.
 D637,283 S 5/2011 Selvarajan et al.
 7,942,148 B2 5/2011 Davidson et al.
 7,942,150 B2 5/2011 Guney et al.
 D653,748 S 2/2012 Henry et al.
 D656,231 S 3/2012 Henry et al.
 D668,328 S 10/2012 Hill et al.
 8,985,117 B2 * 3/2015 Gunaratnam A61M 16/0666
 128/206.21
 D729,381 S * 5/2015 Himes D24/110.1
 2008/0047560 A1 2/2008 Veliss et al.
 2008/0092906 A1 4/2008 Gunaratnam et al.
 2009/0044808 A1 2/2009 Guney et al.
 2009/0126739 A1 5/2009 Ng et al.
 2009/0139527 A1 6/2009 Ng et al.

2009/0151729 A1 6/2009 Judson et al.
 2009/0183739 A1 7/2009 Wondka
 2009/0223518 A1 9/2009 Kwok et al.
 2009/0241961 A1 10/2009 McAuley et al.
 2009/0320851 A1 12/2009 Selvarajan et al.
 2010/0000534 A1 1/2010 Kooij et al.
 2010/0018534 A1 1/2010 Veliss et al.
 2010/0083961 A1 4/2010 McAuley et al.
 2010/0132716 A1 6/2010 Selvarajan et al.
 2010/0224195 A1 9/2010 Henry
 2010/0229868 A1 9/2010 Rummery et al.
 2010/0307502 A1 12/2010 Rummery et al.
 2011/0041855 A1 2/2011 Gunaratnam et al.
 2011/0114098 A1 5/2011 McAuley et al.
 2011/0308520 A1 12/2011 McAuley et al.
 2012/0090622 A1 4/2012 Chang
 2013/0042871 A1 2/2013 Chang
 2013/0186403 A1 7/2013 Chang
 2013/0233316 A1 9/2013 Ng et al.
 2014/0150798 A1 * 6/2014 Fong A61M 16/06
 128/206.21
 2014/0311493 A1 * 10/2014 Chandran A61M 16/06
 128/205.25
 2015/0209539 A1 * 7/2015 Rummery A61M 16/06
 128/202.27

OTHER PUBLICATIONS

ResMed Swift FX Nasal Pillow CPAP Mask with Headgear.
 [Retrieved on Dec. 13, 2013]. Retrieved from the internet: <URL:
[http://www.sleepinksonline.com/Swift_FX_CPAP_Nasai_Pil-
 low_MASK_p/61500.htm](http://www.sleepinksonline.com/Swift_FX_CPAP_Nasai_Pillow_MASK_p/61500.htm)>.

* cited by examiner

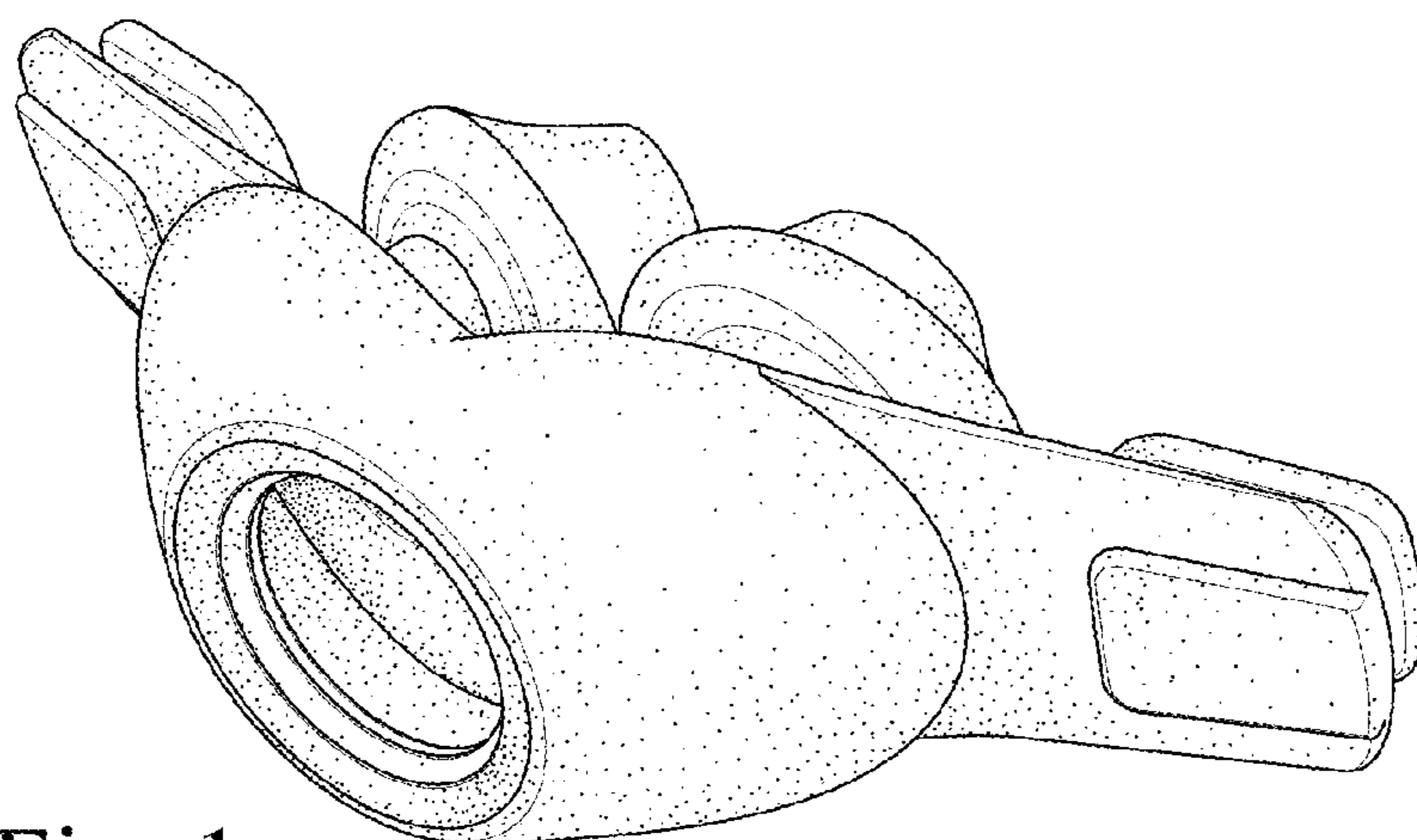


Fig. 1

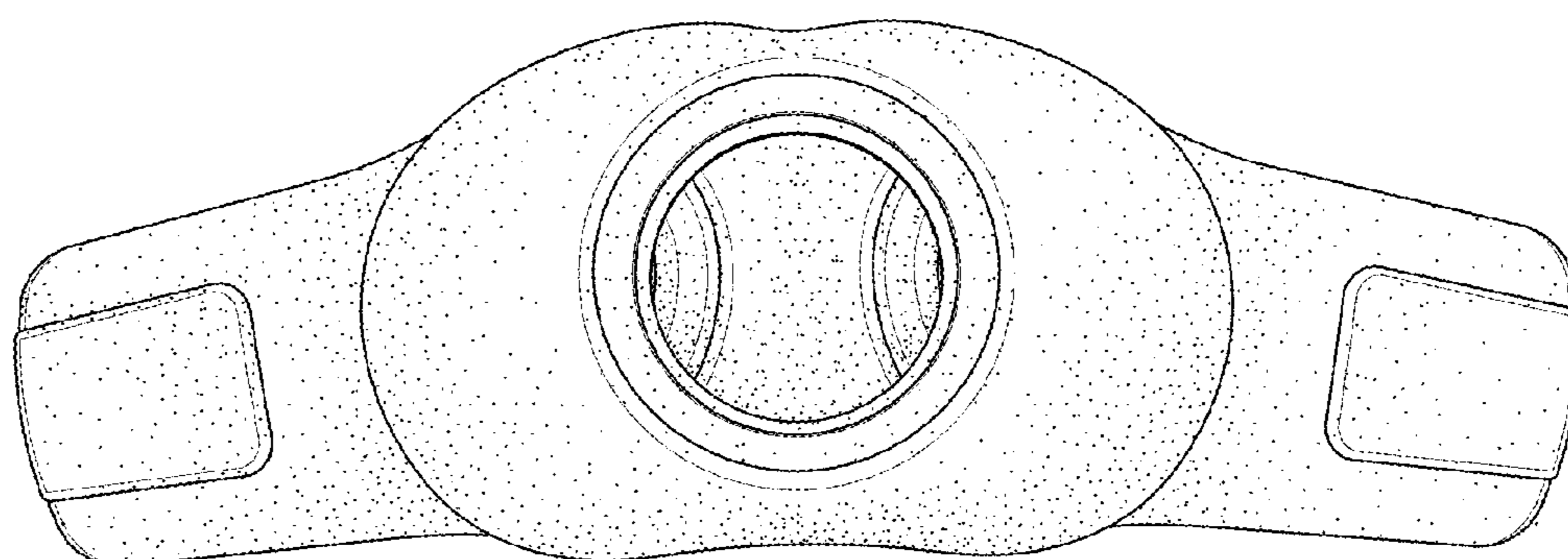


Fig. 2

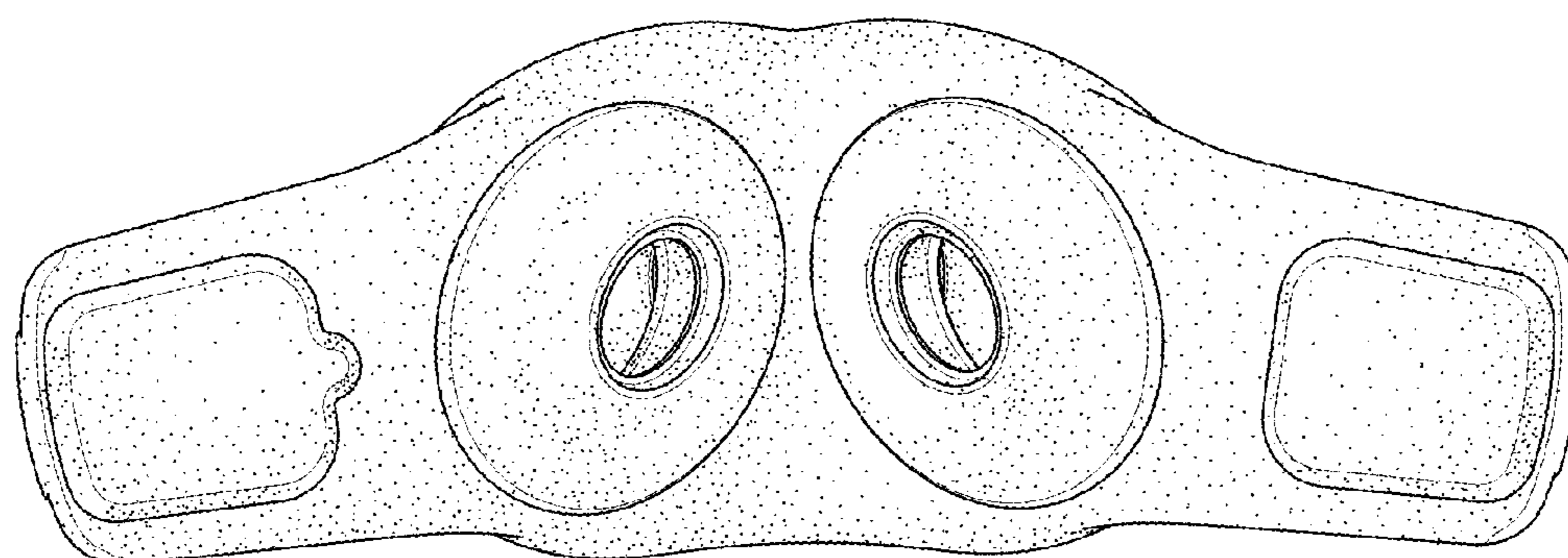


Fig. 3

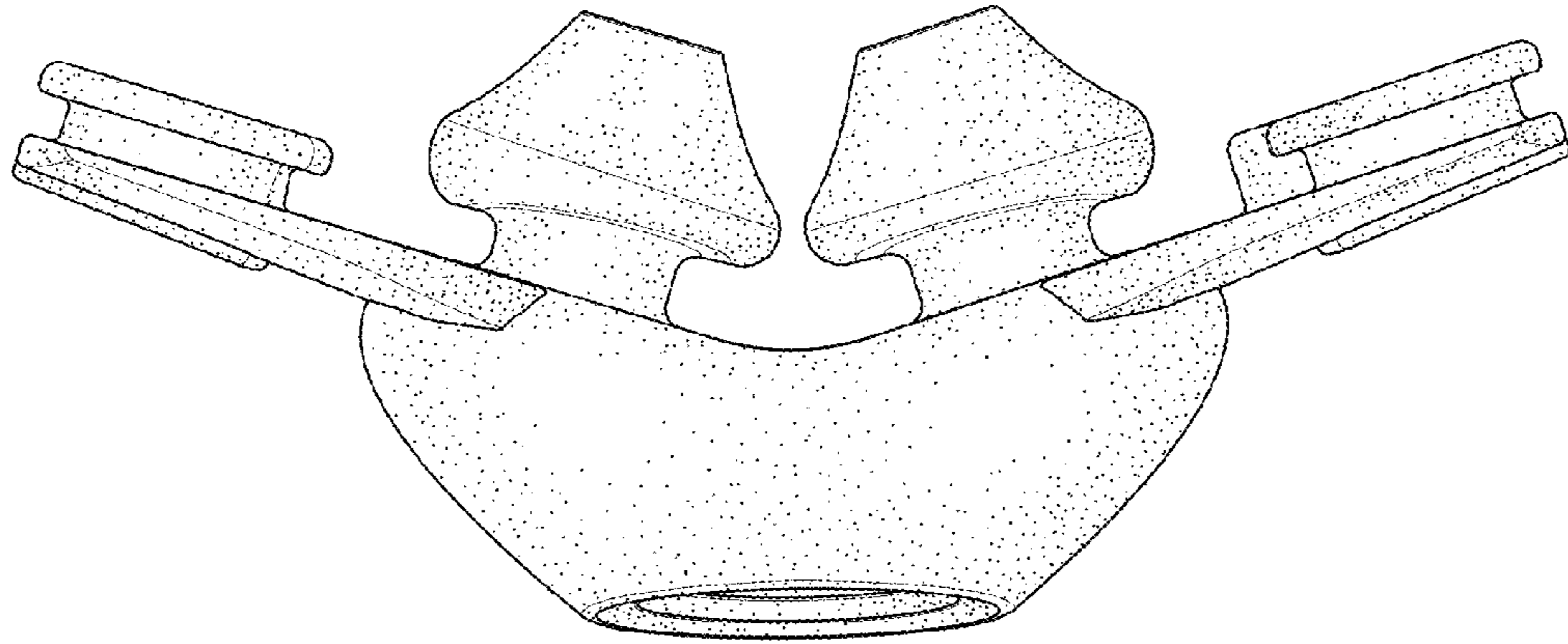


Fig. 4

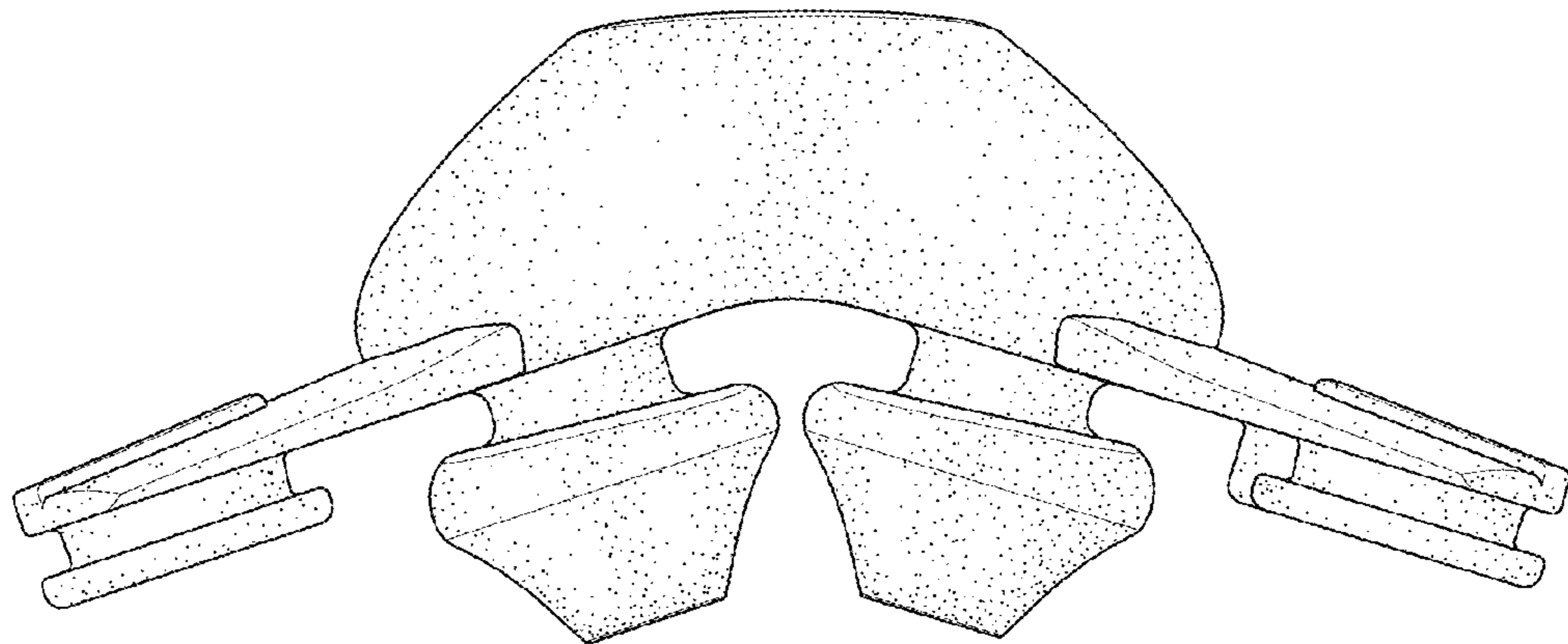


Fig. 5

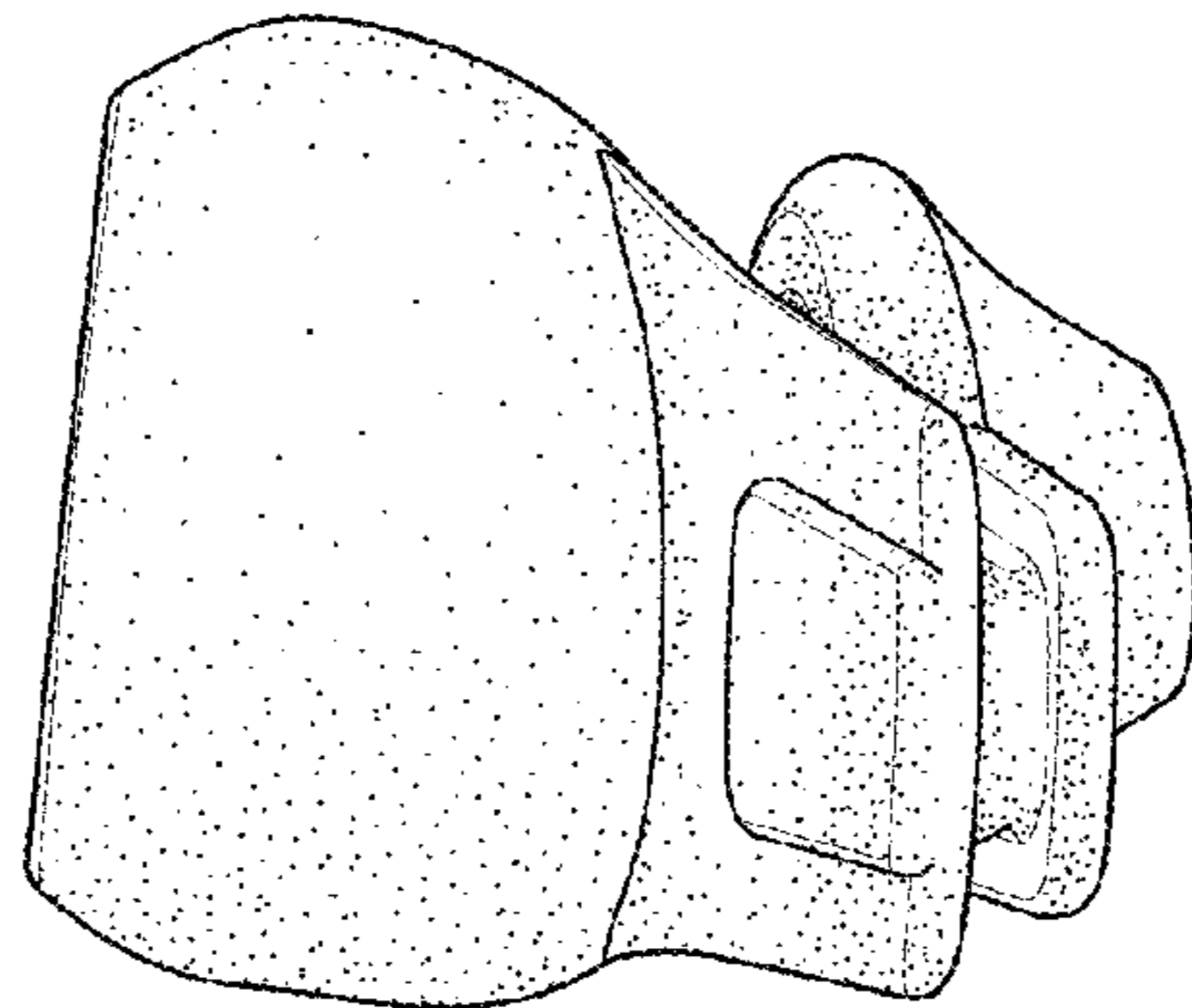


Fig. 6

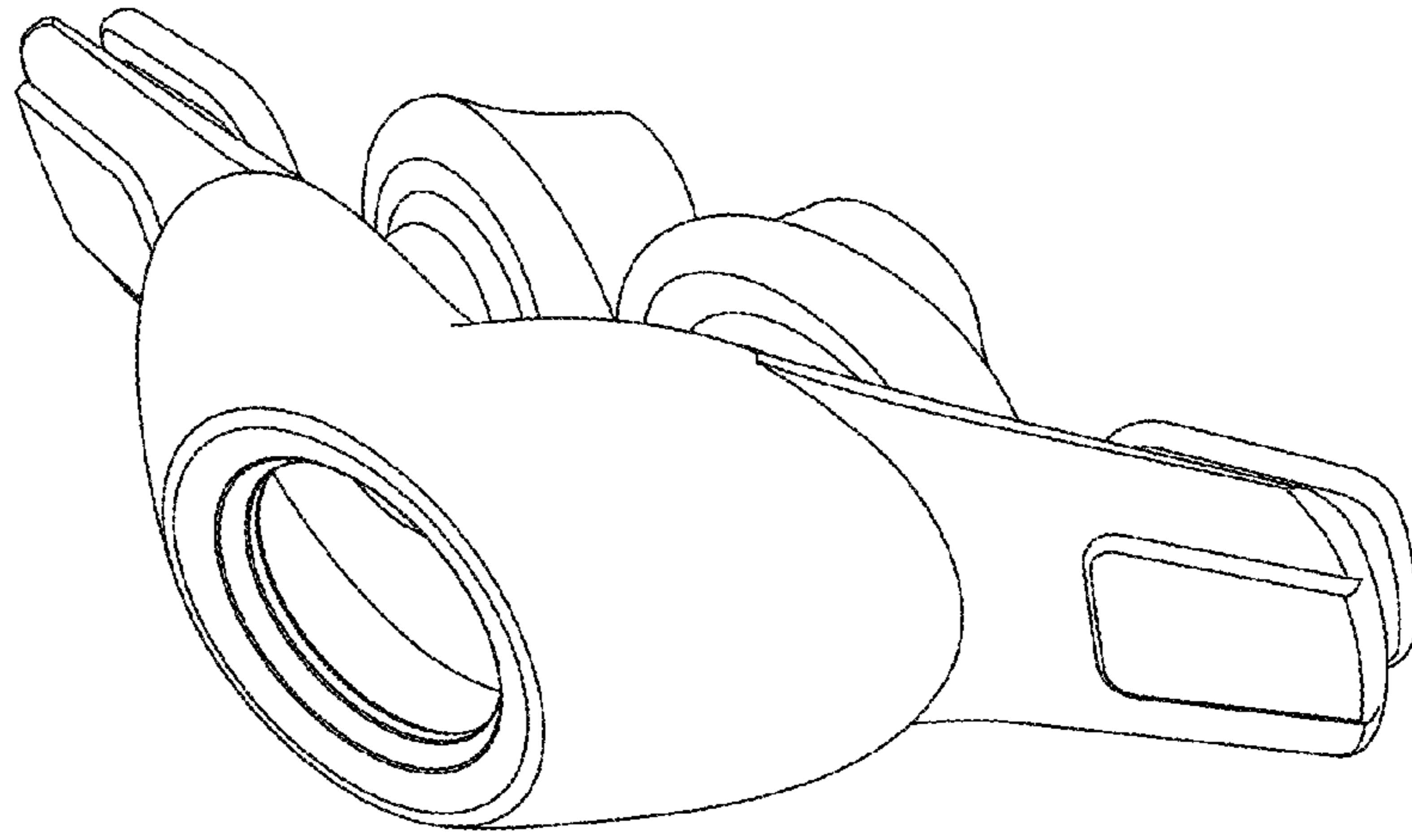


Fig. 7

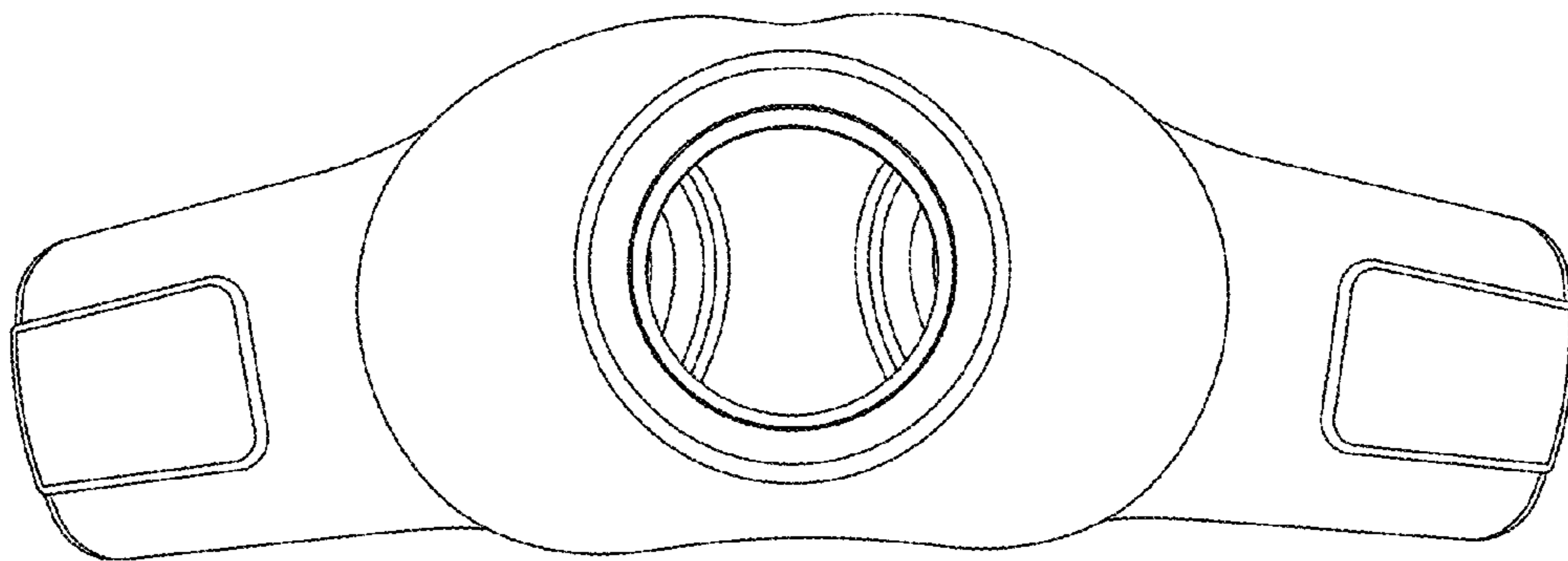


Fig. 8

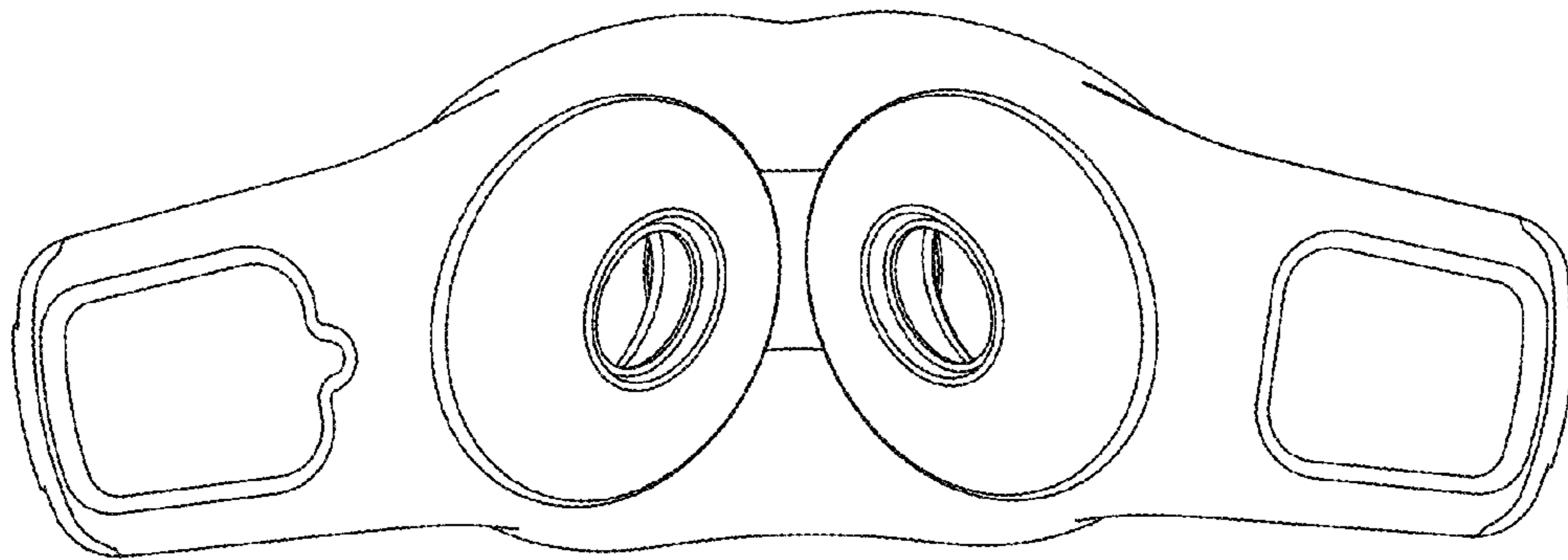


Fig. 9

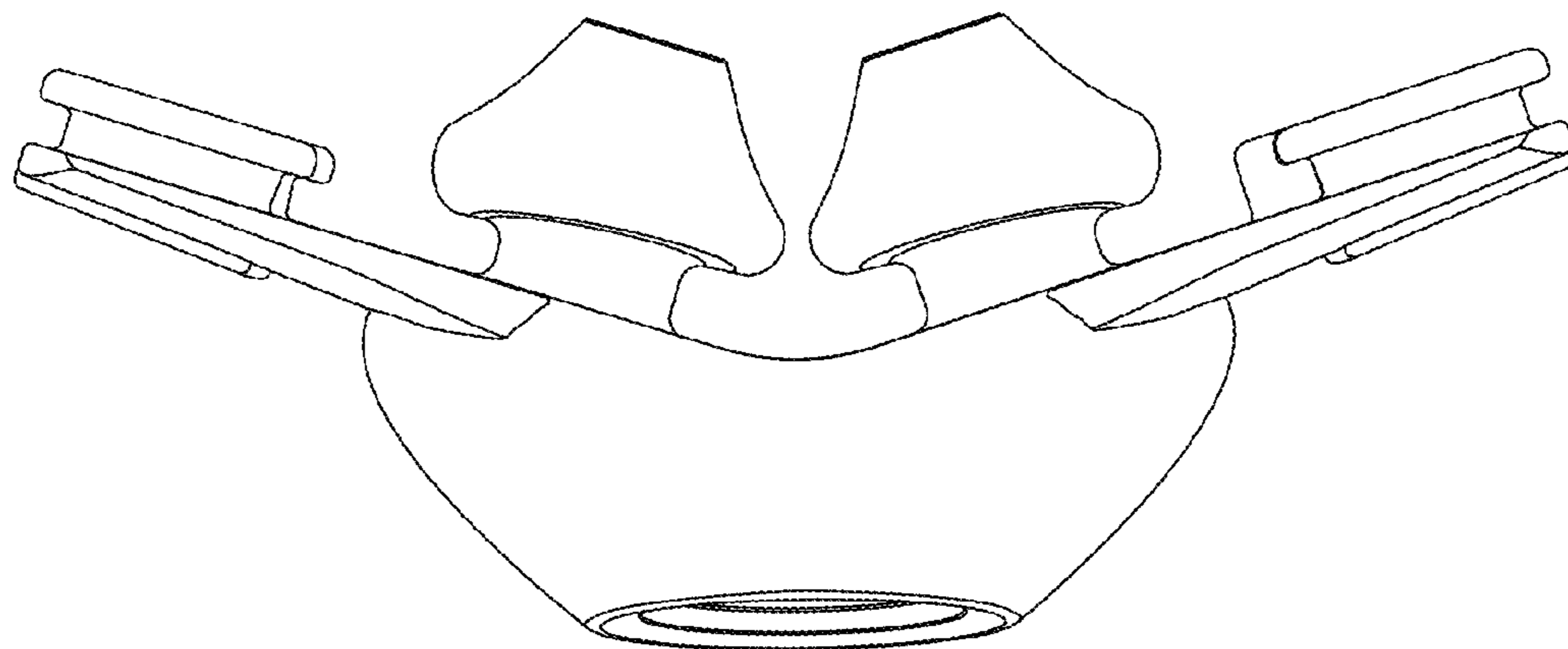


Fig. 10

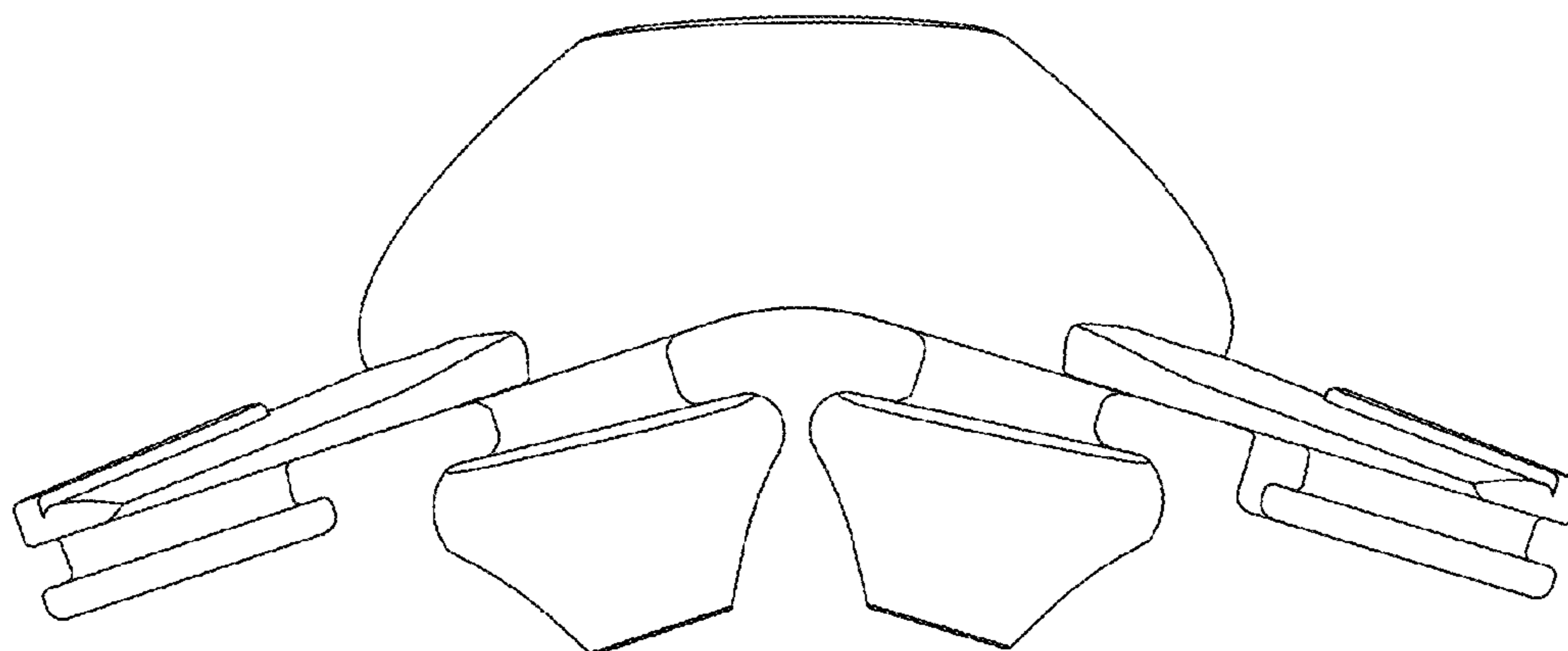


Fig. 11

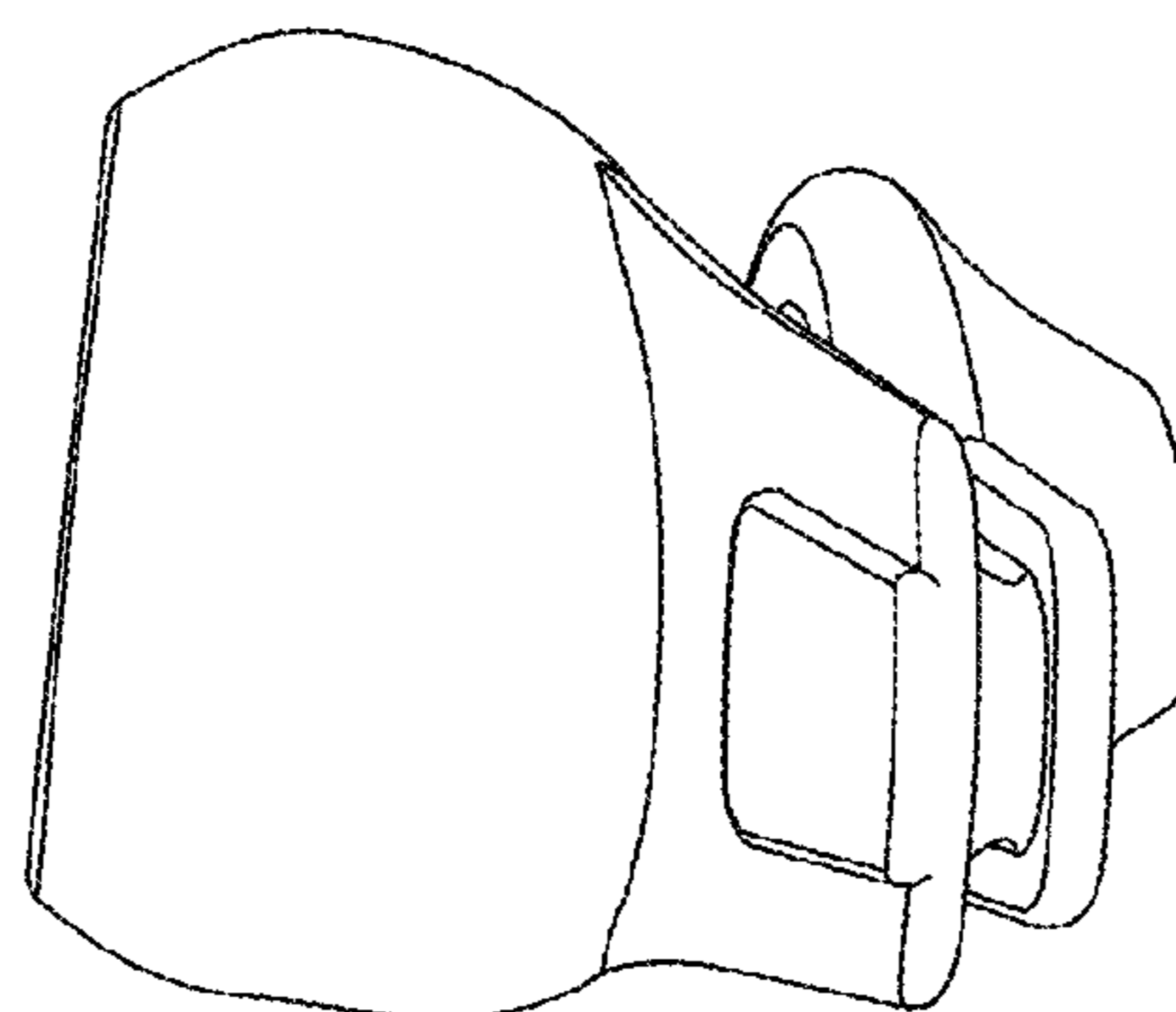


Fig. 12