



US00D753818S

(12) **United States Design Patent**  
**Maguire et al.**

(10) **Patent No.:** **US D753,818 S**  
(45) **Date of Patent:** **\*\* \*Apr. 12, 2016**

(54) **TRACHEOSTOMY TUBE**

FOREIGN PATENT DOCUMENTS

(75) Inventors: **Seamus Maguire**, Athlone (IE); **Paul Waldron**, Sydney (AU); **Jim Stephenson**, Galway (IE); **Steven Grate**, St. Peters, MO (US); **Ruben Antunez**, Longmont, CO (US); **Kamlesh Sethiya**, Athlone (IE); **Declan Kiernan**, Co. Longford (IE); **Brian Rosekrans**, Lyons, CO (US)

WO WO2008046418 4/2008  
WO WO2008145965 12/2008

OTHER PUBLICATIONS

International Search Report and Written Opinion for PCT Application No. PCT/US2011/028118 dated Jul. 7, 2011, 11 pgs.

(Continued)

*Primary Examiner* — Richelle G Shelton

(74) *Attorney, Agent, or Firm* — Fletcher Yoder PC

(73) Assignee: **Covidien LP**, Mansfield, MA (US)

(57) **CLAIM**

(\*) Notice: This patent is subject to a terminal disclaimer.

We claim the ornamental design for a tracheostomy tube, as shown and described.

(\*\*) Term: **14 Years**

**DESCRIPTION**

(21) Appl. No.: **29/428,481**

FIG. 1 is a perspective view of the tracheostomy tube of the present invention;

(22) Filed: **Jul. 31, 2012**

FIG. 2 is a bottom view of the tracheostomy tube of FIG. 1;

(51) **LOC (10) Cl.** ..... **29-02**

FIG. 3 is a top view of the tracheostomy tube of FIG. 1;

(52) **U.S. Cl.**  
USPC ..... **D24/110.5**

FIG. 4 is a right side view of the tracheostomy tube of FIG. 1, the left side view being a mirror image thereof;

(58) **Field of Classification Search**  
USPC ..... D24/110, 110.1, 110.4, 110.5; 29/428;  
128/200.26, 207.14, 911, 912; 156/60;  
604/264  
CPC ..... A61M 16/04; A61M 16/0465  
See application file for complete search history.

FIG. 5 is a front view of the tracheostomy tube of FIG. 1;

FIG. 6 is a rear view of the tracheostomy tube of FIG. 1;

FIG. 7 is a perspective view of an alternative embodiment of the tracheostomy tube of the present invention;

FIG. 8 is a bottom view of the tracheostomy tube of FIG. 7;

FIG. 9 is a top view of the tracheostomy tube of FIG. 7;

FIG. 10 is a right side view of the tracheostomy tube of FIG. 7, the left side view being a mirror image thereof;

FIG. 11 is a front view of the tracheostomy tube of FIG. 7;

and,

FIG. 12 is a rear view of the tracheostomy tube of FIG. 7.

The broken line showing is included for the purpose of illustrating a boundary and forms no part of the claimed design.

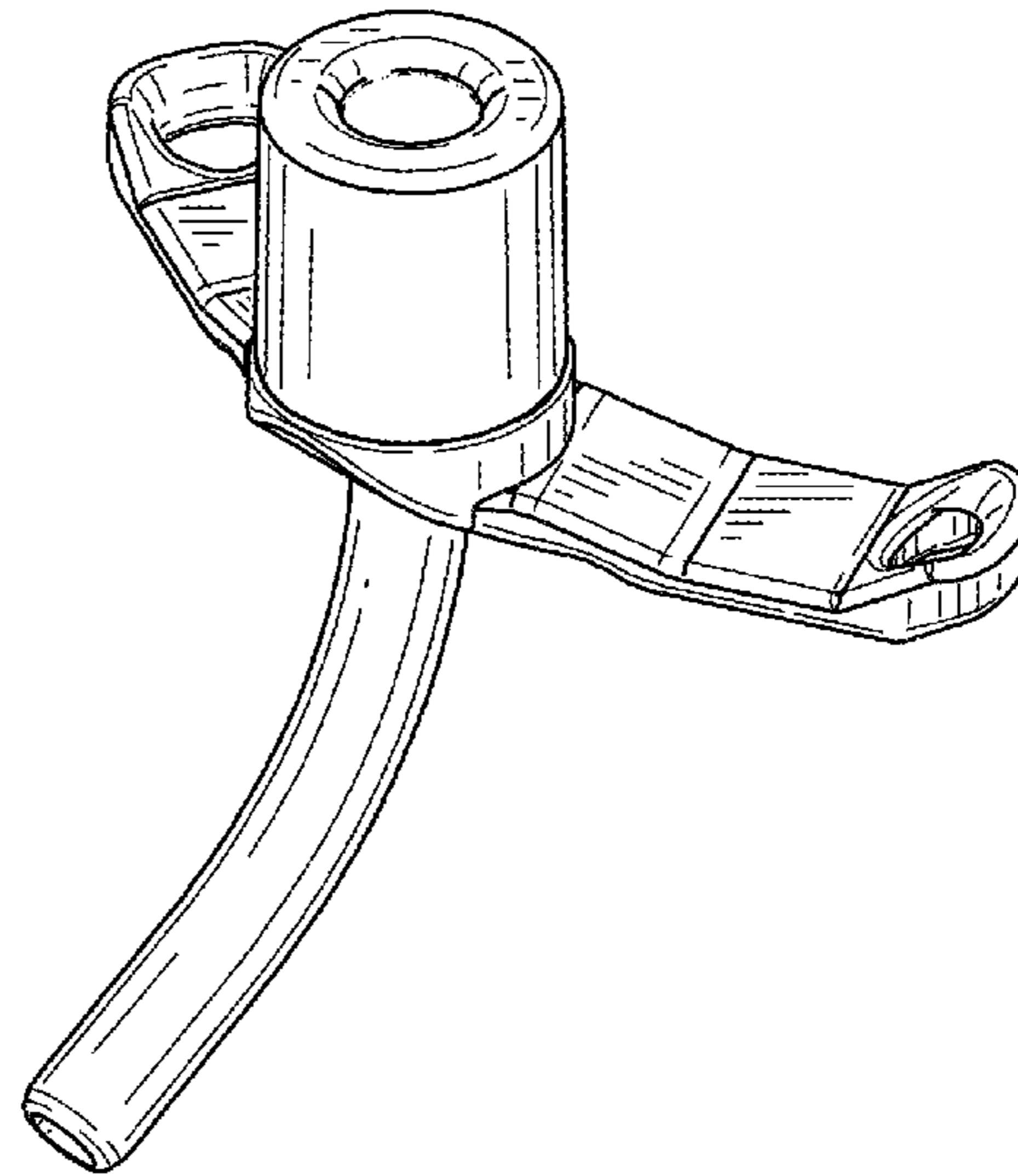
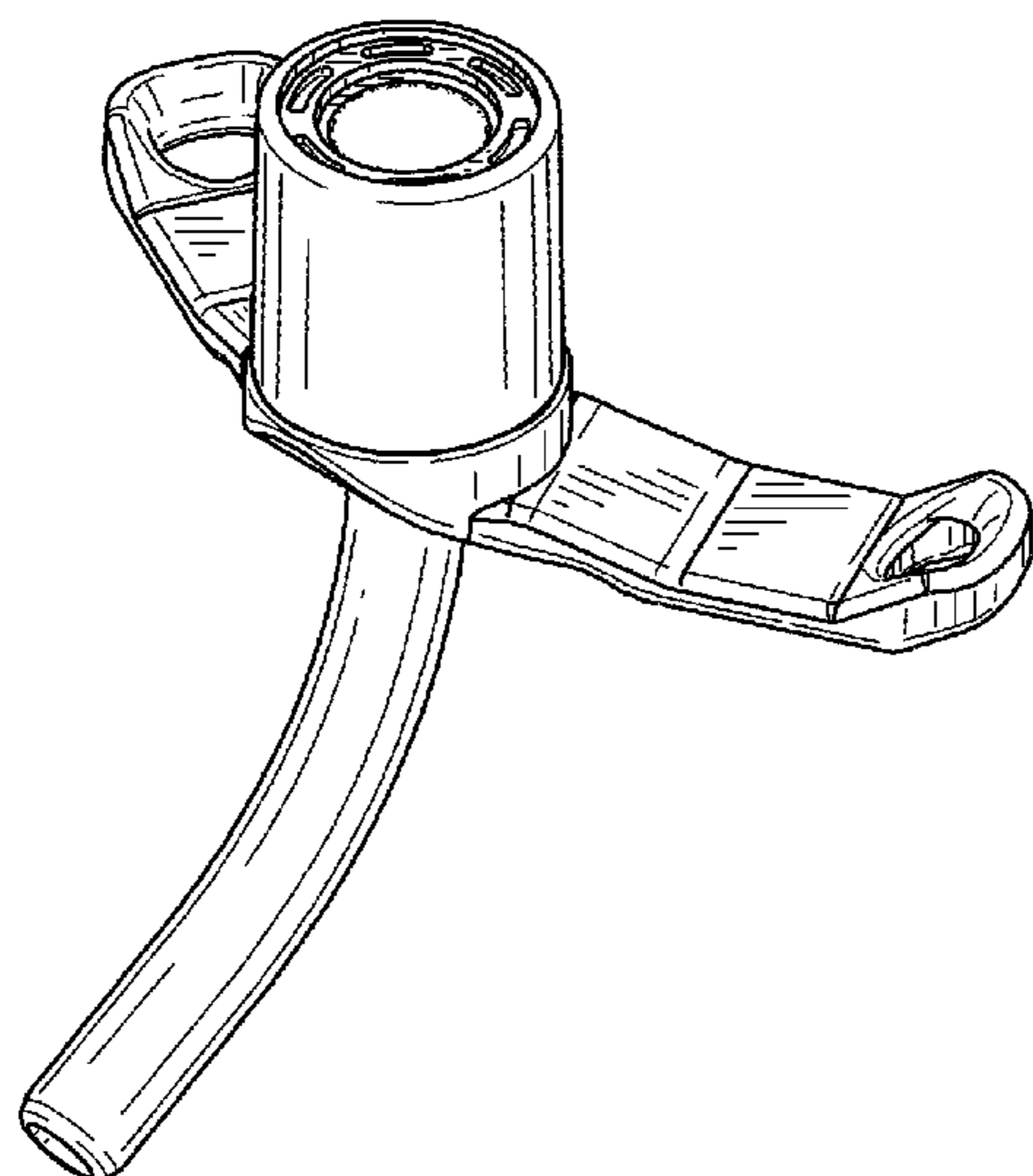
(56) **References Cited**

U.S. PATENT DOCUMENTS

4,270,778 A 6/1981 Brownell  
4,649,913 A 3/1987 Watson

(Continued)

**1 Claim, 8 Drawing Sheets**



(56)

References Cited

U.S. PATENT DOCUMENTS

4,817,598 A \* 4/1989 LaBombard ..... 128/207.14  
 4,834,087 A 5/1989 Coleman et al.  
 4,909,248 A 3/1990 McLennan  
 5,042,478 A 8/1991 Kopala et al.  
 5,052,386 A 10/1991 Fischer et al.  
 5,054,482 A \* 10/1991 Bales ..... 128/207.14  
 5,257,620 A 11/1993 Schermerhorn  
 5,305,742 A 4/1994 Styers et al.  
 5,423,776 A 6/1995 Haindl  
 5,806,515 A 9/1998 Bare et al.  
 6,071,255 A 6/2000 Calabrese  
 6,105,573 A 8/2000 Delaplane et al.  
 6,105,577 A 8/2000 Varner  
 6,772,758 B2 8/2004 Lambert  
 7,086,402 B2 8/2006 Peterson  
 7,328,702 B2 2/2008 Gostelow  
 7,448,387 B2 11/2008 Janatpour  
 D585,980 S \* 2/2009 Cabrera ..... D24/110.1  
 D586,459 S \* 2/2009 Cabrera ..... D24/110.1  
 D590,937 S \* 4/2009 Cabrera ..... D24/110  
 8,151,798 B2 4/2012 Thomas et al.  
 2002/0157674 A1 \* 10/2002 Shikani et al. .... 128/207.29  
 2003/0197372 A1 10/2003 Hoff et al.  
 2004/0094160 A1 5/2004 McDonald  
 2005/0005941 A1 1/2005 Bischoff  
 2005/0144761 A1 7/2005 Hatcher  
 2005/0161047 A1 7/2005 Briggs, III  
 2005/0188993 A1 9/2005 Steeves et al.  
 2006/0033331 A1 2/2006 Ziman  
 2006/0033334 A1 2/2006 Weber et al.  
 2006/0060201 A1 3/2006 Beagle et al.  
 2007/0083262 A1 4/2007 Matlock  
 2007/0255258 A1 11/2007 Matlock et al.  
 2008/0072911 A1 3/2008 Flagler et al.  
 2008/0142003 A1 6/2008 Depel  
 2008/0216830 A1 9/2008 Richards et al.  
 2009/0025730 A1 1/2009 Pinel

2009/0102192 A1 4/2009 Ziman  
 2009/0145439 A1 6/2009 Peichel  
 2009/0229614 A1 9/2009 Bateman  
 2009/0241963 A1 10/2009 MacMillan  
 2010/0108076 A1 5/2010 Chang  
 2010/0241073 A1 9/2010 Andersen et al.  
 2010/0307488 A1 12/2010 Poulsen et al.  
 2010/0319705 A1 12/2010 Thomas et al.  
 2011/0114097 A1 \* 5/2011 Schnell ..... 128/207.14  
 2011/0232648 A1 9/2011 Waldron  
 2011/0290254 A1 \* 12/2011 Waldron et al. .... 128/207.14  
 2012/0085350 A1 \* 4/2012 Chang et al. .... 128/207.14  
 2012/0103341 A1 5/2012 Behlmaier  
 2012/0118294 A1 \* 5/2012 Waldron et al. .... 128/207.14  
 2012/0227746 A1 9/2012 Harrington

OTHER PUBLICATIONS

Tracoe medical GmbH-Products: Twist; Apr. 1, 2010; 34 pgs.  
 Silicone Air Cuff Tracheostomy Tubes, Pediatric & Neonatal TT, Adjustable Neck Flange TT, Apr. 1, 2010, Arcadia Medical.  
 Silicone Cuffless Adult Tracheostomy Tubes, Apr. 1, 2010, Arcadia Medical.  
 Bivona Adult Mid-Range Aire-Cuf Adjustable Neck Flange Hyperflex, Apr. 1, 2010, Smiths Medical.  
 Rusch Tracheofix, Apr. 1, 2010, Teleflex Medical—Rusch.  
 Rusch Adjustable Flange Pediatric, Apr. 1, 2010, Teleflex Medical—Rusch.  
 Rusch QuickTrach, Apr. 1, 2010, Teleflex Medical—Rusch.  
 Rusch Trach Cap & Conn. Set, Apr. 1, 2010, Teleflex Medical—Rusch.  
 Rusch Trach Collar, Apr. 1, 2010, Teleflex Medical—Rusch.  
 Rusch PercuQuick Trach Set, Apr. 1, 2010, Teleflex Medical—Rusch.  
 Vario, Apr. 1, 2010, Tracoe Medical GmbH.  
 U.S. Appl. No. 29/428,460, filed Jul. 31, 2012, Seamus Maguire.  
 Japanese Office Action for Application No. 2013-27401 issued Apr. 21, 2014.

\* cited by examiner

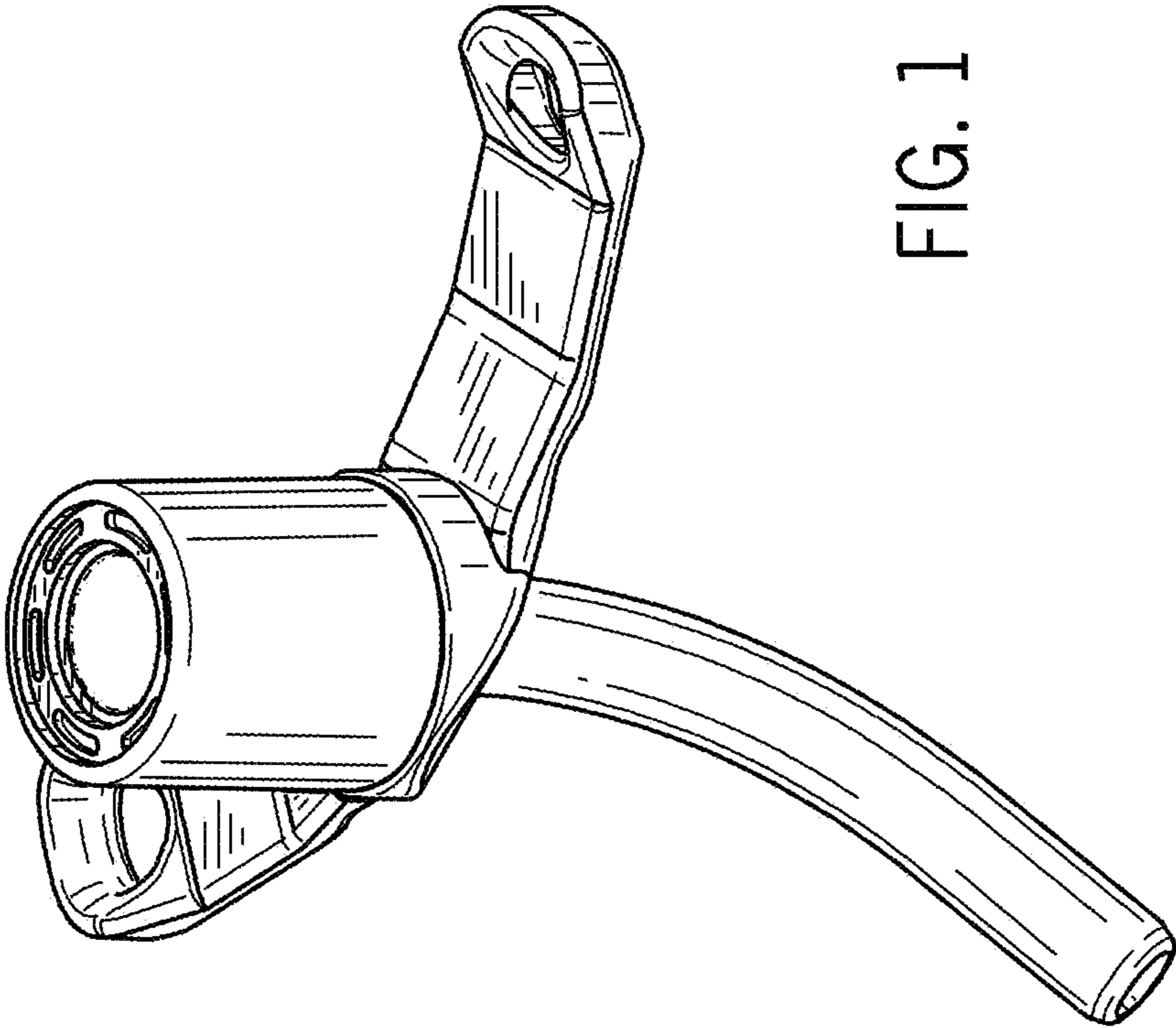


FIG. 1

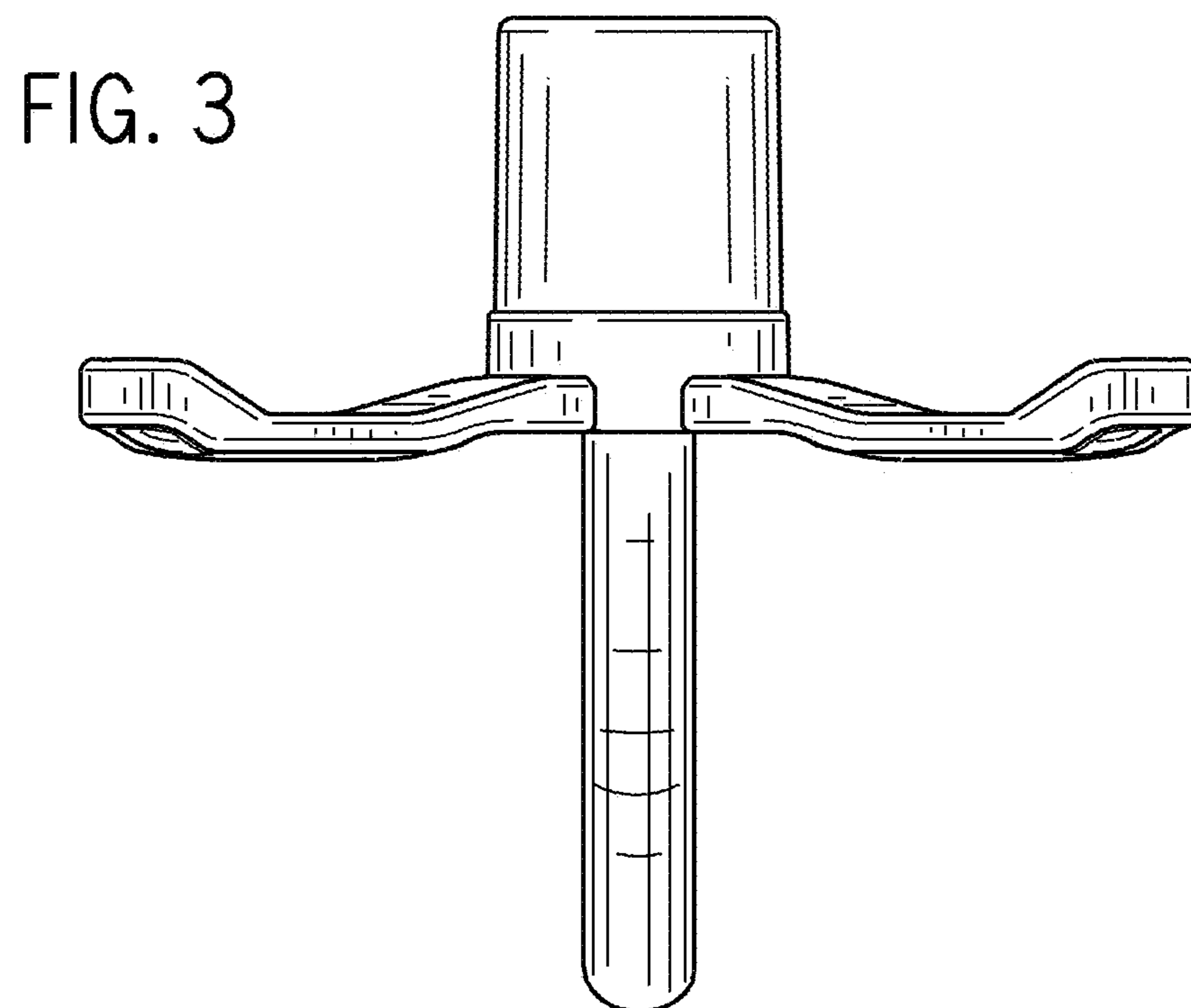
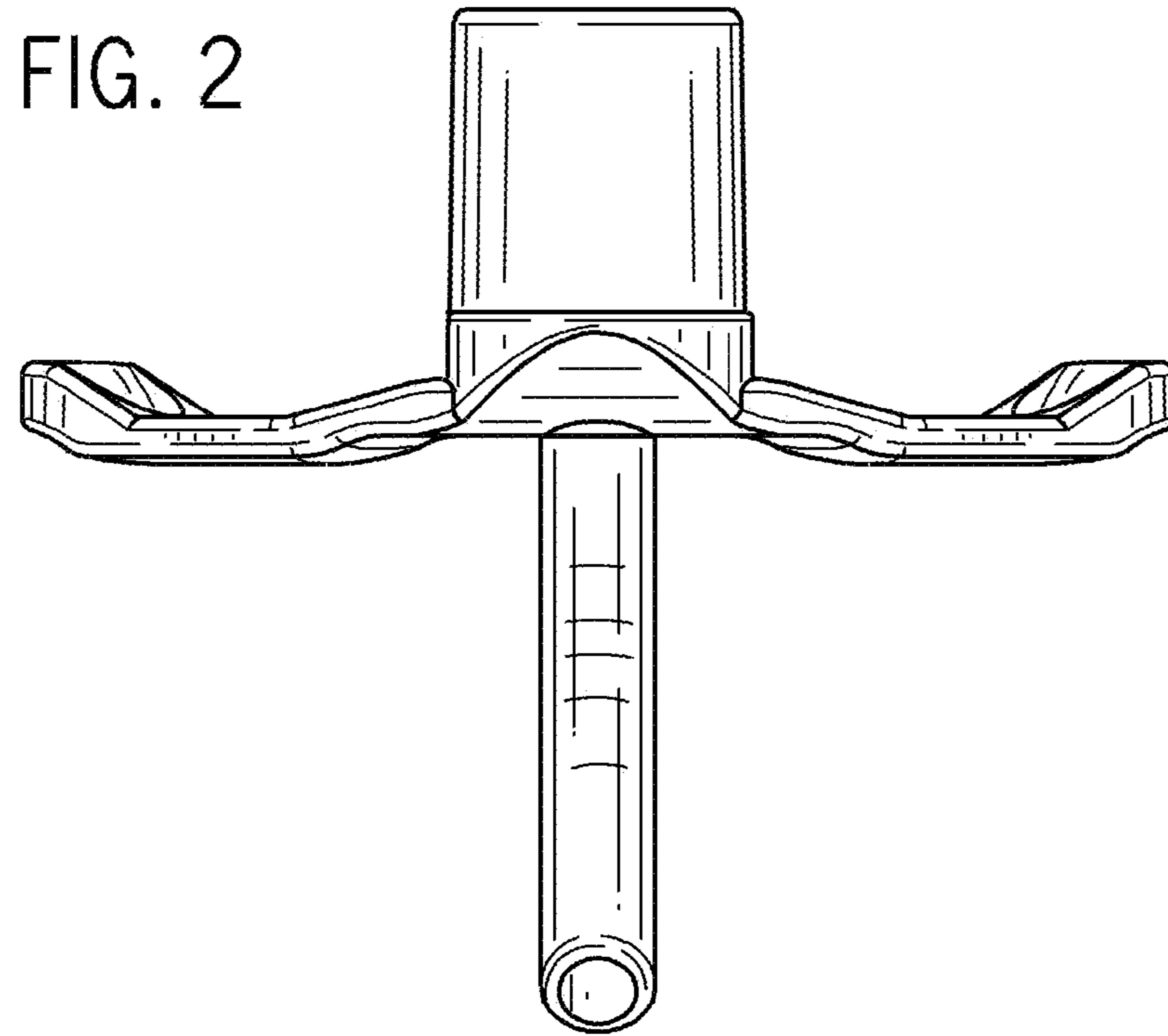
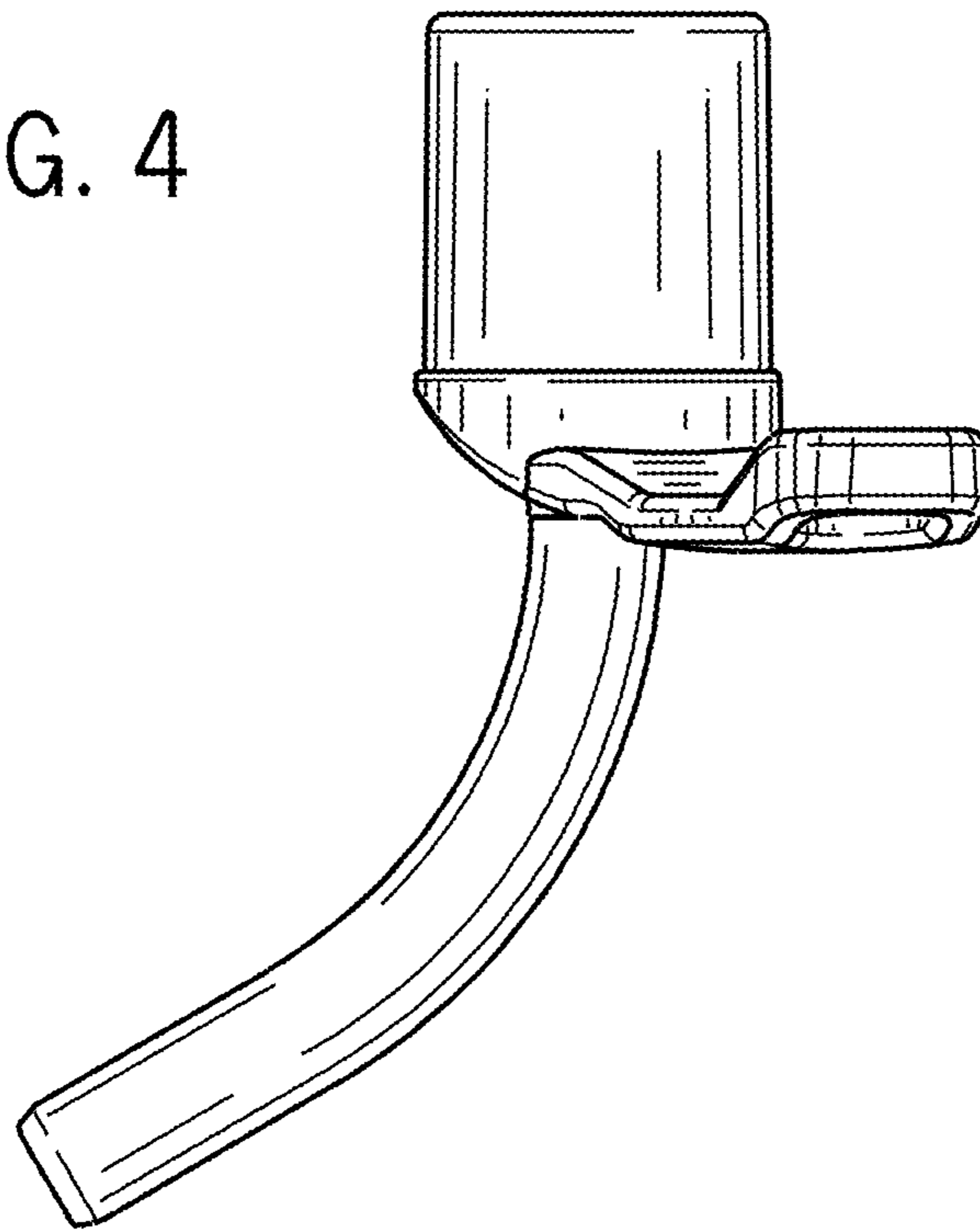


FIG. 4



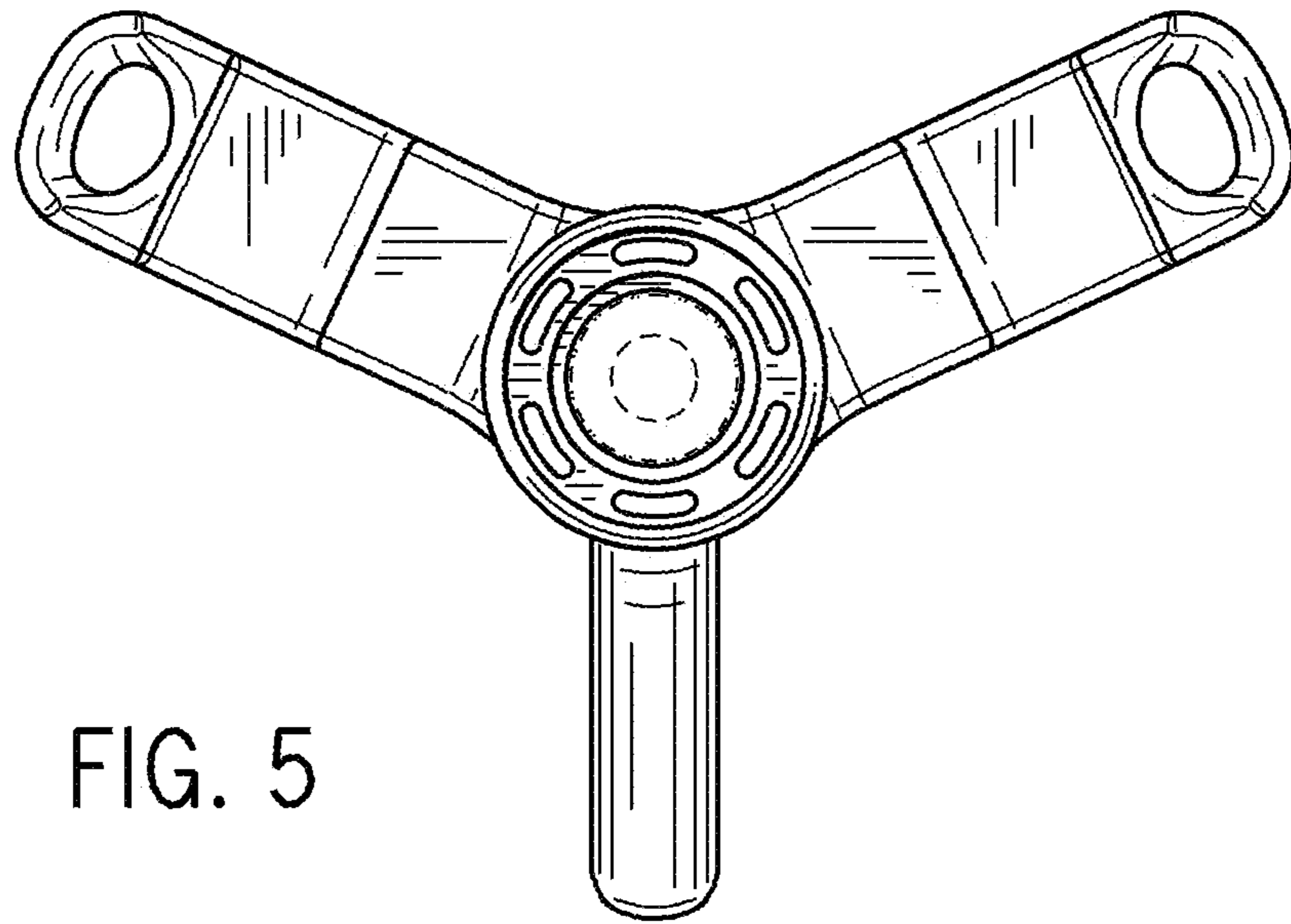


FIG. 5

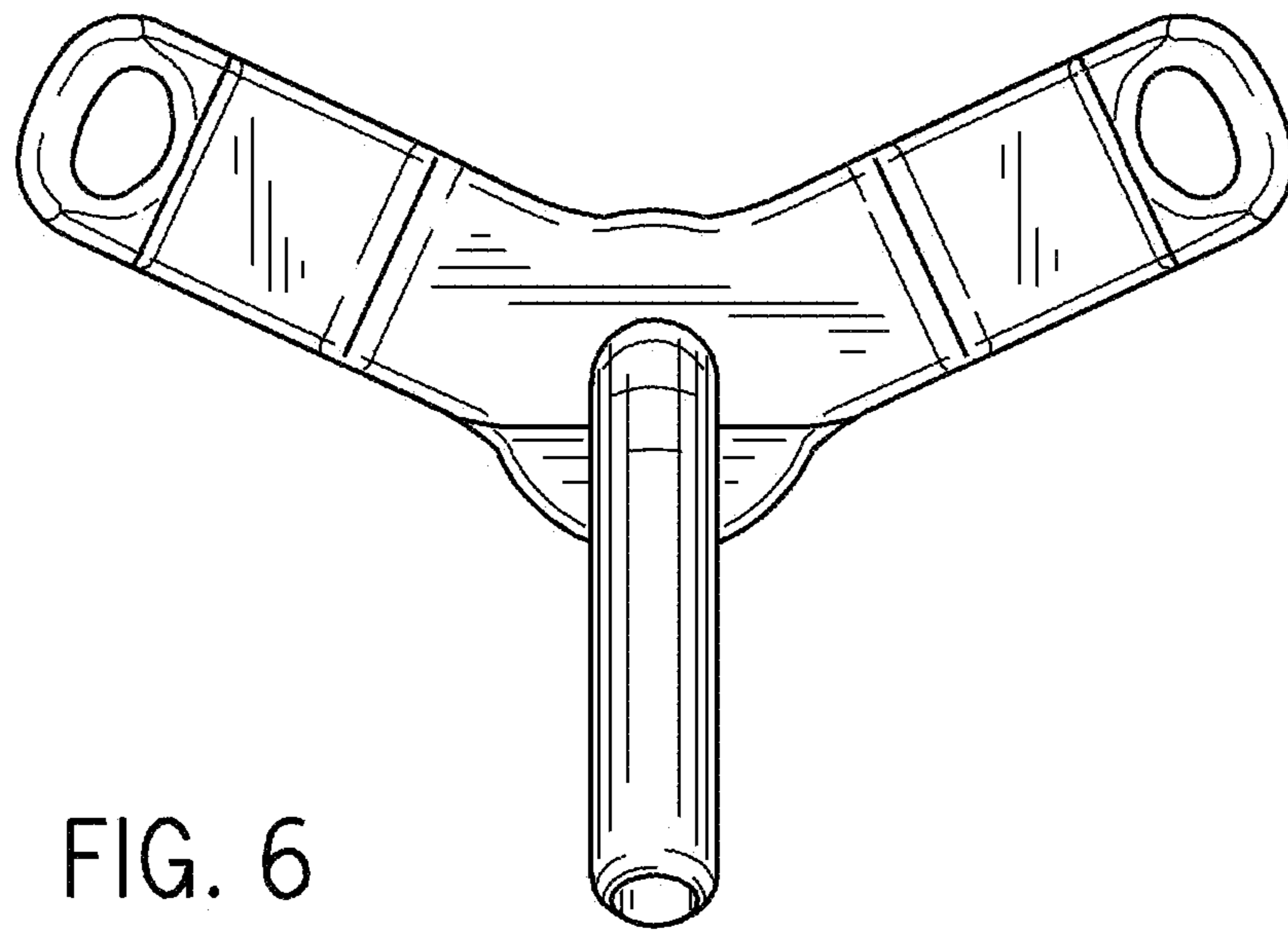


FIG. 6

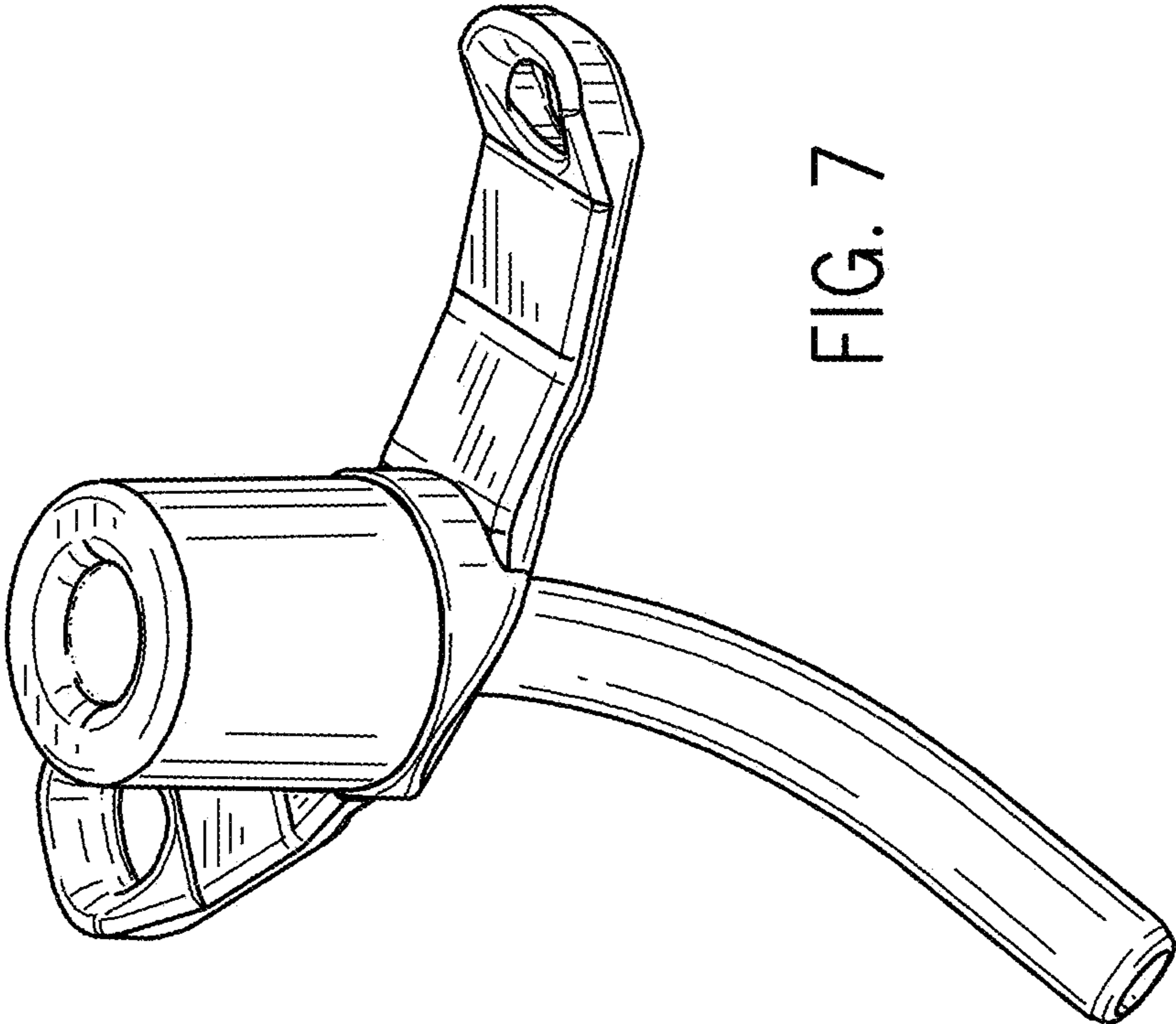


FIG. 7

FIG. 8

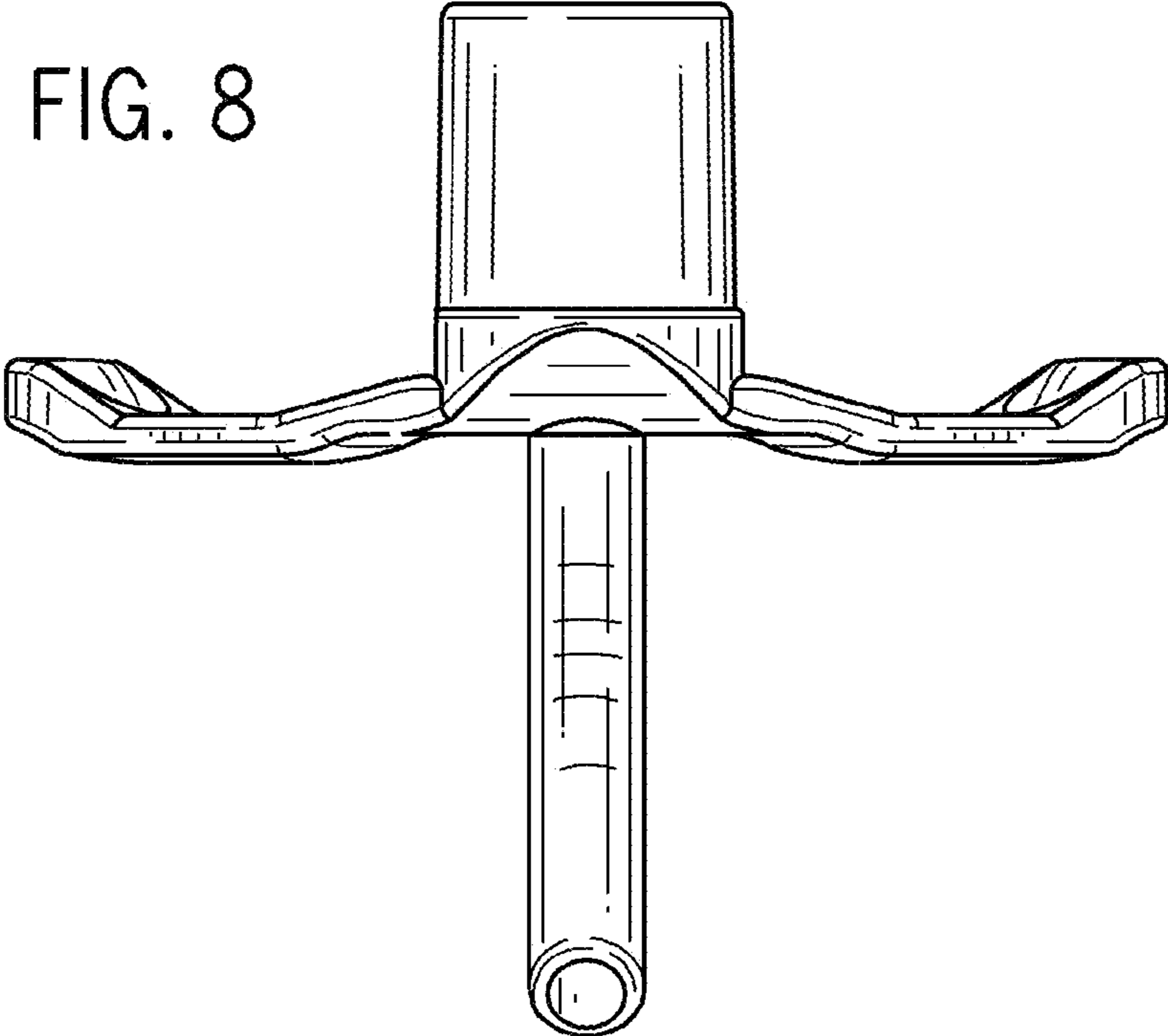


FIG. 9

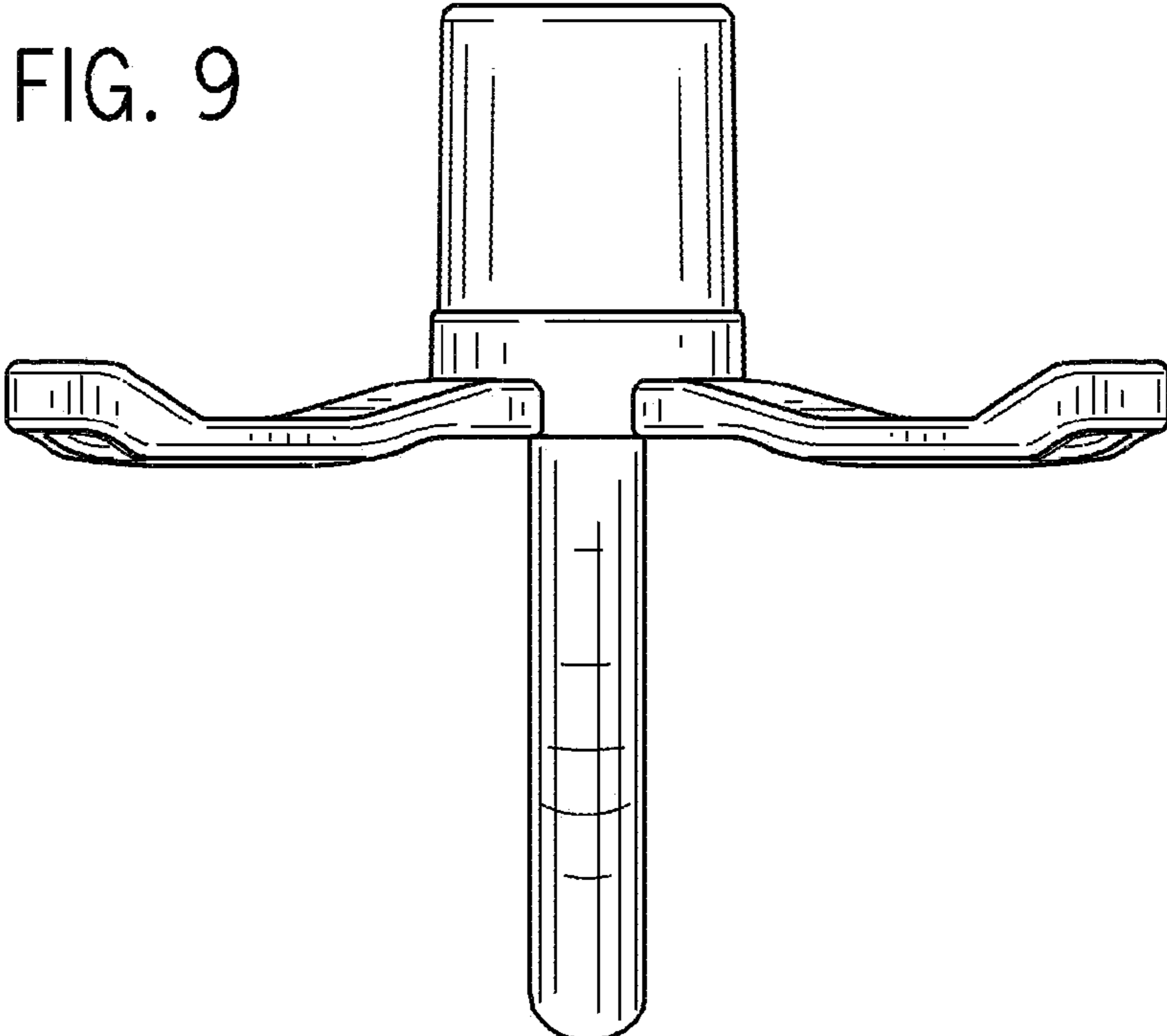
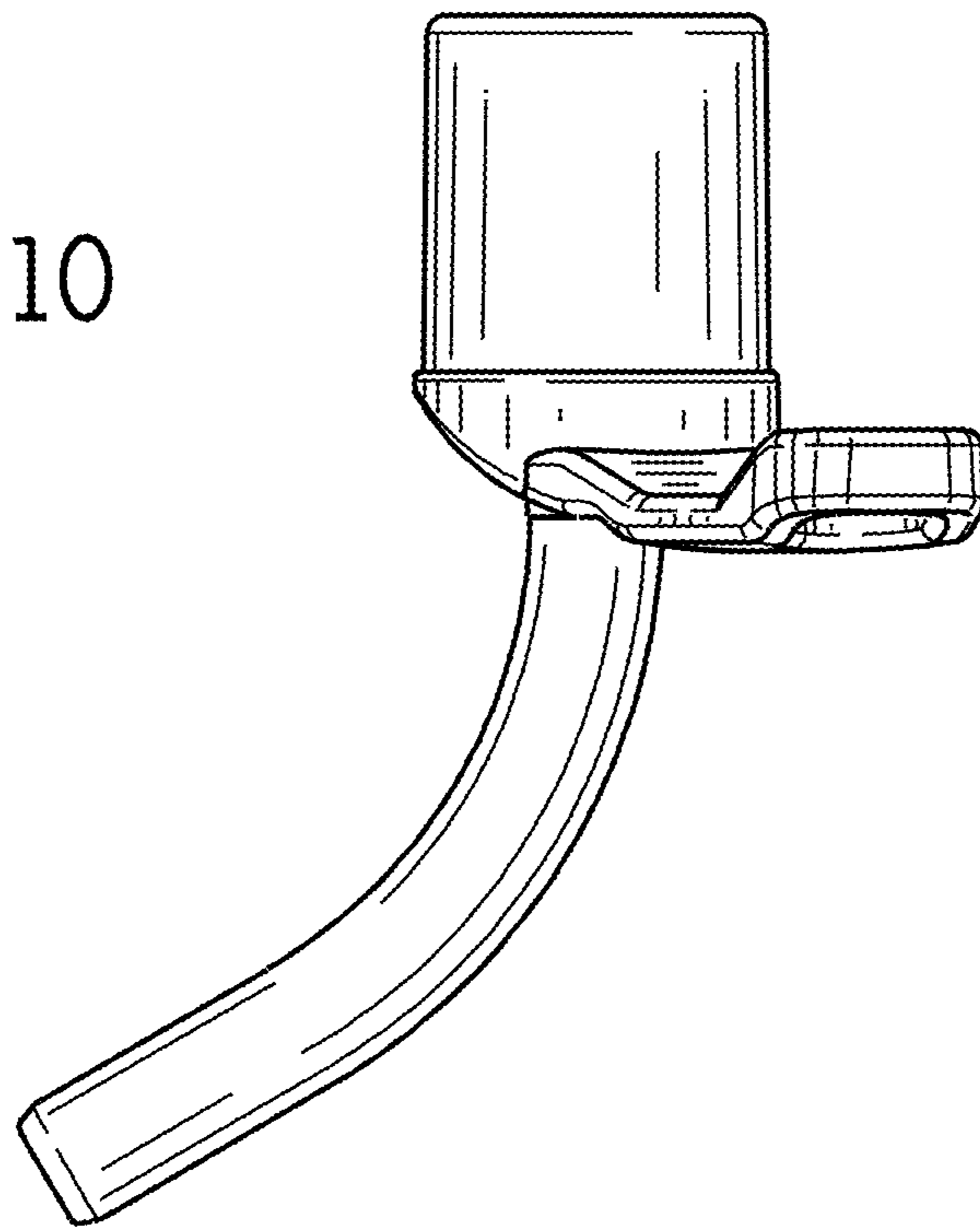




FIG. 10



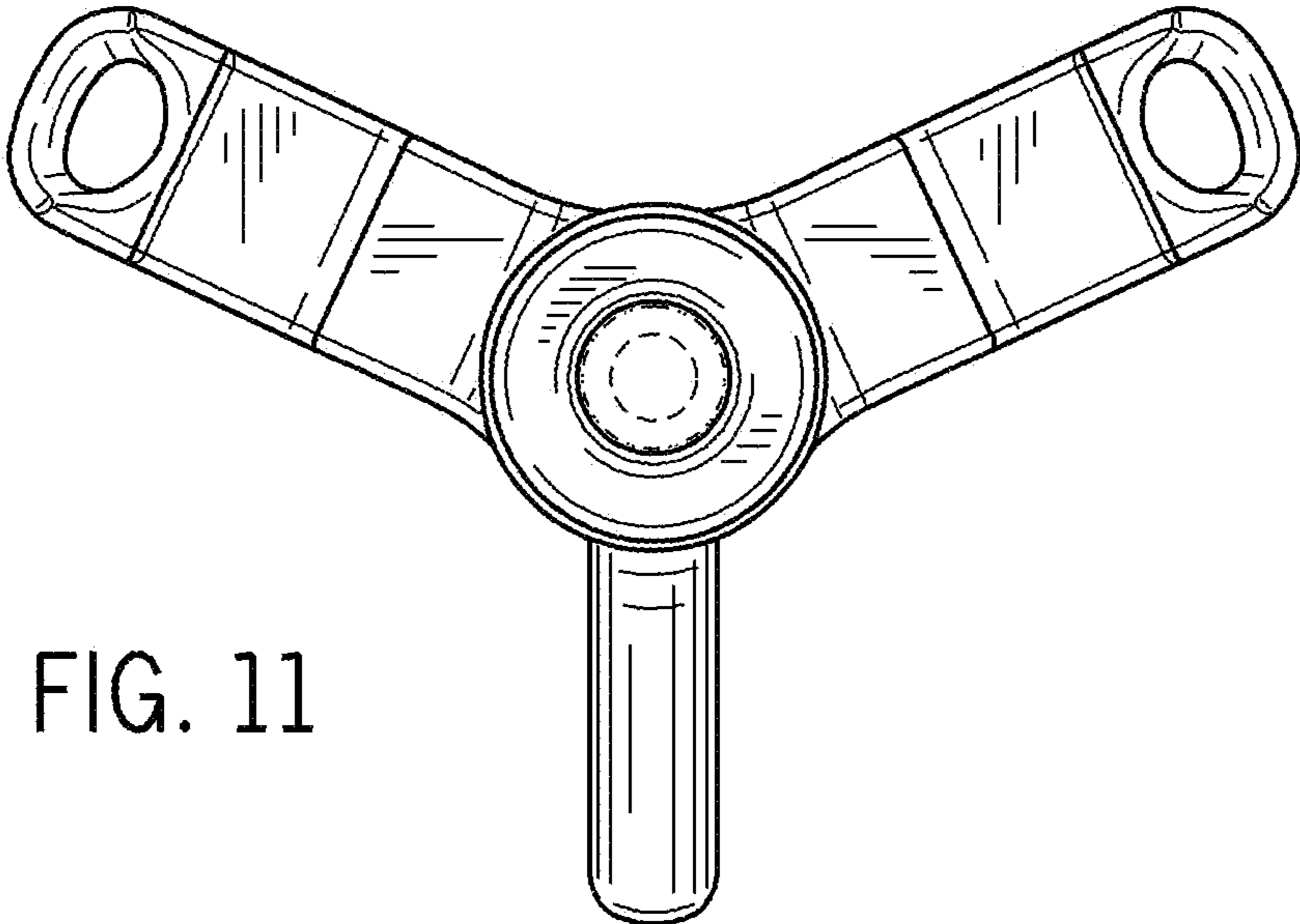


FIG. 11

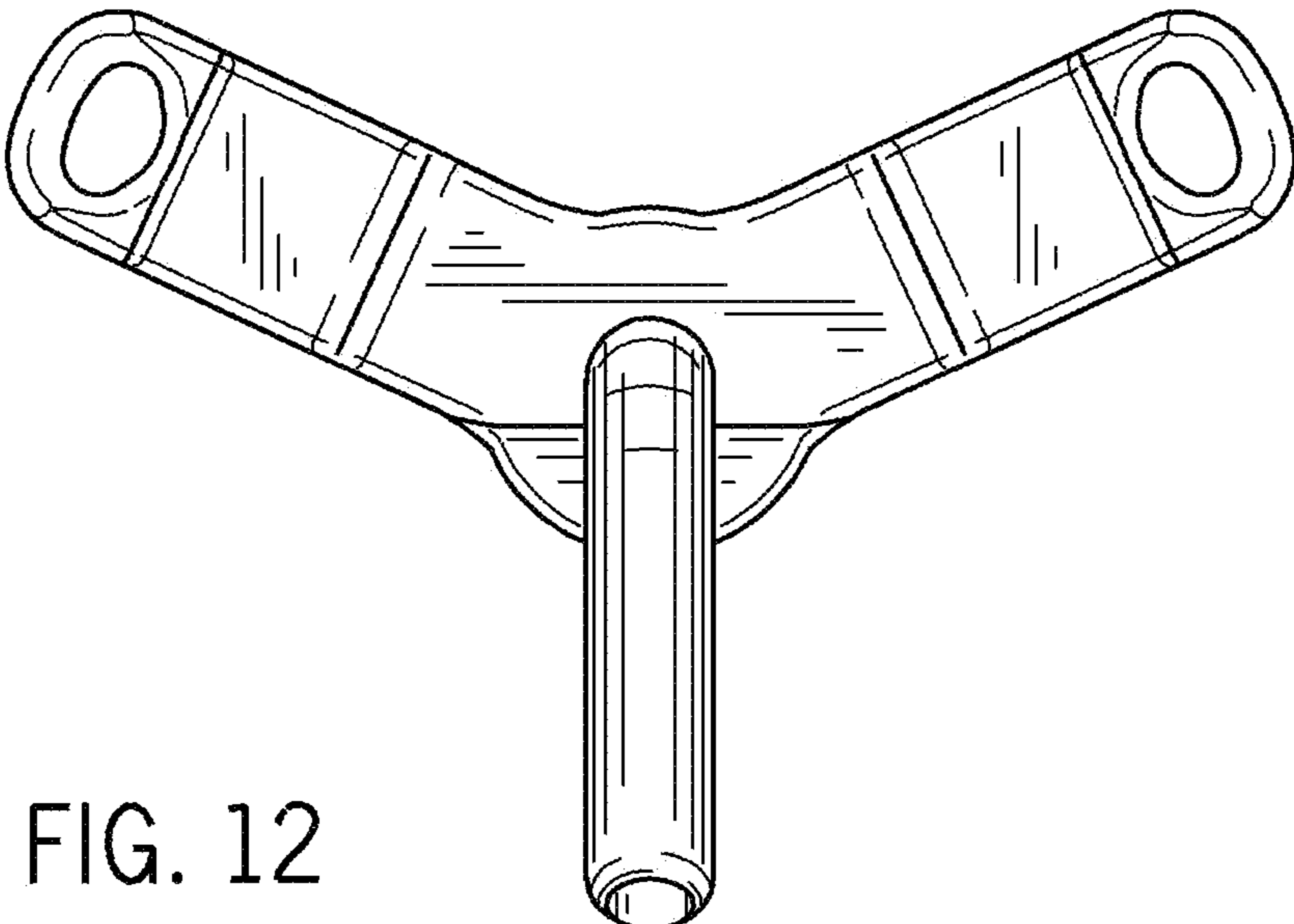


FIG. 12