



US00D753817S

(12) **United States Design Patent**
Maguire et al.

(10) **Patent No.:** **US D753,817 S**
(45) **Date of Patent:** **** Apr. 12, 2016**

(54) **TRACHEOSTOMY TUBE**

(75) Inventors: **Seamus Maguire**, Athlone (IE); **Paul Waldron**, Sydney (AU); **Jim Stephenson**, Galway (IE); **Steven Grate**, St. Peters, MO (US); **Ruben Antunez**, Longmont, CO (US); **Kamlesh Sethiya**, Athlone (IE); **Declan Kiernan**, Co. Longford (IE); **Brian Rosekrans**, Lyons, CO (US)

(73) Assignee: **Covidien LP**, Mansfield, MA (US)

(**) Term: **14 Years**

(21) Appl. No.: **29/428,460**

(22) Filed: **Jul. 31, 2012**

(51) **LOC (10) Cl.** **29-02**

(52) **U.S. Cl.**
USPC **D24/110.5**

(58) **Field of Classification Search**
USPC D24/110, 110.1, 110.4, 110.5; 29/428;
156/60; 128/200.26, 207.14, 911, 912;
604/264
CPC A61M 16/0497; A61M 16/04; A61M
16/0465

See application file for complete search history.

(56) **References Cited**

U.S. PATENT DOCUMENTS

4,270,778 A 6/1981 Brownell
4,649,913 A 3/1987 Watson

(Continued)

FOREIGN PATENT DOCUMENTS

WO WO2008046418 4/2008
WO WO2008145965 12/2008

OTHER PUBLICATIONS

U.S. Appl. No. 29/428,481, filed Jul. 31, 2012, Maguire et al.

(Continued)

Primary Examiner — Richelle G Shelton

(74) *Attorney, Agent, or Firm* — Fletcher Yoder PC

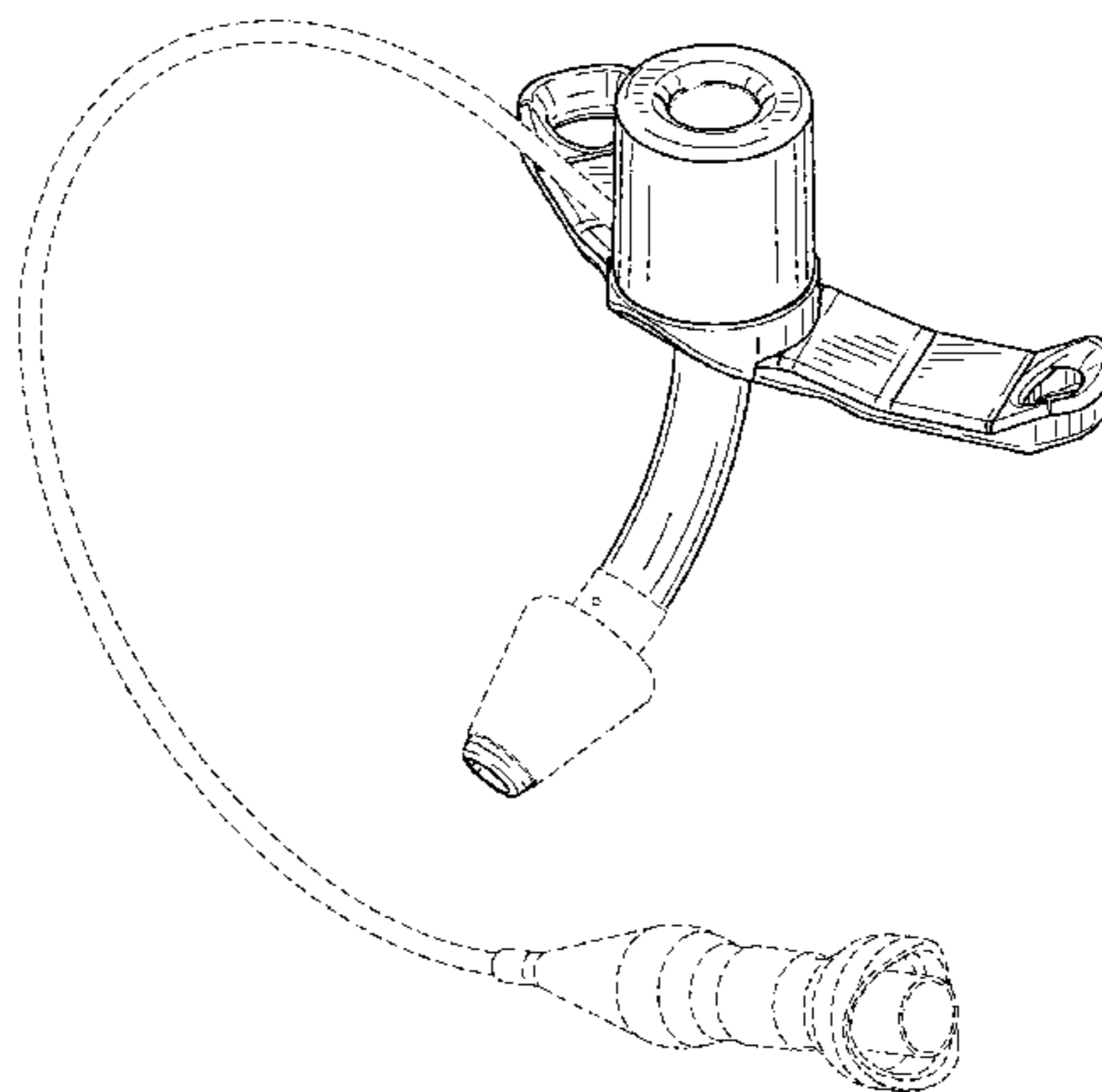
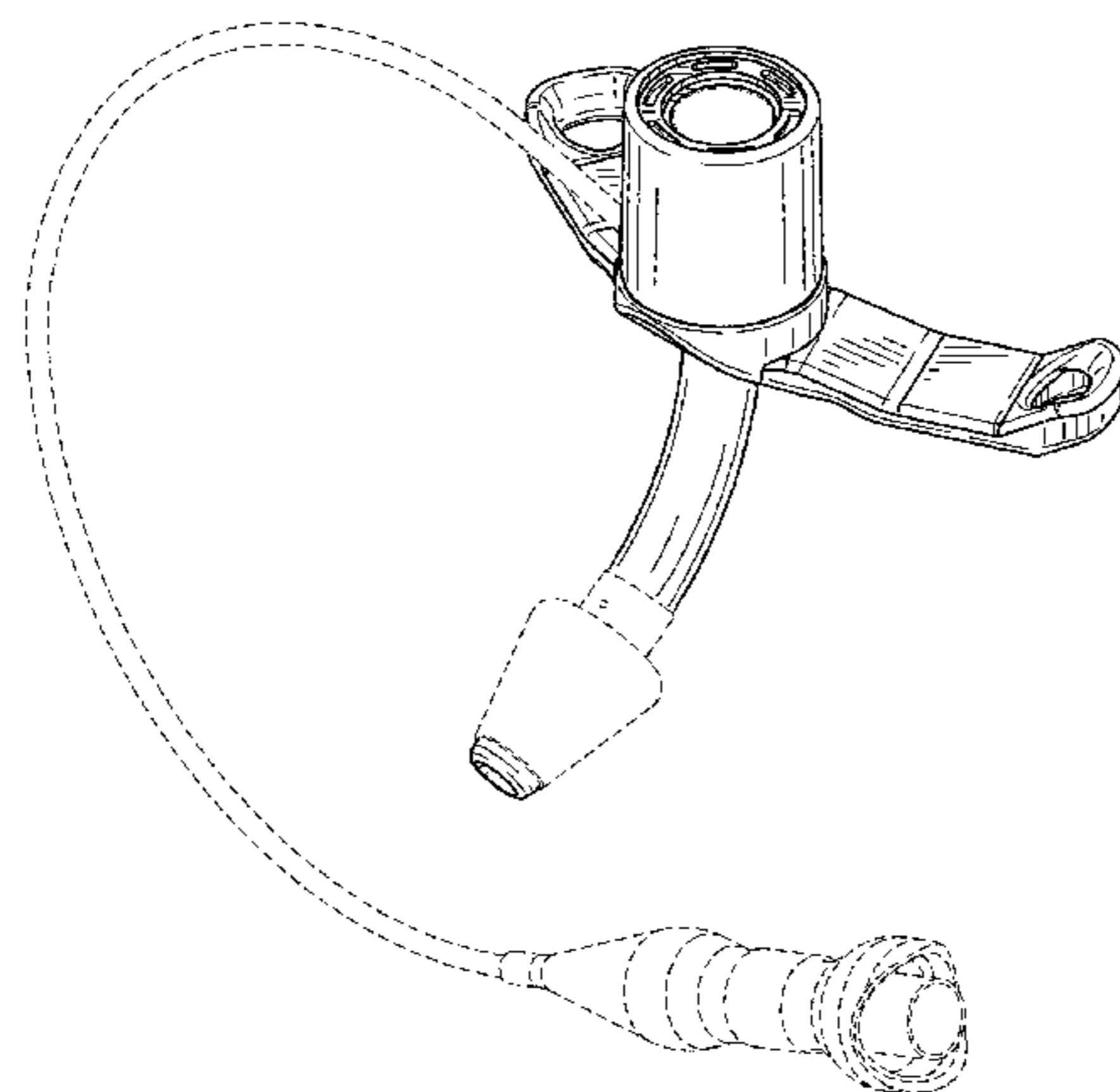
(57) **CLAIM**

We claim the ornamental design for a tracheostomy tube, as shown and described.

DESCRIPTION

FIG. 1 is a perspective view of the tracheostomy tube of the present invention;
FIG. 2 is a bottom view of the tracheostomy tube of FIG. 1;
FIG. 3 is a top view of the tracheostomy tube of FIG. 1 shown in an alternate environment;
FIG. 4 is a right side view of the tracheostomy tube of FIG. 1 shown in an alternate environment;
FIG. 5 is a left side view of the tracheostomy tube of FIG. 1 shown in an alternate environment;
FIG. 6 is a front view of the tracheostomy tube of FIG. 1 shown in an alternate environment;
FIG. 7 is a rear view of the tracheostomy tube of FIG. 1 shown in an alternate environment;
FIG. 8 is a perspective view of an alternative embodiment of the tracheostomy tube of the present invention;
FIG. 9 is a bottom view of the tracheostomy tube of FIG. 8;
FIG. 10 is a top view of the tracheostomy tube of FIG. 8 shown in an alternate environment;
FIG. 11 is a right side view of the tracheostomy tube of FIG. 8 shown in an alternate environment;
FIG. 12 is a left side view of the tracheostomy tube of FIG. 8 shown in an alternate environment;
FIG. 13 is a front view of the tracheostomy tube of FIG. 8 shown in an alternate environment; and,
FIG. 14 is a rear view of the tracheostomy tube of FIG. 8 shown in an alternate environment.
The broken line showing immediately adjacent the shaded areas is included for the purpose of illustrating the bounds of the claimed design, while all other broken lines are directed to environmental structures. The broken line showing and all within form no part of the claimed design.

1 Claim, 10 Drawing Sheets



(56)

References Cited

U.S. PATENT DOCUMENTS

4,817,598 A * 4/1989 LaBombard 128/207.14
 4,834,087 A 5/1989 Coleman et al.
 4,909,248 A 3/1990 McLennan
 5,042,478 A 8/1991 Kopala et al.
 5,052,386 A 10/1991 Fischer et al.
 5,054,482 A * 10/1991 Bales 128/207.14
 5,257,620 A 11/1993 Schermerhorn
 5,305,742 A 4/1994 Styers et al.
 5,423,776 A 6/1995 Haindl
 5,806,515 A 9/1998 Bare et al.
 6,071,255 A 6/2000 Calabrese
 6,105,573 A 8/2000 Delaplane et al.
 6,105,577 A 8/2000 Varner
 6,772,758 B2 8/2004 Lambert
 7,086,402 B2 8/2006 Peterson
 7,328,702 B2 2/2008 Gostelow
 7,448,387 B2 11/2008 Janatpour
 D585,980 S * 2/2009 Cabrera D24/110.1
 D586,459 S * 2/2009 Cabrera D24/110.1
 D590,937 S * 4/2009 Cabrera D24/110
 8,151,798 B2 4/2012 Thomas et al.
 2002/0157674 A1 * 10/2002 Shikani et al. 128/207.29
 2003/0197372 A1 10/2003 Hoff et al.
 2004/0094160 A1 5/2004 McDonald
 2005/0005941 A1 1/2005 Bischoff
 2005/0144761 A1 7/2005 Hatcher
 2005/0161047 A1 7/2005 Briggs, III
 2005/0188993 A1 9/2005 Steeves et al.
 2006/0033331 A1 2/2006 Ziman
 2006/0033334 A1 2/2006 Weber et al.
 2006/0060201 A1 3/2006 Beagle et al.
 2007/0083262 A1 4/2007 Matlock
 2007/0255258 A1 11/2007 Matlock et al.
 2008/0072911 A1 3/2008 Flagler et al.
 2008/0142003 A1 6/2008 Depel
 2008/0216830 A1 9/2008 Richards et al.
 2009/0025730 A1 1/2009 Pinel
 2009/0102192 A1 4/2009 Ziman

2009/0145439 A1 6/2009 Peichel
 2009/0229614 A1 9/2009 Bateman
 2009/0241963 A1 10/2009 MacMillan
 2010/0108076 A1 5/2010 Chang
 2010/0241073 A1 9/2010 Anderson et al.
 2010/0307488 A1 12/2010 Poulsen et al.
 2010/0319705 A1 12/2010 Thomas et al.
 2011/0114097 A1 * 5/2011 Schnell 128/207.14
 2011/0232648 A1 9/2011 Waldron
 2011/0290254 A1 * 12/2011 Waldron et al. 128/207.14
 2012/0085350 A1 * 4/2012 Chang et al. 128/207.14
 2012/0103341 A1 5/2012 Behlmaier
 2012/0118294 A1 * 5/2012 Waldron et al. 128/207.14
 2012/0227746 A1 9/2012 Harrington

OTHER PUBLICATIONS

International Search Report and Written Opinion for PCT Application No. PCT/US2011/028118 dated Jul. 7, 2011, 11 pgs.
 Tracoe medical GmbH-Products: Twist; Apr. 1, 2010; 34 pgs.
 Silicone Air Cuff Tracheostomy Tubes, Pediatric & Neonatal TT, Adjustable Neck Flange TT, Apr. 1, 2010, Arcadia Medical.
 Silicone Cuffless Adult Tracheostomy Tubes, Apr. 1, 2010, Arcadia Medical.
 Bivona Adult Mid-Range Aire-Cuf Adjustable Neck Flange Hyperflex, Apr. 1, 2010, Smiths Medical.
 Rusch Tracheofix, Apr. 1, 2010, Teleflex Medical—Rusch.
 Rusch Adjustable Flange Pediatric, Apr. 1, 2010, Teleflex Medical—Rusch.
 Rusch QuickTrach, Apr. 1, 2010, Teleflex Medical—Rusch.
 Rusch Trach Cap & Conn. Set, Apr. 1, 2010, Teleflex Medical—Rusch.
 Rusch Trach Collar, Apr. 1, 2010, Teleflex Medical—Rusch.
 Rusch PercuQuick Trach Set, Apr. 1, 2010, Teleflex Medical—Rusch.
 Vario, Apr. 1, 2010, Tracoe Medical GmbH.
 Japanese Office Action for Application No. 2013-27401 issued Apr. 21, 2014.

* cited by examiner

FIG. 1

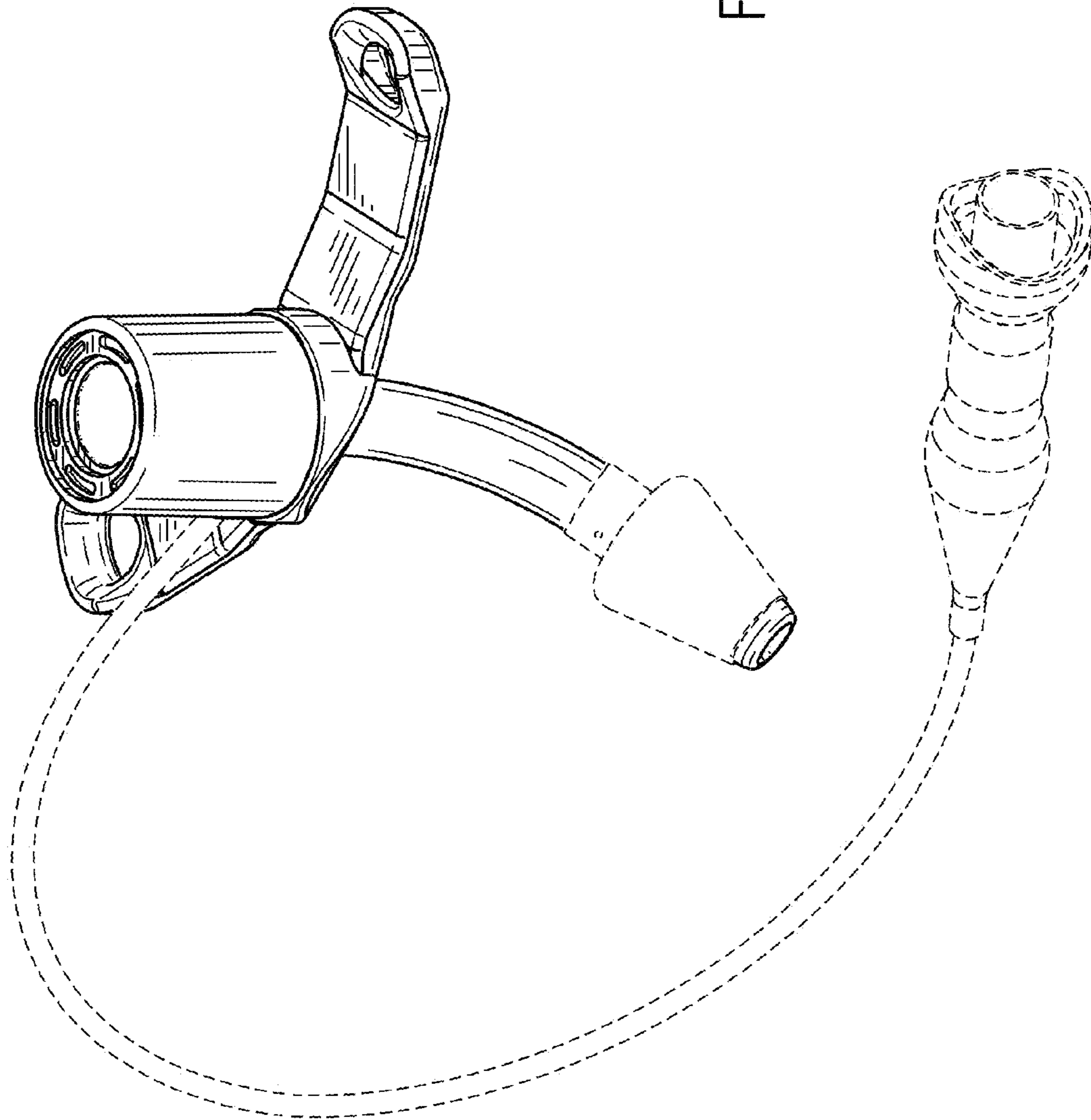


FIG. 2

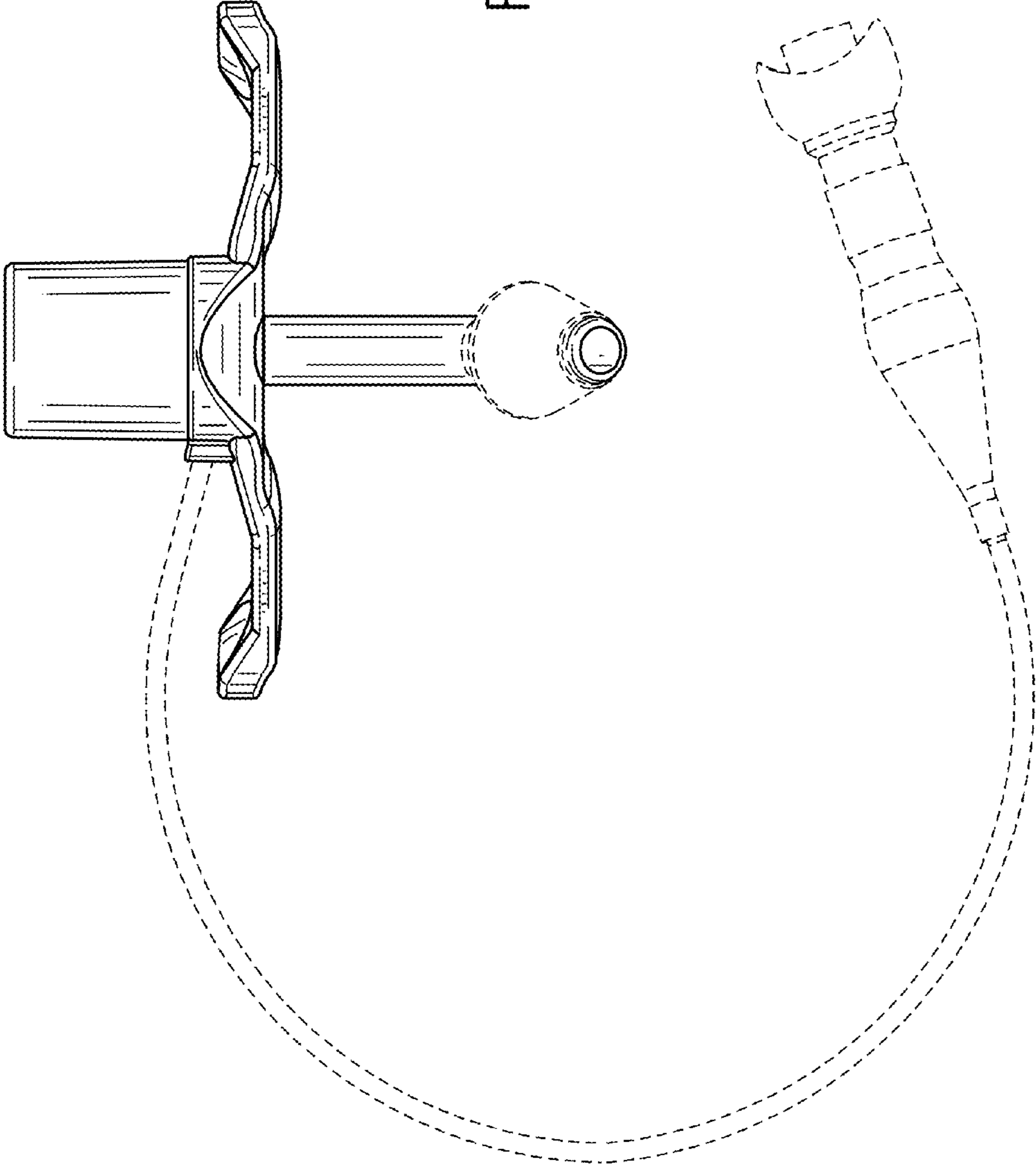


FIG. 3

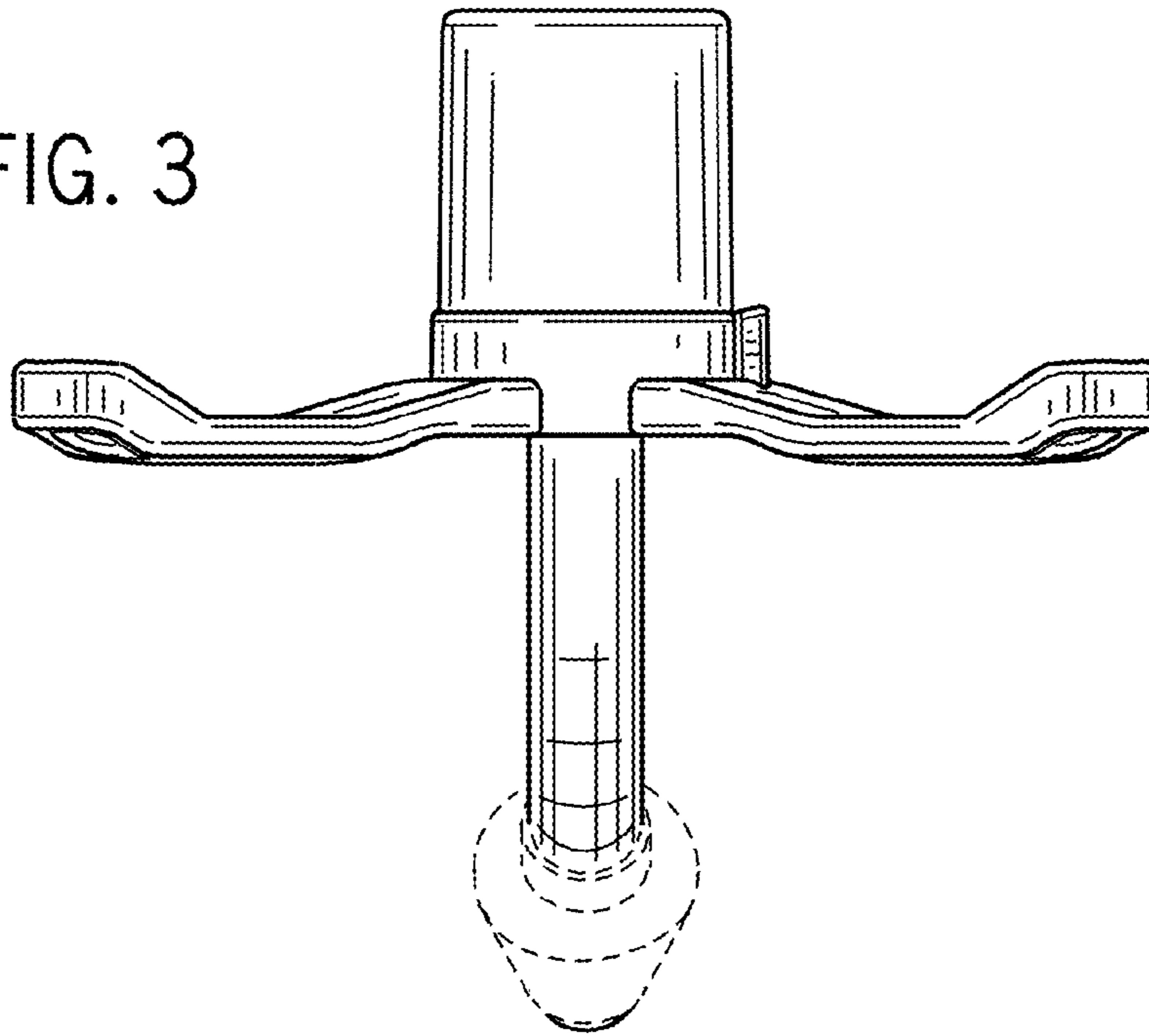
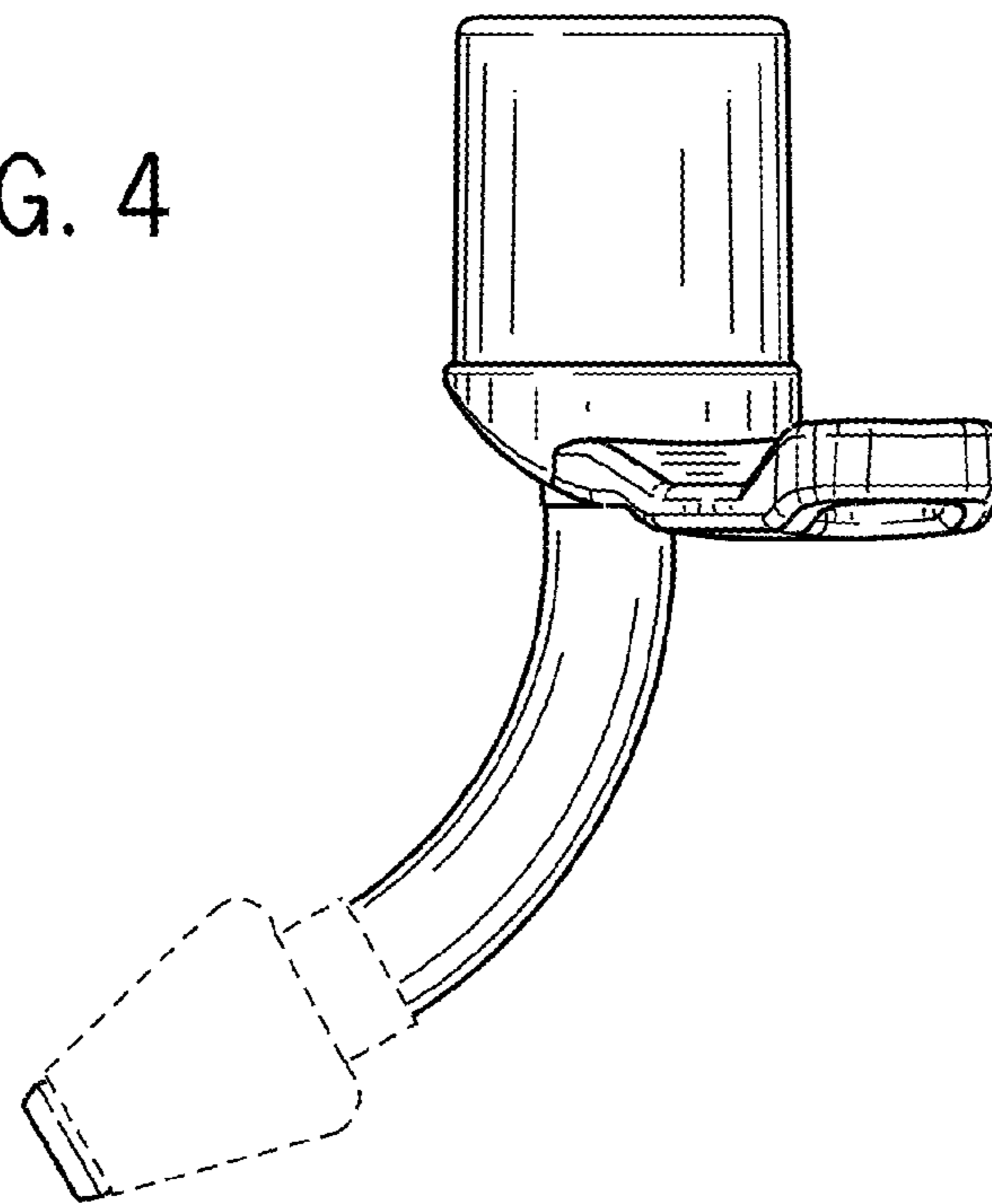


FIG. 4



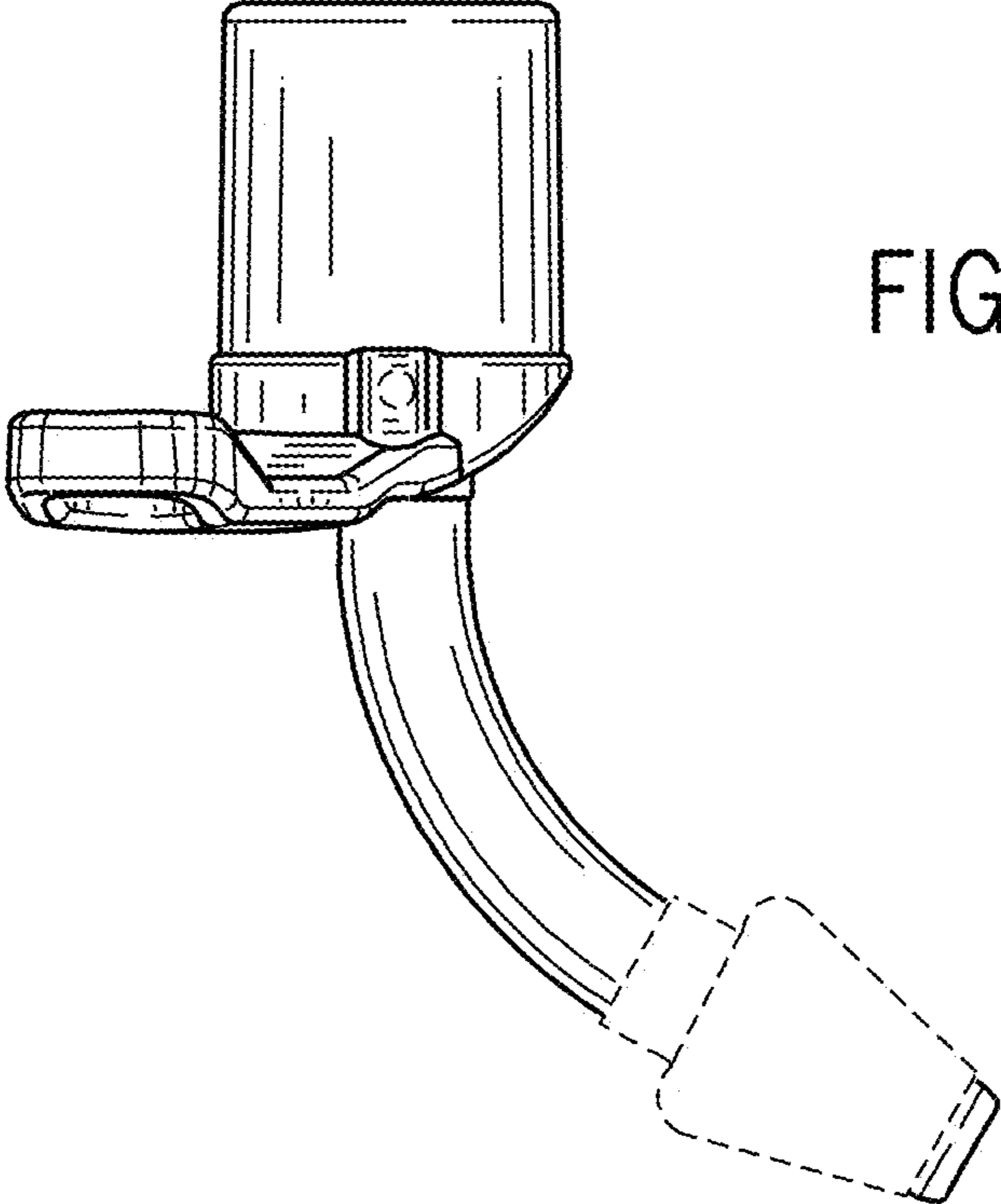


FIG. 5

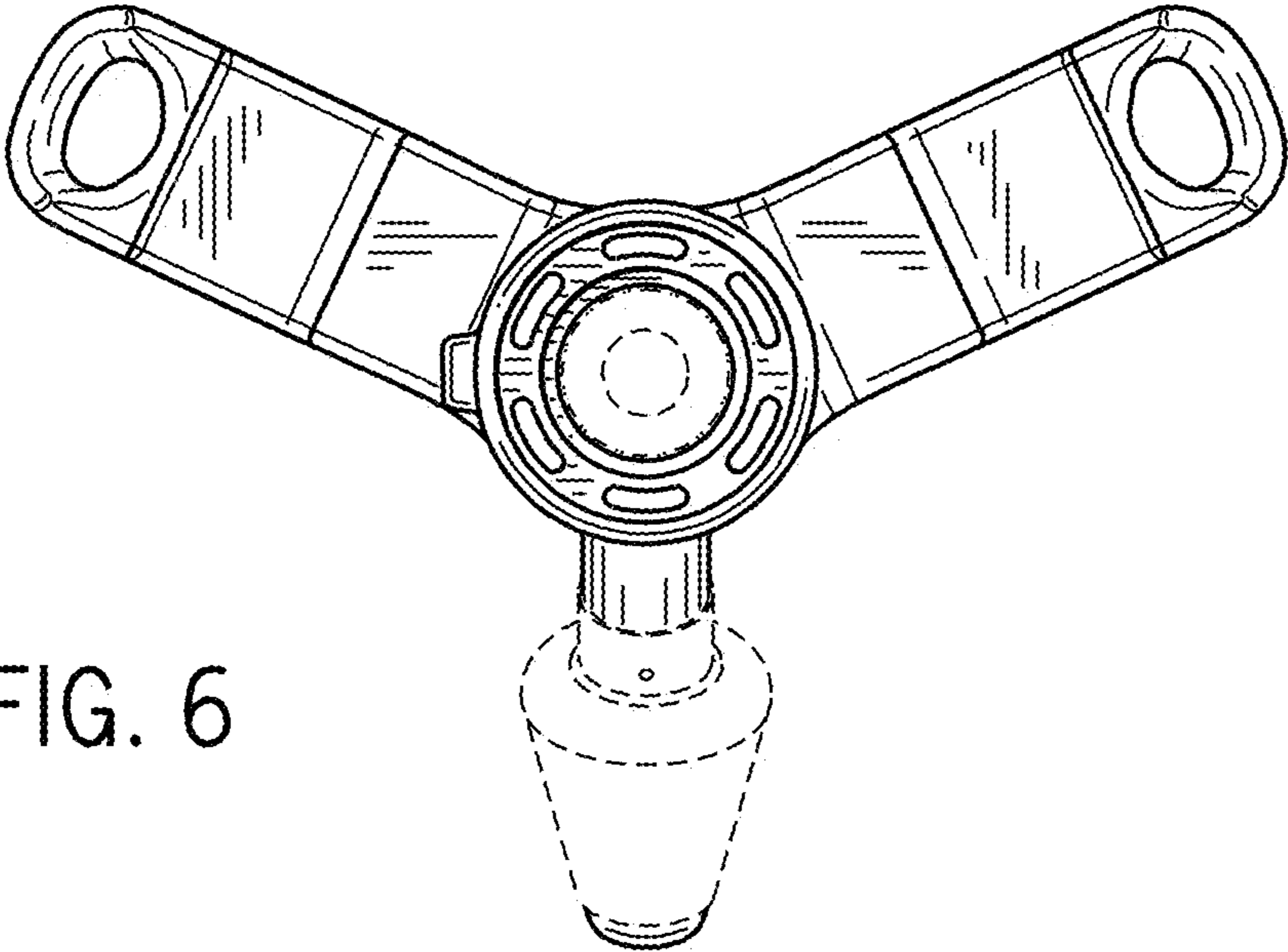


FIG. 6

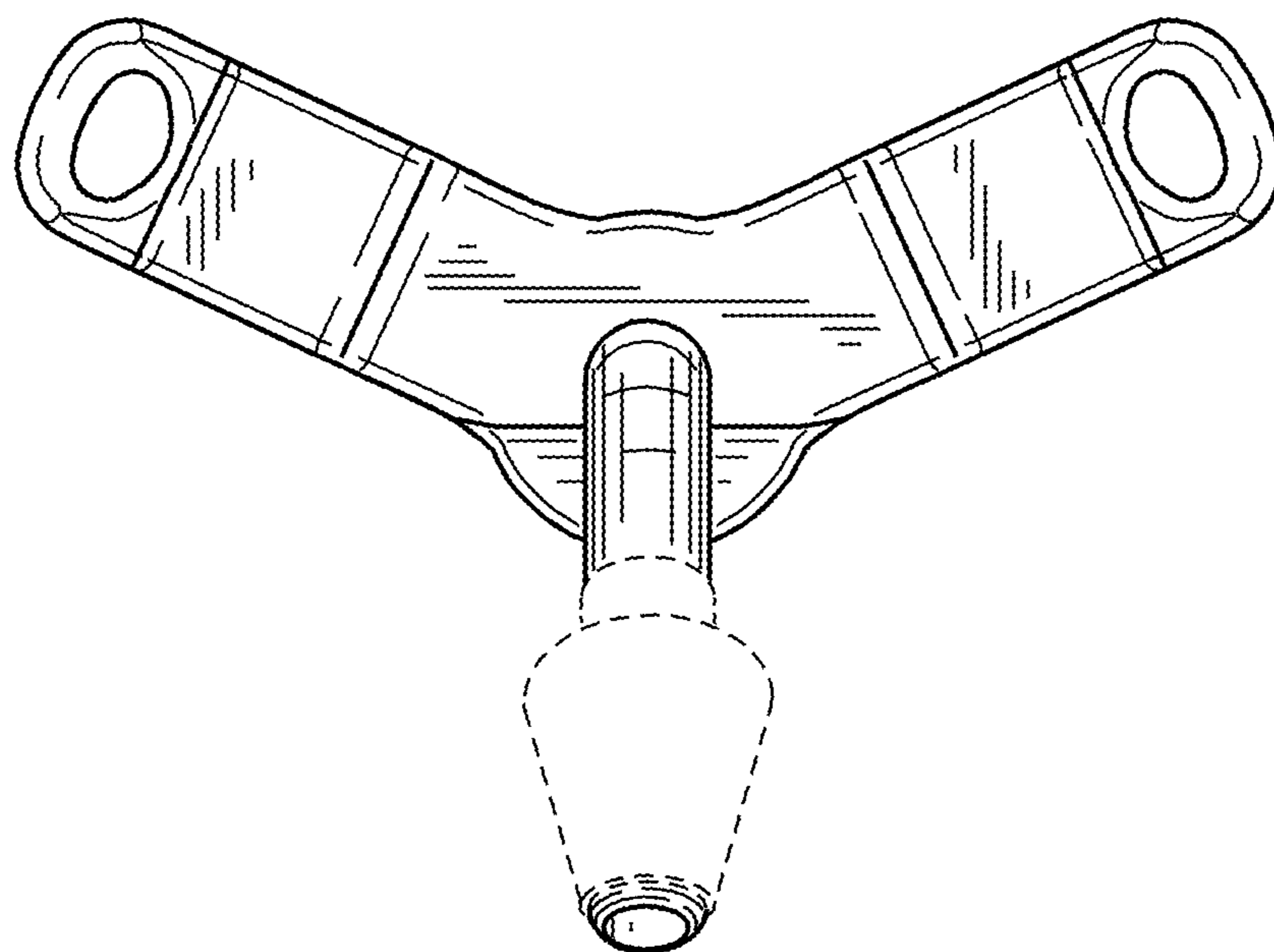


FIG. 7

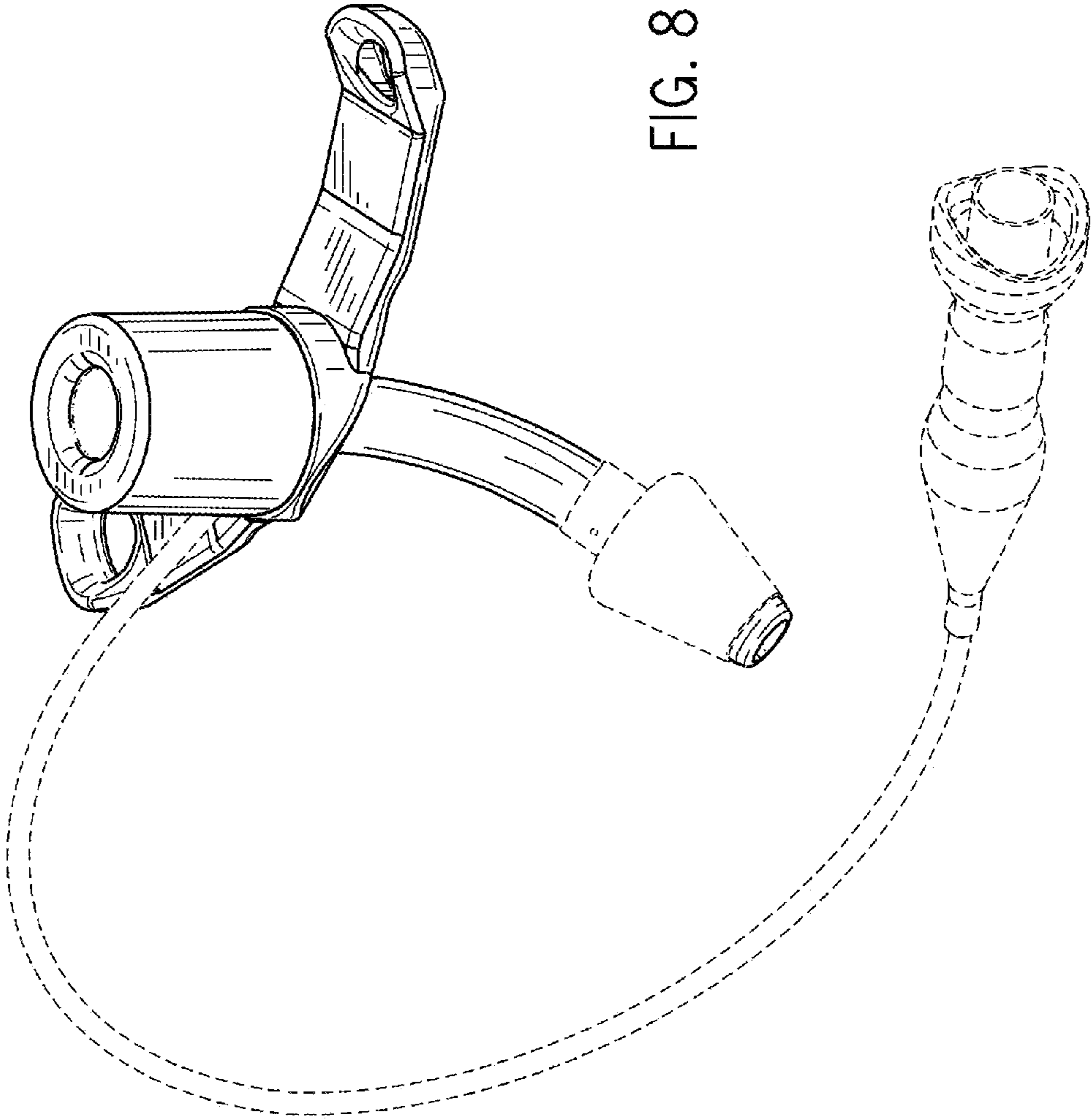


FIG. 8

FIG. 9

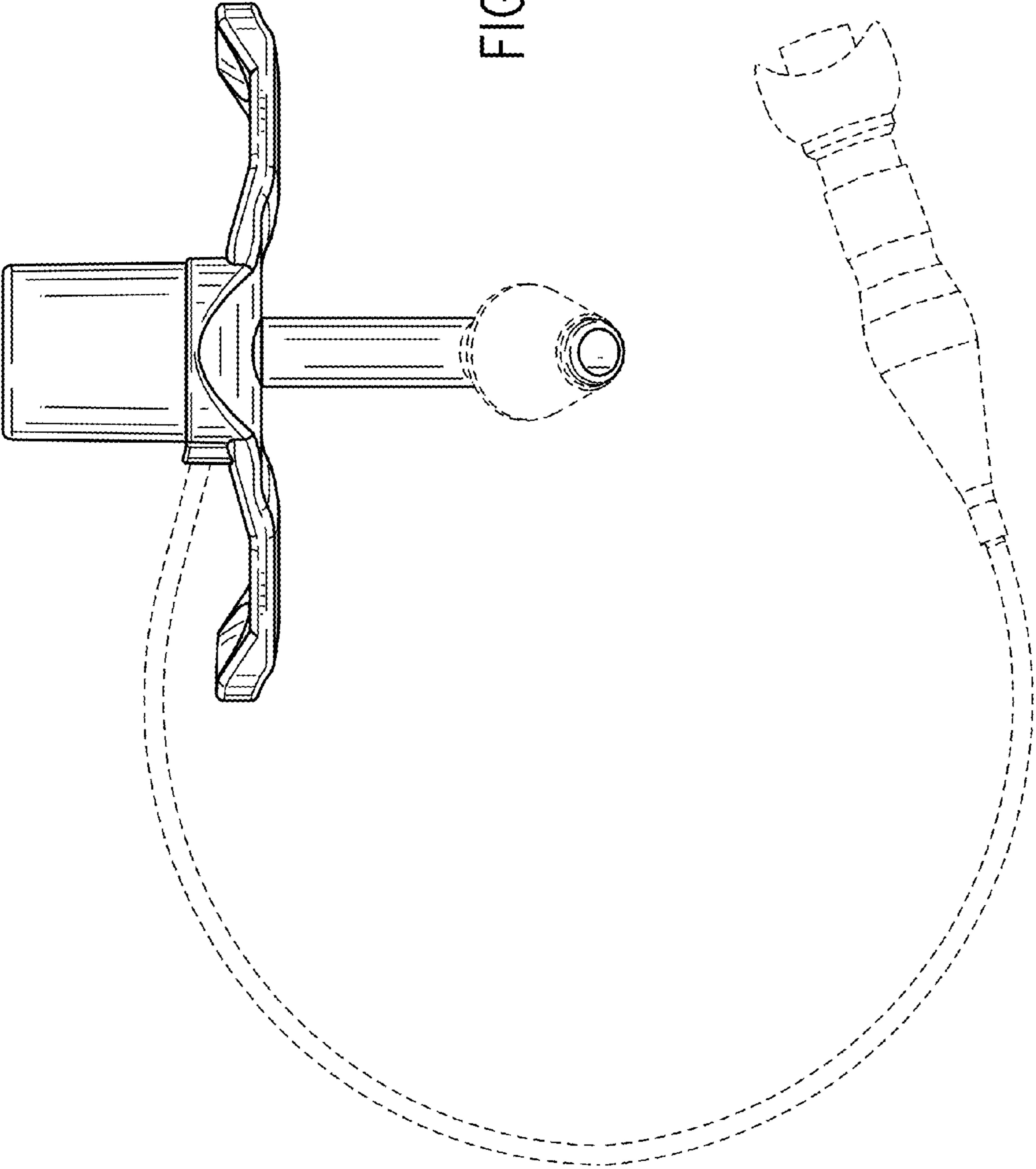


FIG. 10

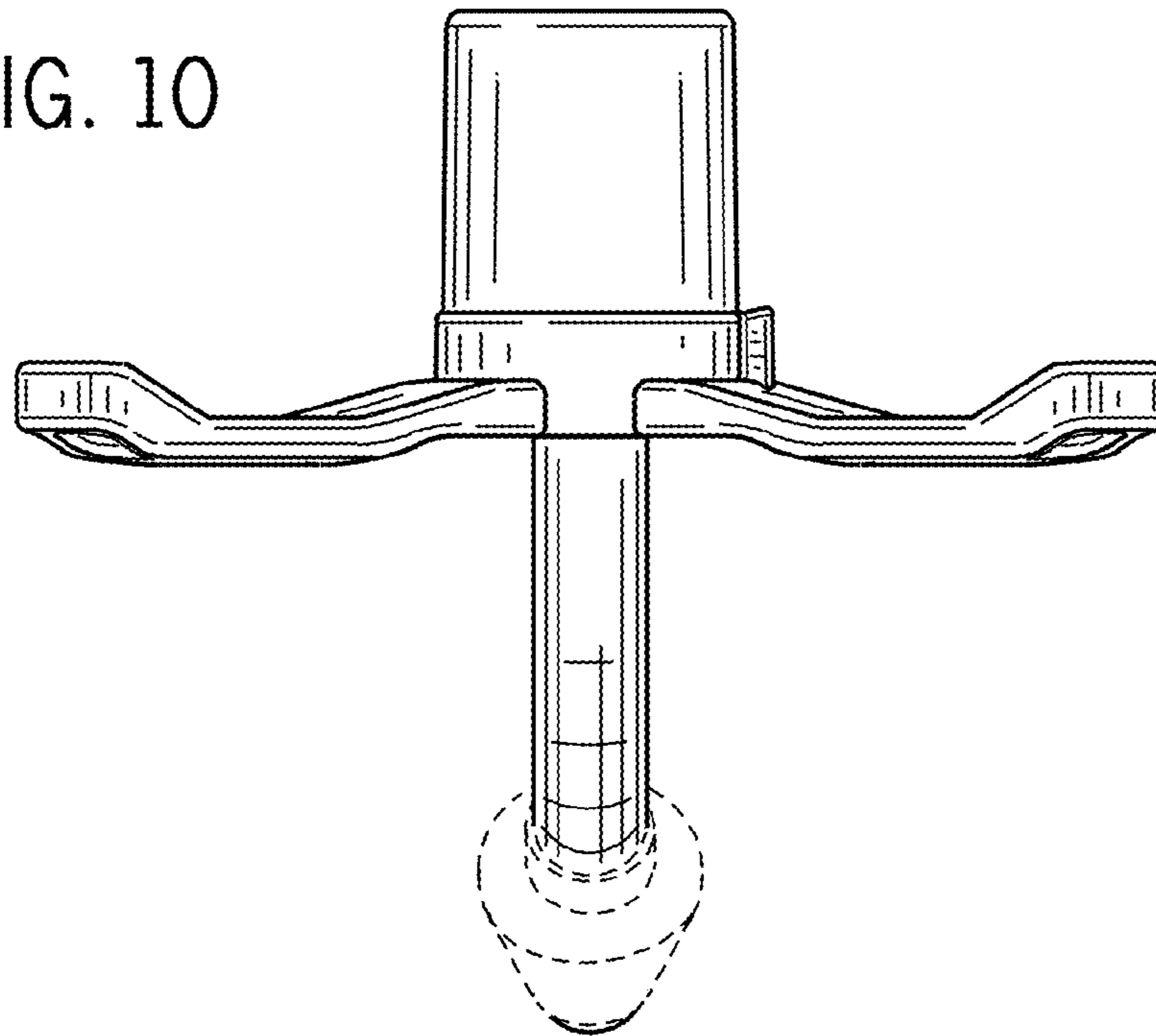


FIG. 11

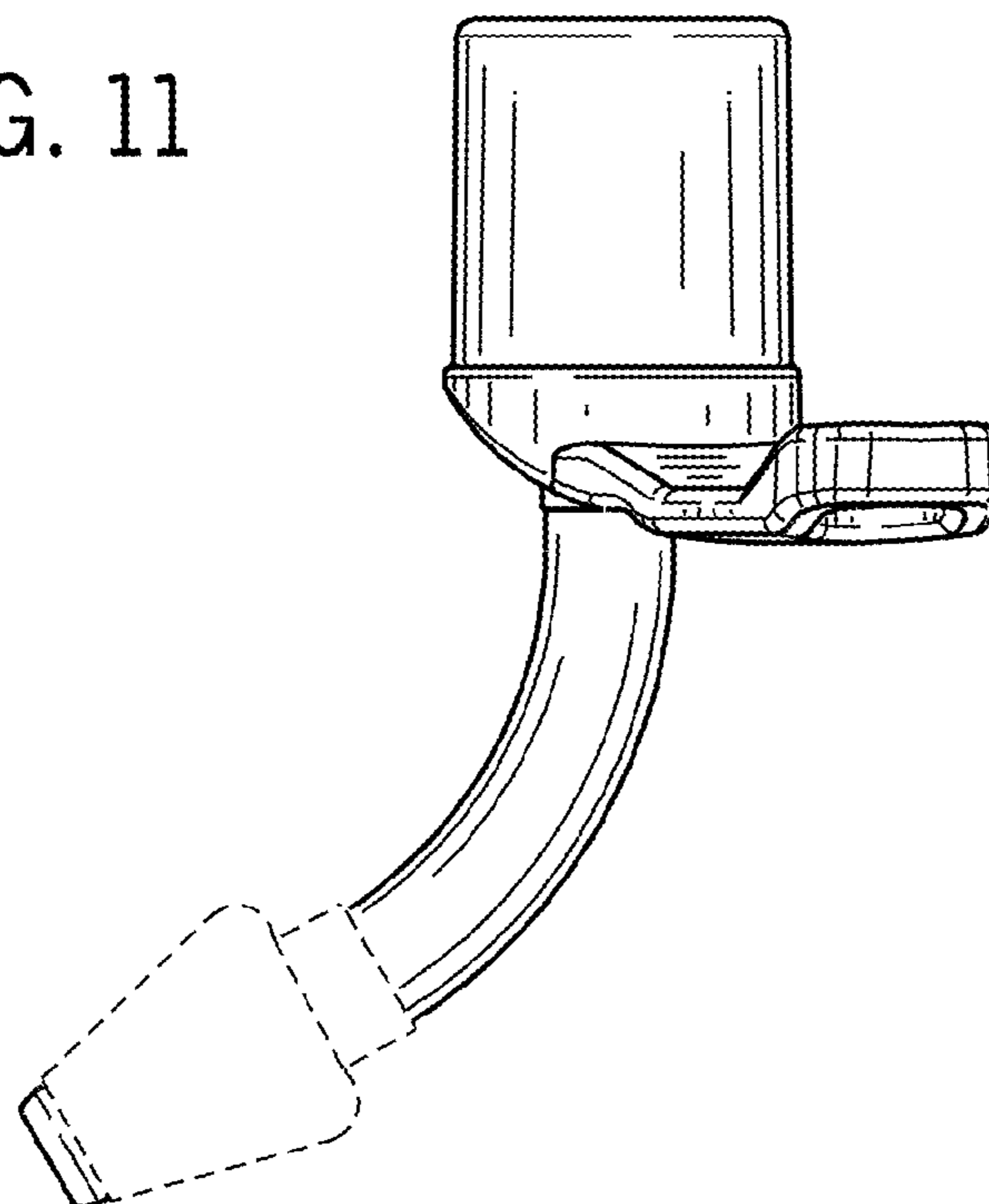


FIG. 12

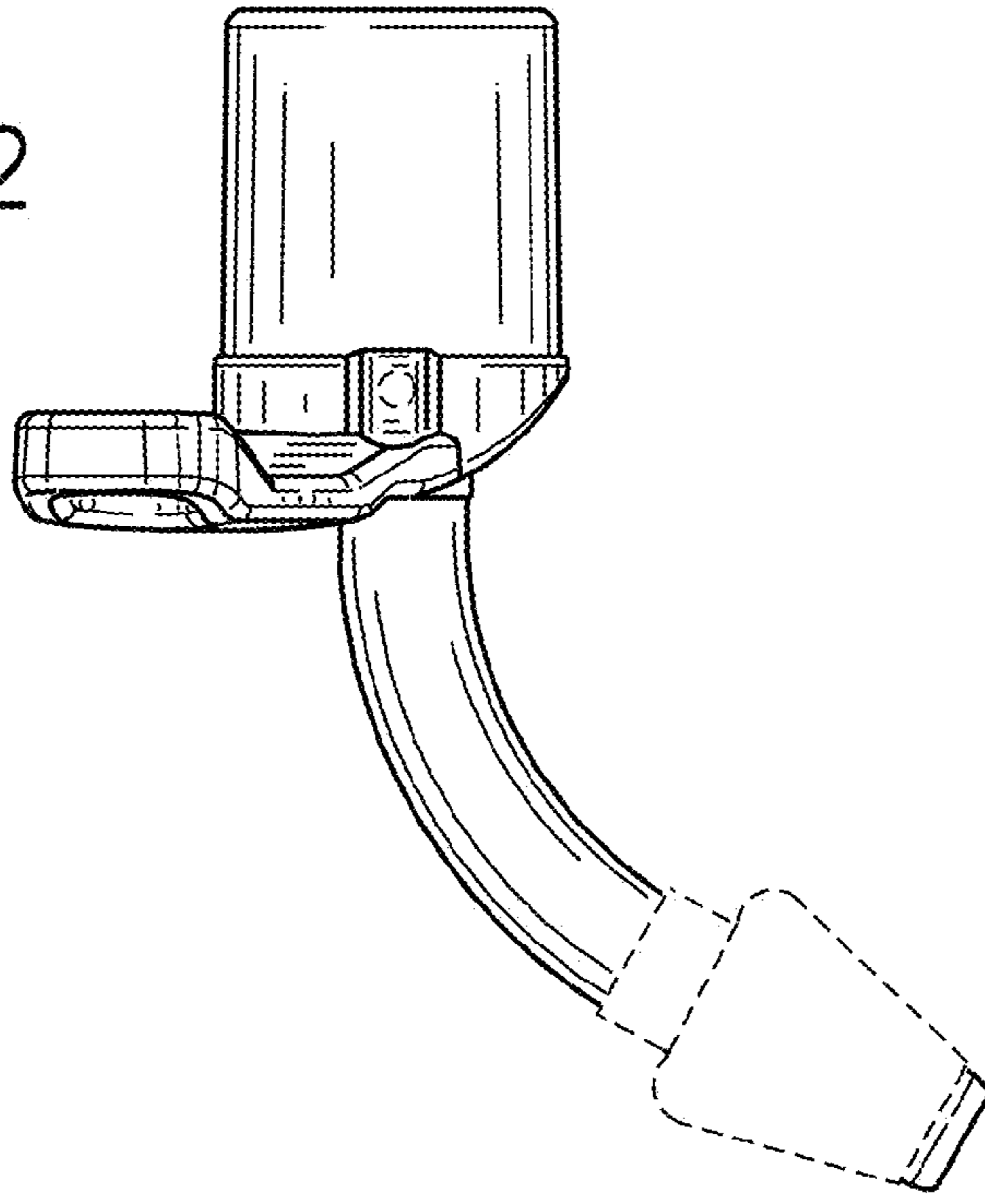
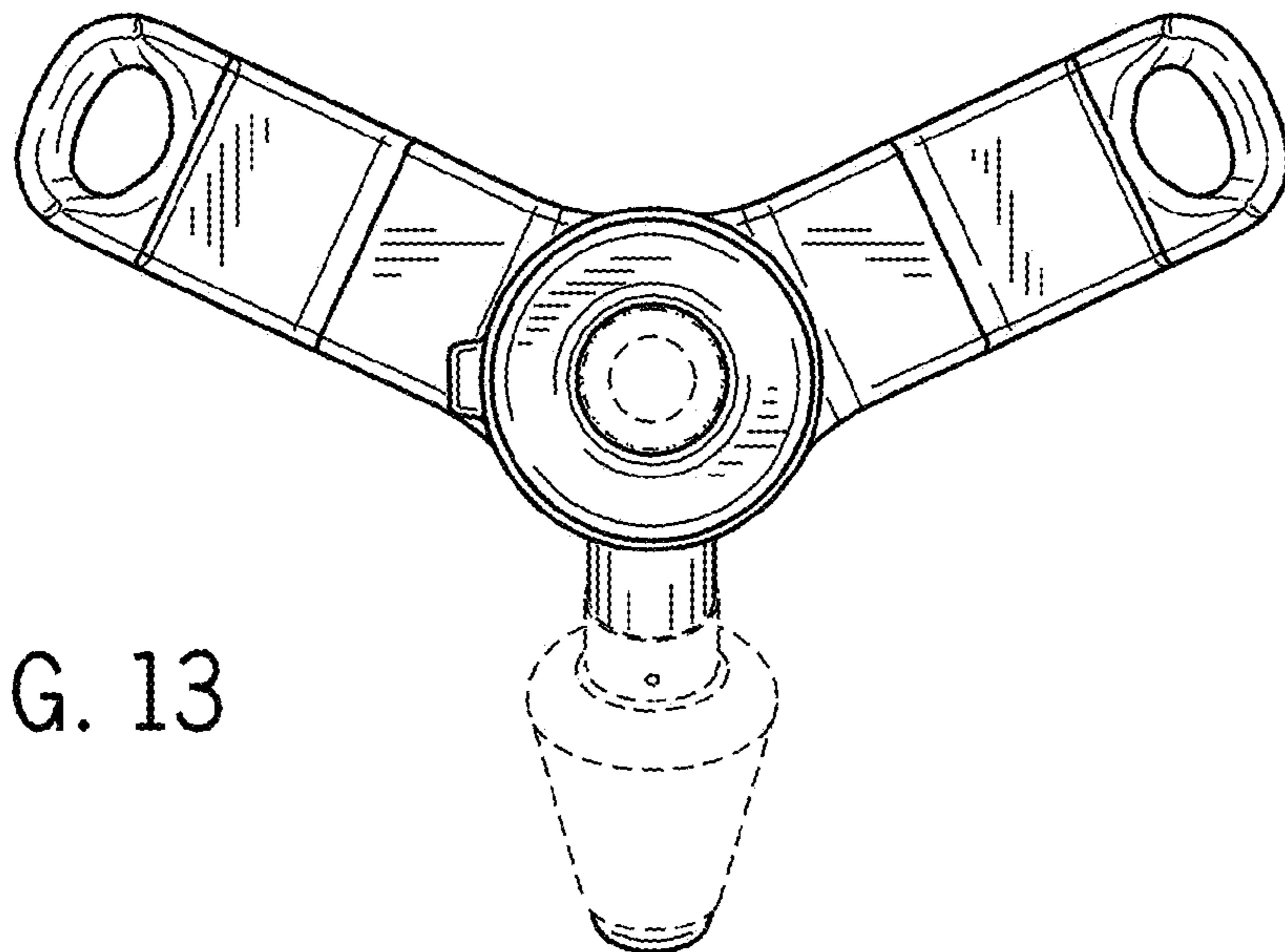


FIG. 13



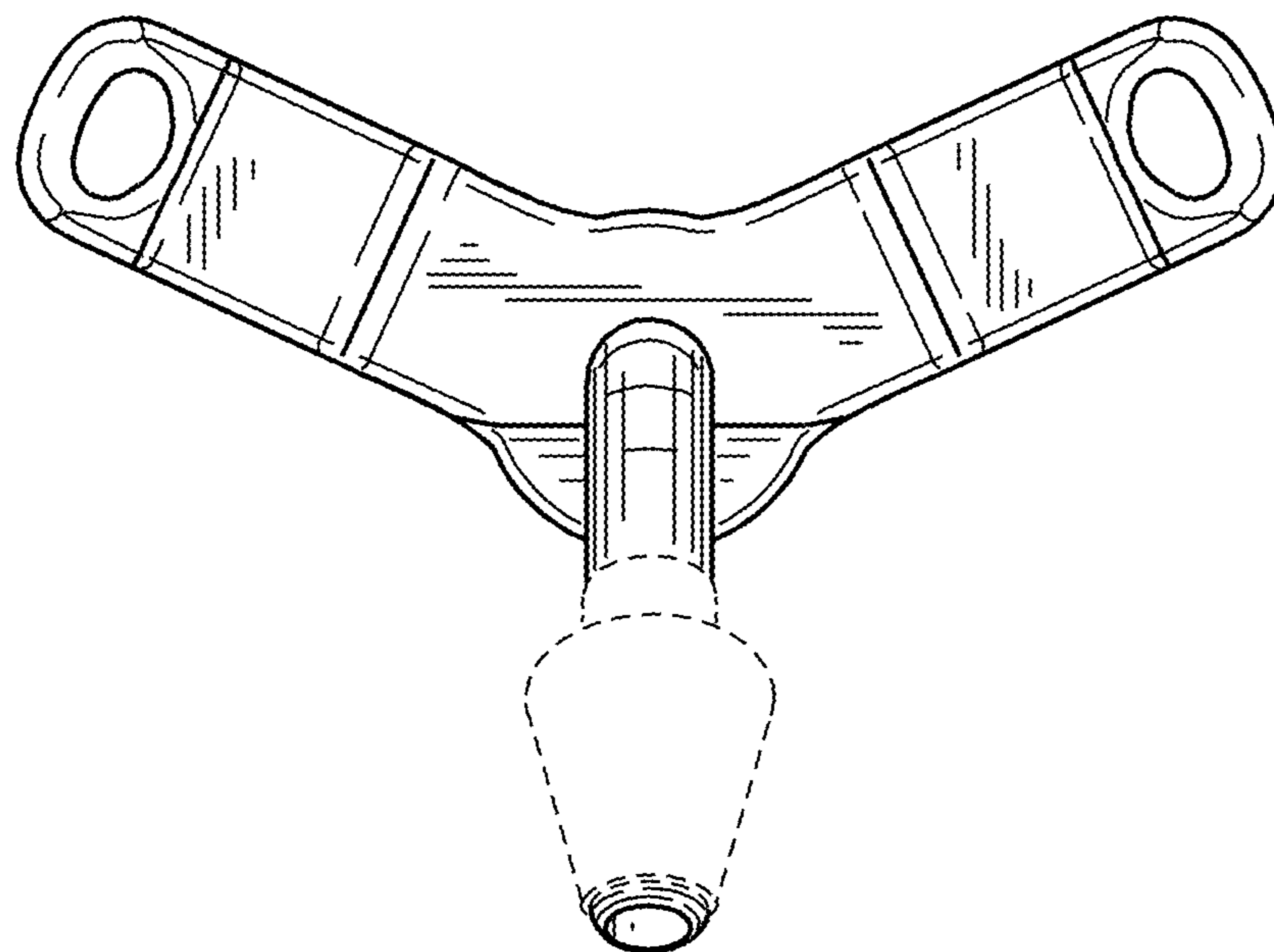


FIG. 14