



US00D753815S

(12) **United States Design Patent**  
**Guney et al.**

(10) **Patent No.:** **US D753,815 S**  
(45) **Date of Patent:** **\*\* Apr. 12, 2016**

(54) **FRAME FOR RESPIRATORY MASK**

6,595,215 B2 7/2003 Wood  
D485,905 S 1/2004 Moore et al.  
6,889,689 B1 5/2005 Neuman  
D542,912 S 5/2007 Gunaratnam et al.  
D546,441 S 7/2007 Hitchcock et al.

(71) Applicant: **ResMed Limited**, BellaVista, New South Wales (AU)

(72) Inventors: **Memduh Guney**, Killara (AU); **Rupert Christian Scheiner**, Davidson (AU); **David Anthony Pidcock**, Fairlight (AU)

(Continued)

(73) Assignee: **ResMed Limited**, Bella Vista (AU)

**OTHER PUBLICATIONS**

Guney et al., U.S. Appl. No. 29/409,213, filed Dec. 21, 2011.

(\*\*) Term: **14 Years**

(21) Appl. No.: **29/473,658**

(Continued)

(22) Filed: **Nov. 25, 2013**

*Primary Examiner* — Richelle G Shelton

(74) *Attorney, Agent, or Firm* — Nixon & Vanderhye P.C.

**Related U.S. Application Data**

(62) Division of application No. 29/409,213, filed on Dec. 21, 2011, now Pat. No. Des. 696,767, which is a division of application No. 29/308,629, filed on May 2, 2008, now Pat. No. Des. 652,505.

(51) **LOC (10) Cl.** ..... **29-02**

(52) **U.S. Cl.**  
USPC ..... **D24/110.4**

(58) **Field of Classification Search**  
USPC ..... D24/110.1–110.4  
CPC ..... A61M 16/06; A61M 16/0616; A61M 16/0622; A61M 16/0816  
See application file for complete search history.

(57) **CLAIM**

The ornamental design for a frame for respiratory mask, as shown and described.

**DESCRIPTION**

FIG. 1 is a front perspective view of a frame for respiratory mask according to a first embodiment our new ornamental design:

FIG. 2 is a reverse perspective view thereof;

FIG. 3 is a front view thereof;

FIG. 4 is a rear view thereof;

FIG. 5 is a top view thereof with the bottom view being a mirror image thereof;

FIG. 6 is a right side view thereof with the left side view being a mirror image thereof;

FIG. 7 is a front perspective view of a frame for respiratory mask according to a second embodiment our new ornamental design:

FIG. 8 is a reverse perspective view thereof;

FIG. 9 is a front view thereof;

FIG. 10 is a rear view thereof;

FIG. 11 is a top view thereof with the bottom view being a mirror image thereof; and,

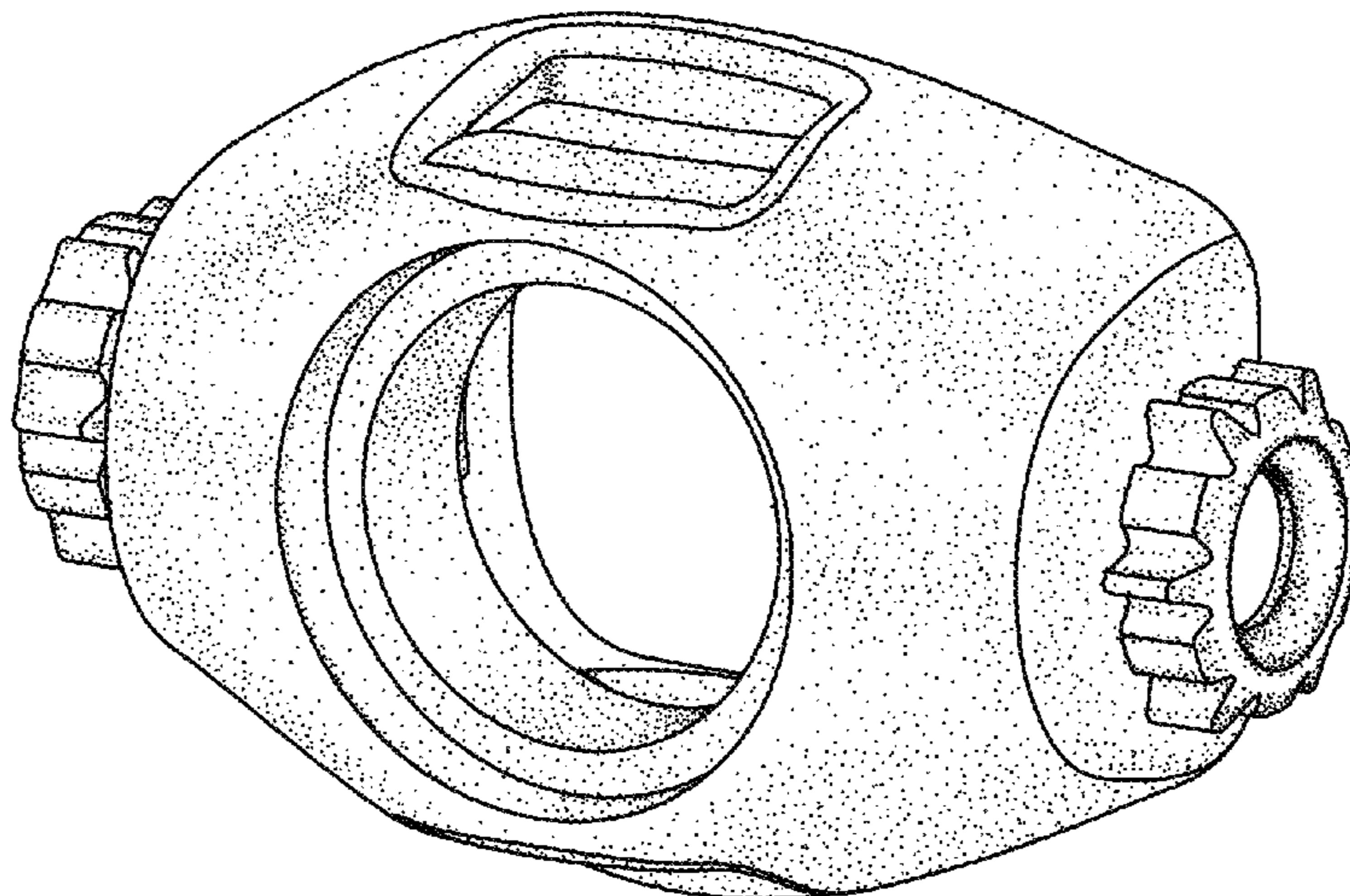
FIG. 12 is a right side view thereof with the left side view being a mirror image thereof.

(56) **References Cited**

**U.S. PATENT DOCUMENTS**

2,763,263	A	9/1956	Ellman	
3,513,844	A	5/1970	Smith	
4,782,832	A	11/1988	Trimble et al.	
4,915,105	A	4/1990	Lee	
5,687,715	A	11/1997	Landis et al.	
5,724,965	A *	3/1998	Handke et al.	128/207.13
6,119,694	A	9/2000	Correa et al.	
6,431,172	B1	8/2002	Bordewick	

**1 Claim, 6 Drawing Sheets**



(56)

**References Cited**

U.S. PATENT DOCUMENTS

D557,801 S \* 12/2007 Chandran et al. .... D24/110.1  
7,318,437 B2 1/2008 Gunaratnam et al.  
D586,907 S 2/2009 Judson et al.  
D586,911 S 2/2009 McAuley et al.  
D588,258 S 3/2009 Judson et al.  
D591,419 S 4/2009 Chandran et al.  
D597,199 S \* 7/2009 Smart et al. .... D24/110.1  
D623,288 S 9/2010 Lubke et al.  
D637,279 S 5/2011 Scheiner et al.  
D652,505 S 1/2012 Pidcock et al.  
D652,909 S \* 1/2012 Smart et al. .... D24/110.1  
D659,237 S \* 5/2012 Lubke et al. .... D24/110.1  
D669,576 S \* 10/2012 Smart et al. .... D24/110.1  
2003/0196655 A1 10/2003 Ging et al.

2006/0137690 A1 6/2006 Gunaratnam et al.  
2006/0174887 A1 \* 8/2006 Chandran et al. .... 128/206.11  
2009/0044808 A1 2/2009 Guney et al.  
2009/0126739 A1 5/2009 Ng et al.  
2009/0139527 A1 6/2009 Ng et al.  
2009/0183739 A1 7/2009 Wondka  
2009/0241961 A1 10/2009 McAuley et al.

OTHER PUBLICATIONS

InnoMed Technologies, "Nasal-Pap FreestyleTm" Brochure, 2004, 2 pages.  
InnoMed Technologies, "Nasal Aire™" Brochure 2003, 1 page.  
VIASYS Healthcare, "LYRA Nasal CPAP Interface" Brochure, 2004, 2 pages.

\* cited by examiner

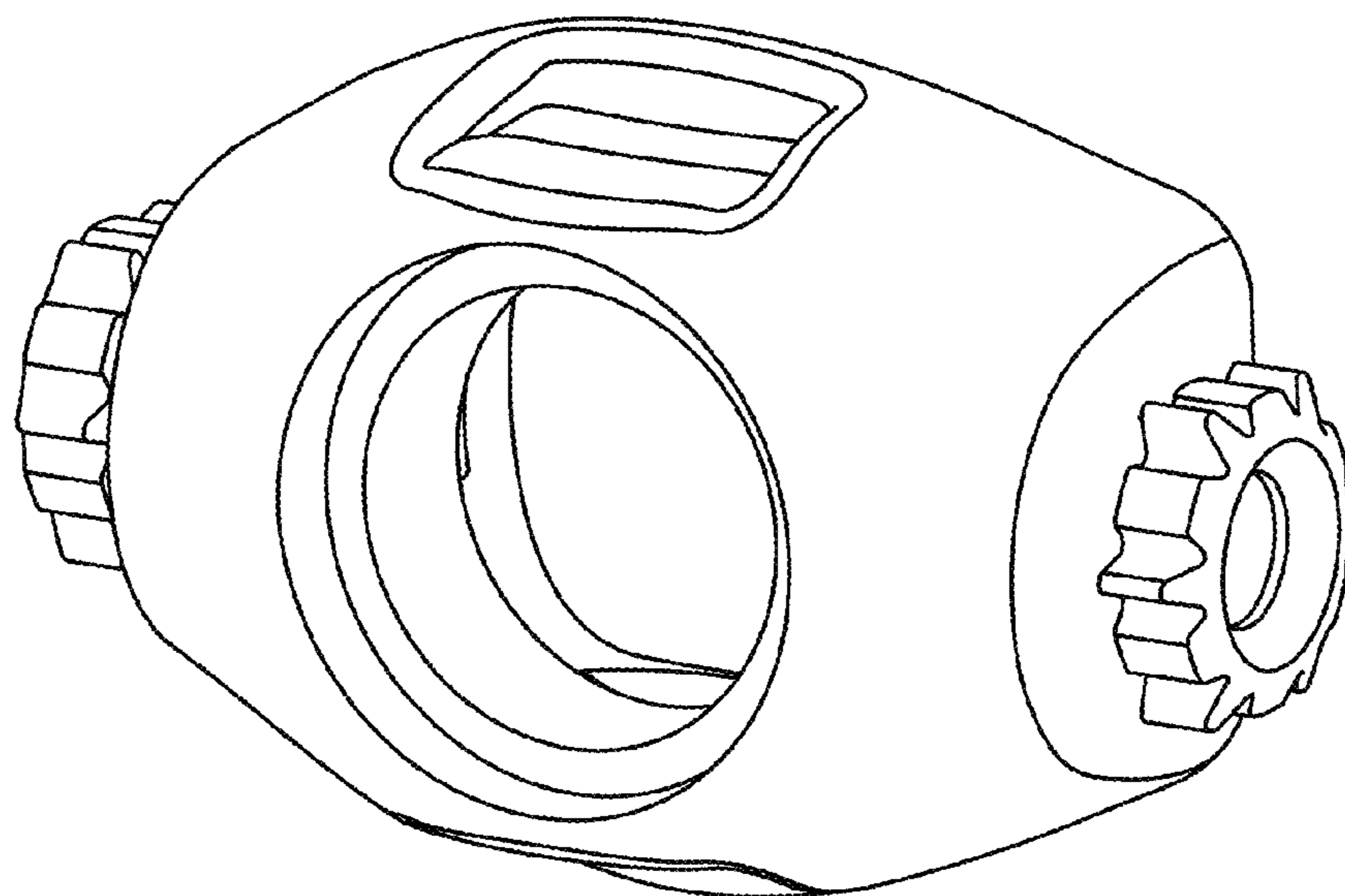


FIG. 1

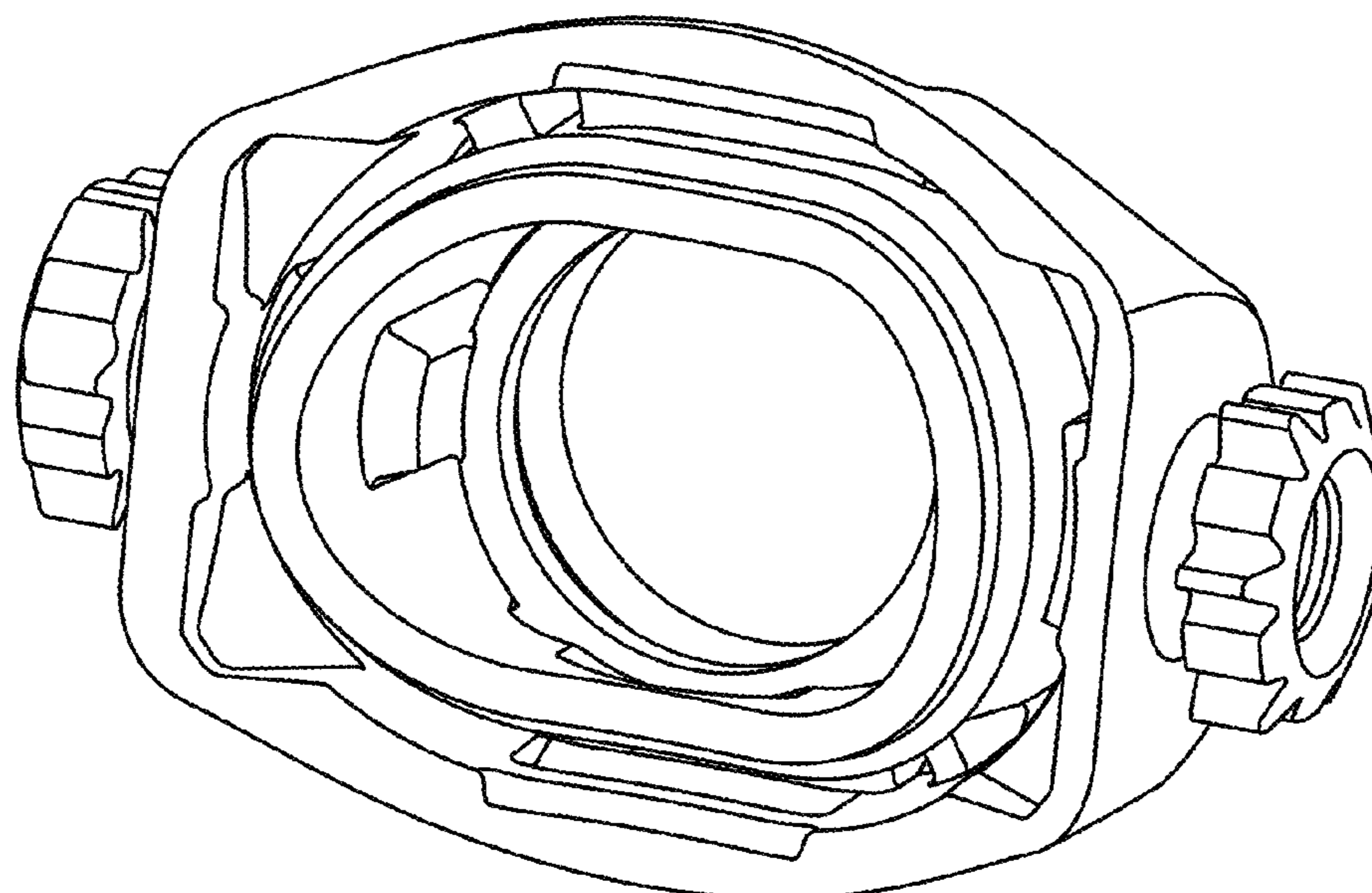


FIG. 2

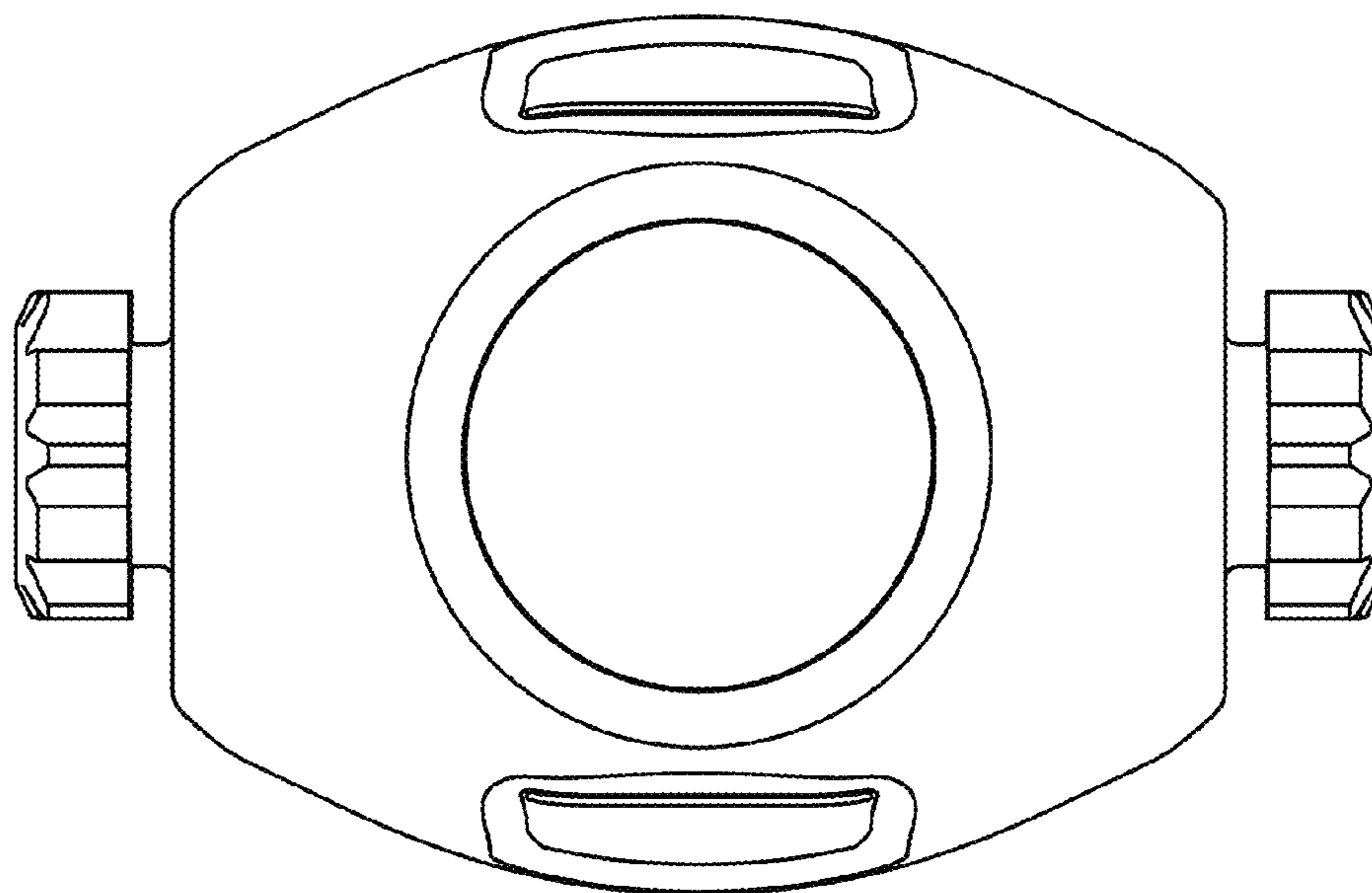


FIG. 3

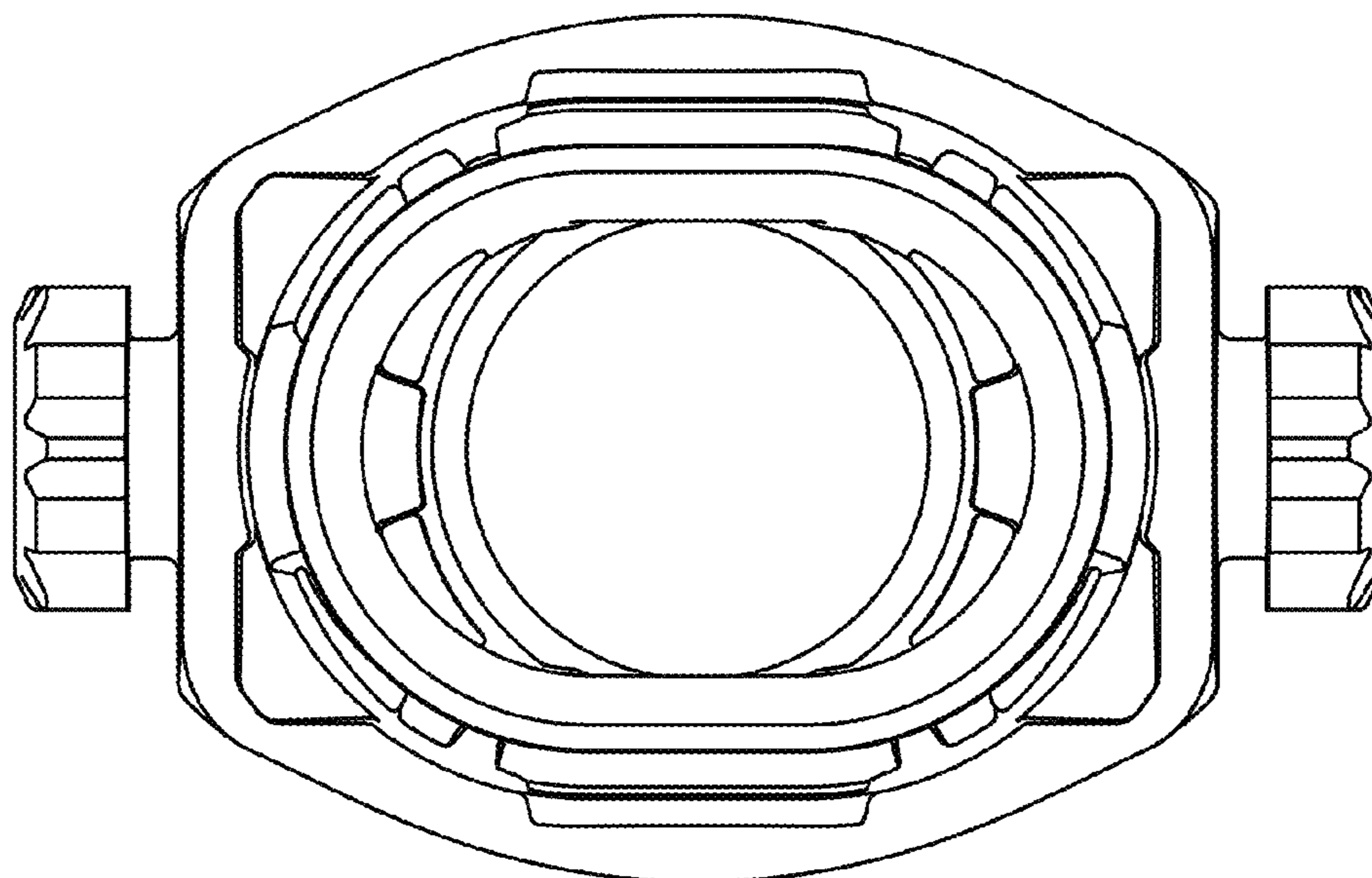


FIG. 4

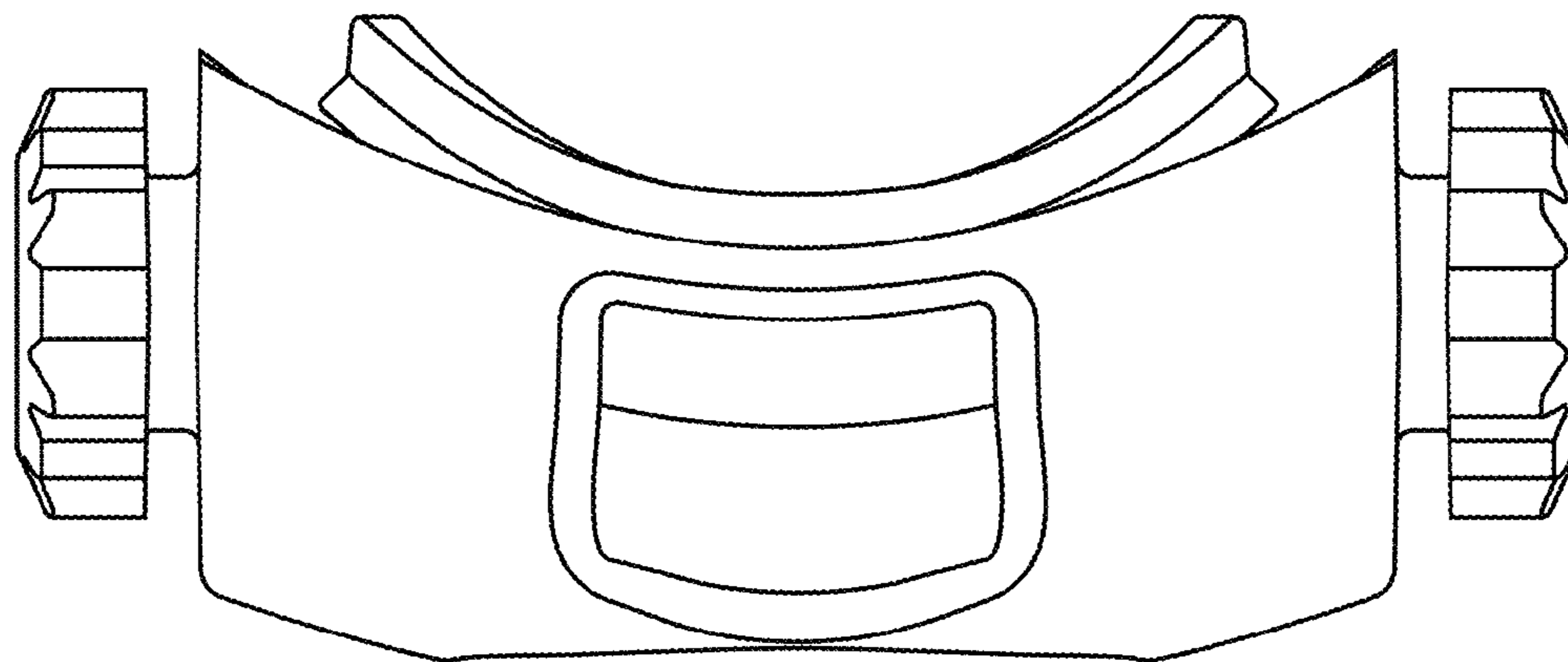


FIG. 5

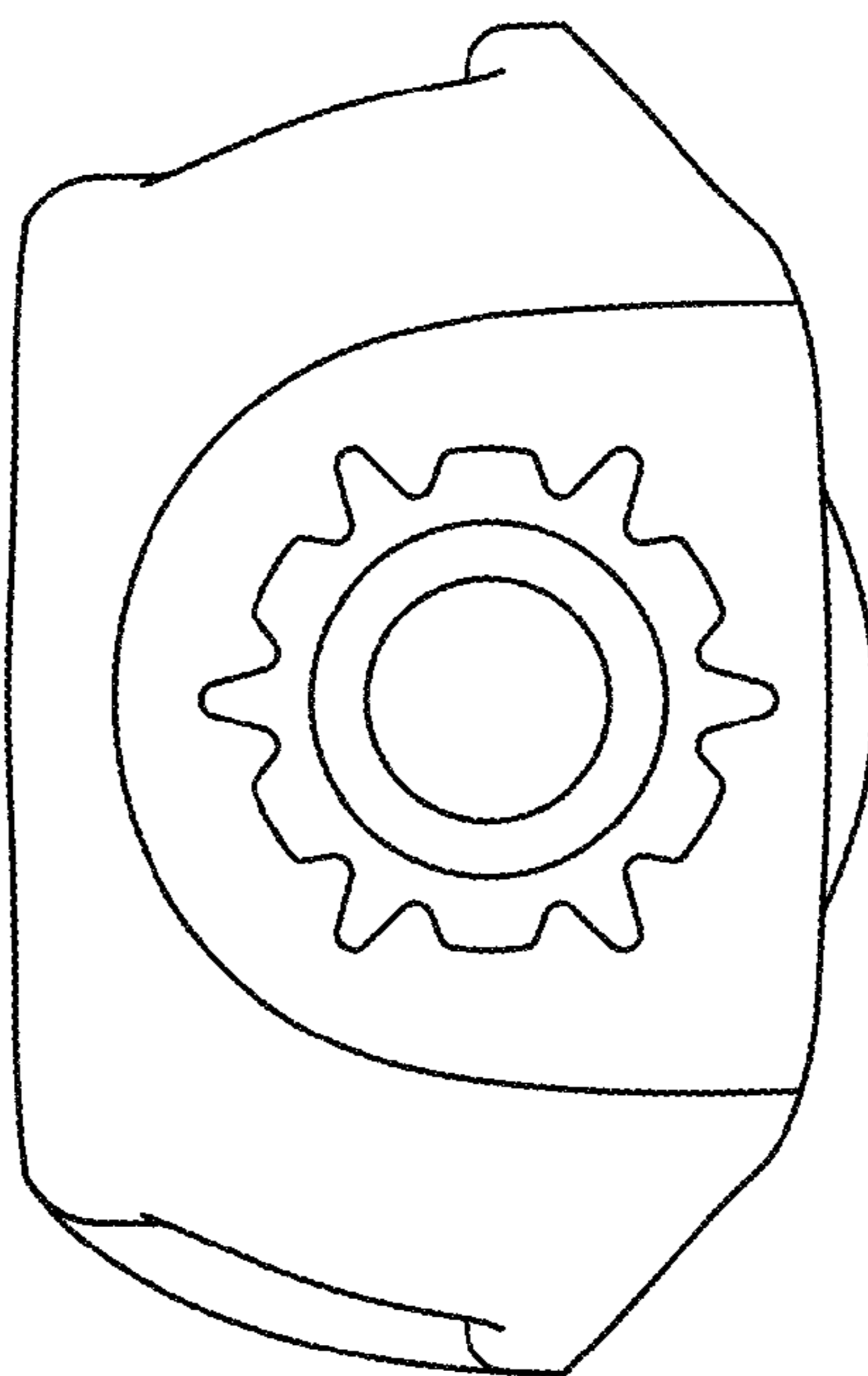


FIG. 6

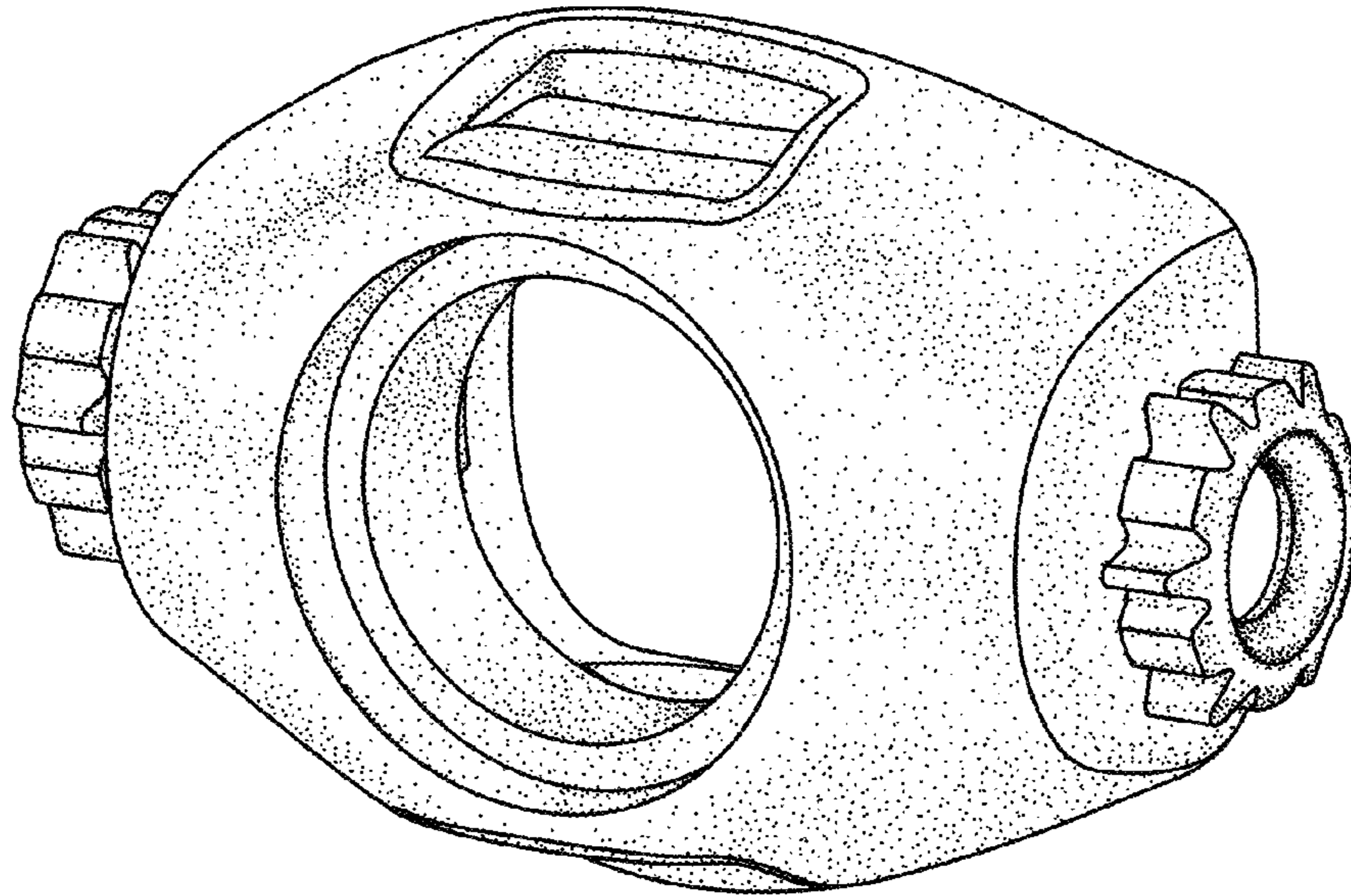


FIG. 7

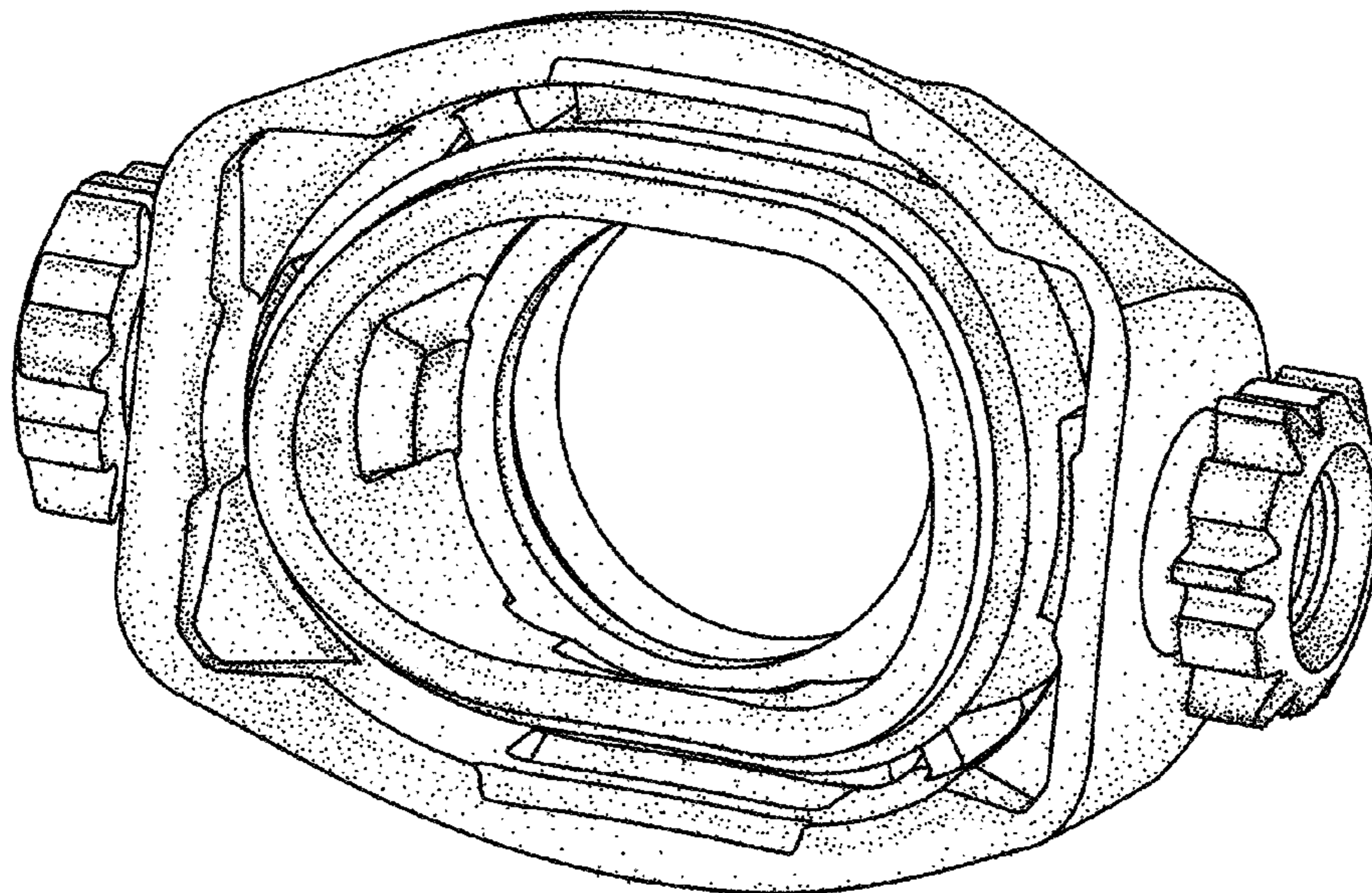


FIG. 8

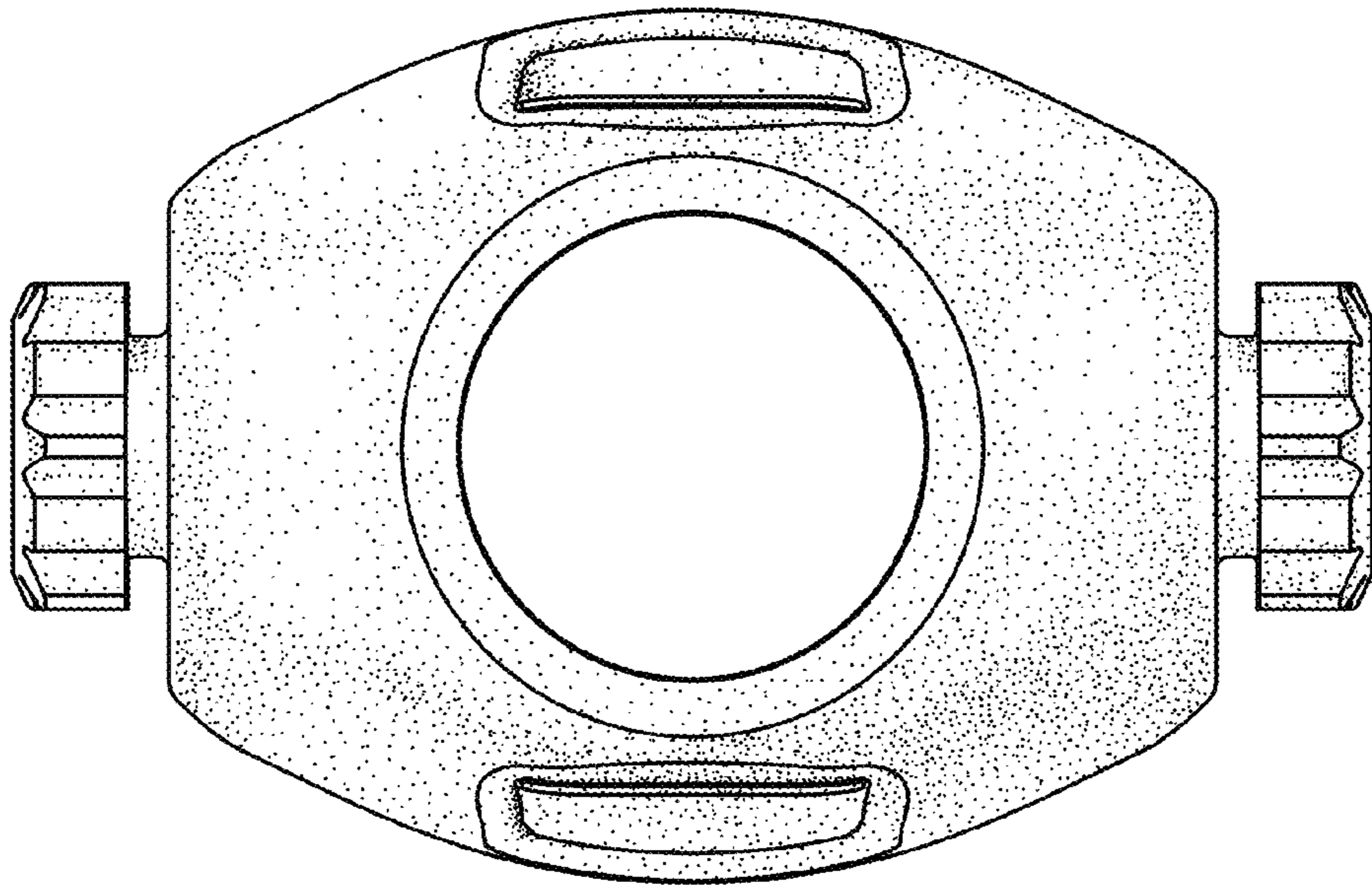


FIG. 9

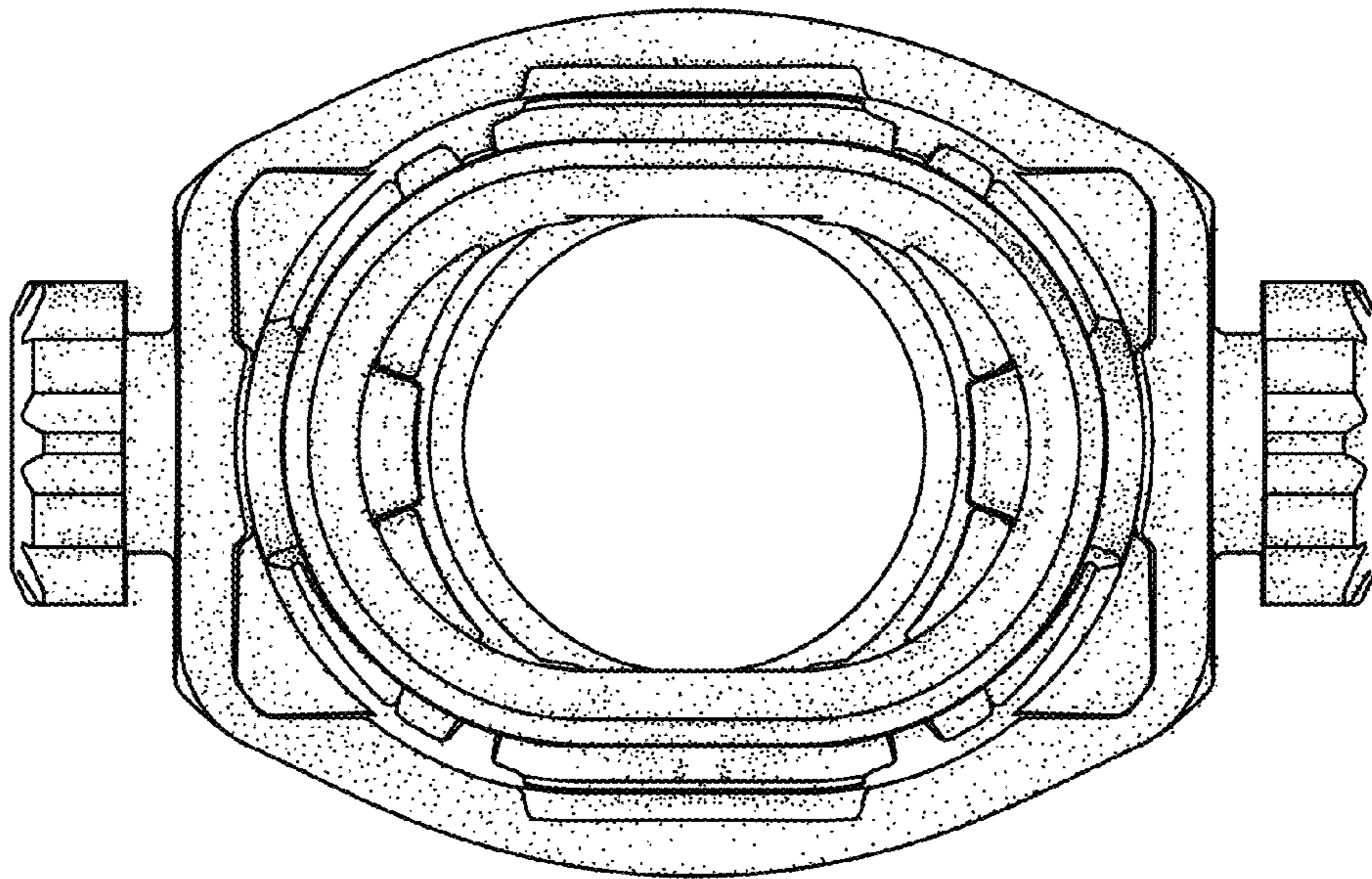


FIG. 10

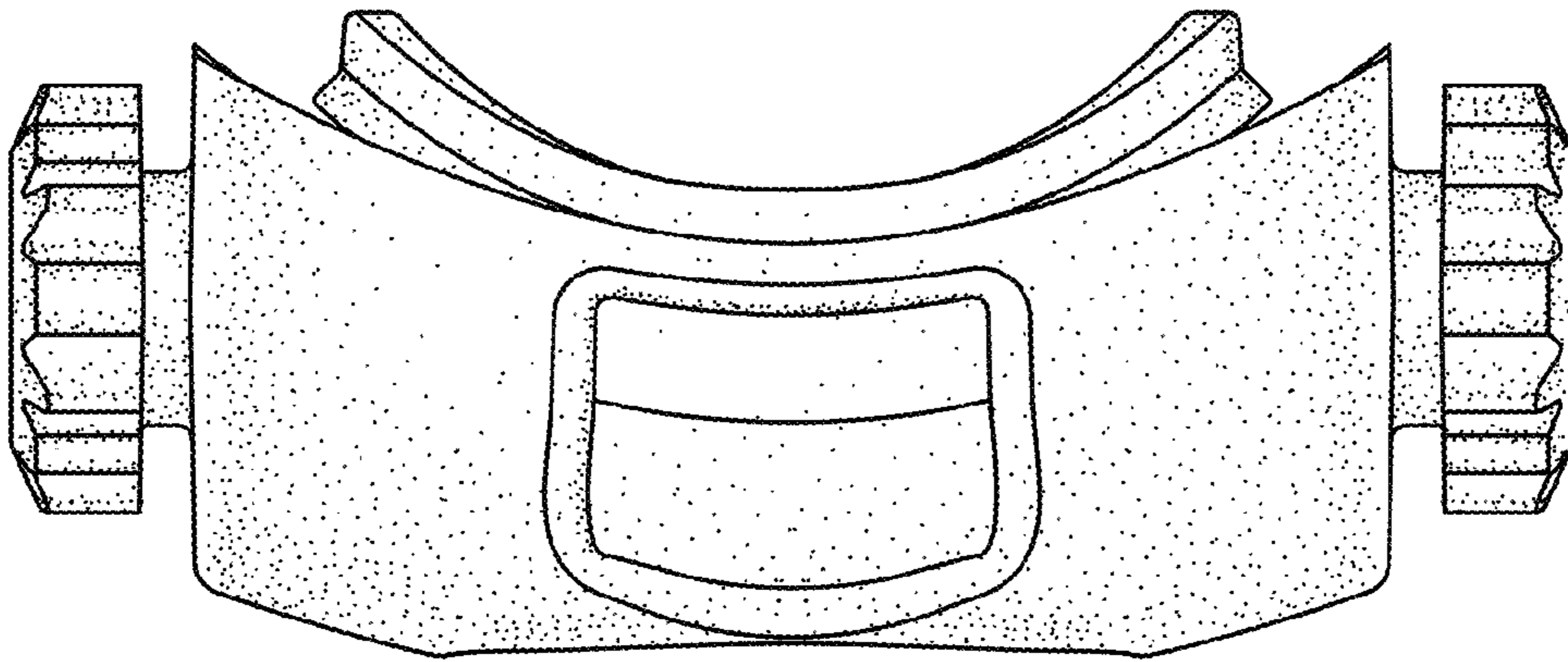


FIG. 11

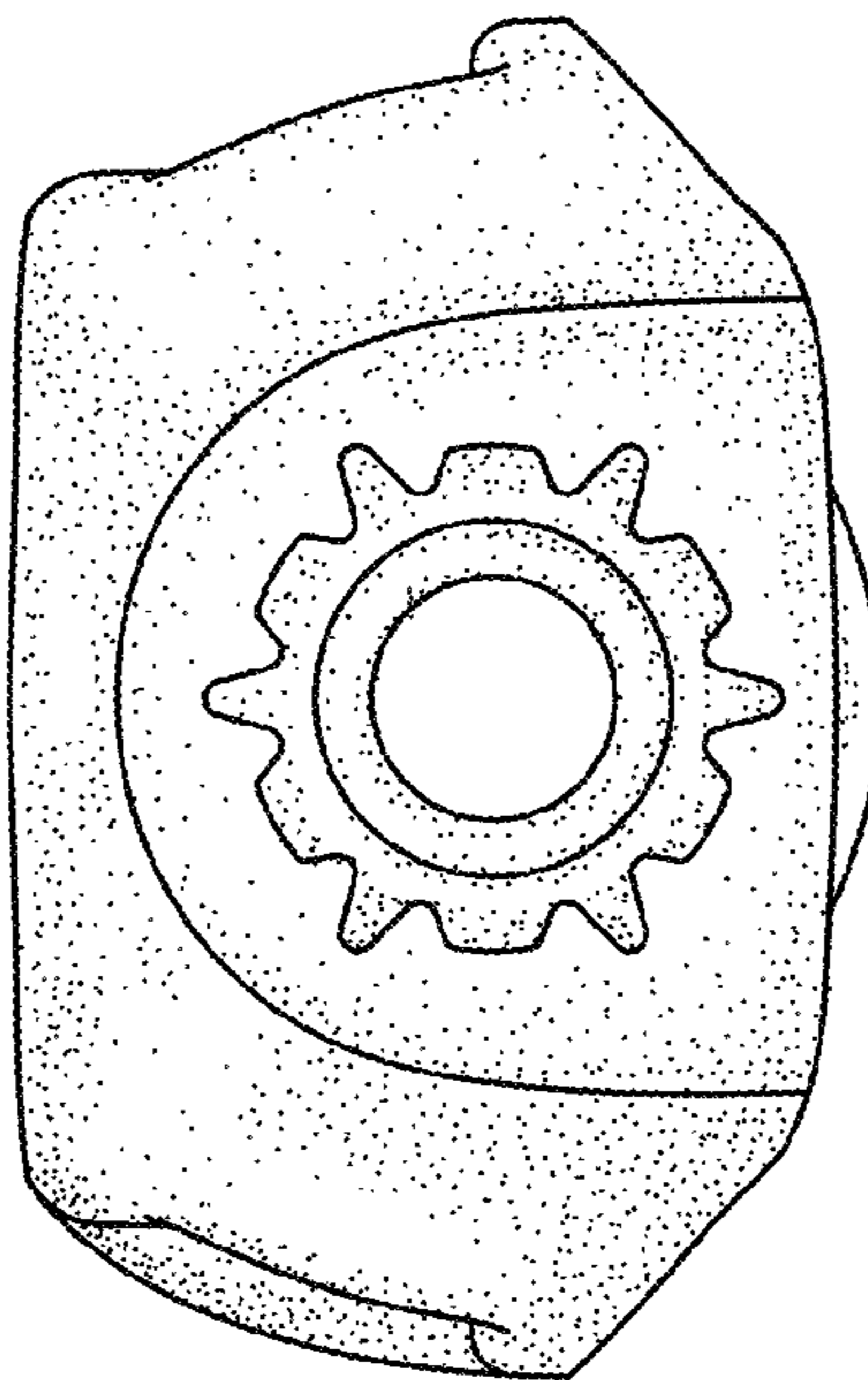


FIG. 12