

US00D753812S

(12) **United States Design Patent**
Salmon et al.

(10) **Patent No.:** **US D753,812 S**
(45) **Date of Patent:** **** Apr. 12, 2016**

- (54) **BREATHING APPARATUS**
- (71) Applicant: **FISHER & PAYKEL HEALTHCARE LIMITED**, Auckland (NZ)
- (72) Inventors: **Andrew Paul Maxwell Salmon**, Auckland (NZ); **Douglas Richard Wright**, Auckland (NZ); **Yi-cheng Sun**, Auckland (NZ); **Peter Lawrence Grylls**, Auckland (NZ); **Paul Fleming Buckley**, Auckland (NZ)
- (73) Assignee: **Fisher & Paykel Healthcare Limited**, Auckland (NZ)

D498,528 S	11/2004	Van Brunt et al.	
D504,945 S	5/2005	Van Brunt et al.	
D526,640 S	8/2006	Chin et al.	
D560,795 S	1/2008	Lithgow et al.	
D575,766 S	8/2008	Harris	
D585,540 S	1/2009	Lithgow et al.	
D646,665 S	10/2011	Lijima	
D658,755 S	5/2012	Lithgow	
D675,730 S	2/2013	Lithgow et al.	
D678,243 S *	3/2013	McManigal	D14/214
D679,800 S	4/2013	Gusky et al.	
D682,406 S	5/2013	Yeom	
D683,444 S	5/2013	Inoue et al.	
D683,445 S *	5/2013	Inoue	D24/110
D690,280 S	9/2013	Schul	
D693,005 S	11/2013	Nawata et al.	
D695,707 S	12/2013	Szymanski et al.	

(**) Term: **15 Years**

(21) Appl. No.: **29/532,910**

(22) Filed: **Jul. 10, 2015**

Related U.S. Application Data

- (62) Division of application No. 29/445,144, filed on Feb. 7, 2013, now Pat. No. Des. 734,446.
- (51) **LOC (10) Cl.** **29-02**
- (52) **U.S. Cl.**
USPC **D24/110**
- (58) **Field of Classification Search**
USPC D24/107, 108, 110, 111, 164; D15/9;
D14/140
CPC A61M 16/0063; A61M 16/0057;
A61M 16/16; A61M 16/18; A61M 16/00;
A61M 11/02
See application file for complete search history.

(56) **References Cited**

U.S. PATENT DOCUMENTS

D421,298 S	2/2000	Kenyon et al.
D468,011 S	12/2002	Lithgow et al.
D493,520 S	7/2004	Bertinetti et al.

(Continued)

OTHER PUBLICATIONS

Fisher & Paykel Healthcare Limited, Clinical Technologies Brochure; pp. 1-8; 2011.

Primary Examiner — Barbara Fox

Assistant Examiner — Lilyana Bekic

(74) *Attorney, Agent, or Firm* — Knobbe, Martens, Olson & Bear, LLP

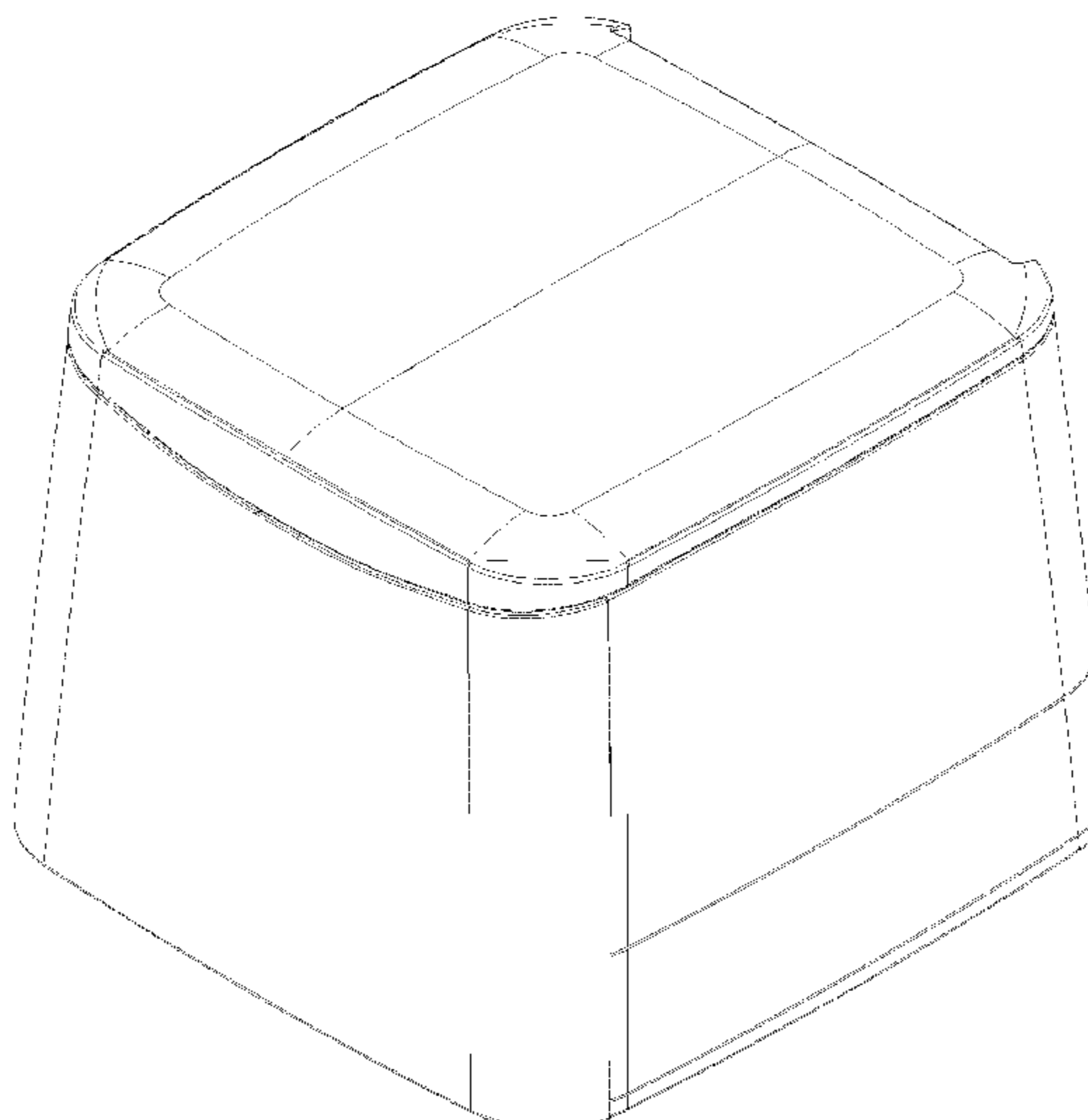
(57) **CLAIM**

The ornamental design for a breathing apparatus, as shown and described.

DESCRIPTION

FIG. 1 is a front perspective view of a breathing apparatus showing the new design;
FIG. 2 is a front view thereof;
FIG. 3 is a right side view thereof;
FIG. 4 is a rear view thereof;
FIG. 5 is a left side view thereof;
FIG. 6 is a top view thereof; and,
FIG. 7 is a bottom view thereof.

1 Claim, 7 Drawing Sheets



(56)

References Cited

U.S. PATENT DOCUMENTS

D695,708 S	*	12/2013	Szymanski	D14/214	9,072,848 B2 *	7/2015	Bertinetti	A61M 16/0051
D695,711 S		12/2013	Szymanski et al.		2009/0245566 A1 *	10/2009	Jheng	H04R 11/02
D696,393 S		12/2013	Lu					381/386
D707,202 S		6/2014	McManigal		2010/0065051 A1	3/2010	Potharaju et al.	
D714,249 S		9/2014	Carney et al.		2011/0186048 A1	8/2011	Casse et al.	
D722,053 S	*	2/2015	Wang	D14/358	2012/0318266 A1	12/2012	Chou	
D723,480 S	*	3/2015	Lee	D14/125	2013/0333701 A1	12/2013	Herron	
D732,158 S	*	6/2015	Salmon	D24/110	2015/0197378 A1 *	7/2015	Miller	B65D 43/166
D734,446 S	*	7/2015	Salmon	D24/108				220/810
					2015/0283350 A1 *	10/2015	Miller	A61M 16/00
								128/204.17

* cited by examiner

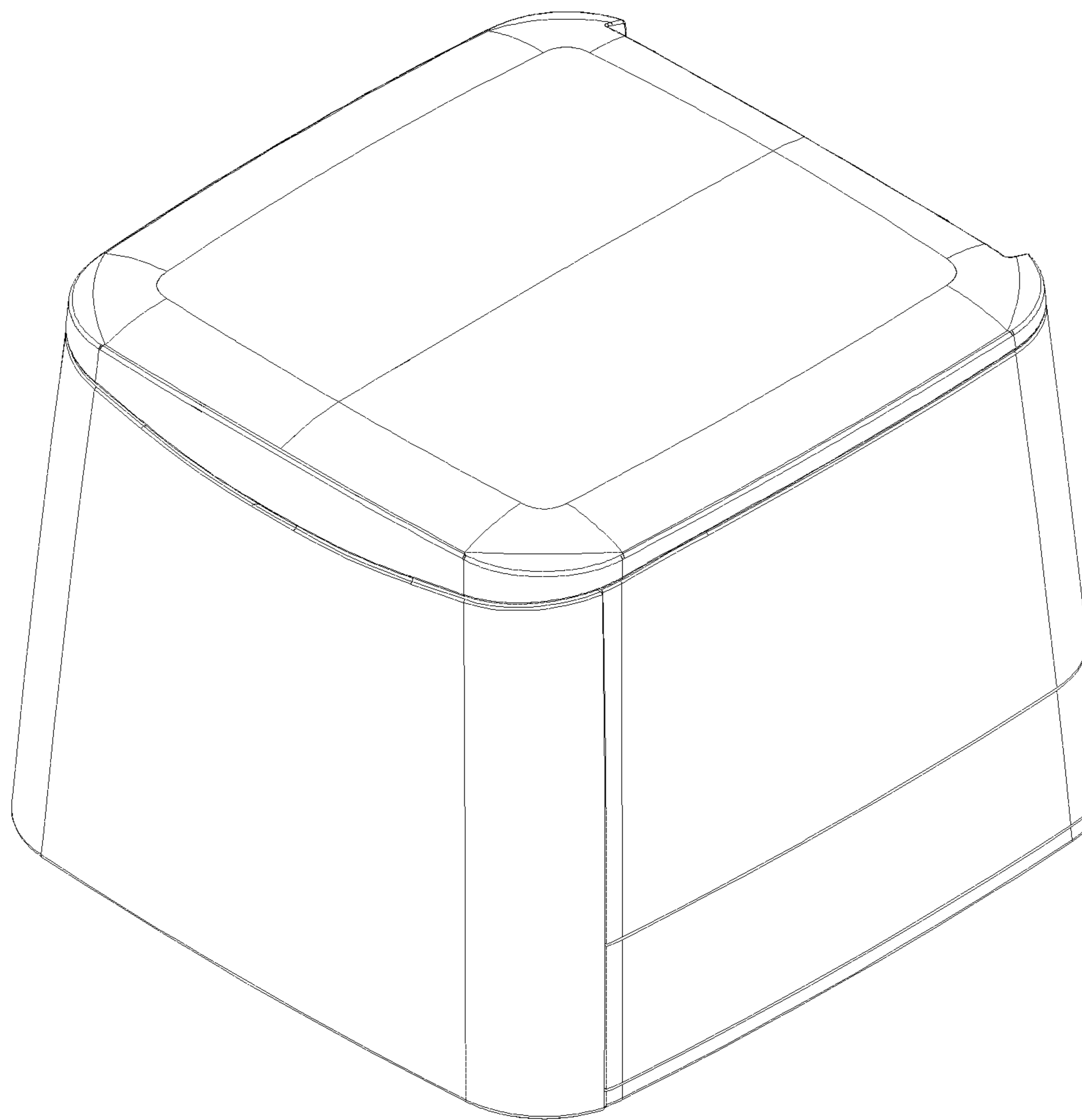


Figure 1

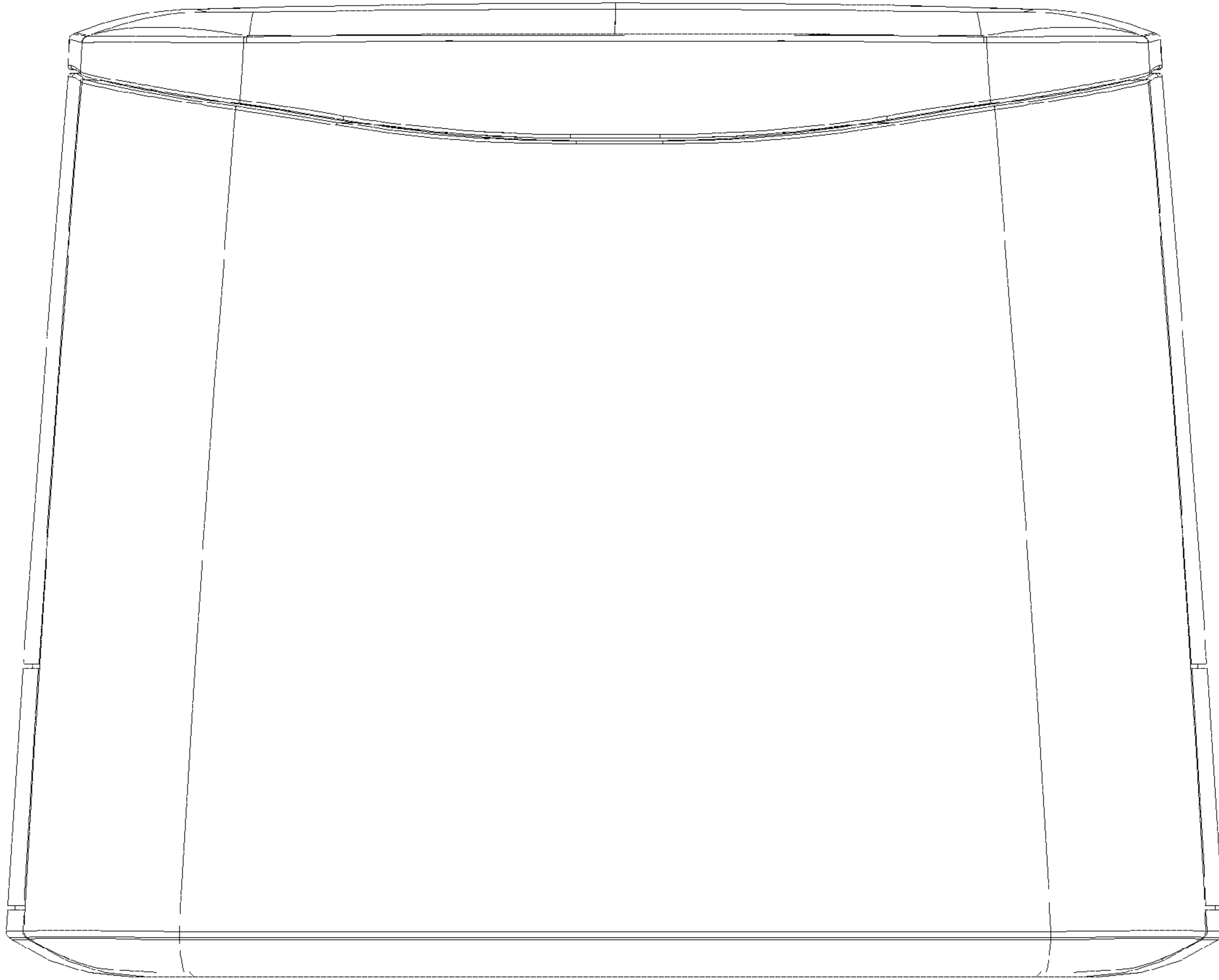


Figure 2

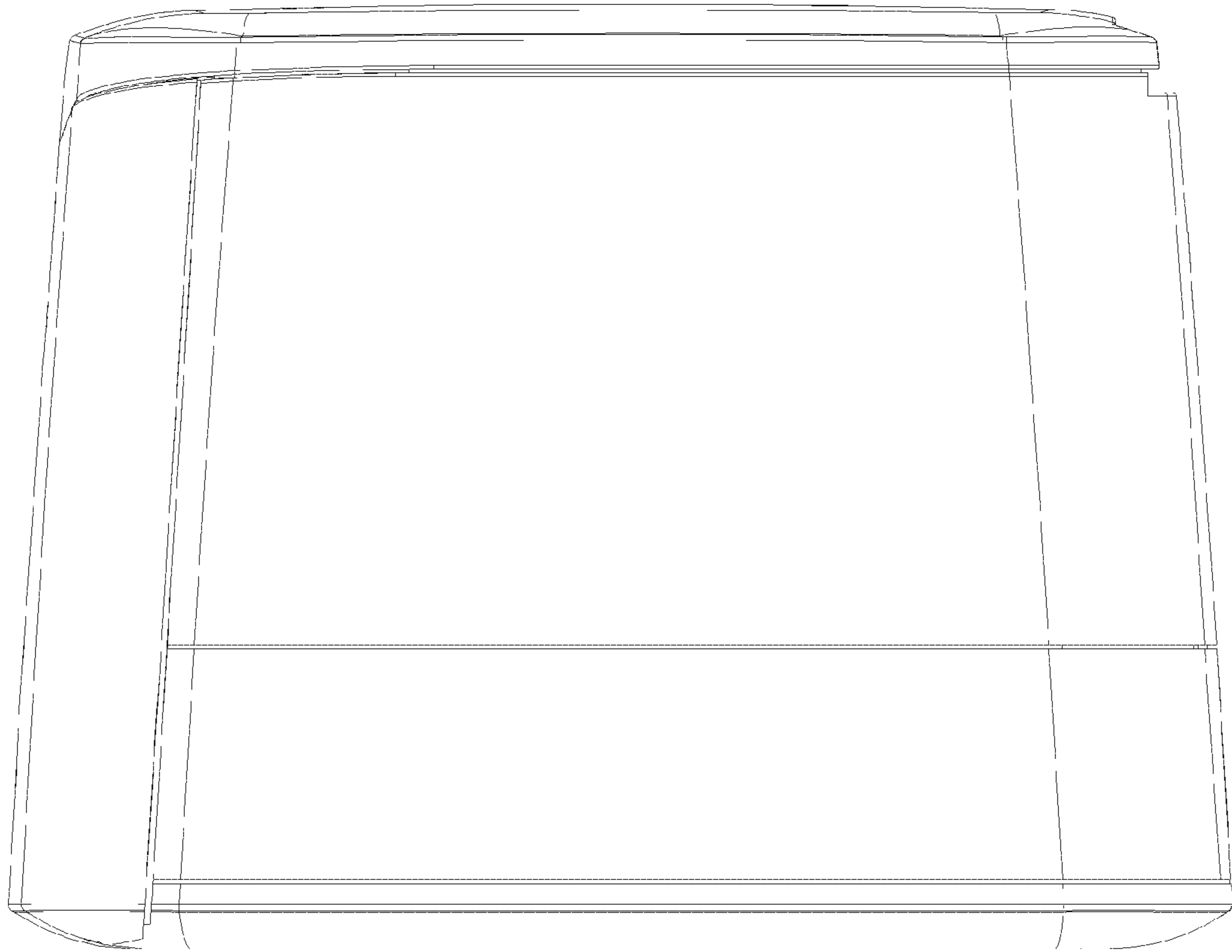


Figure 3

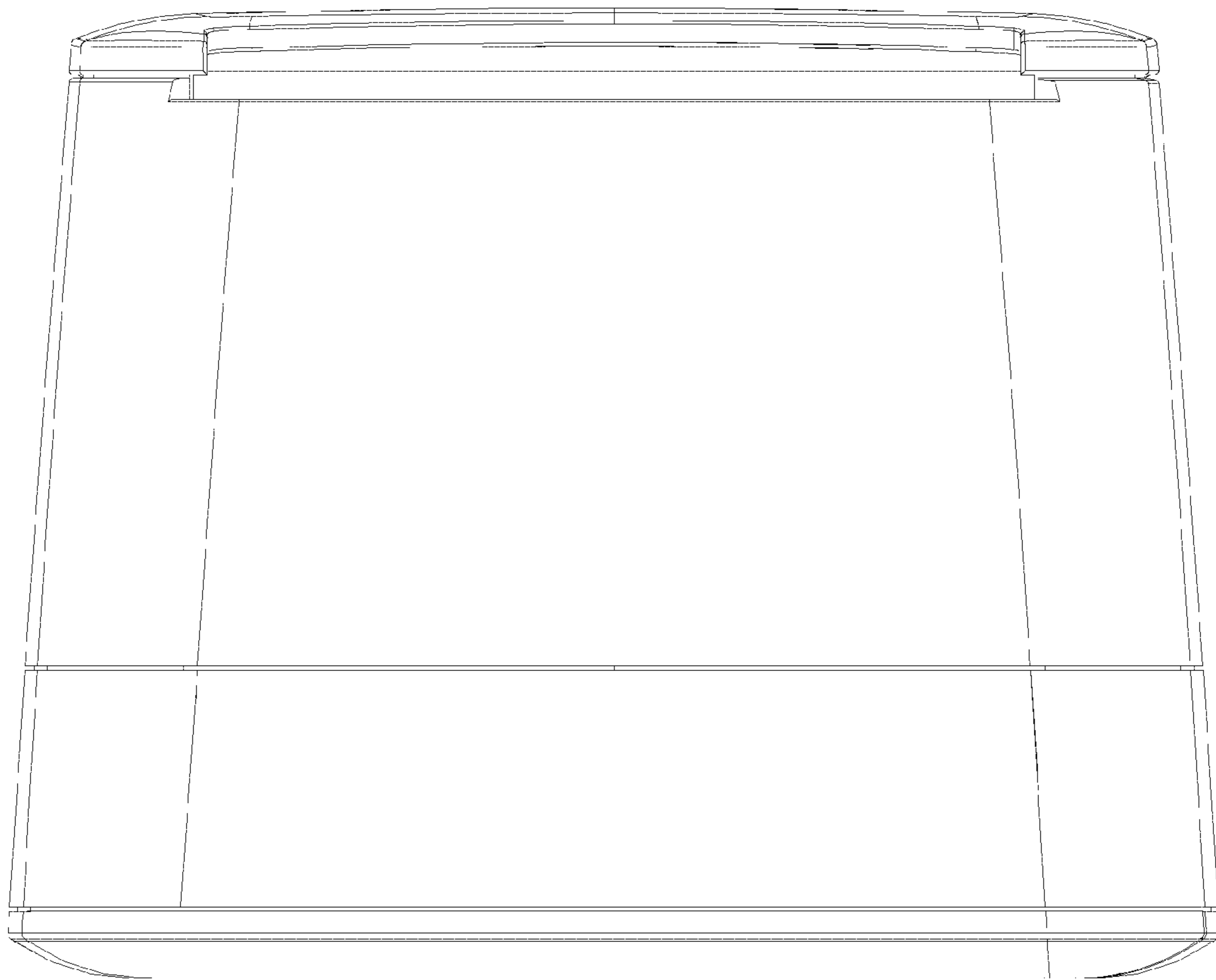


Figure 4

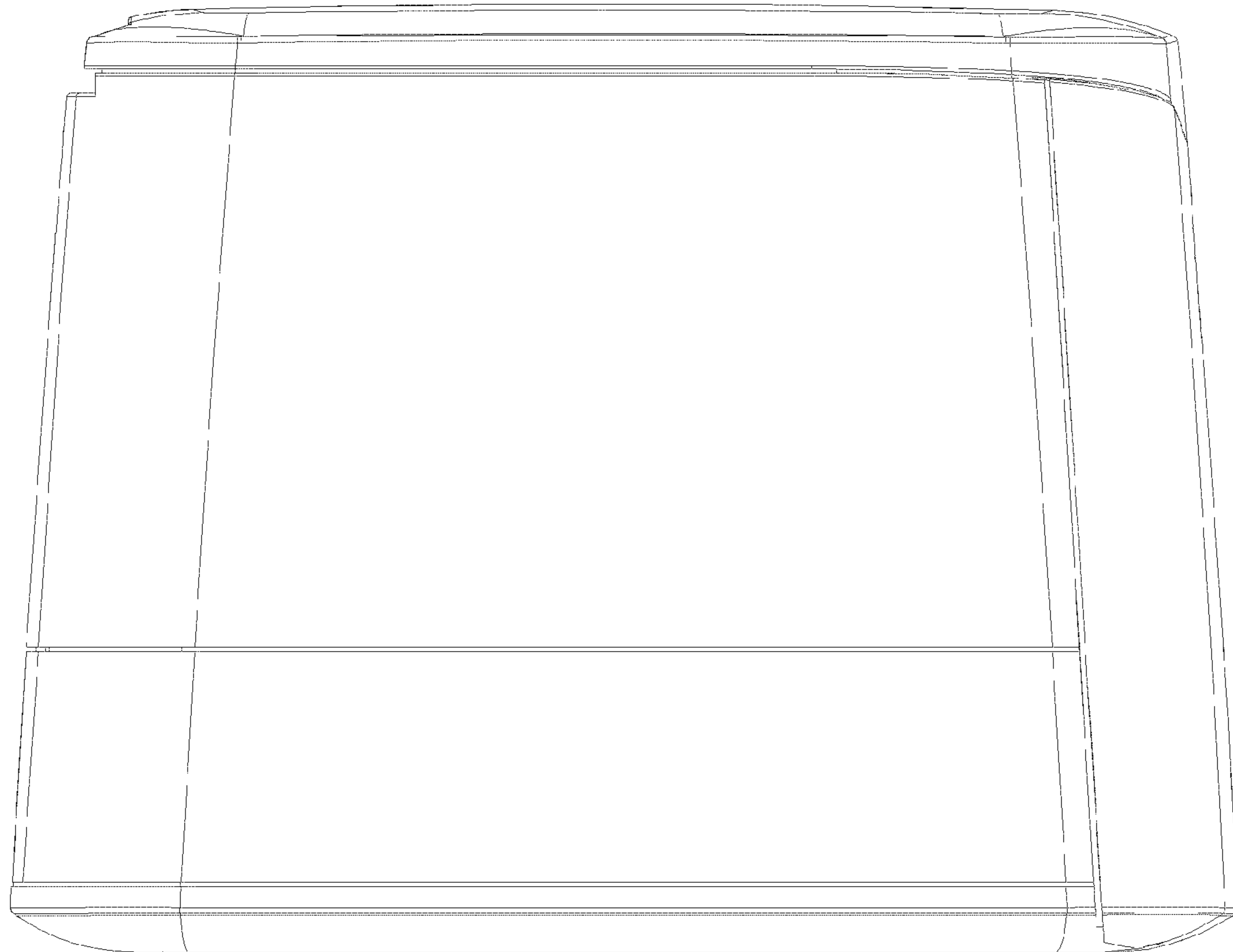


Figure 5

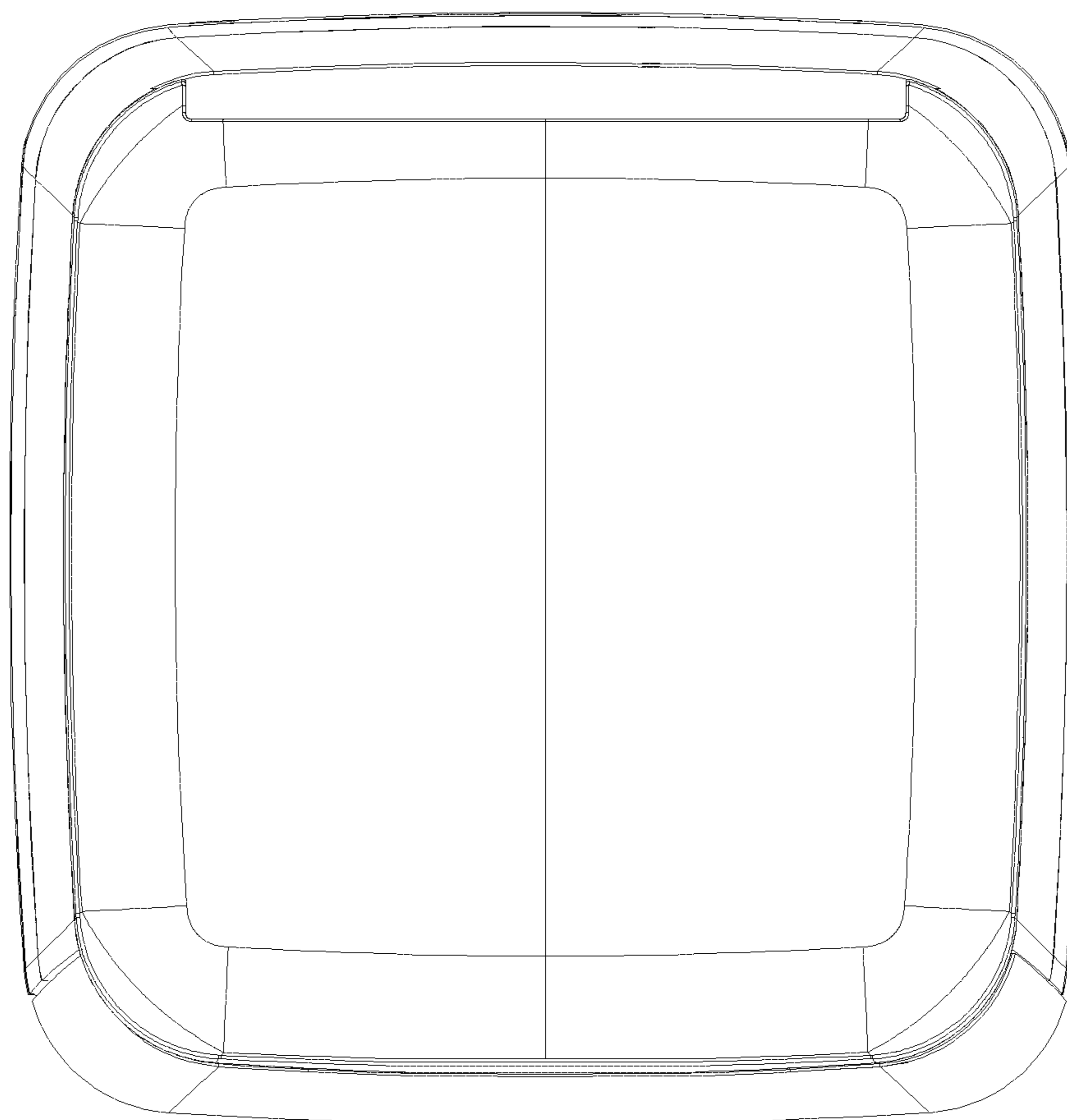


Figure 6

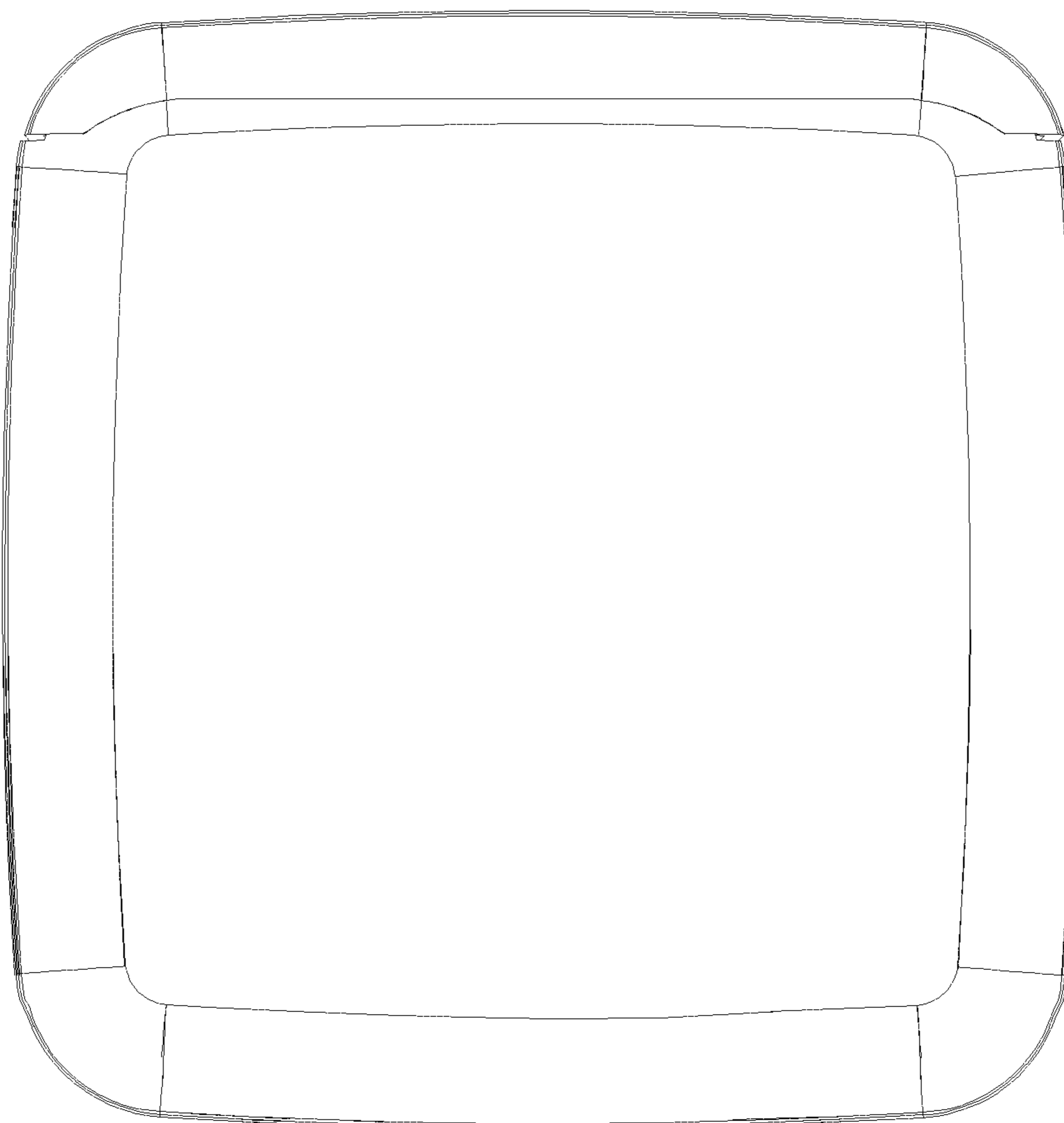


Figure 7