



US00D753811S

(12) **United States Design Patent**
Karkkainen

(10) **Patent No.:** **US D753,811 S**
(45) **Date of Patent:** **** Apr. 12, 2016**

(54) **RESPIRATORY DEVICE**

(71) Applicant: **Hapella Oy**, Kiuruvesi (FI)
(72) Inventor: **Aulis Karkkainen**, Kiuruvesi (FI)
(73) Assignee: **HAPELLA OY**, Kiuruvesi (FI)

(**) Term: **14 Years**

(21) Appl. No.: **29/500,415**

(22) Filed: **Aug. 25, 2014**

(30) **Foreign Application Priority Data**

Feb. 25, 2014 (EM) 2412015-0001

(51) **LOC (10) Cl.** **29-02**

(52) **U.S. Cl.**
USPC **D24/110; D24/108**

(58) **Field of Classification Search**
USPC D24/107, 108, 110, 127, 164
CPC A61M 15/0026; A61M 15/0025;
A61M 15/0023; A61M 15/0021; A61M 15/00;
A61M 15/0001; A61M 16/16; A61M 16/109;
A61M 16/0057; A61M 15/08; A61M
2210/0618

See application file for complete search history.

(56) **References Cited**

U.S. PATENT DOCUMENTS

D26,976 S * 4/1897 Miller D24/110
D94,699 S * 2/1935 Linn D24/110
D105,933 S * 9/1937 Balyeat D24/110
D182,860 S * 5/1958 Szajna D24/110
D499,179 S * 11/2004 Hui-Jung D24/110

D510,137 S * 9/2005 Lin D24/110
D557,405 S * 12/2007 Tran D24/110
D558,874 S * 1/2008 Tran D24/110
D590,493 S * 4/2009 Harlan D24/108
D599,215 S * 9/2009 Mulhauser D9/724
D627,057 S * 11/2010 Gallo D24/108
D627,458 S * 11/2010 Bisson D24/115
D653,953 S * 2/2012 Wakeman D9/526
8,409,152 B2 * 4/2013 Hair A61M 3/0262
128/200.14
8,888,752 B2 * 11/2014 Cacka A61H 35/04
604/278
8,991,660 B2 * 3/2015 Hair B65D 1/32
222/211
2015/0283352 A1 * 10/2015 Karkkainen A61M 16/16
128/203.26

* cited by examiner

Primary Examiner — Barbara Fox

Assistant Examiner — Lilyana Bekic

(74) *Attorney, Agent, or Firm* — Jacobson Holman, PLLC.

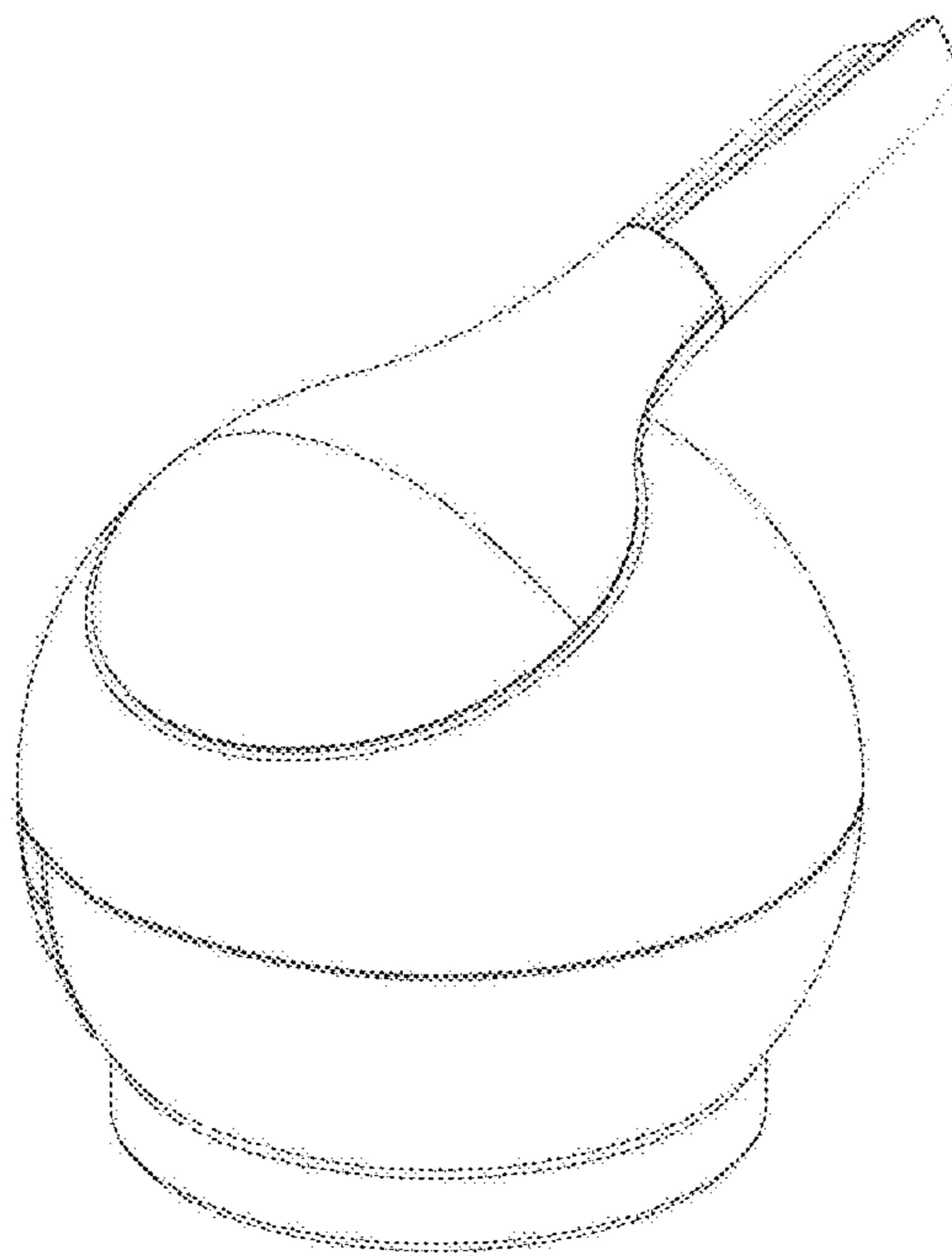
(57) **CLAIM**

I claim the ornamental design for the respiratory device, as shown and described.

DESCRIPTION

FIG. 1 is a front perspective view of the respiratory device embodying my design;
FIG. 2 is a front elevational view of FIG. 1;
FIG. 3 is a rear elevational view of FIG. 1;
FIG. 4 is a left side view of FIG. 1;
FIG. 5 is a right side view of FIG. 1;
FIG. 6 is top plan view of FIG. 1; and,
FIG. 7 is a bottom view of FIG. 1 wherein the center circle is a flat plane.

1 Claim, 7 Drawing Sheets



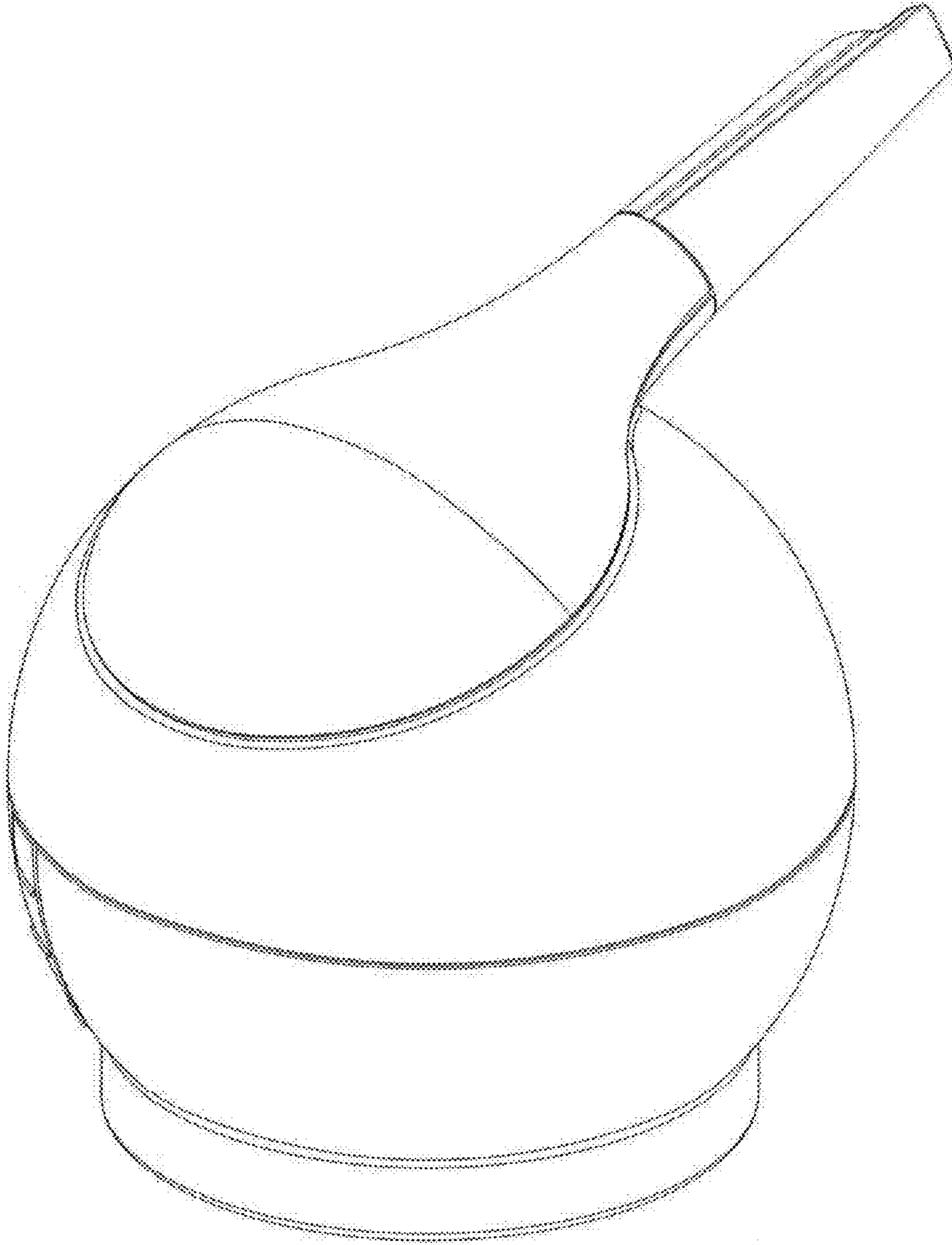


FIG. 1

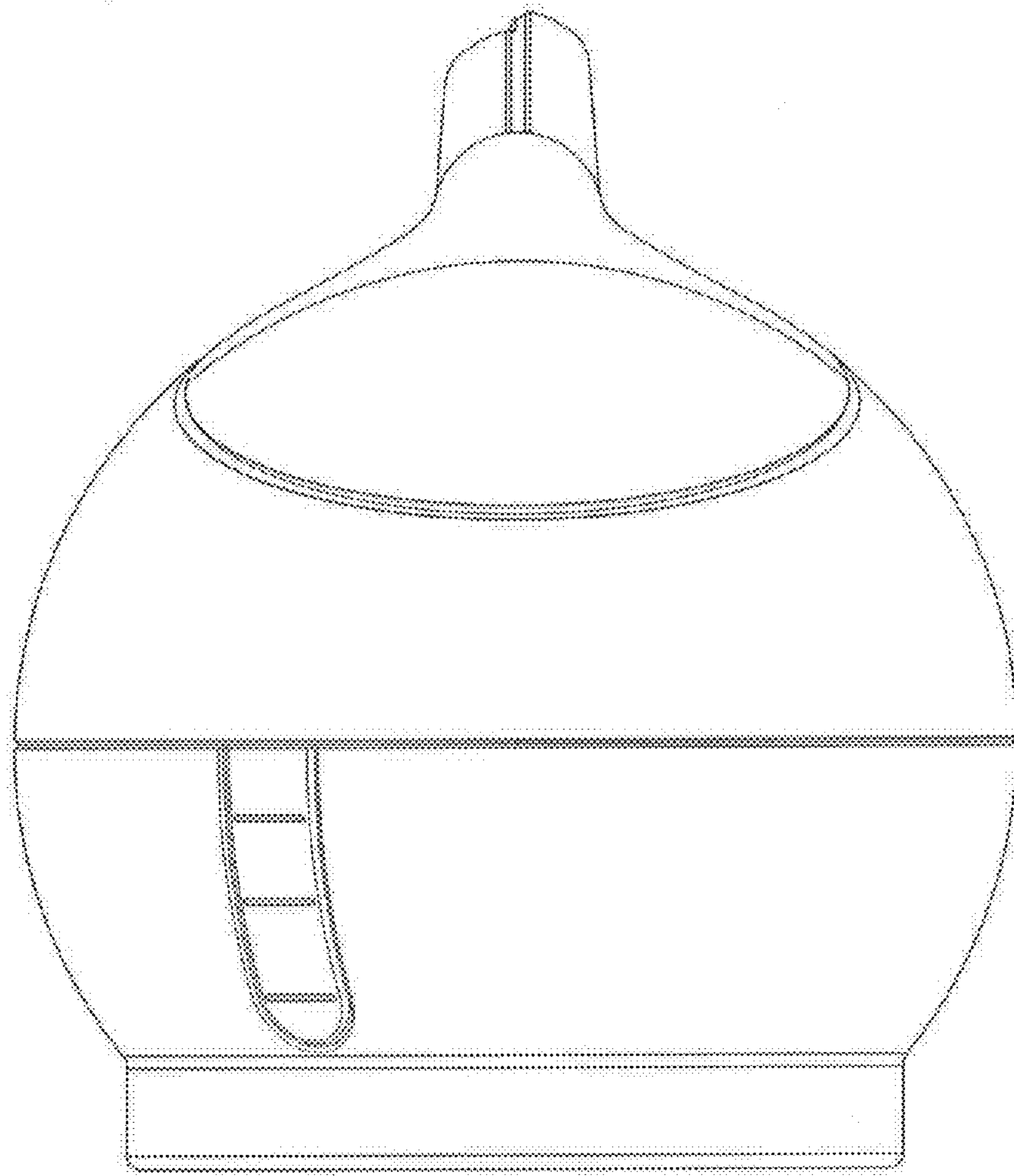


FIG. 2

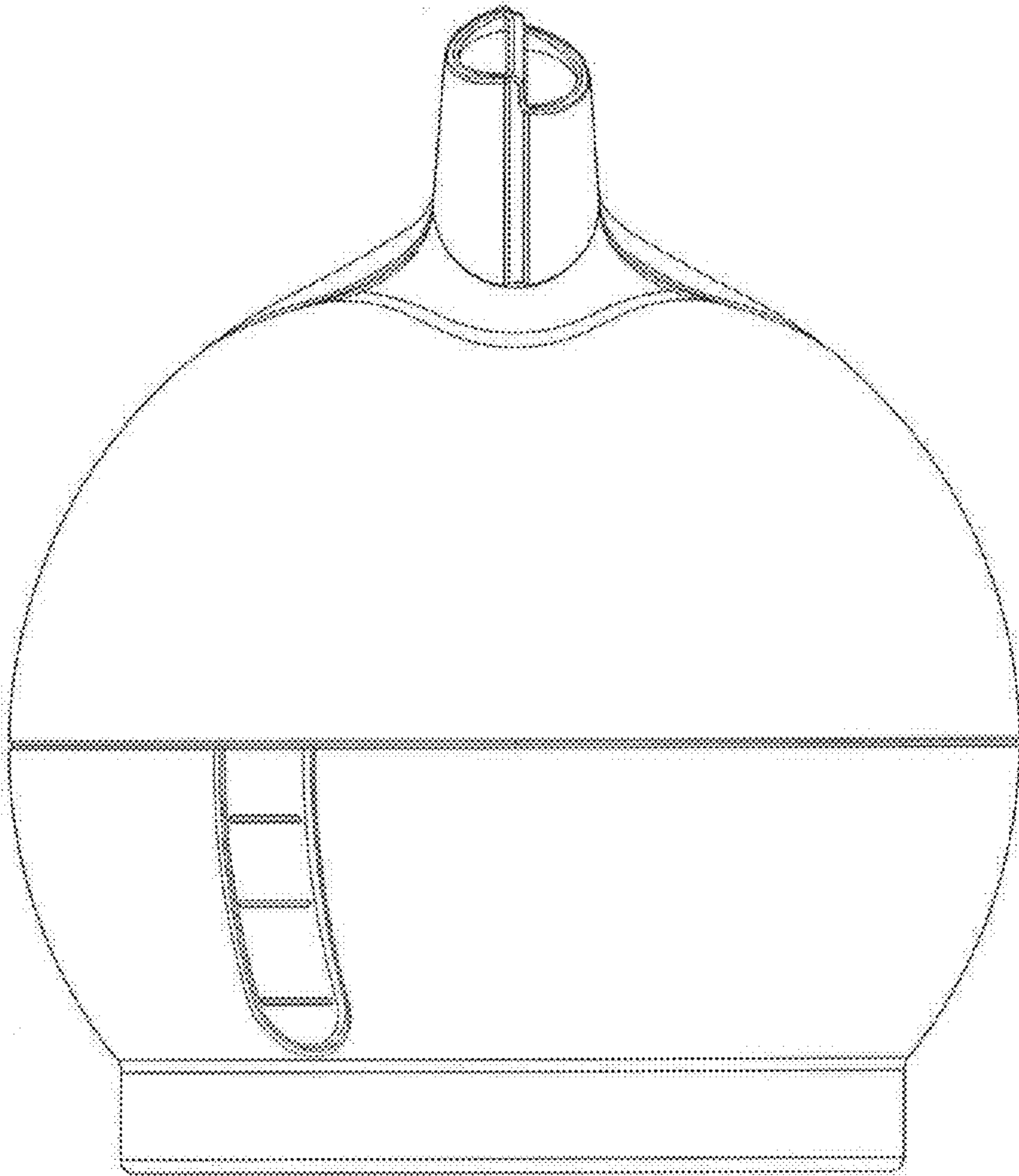


FIG. 3

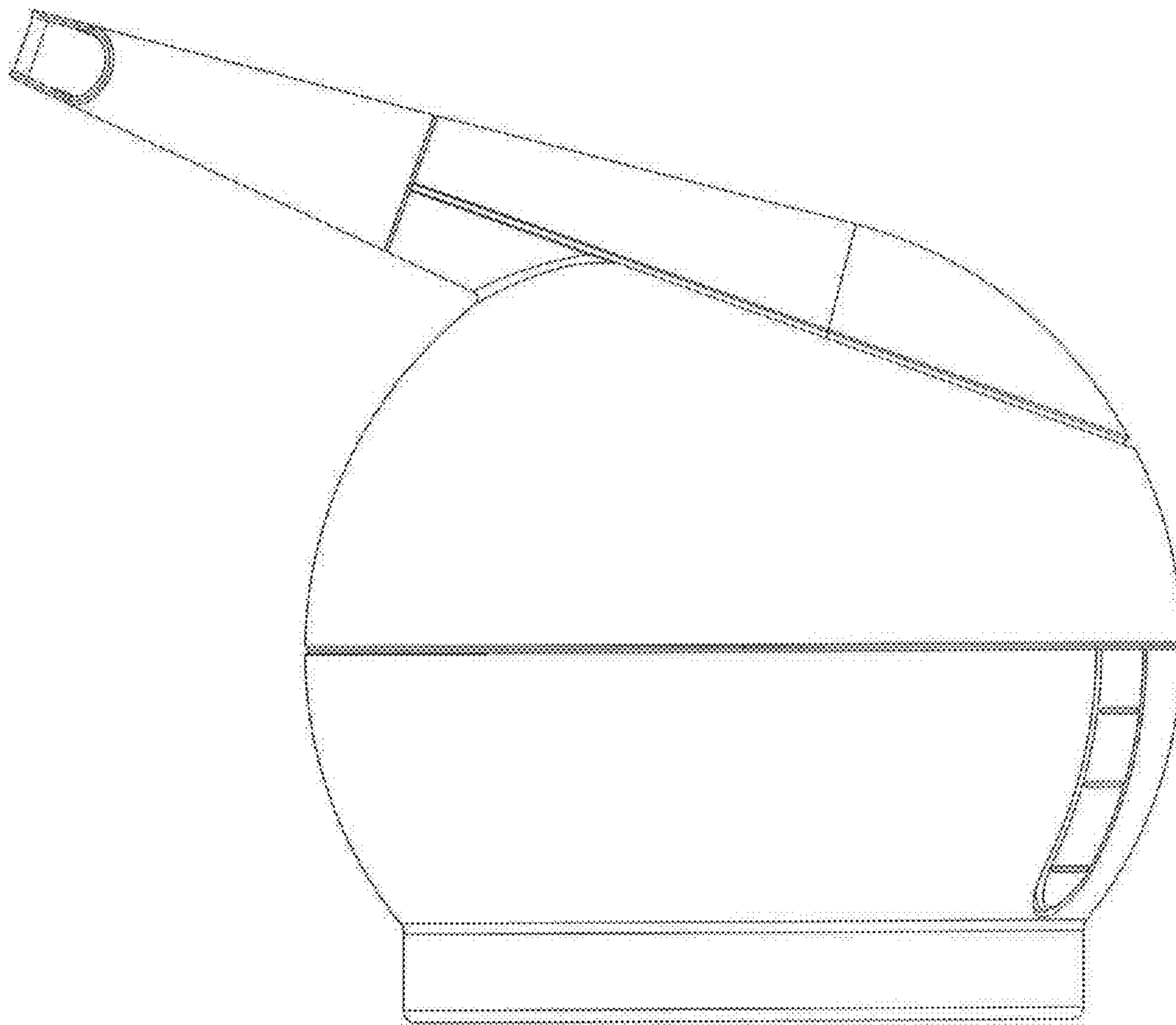


FIG. 4

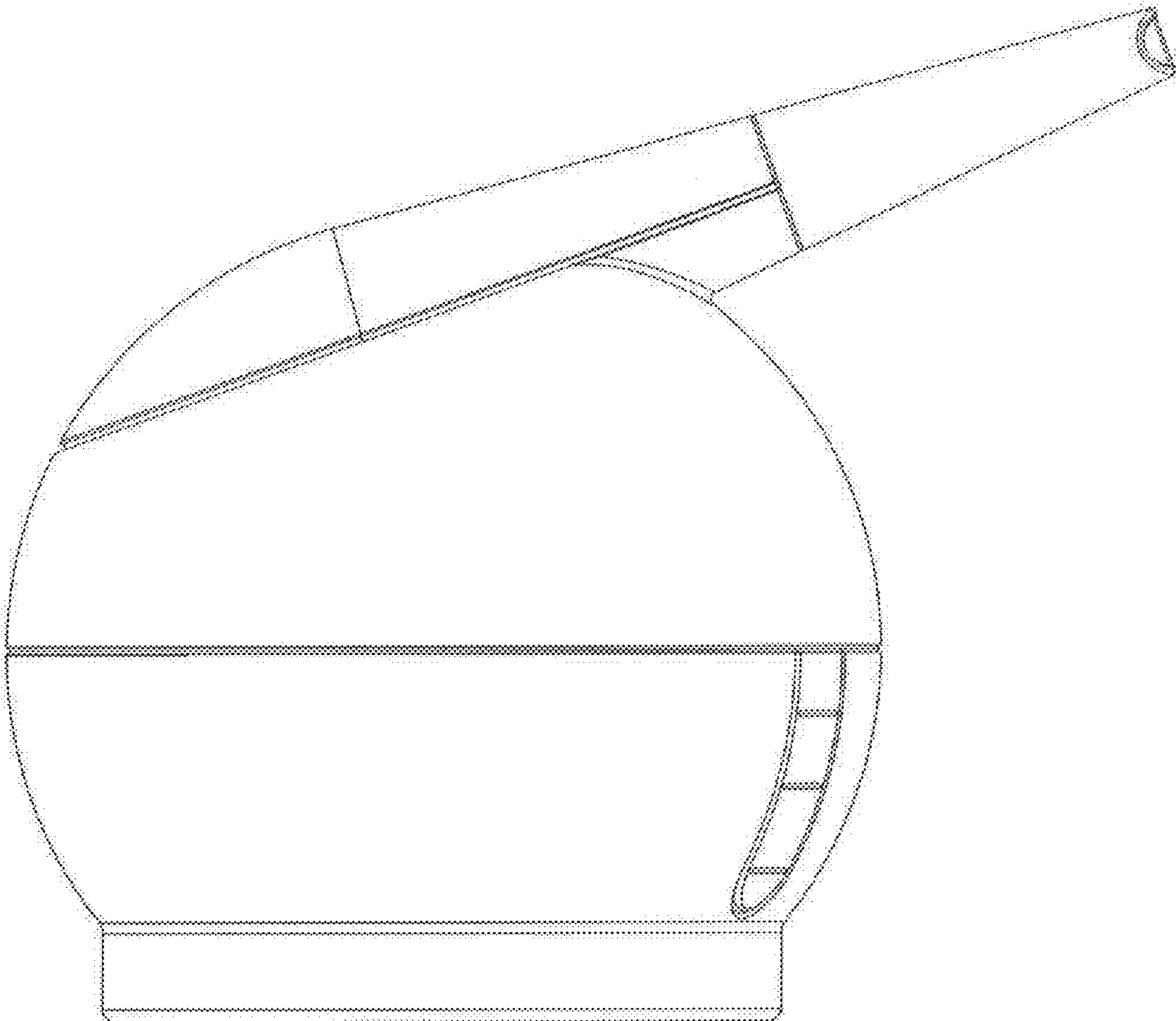


FIG. 5

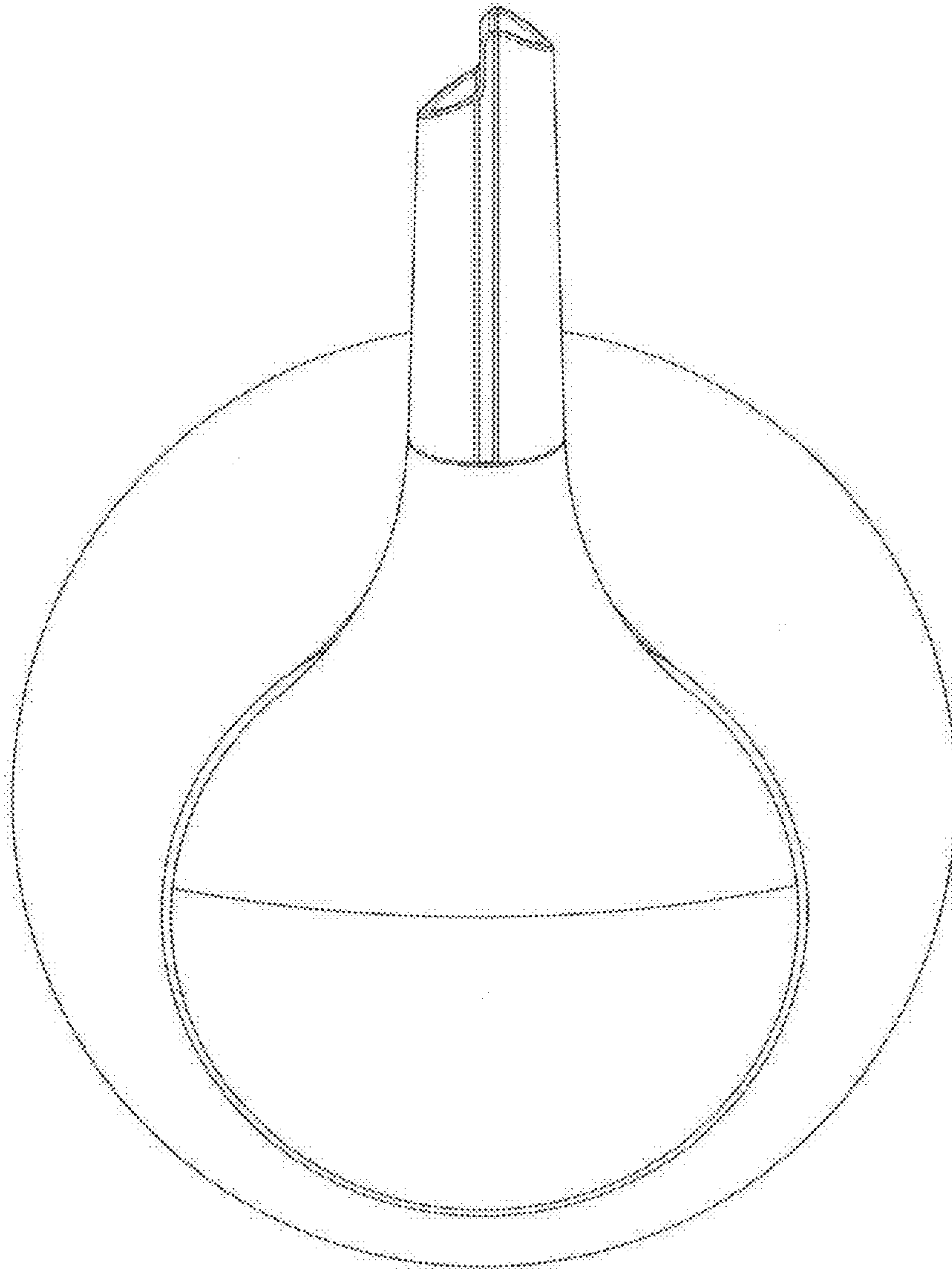


FIG. 6

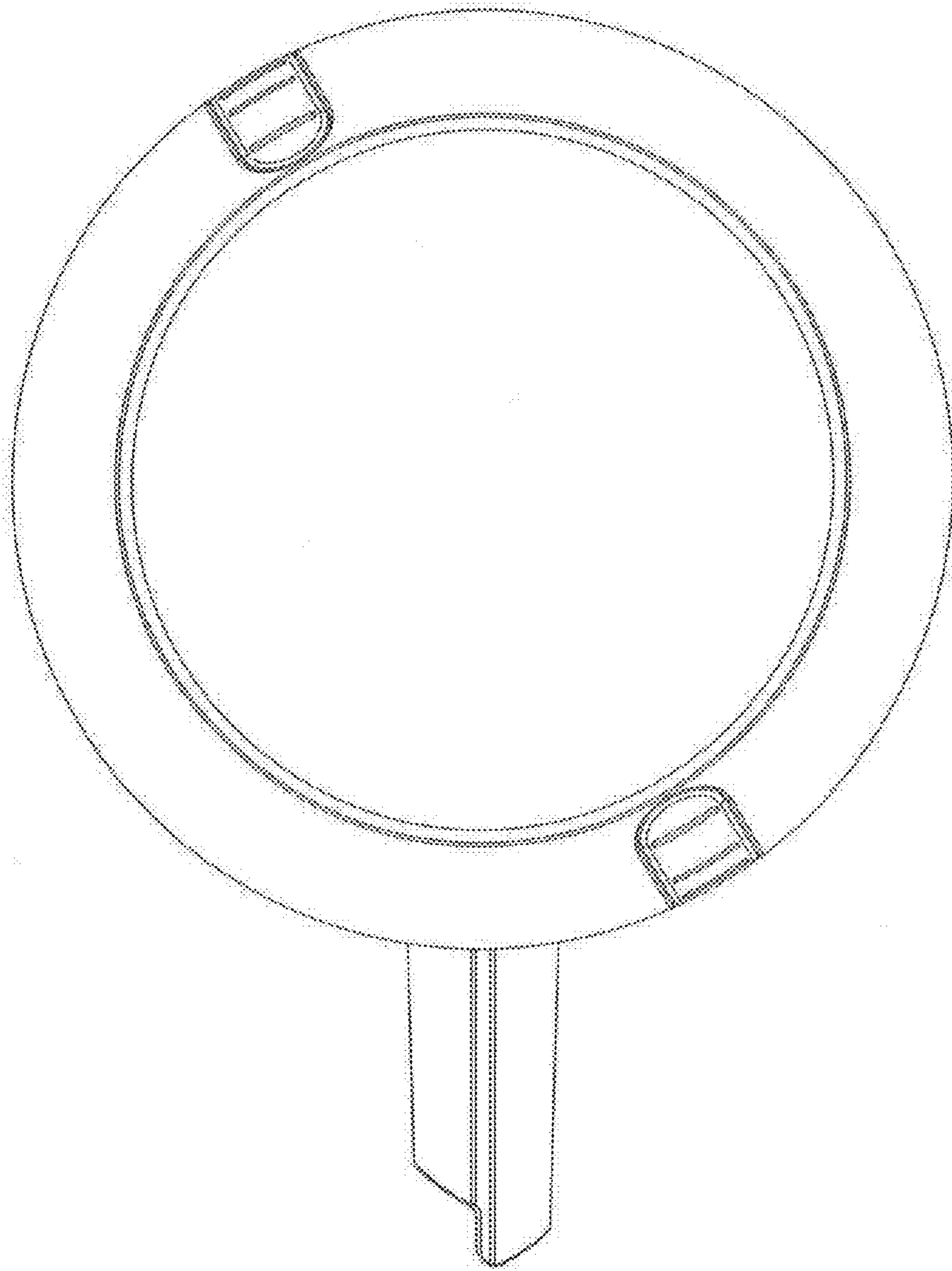


FIG. 7