



US00D753805S

(12) **United States Design Patent**  
**Moore et al.**

(10) **Patent No.:** **US D753,805 S**  
(45) **Date of Patent:** **\*\* Apr. 12, 2016**

(54) **ENCAPSULATED MOTION SENSOR  
ILLUMINATED TOILET SEAT**

(71) Applicants: **Andrew Moore**, Chesapeake, VA (US);  
**Noah Moffett, III**, Norfolk, VA (US);  
**Carlos Taylor**, Virginia Beach, VA (US)

(72) Inventors: **Andrew Moore**, Chesapeake, VA (US);  
**Noah Moffett, III**, Norfolk, VA (US);  
**Carlos Taylor**, Virginia Beach, VA (US)

(\*\*) Term: **14 Years**

(21) Appl. No.: **29/488,504**

(22) Filed: **Apr. 21, 2014**

(51) **LOC (10) Cl.** ..... **23-02**

(52) **U.S. Cl.**  
USPC ..... **D23/311**

(58) **Field of Classification Search**  
USPC ..... D23/310, 311, 296, 299, 303, 309, 295;  
D26/51  
CPC ..... A47K 13/00; A47K 13/06; A47K 13/005;  
A47K 13/24; A47K 13/28  
See application file for complete search history.

(56) **References Cited**

**U.S. PATENT DOCUMENTS**

3,045,096 A \* 7/1962 Clayton ..... A47K 13/305  
4/237  
D263,629 S \* 3/1982 Collins ..... D26/51  
4,413,364 A \* 11/1983 Bittaker ..... A47K 17/00  
4/661

D375,346 S \* 11/1996 Garcia ..... D23/311  
5,664,867 A \* 9/1997 Martin ..... F21V 33/004  
4/661  
5,748,096 A \* 5/1998 Kaufer ..... A47K 13/24  
4/661  
D397,465 S \* 8/1998 Youri ..... D26/38  
6,203,164 B1 \* 3/2001 Tufekci ..... A47K 13/24  
4/661  
6,279,180 B1 \* 8/2001 Bell ..... A47K 13/24  
4/661  
8,398,257 B1 \* 3/2013 Paulus ..... F21V 33/004  
362/101  
8,567,993 B2 \* 10/2013 Ten Wolde ..... F21S 9/022  
362/217.1

\* cited by examiner

*Primary Examiner* — Robert Delehanty

(74) *Attorney, Agent, or Firm* — William G. Sykes

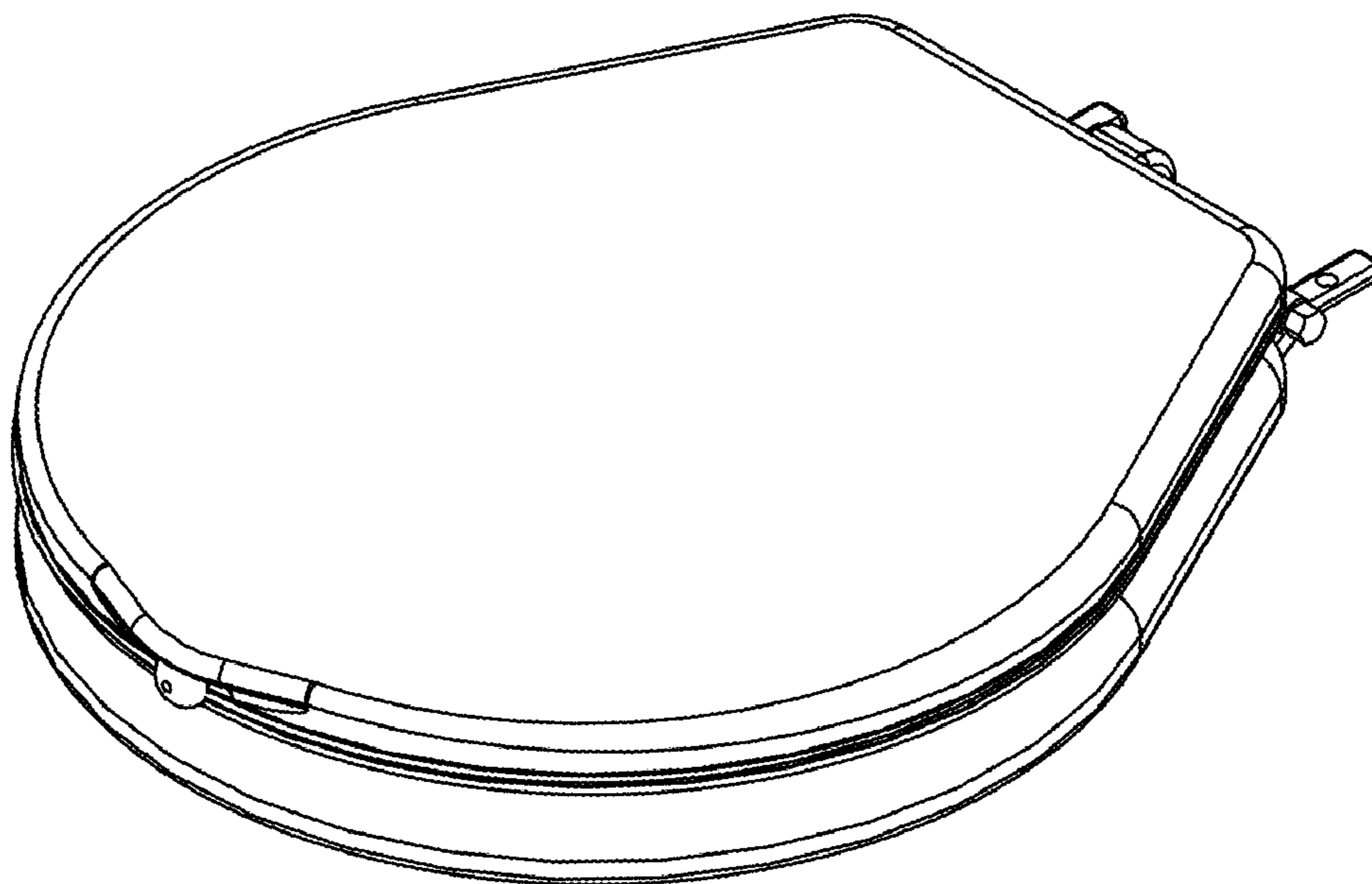
(57) **CLAIM**

The ornamental design for a encapsulated motion sensor illuminated toilet seat, as shown.

**DESCRIPTION**

FIG. 1 is a front right isometric view of a encapsulated motion sensor illuminated toilet seat showing my new design; FIG. 2 is a back right isometric view thereof; FIG. 3 is a top plan view thereof; FIG. 4 is a right side plan view thereof; FIG. 5 is a left side plan view thereof; FIG. 6 is a front plan view thereof; FIG. 7 is a back plan view thereof; and, FIG. 8 is a bottom plan view.

**1 Claim, 6 Drawing Sheets**



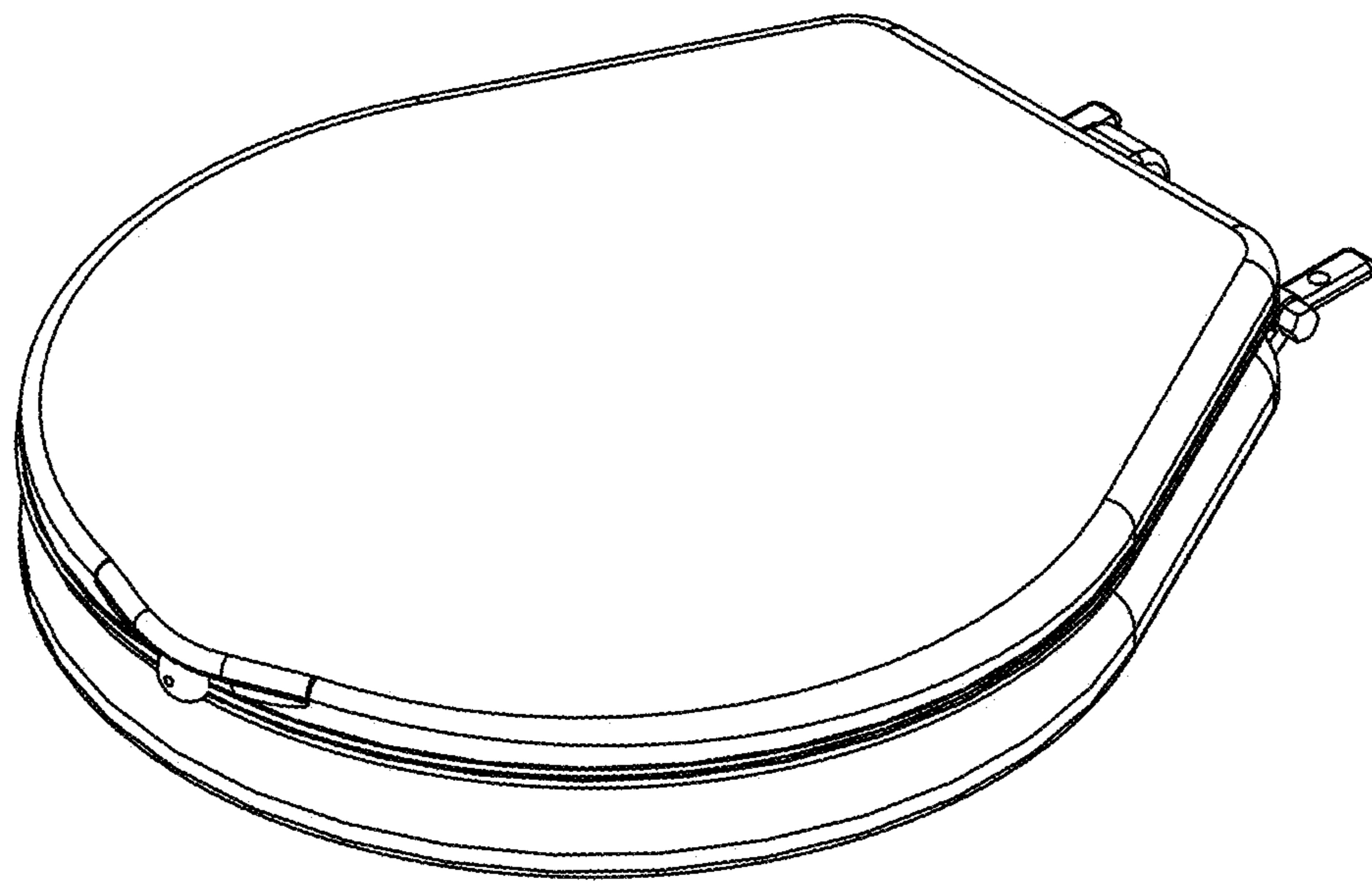


Fig. 1

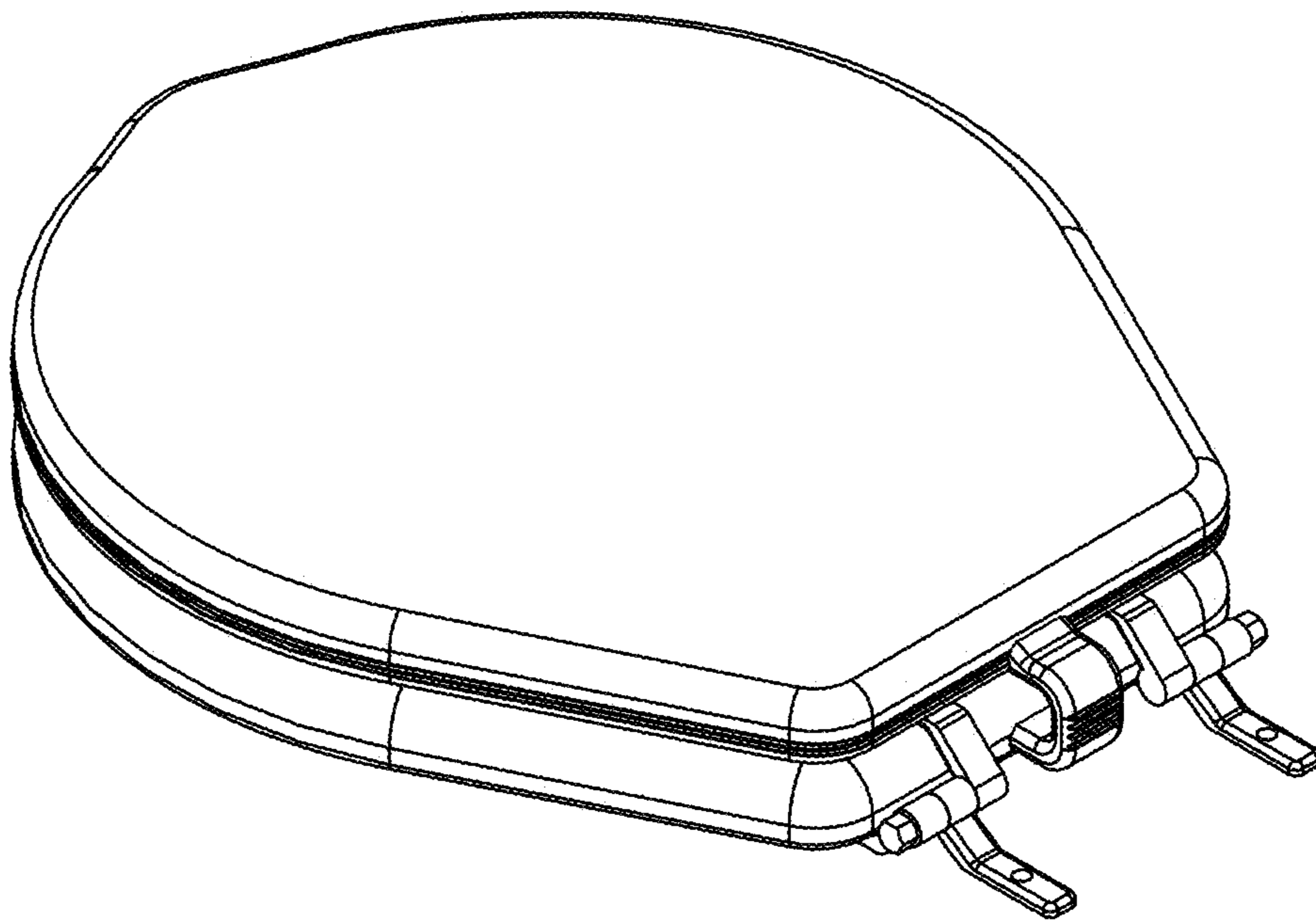


Fig. 2

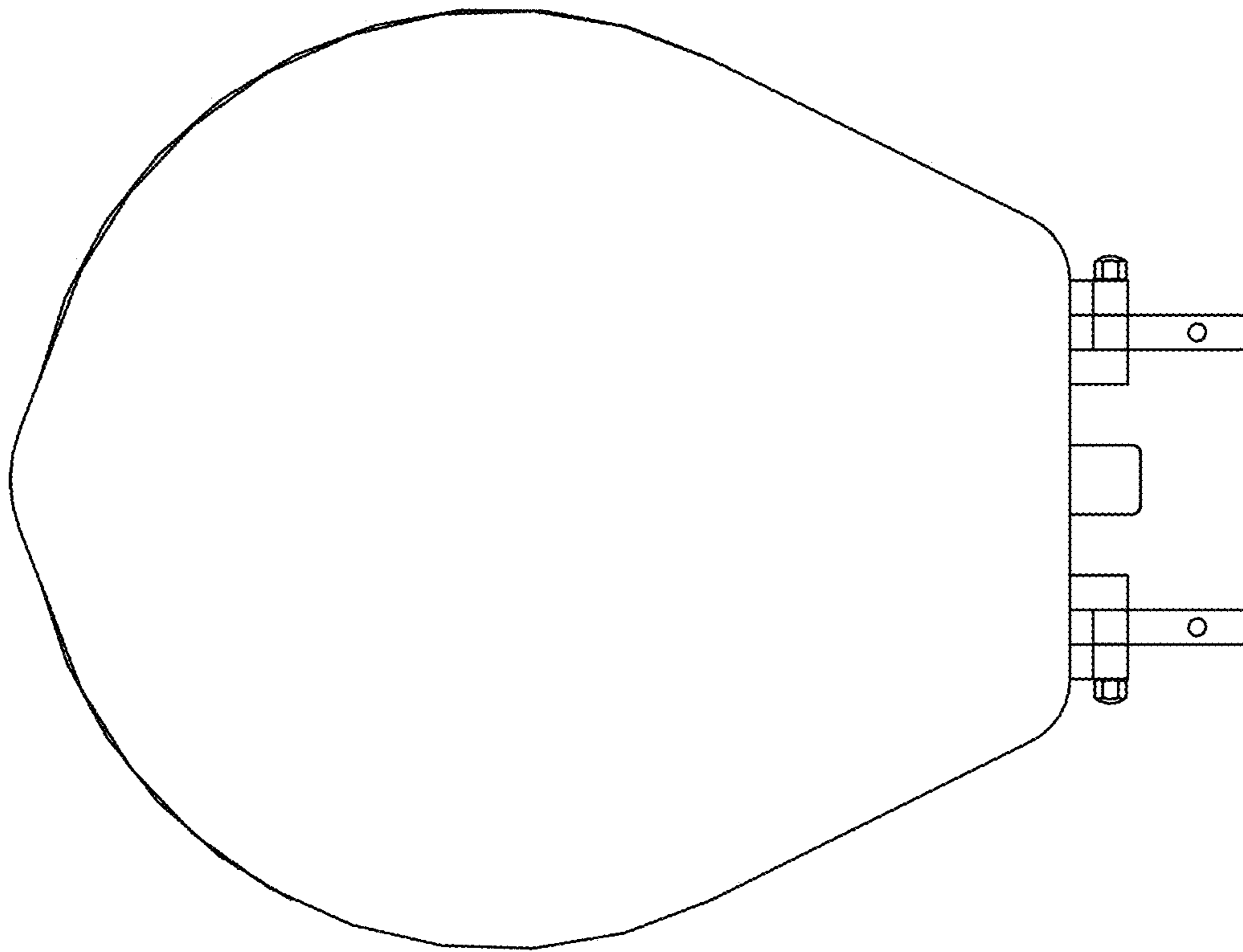


Fig. 3

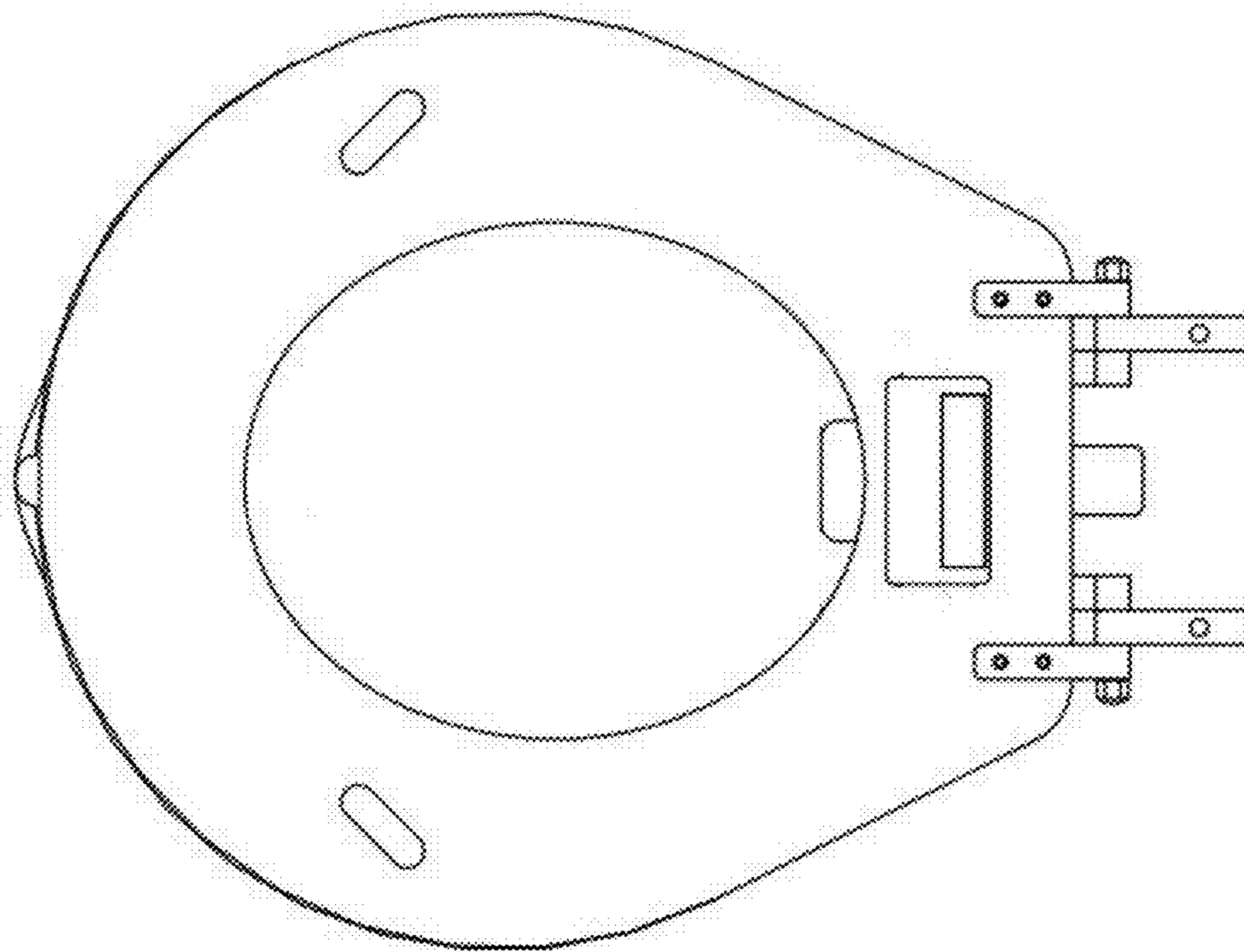


Fig. 4

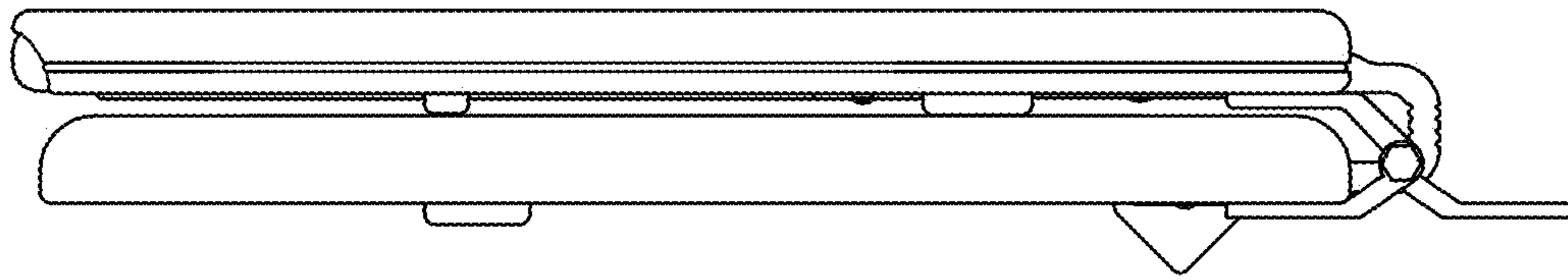


Fig. 5

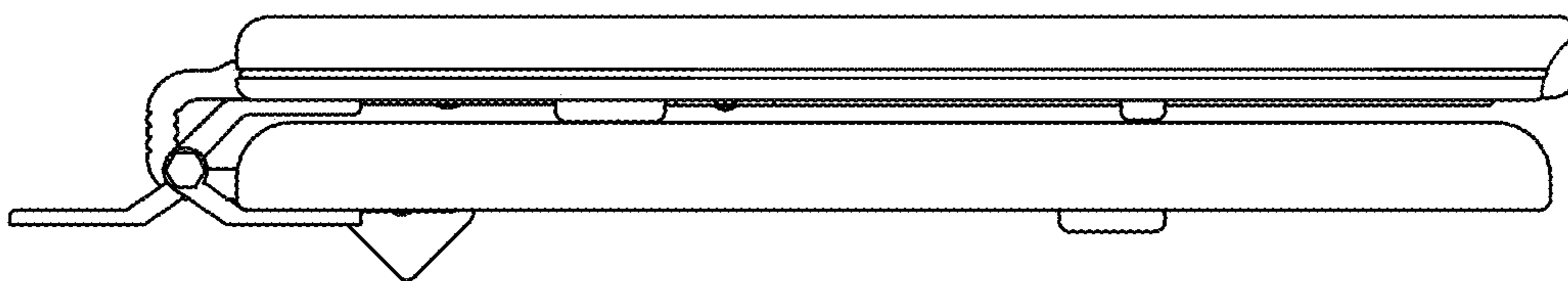


Fig. 6

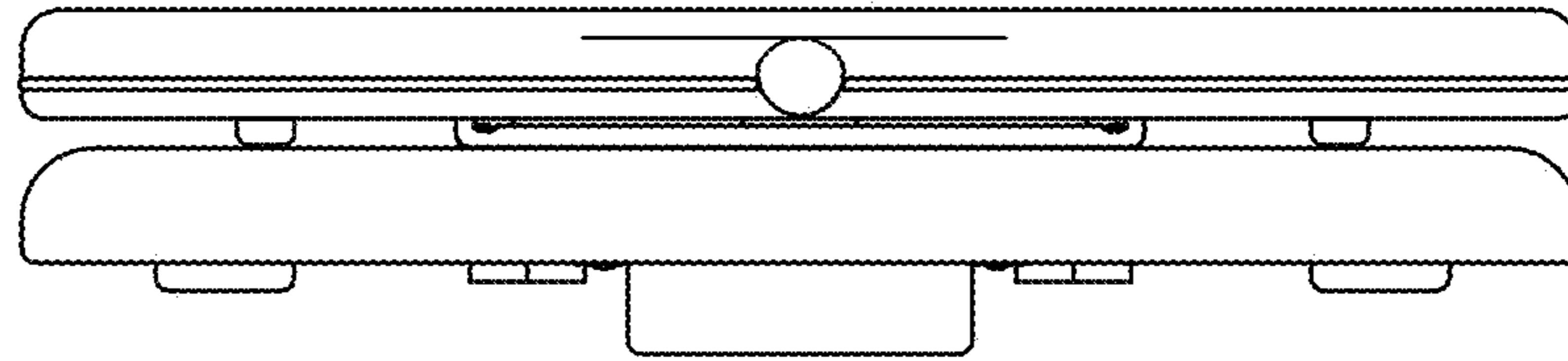


Fig. 7

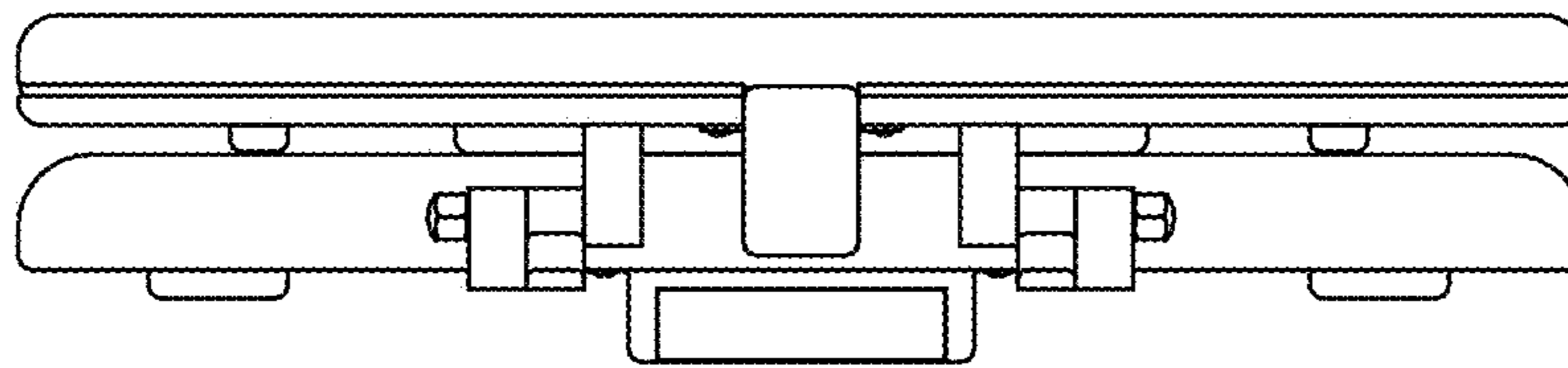


Fig. 8