



US00D753804S

(12) **United States Design Patent**  
**Taingtae et al.**

(10) **Patent No.:**         **US D753,804 S**  
(45) **Date of Patent:**   \*\* **Apr. 12, 2016**

(54) **BATH**

(71) Applicant: **Kohler Co.**, Kohler, WI (US)

(72) Inventors: **Weerasak N. Taingtae**, Sheboygan Falls, WI (US); **Sarah K. O'Brien**, Sheboygan, WI (US); **Mary J. Reid**, Sheboygan, WI (US)

(73) Assignee: **KOHLER CO.**, Kohler, WI (US)

(\*\*) Term:       **14 Years**

(21) Appl. No.: **29/504,067**

(22) Filed:      **Oct. 1, 2014**

(51) **LOC (10) Cl.** ..... **23-02**

(52) **U.S. Cl.**  
USPC ..... **D23/304**

(58) **Field of Classification Search**  
USPC ..... D23/277-278, 280.1, 280.3-280.4, 275,  
D23/304, 306; D24/204-205  
CPC ..... A47K 4/00; A47K 3/02; A47K 3/00  
See application file for complete search history.

(56)             **References Cited**

U.S. PATENT DOCUMENTS

- D95,375 S \* 4/1935 Morgan ..... D23/280.4  
D235,105 S 5/1975 Doman  
D321,556 S 11/1991 Reid et al.  
D329,084 S 9/1992 Dannenberg  
D334,424 S 3/1993 O'Connell  
D335,332 S 5/1993 O'Connell  
D354,115 S 1/1995 McKeone  
D444,547 S 7/2001 Kuo  
D448,457 S 9/2001 Funk  
D482,762 S 11/2003 Thomas et al.  
D482,763 S 11/2003 Thomas  
D524,925 S \* 7/2006 Lanius ..... D23/280.1  
D525,687 S 7/2006 Kohler et al.  
D530,402 S 10/2006 Soulier

- D539,392 S 3/2007 Hood  
D540,439 S \* 4/2007 Bruce ..... D23/277  
D547,832 S 7/2007 Kohler et al.  
D560,768 S 1/2008 Smith  
D594,939 S 6/2009 Bates  
D594,940 S 6/2009 Bates  
D595,817 S 7/2009 Stanchak et al.

(Continued)

*Primary Examiner* — Robert Delehanty

(74) *Attorney, Agent, or Firm* — Foley & Lardner LLP

(57)             **CLAIM**

We claim the ornamental design for a bath, as shown and described.

**DESCRIPTION**

FIG. 1 is a perspective view of an embodiment of the claimed design;

FIG. 2 is a top view of the claimed design shown in FIG. 1; FIG. 3 is a bottom view of the claimed design shown in FIG. 1;

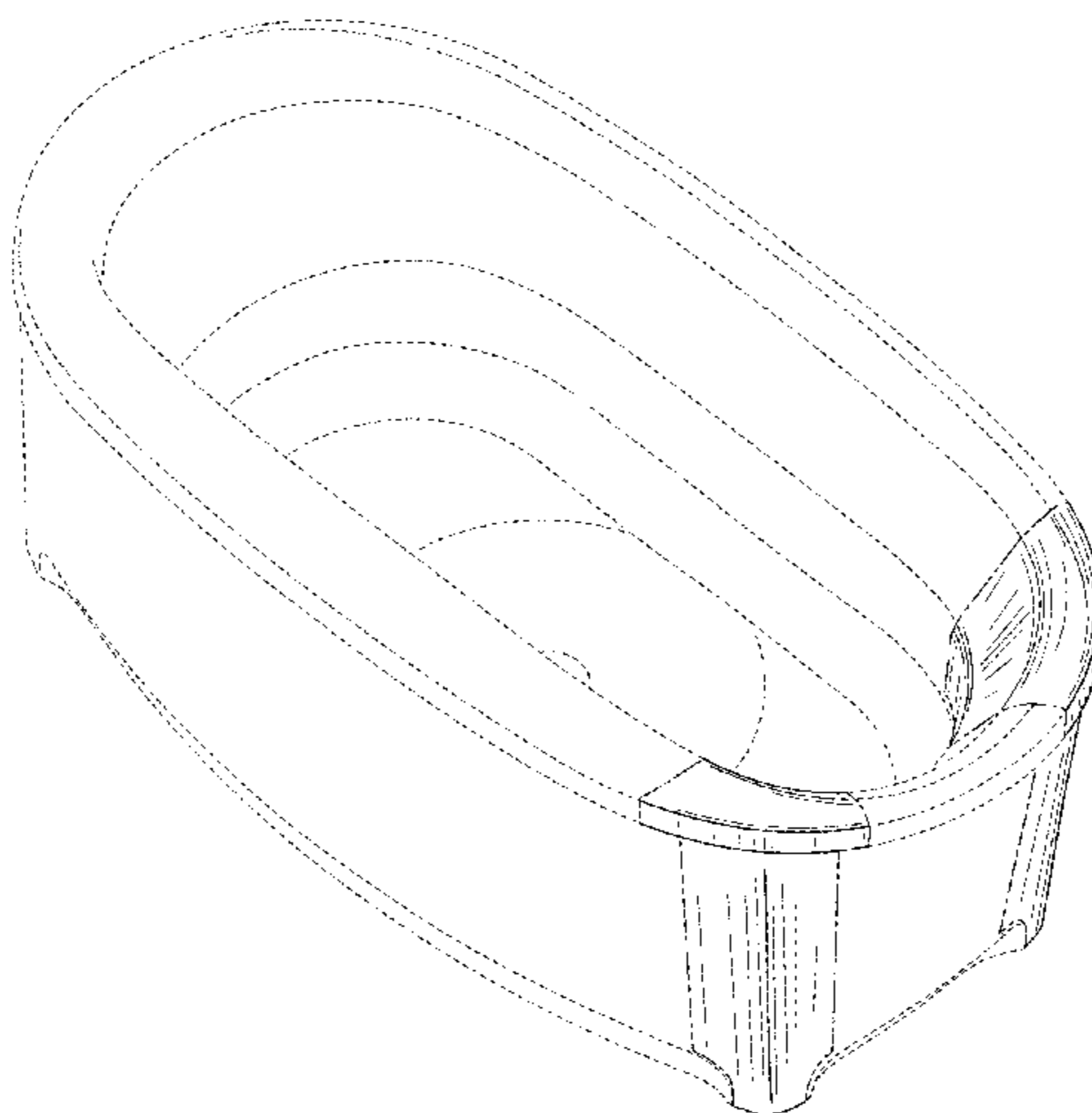
FIG. 4 is a front view of the claimed design shown in FIG. 1; FIG. 5 is a cross-sectional view of the claimed design shown in FIG. 1 taken along line 5-5 of FIG. 2;

FIG. 6 is a side view of the claimed design shown in FIG. 1; and,

FIG. 7 is a cross-sectional view of the claimed design shown in FIG. 1 taken along line 7-7 of FIG. 2.

The ornamental design that is claimed is shown in the drawings as solid lines and surfaces having surface shading. The broken lines in the drawings are for illustrative purposes only and form no part of the claimed design. For example, broken lines formed by equal length dashes show unclaimed portions of the design. Broken lines formed of unequal length dashes (i.e., dash-dot) show boundaries between claimed and unclaimed portions of the design. Break lines having a jagged element are not part of the claimed design and show that differing lengths of the portion are possible.

**1 Claim, 6 Drawing Sheets**



# US D753,804 S

Page 2

---

(56)

## References Cited

### U.S. PATENT DOCUMENTS

D601,673 S 10/2009 Reid et al.  
D608,428 S 1/2010 Reid et al.  
D608,429 S 1/2010 Reid et al.

D613,840 S 4/2010 Reid et al.  
D615,636 S \* 5/2010 Reid et al. .... D23/304  
D633,603 S 3/2011 Su  
D633,604 S 3/2011 Hoh et al.  
D726,291 S \* 4/2015 Spangler ..... D23/277

\* cited by examiner

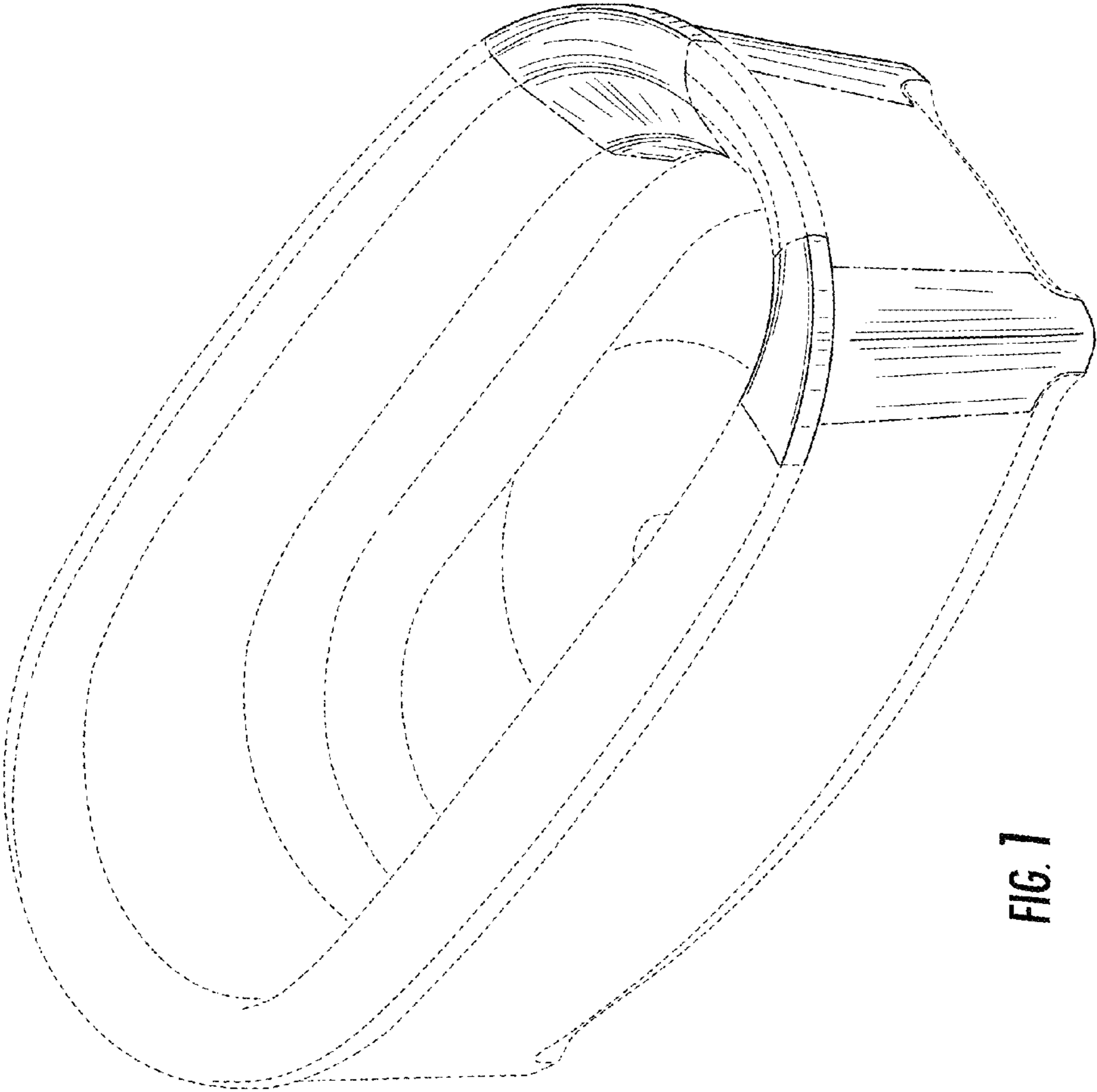


FIG. 7

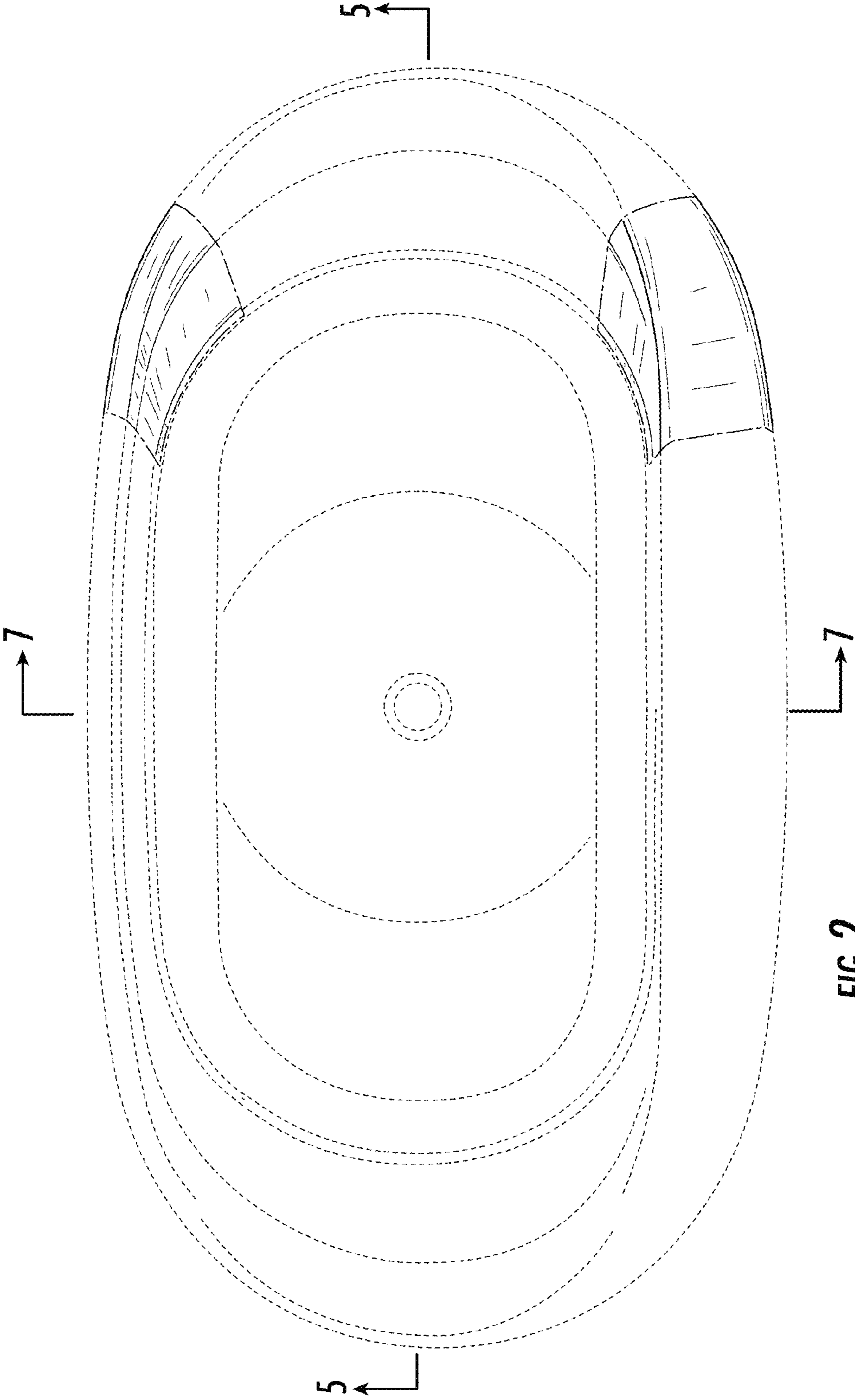


FIG. 2

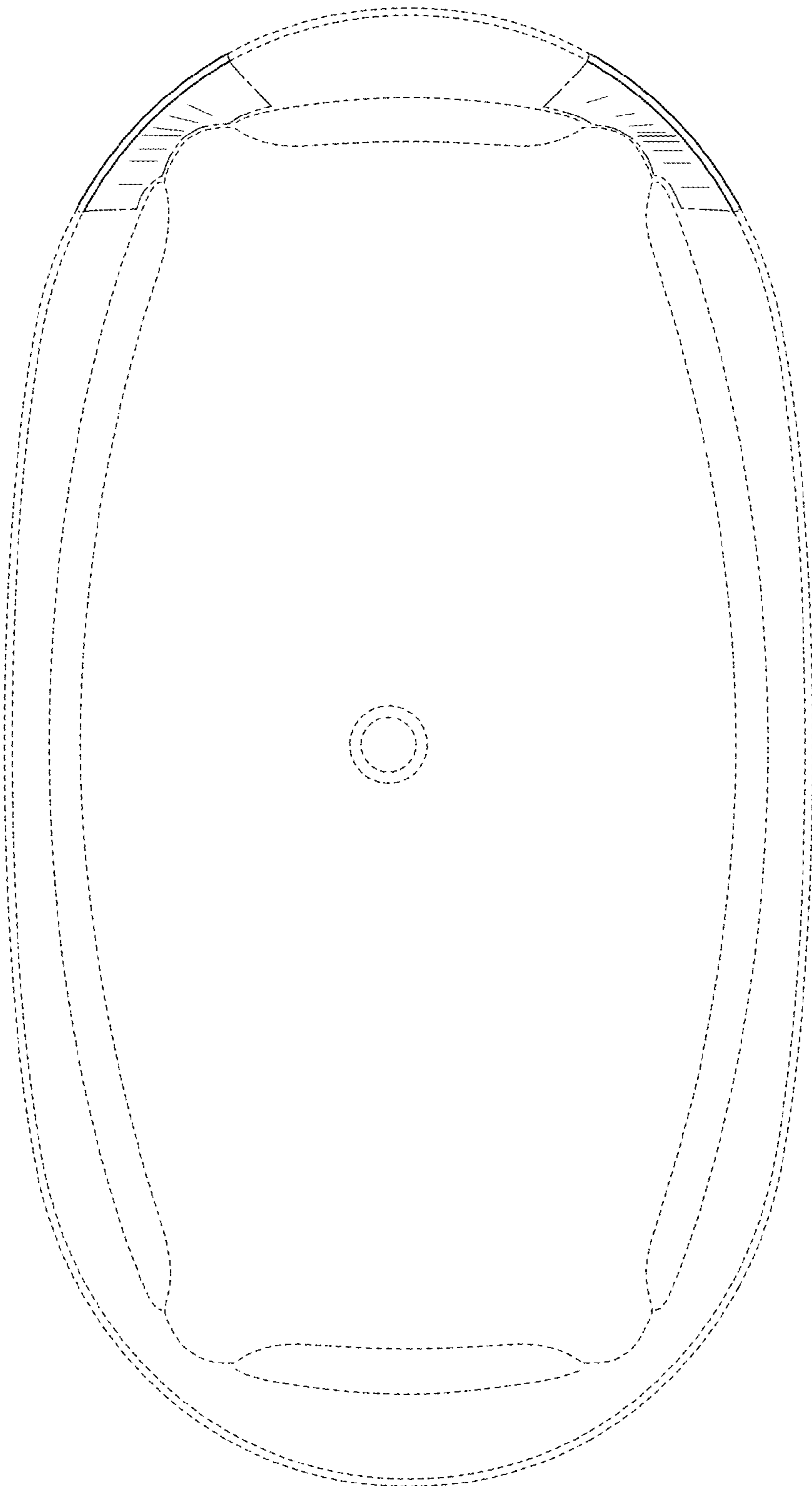


FIG. 3

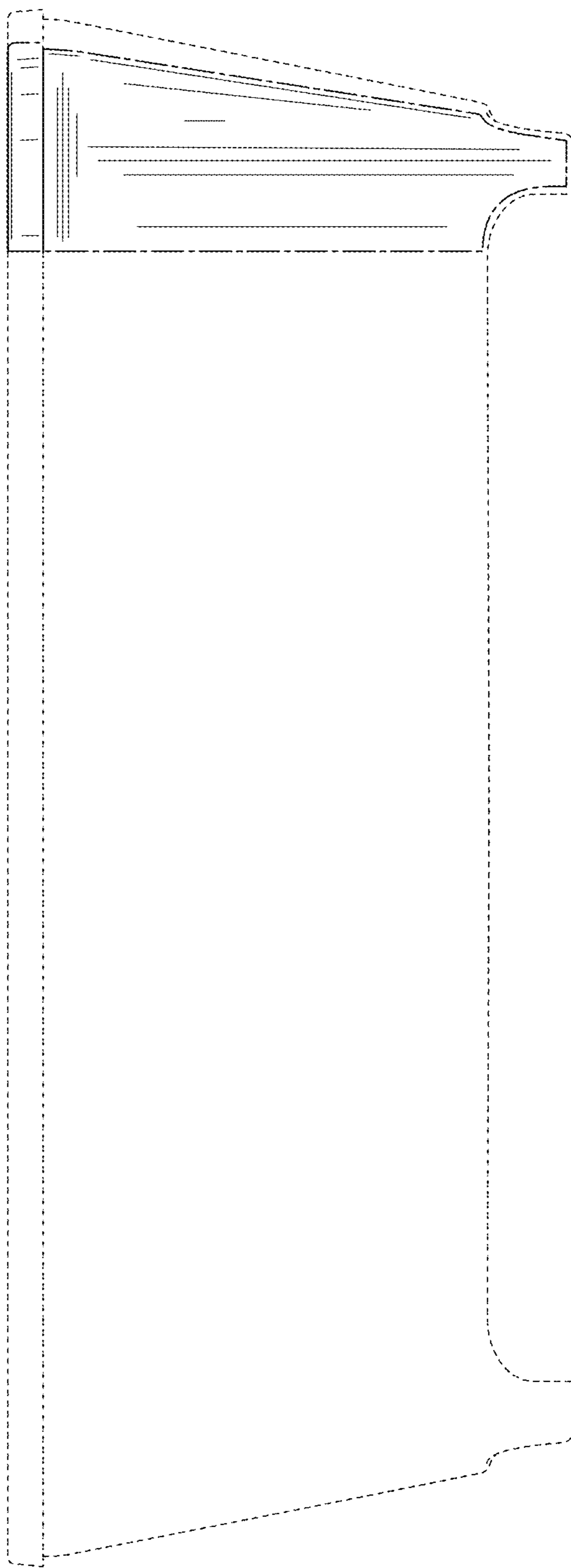


FIG. 4

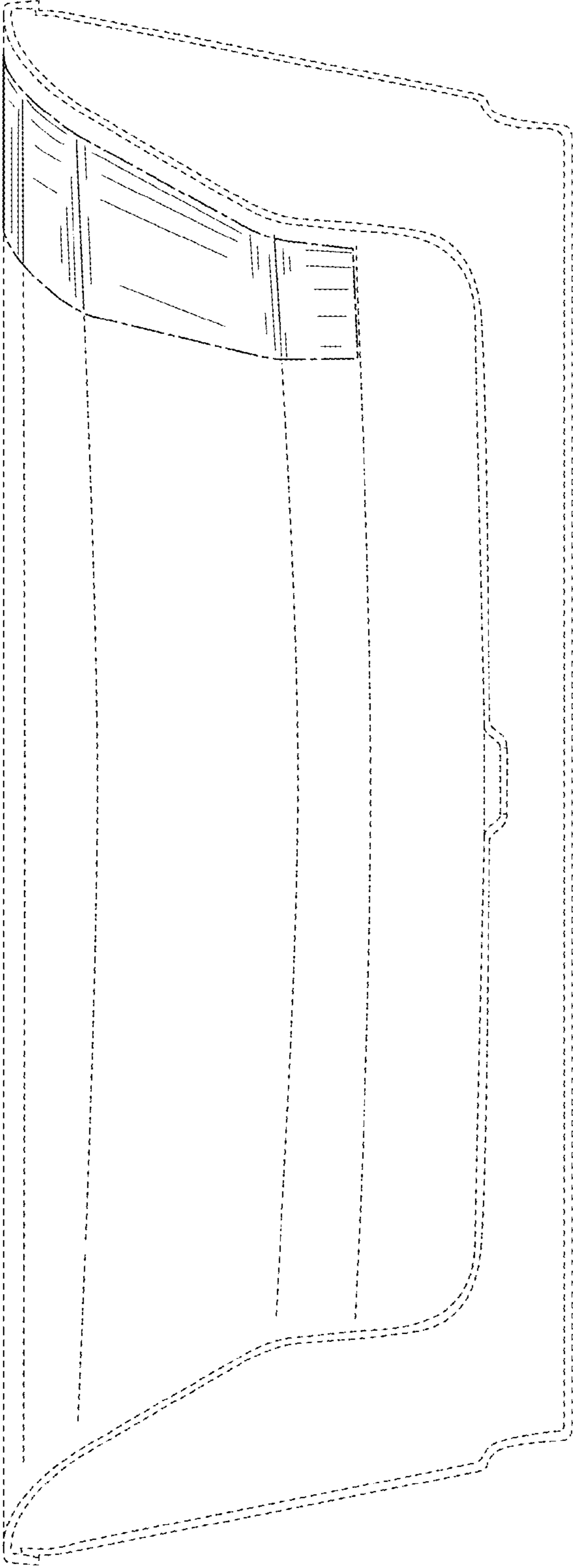


FIG. 5

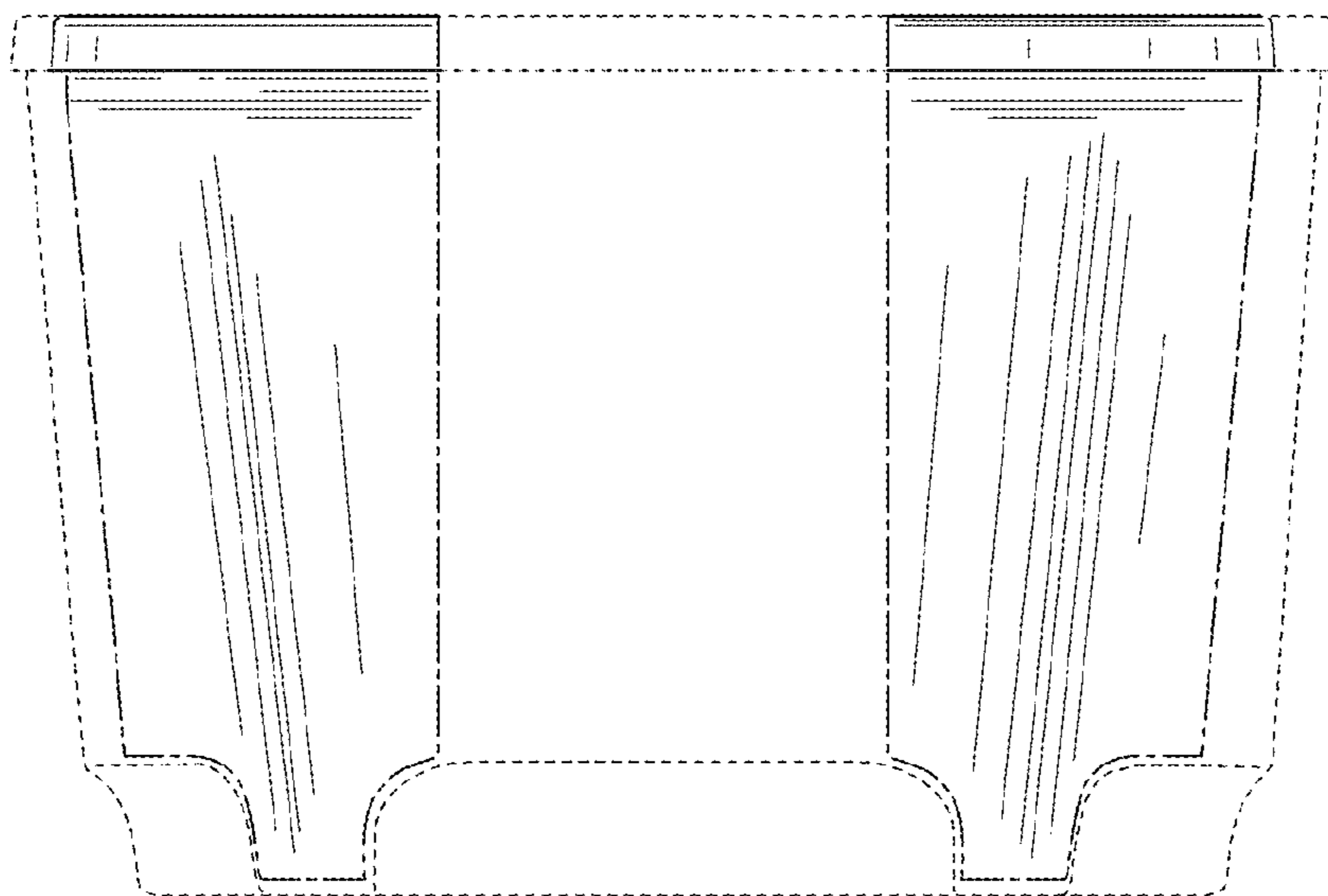


FIG. 6

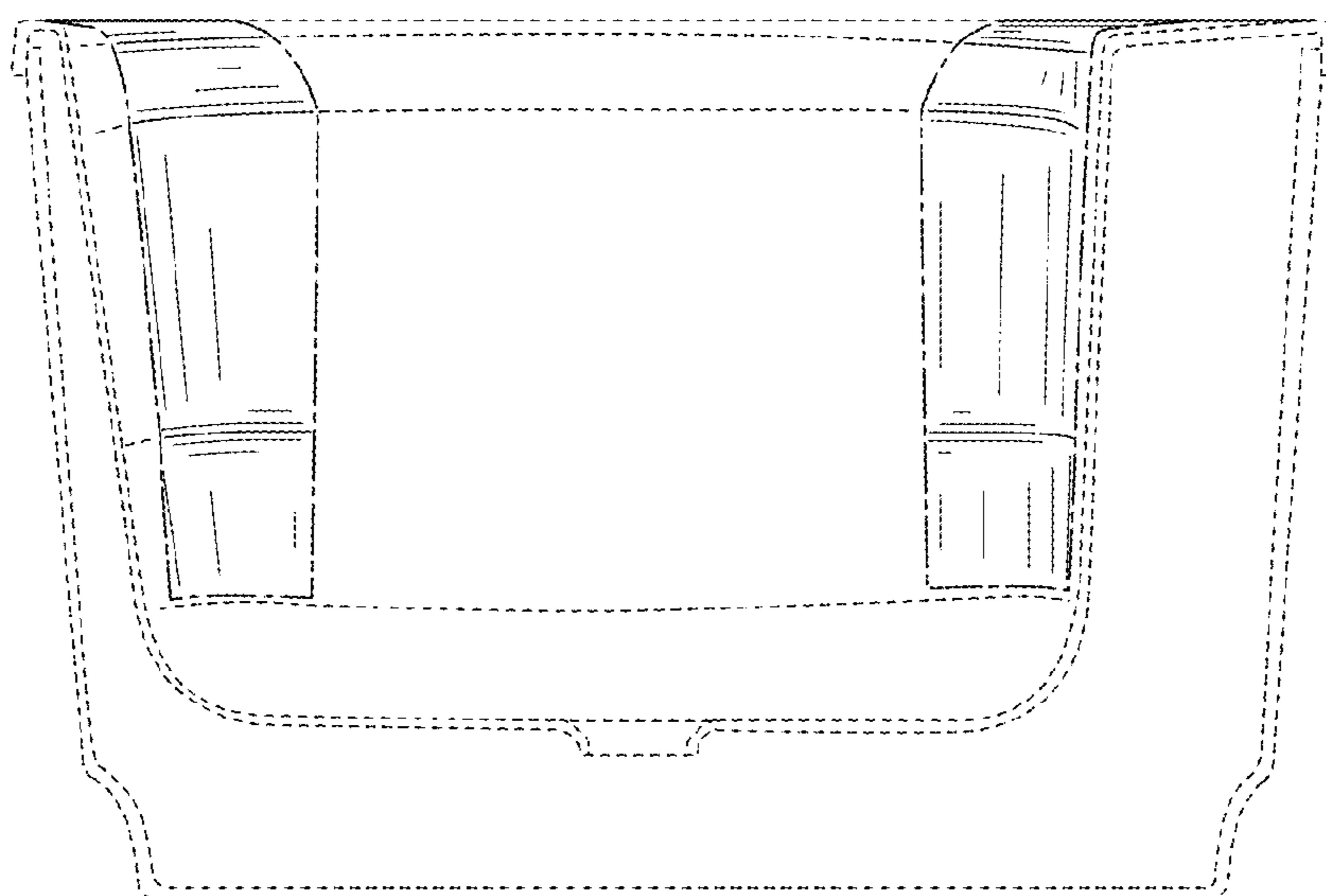


FIG. 7