



US00D753803S

(12) **United States Design Patent**
Gompper et al.

(10) **Patent No.:** **US D753,803 S**
(45) **Date of Patent:** **** Apr. 12, 2016**

(54) **SINK AND FAUCET ASSEMBLY**

(71) Applicants: **Brion Gompper**, Lakewood, NJ (US);
Viranjitsinh Chudasama, Toms River,
NJ (US)

(72) Inventors: **Brion Gompper**, Lakewood, NJ (US);
Viranjitsinh Chudasama, Toms River,
NJ (US)

(73) Assignee: **COMPONENT HARDWARE**
GROUP, INC., Lakewood, NJ (US)

(**) Term: **14 Years**

(21) Appl. No.: **29/521,936**

(22) Filed: **Mar. 26, 2015**

(51) **LOC (10) Cl.** **23-02**

(52) **U.S. Cl.**
USPC **D23/284**

(58) **Field of Classification Search**
USPC D23/271–274, 284, 286, 291–293.1,
D23/303, 308
CPC E03C 1/00; E03C 1/01; E03C 1/02;
E03C 1/12; E03C 1/18

See application file for complete search history.

(56) **References Cited**

U.S. PATENT DOCUMENTS

D382,332 S *	8/1997	Schwartz	D23/284
D415,261 S *	10/1999	Thomas	D23/284
D544,073 S *	6/2007	DeGarmo	D23/284
D589,128 S *	3/2009	Mitrani	D23/284
D677,772 S *	3/2013	Mendoza	D23/293.1

* cited by examiner

Primary Examiner — Robert Delehanty

(74) *Attorney, Agent, or Firm* — Francis C. Hand; Carella,
Bryne, et al.

(57) **CLAIM**

The ornamental design of a sink and faucet assembly, as
shown and described.

DESCRIPTION

FIG. 1 illustrates a perspective top view of a sink and faucet
assembly in accordance with the invention;
FIG. 2 illustrates a front view of the sink and faucet assembly
of FIG. 1;
FIG. 3 illustrates a back view of the sink and faucet assembly
of FIG. 1;
FIG. 4 illustrates a right side view of the sink and faucet
assembly of FIG. 1;
FIG. 5 illustrates a left side view of the sink and faucet
assembly of FIG. 1;
FIG. 6 illustrates a top view of the sink and faucet assembly of
FIG. 1; and,
FIG. 7 illustrates a bottom view of the sink and faucet assem-
bly of FIG. 1.

1 Claim, 7 Drawing Sheets

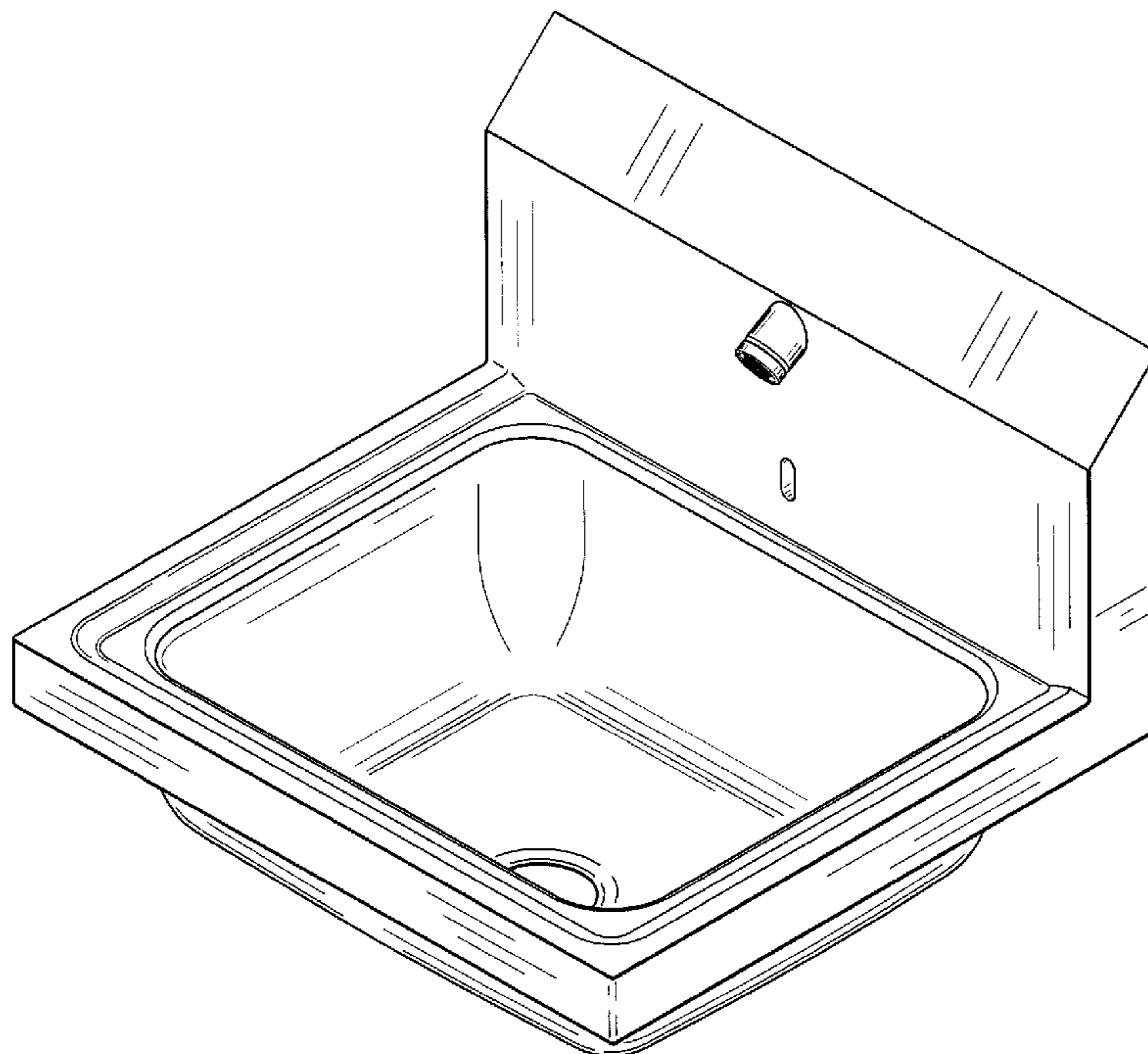


FIG. 1

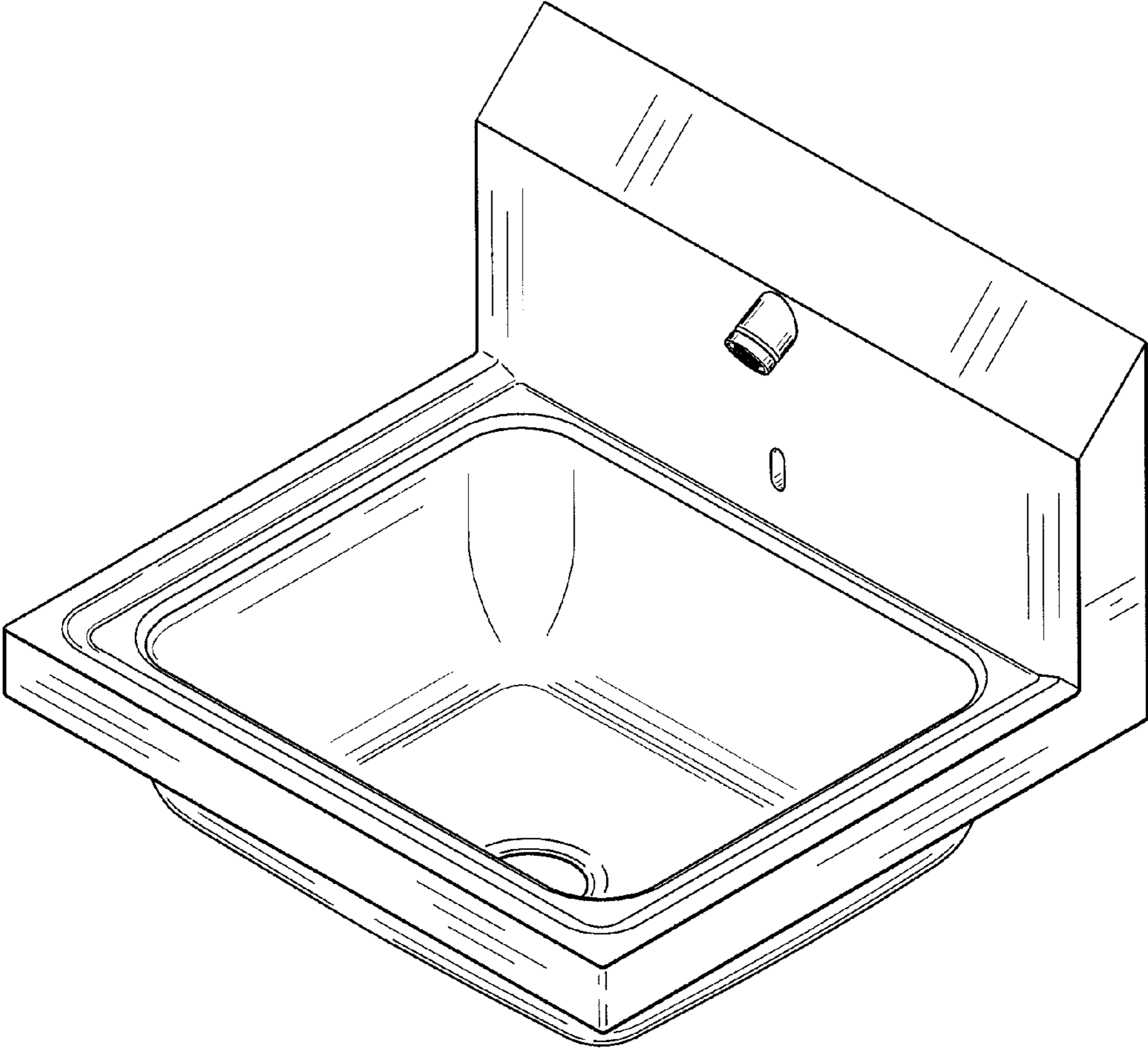


FIG. 2

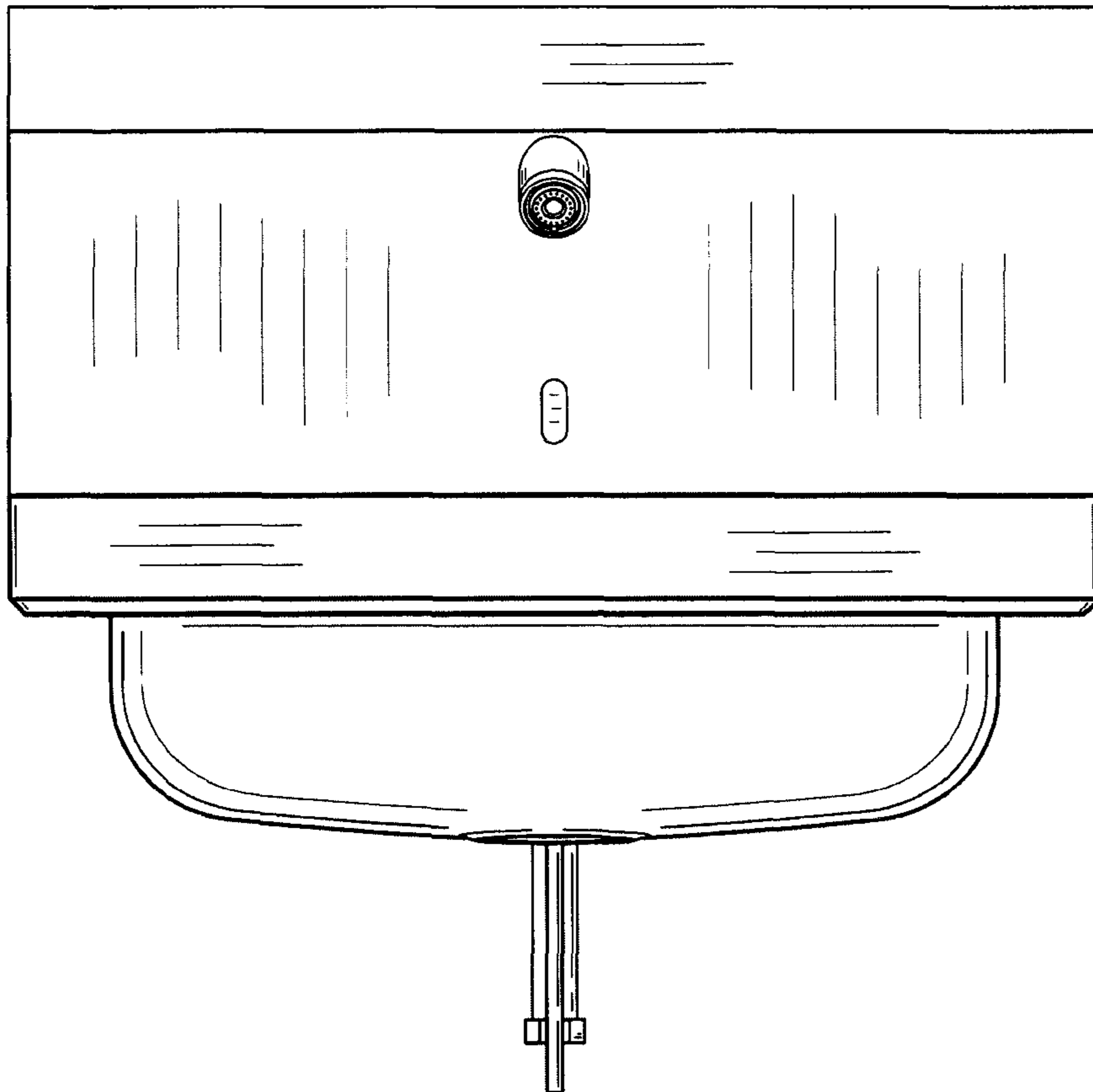


FIG. 3

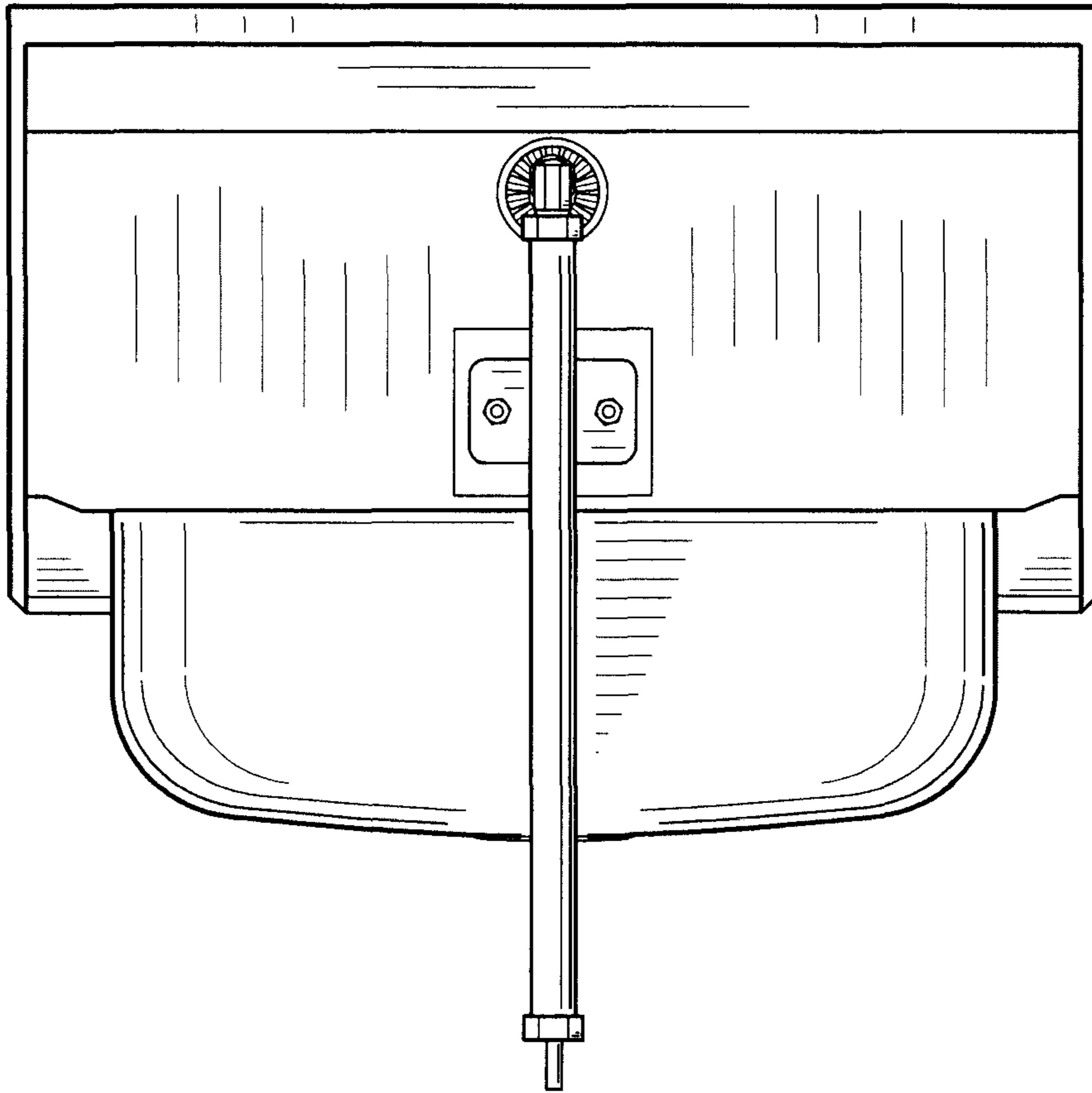


FIG. 4

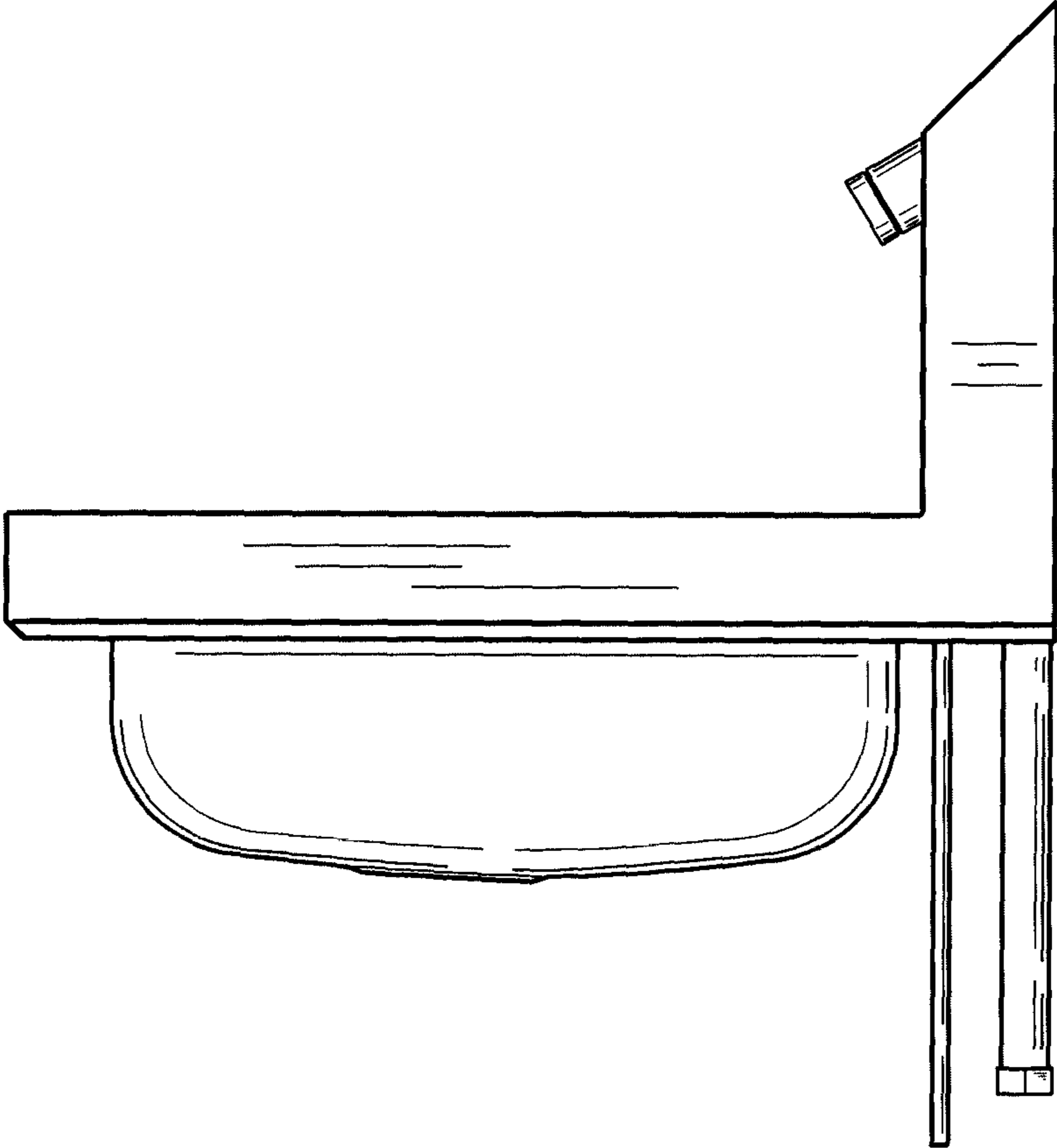


FIG. 5

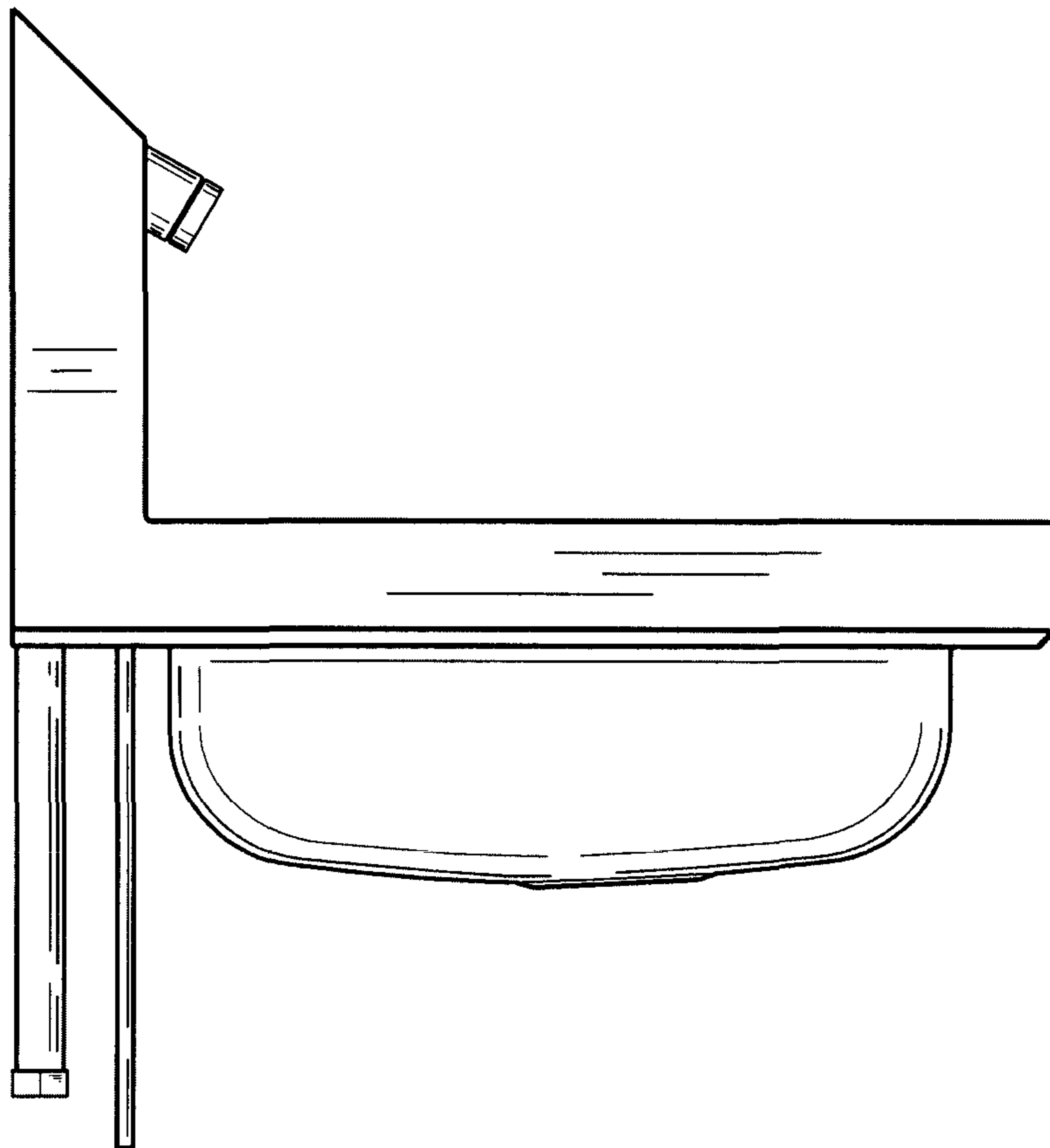


FIG. 6

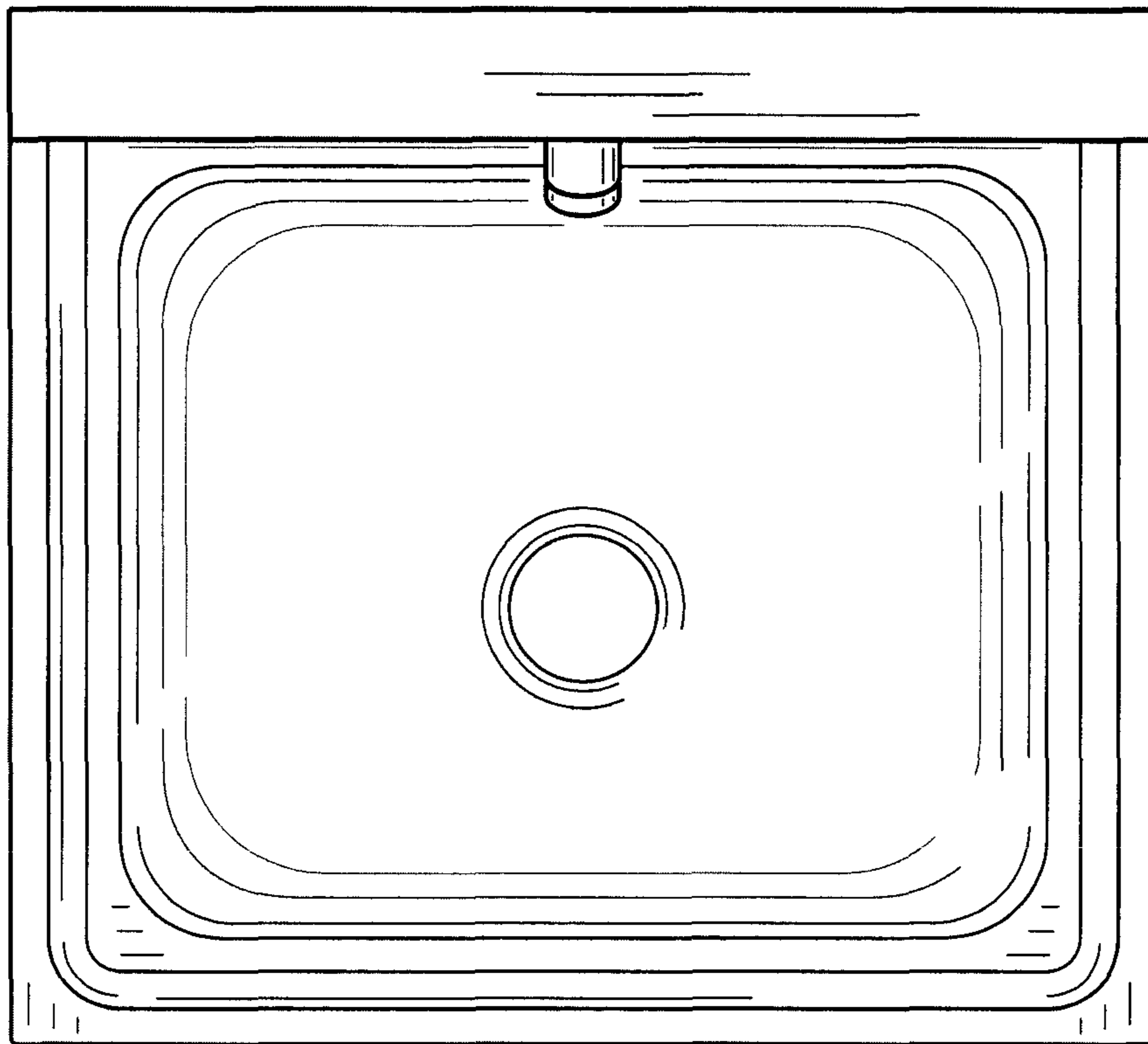


FIG. 7

