



US00D753801S

(12) **United States Design Patent**
Williams

(10) **Patent No.:** **US D753,801 S**
(45) **Date of Patent:** **** Apr. 12, 2016**

(54) **SEAL**

(71) Applicant: **Klinger Ltd.**, Bradford (GB)

(72) Inventor: **Mark Williams**, Bradford (GB)

(73) Assignee: **Klinger Ltd.**, Bradford (GB)

(**) Term: **14 Years**

(21) Appl. No.: **29/517,252**

(22) Filed: **Feb. 11, 2015**

(30) **Foreign Application Priority Data**

Aug. 11, 2014 (EM) 002518035-0001

(51) **LOC (10) Cl.** **23-01**

(52) **U.S. Cl.**
USPC **D23/269**

(58) **Field of Classification Search**

USPC D8/107; D13/120; D21/691, 694, 756;
D23/259-266, 269, 393

CPC E03F 5/06; F16L 23/036; F16L 23/08;
F16L 9/003; F16L 19/064; F16L 19/10283;
F16L 19/065; B21D 22/16; F16J 15/125;
F16J 15/10; G01L 1/04; G01L 1/142; G01N
27/4078; G01N 27/407; G01D 11/245

See application file for complete search history.

(56) **References Cited**

U.S. PATENT DOCUMENTS

5,810,578 A 9/1998 Hystad et al.
5,846,391 A * 12/1998 Friese G01N 27/4078
204/424

(Continued)

FOREIGN PATENT DOCUMENTS

EM 000196050 S 7/2004
EM 001023394-0001 S 9/2008

(Continued)

Primary Examiner — George D Kirschbaum

Assistant Examiner — Amy Wierenga

(74) *Attorney, Agent, or Firm* — Drinker Biddle & Reath LLP

(57) **CLAIM**

The ornamental design for a seal, as shown and described.

DESCRIPTION

FIG. 1 is a front perspective view of a seal according to a first embodiment of the present invention.

FIG. 2 is a rear perspective view of the seal of FIG. 1.

FIG. 3 is a top view of the seal of FIG. 1.

FIG. 4 is a bottom view of the seal of FIG. 1.

FIG. 5 is a front view of the seal of FIG. 1.

FIG. 6 is a rear view of the seal of FIG. 1.

FIG. 7 is a right side view of the seal of FIG. 1; the left side view being a mirror image.

FIG. 8 is a front perspective view of a seal according to a second embodiment of the present invention.

FIG. 9 is a rear perspective view of the seal of FIG. 8.

FIG. 10 is a top view of the seal of FIG. 8.

FIG. 11 is a bottom view of the seal of FIG. 8.

FIG. 12 is a front view of the seal of FIG. 8.

FIG. 13 is a rear view of the seal of FIG. 8.

FIG. 14 is a right side view of the seal of FIG. 8; the left side view being a mirror image.

FIG. 15 front perspective view of a seal according to a third embodiment of the present invention.

FIG. 16 is a rear perspective view of the seal of FIG. 15.

FIG. 17 is a top view of the seal of FIG. 15.

FIG. 18 is a bottom view of the seal of FIG. 15.

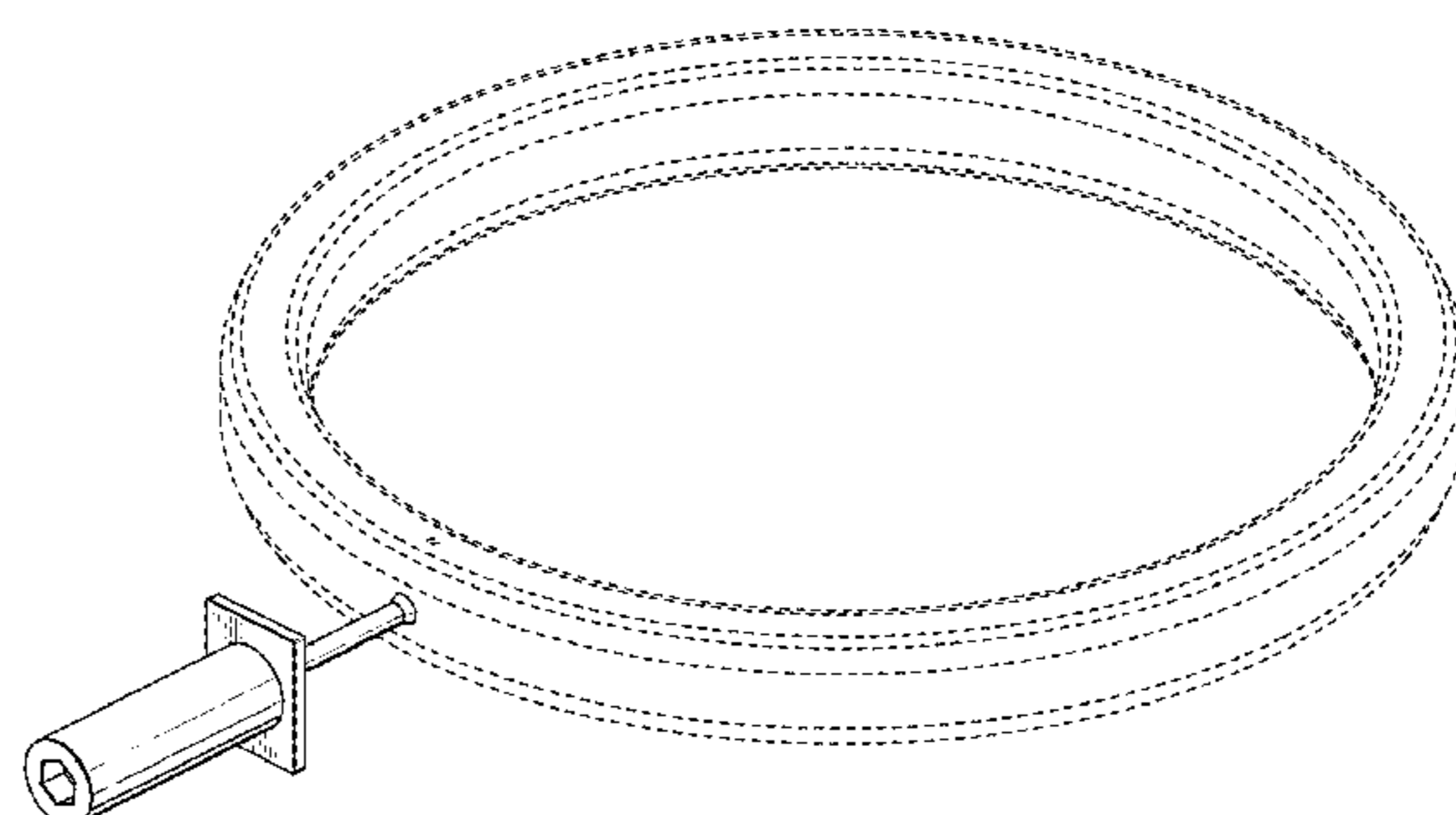
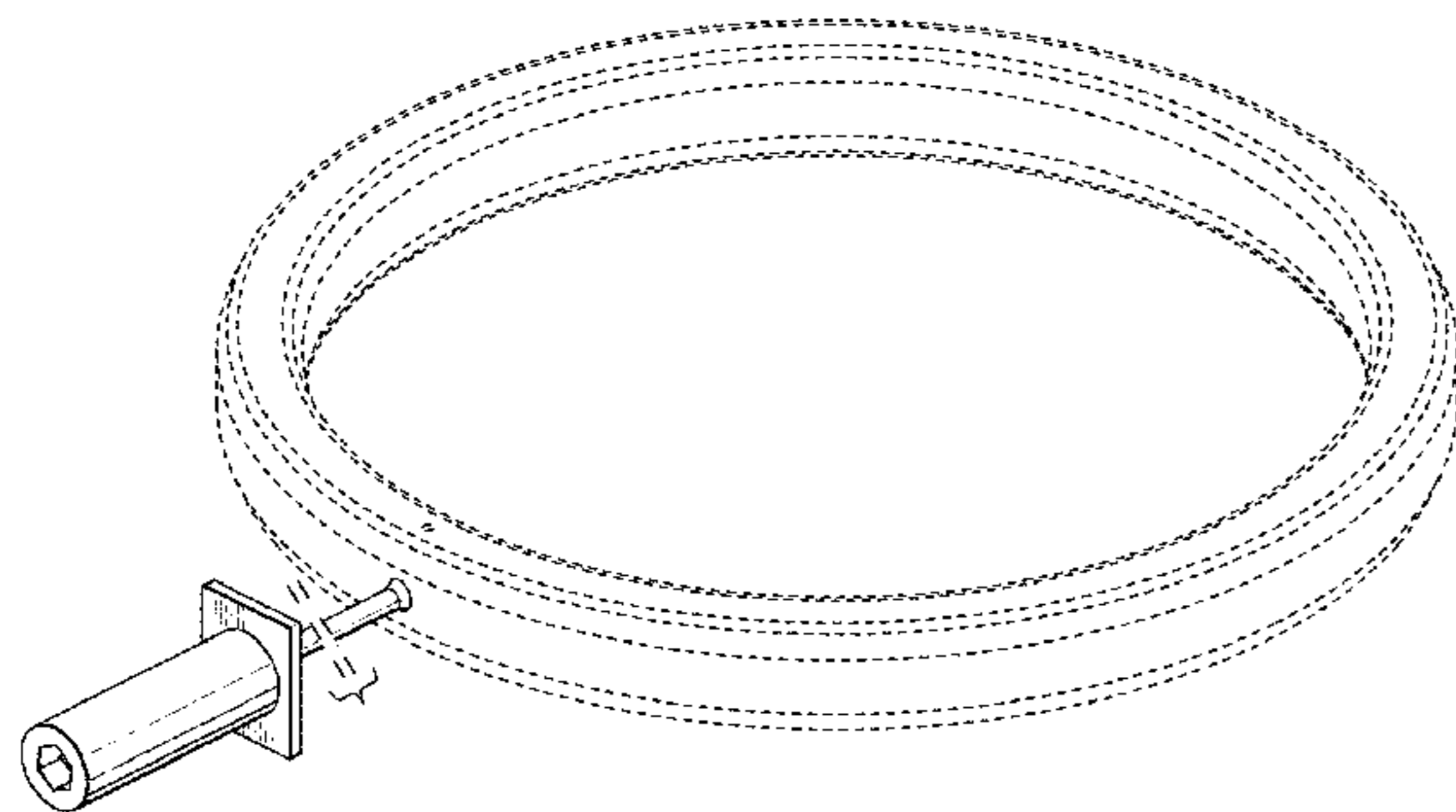
FIG. 19 is a front view of the seal of FIG. 15.

FIG. 20 is a rear view of the seal of FIG. 15; and,

FIG. 21 is a right side view of the seal of FIG. 15; the left side view being a mirror image.

The portions of the design shown in evenly dashed lines are for the purpose of illustrating environmental subject matter only and form no part of the claim. The alternating dash-dot lines represent a symbolic break in the article. Any portion of the article between the break lines forms no part of the claim.

1 Claim, 15 Drawing Sheets



(56)

References Cited

U.S. PATENT DOCUMENTS

5,865,971 A * 2/1999 Sunkara F16J 15/064
204/280
6,000,278 A 12/1999 Hystad
D433,468 S * 11/2000 Rojas D21/680
6,223,583 B1 * 5/2001 Friese G01N 27/407
123/672
6,474,655 B1 * 11/2002 Weyl G01N 27/407
204/424
D481,290 S * 10/2003 Thompson D8/107
D482,591 S * 11/2003 Lisle D8/107
D503,978 S * 4/2005 Beck D24/129
D604,601 S 11/2009 Hystad
D689,762 S * 9/2013 Yamazaki D8/387
D722,486 S * 2/2015 Wang D8/355
D739,484 S * 9/2015 Kaye D21/694
2003/0236038 A1 12/2003 Hystad
2004/0145123 A1 7/2004 Hystad
2004/0150226 A1 8/2004 Hystad
2004/0232906 A1 * 11/2004 Taneyhill G01D 3/028
324/179

2012/0112742 A1 * 5/2012 Schrader G01D 11/245
324/252
2013/0042674 A1 * 2/2013 Toth F16J 15/064
73/114.18
2014/0333035 A1 * 11/2014 Schemmann F16J 15/02
277/602
2015/0030514 A1 * 1/2015 Feltham C12M 23/26
422/544
2015/0354996 A1 * 12/2015 Nelson G01D 11/245
73/431

FOREIGN PATENT DOCUMENTS

EM 001023394-0002 S 9/2008
GB 1558857 1/1980
NO 20040323 4/2005
NO 20080240 12/2008
NO 20080544 12/2008
WO 0140691 A1 7/2001
WO 2003027561 A1 4/2003
WO 2009088300 A1 7/2009
WO 2009136811 A1 11/2009
WO 2010141412 A2 12/2010

* cited by examiner

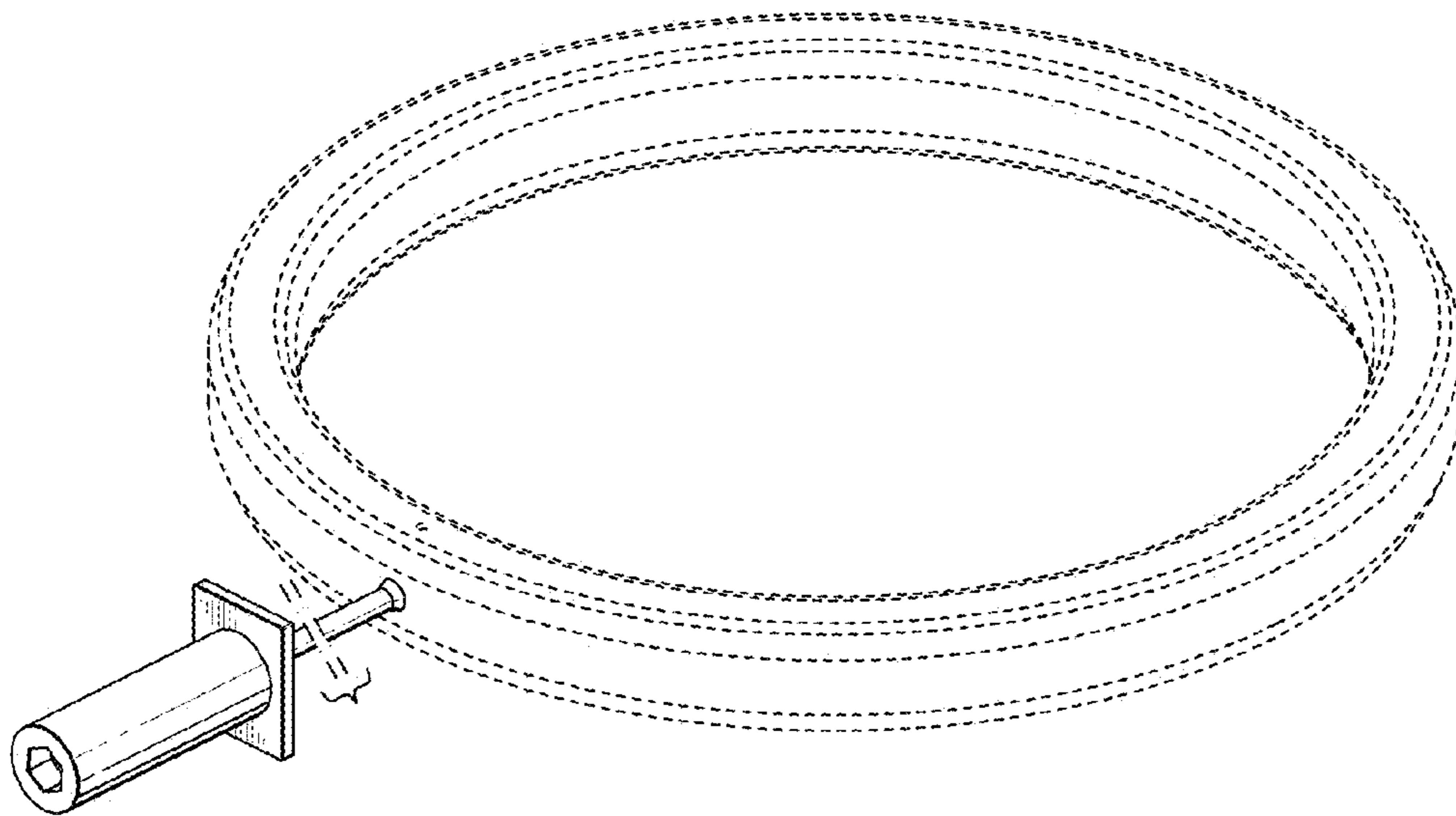


FIG. 1

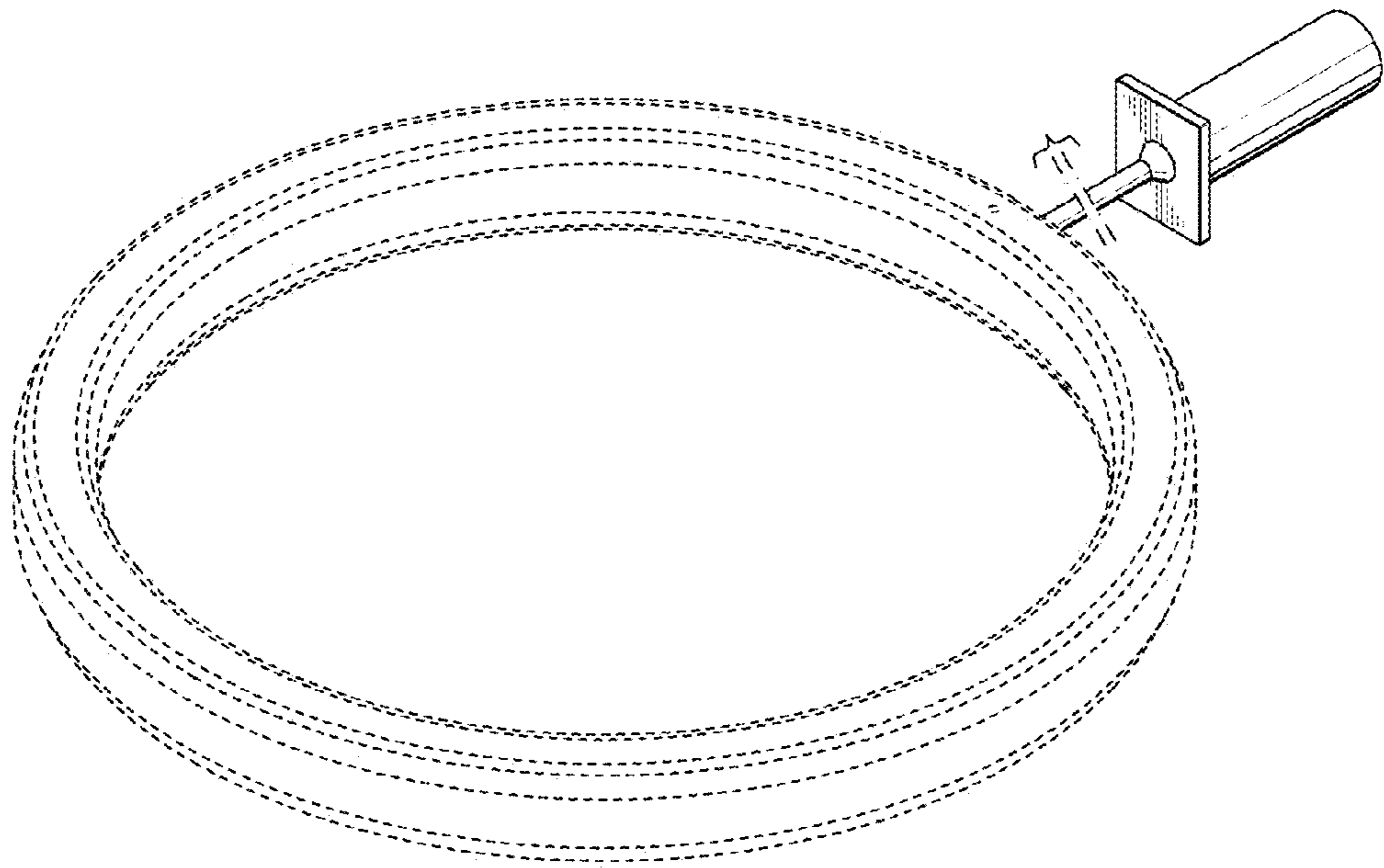


FIG. 2

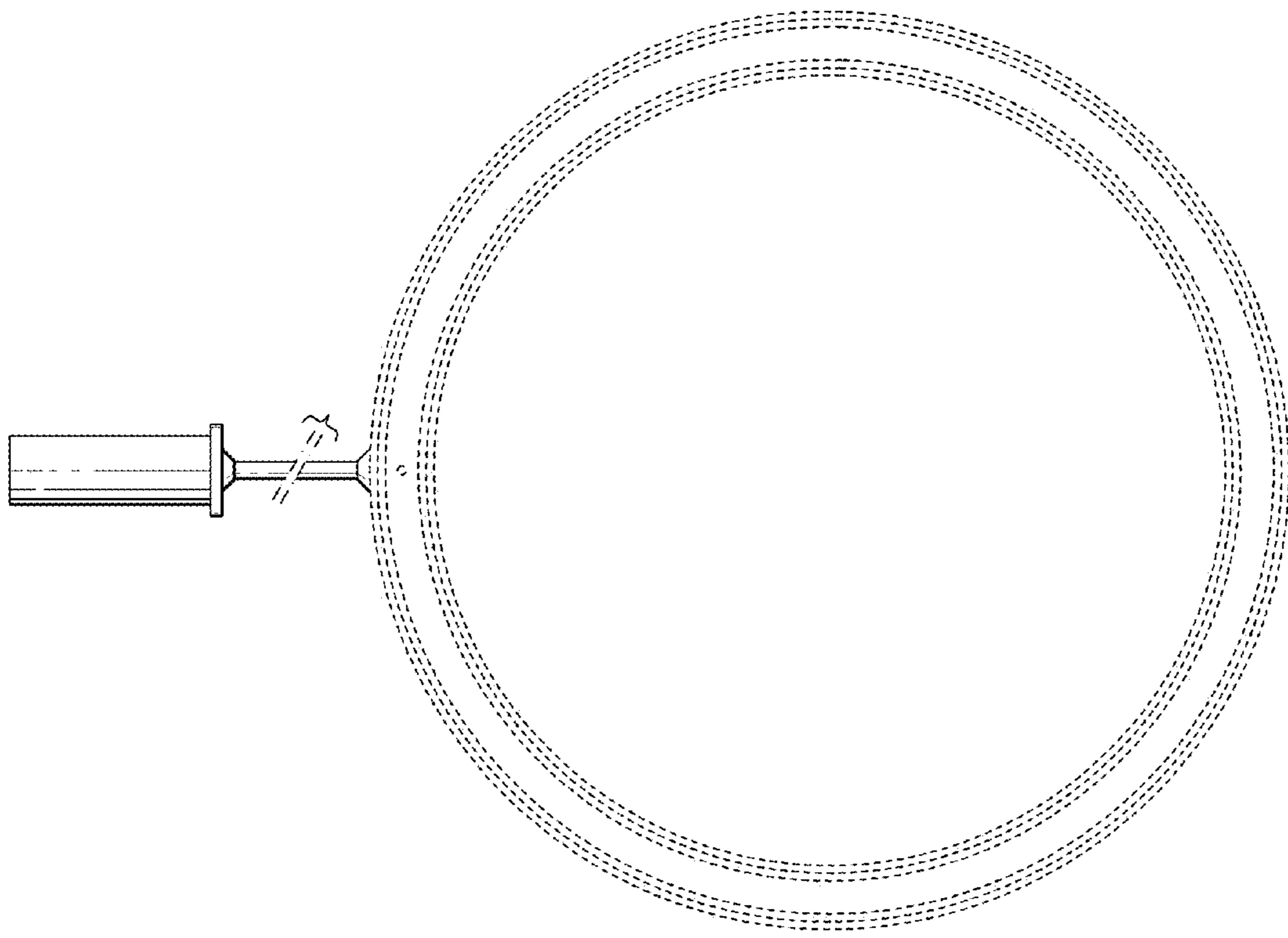


FIG. 3

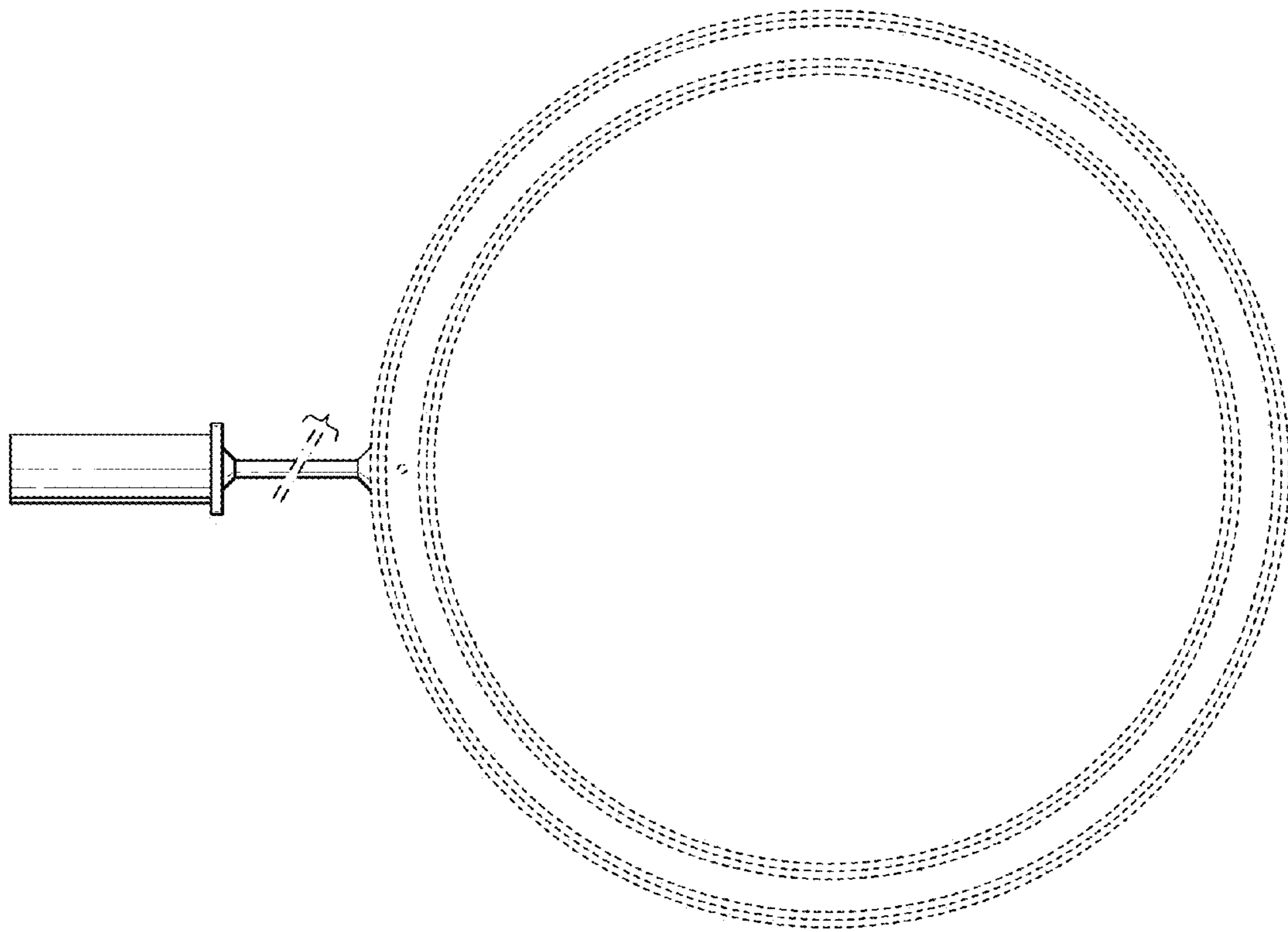


FIG. 4

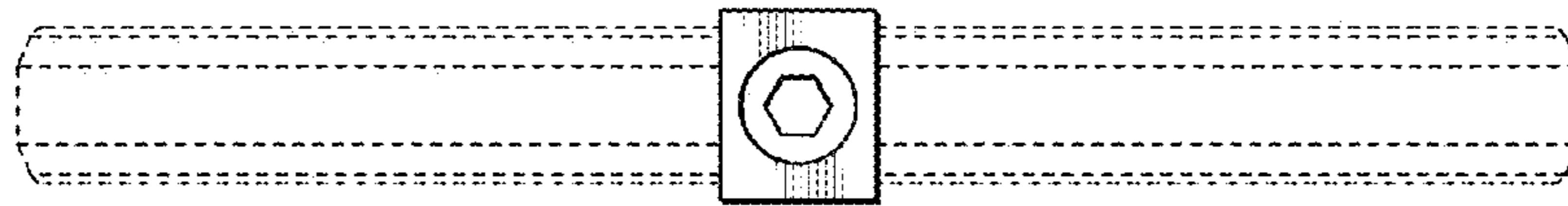


FIG. 5

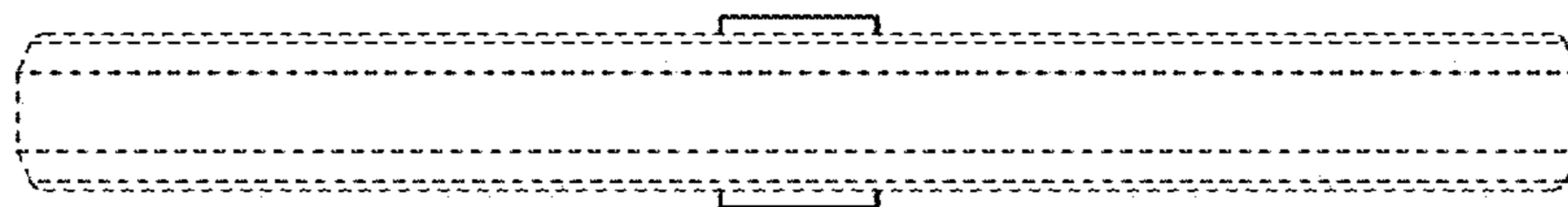


FIG. 6

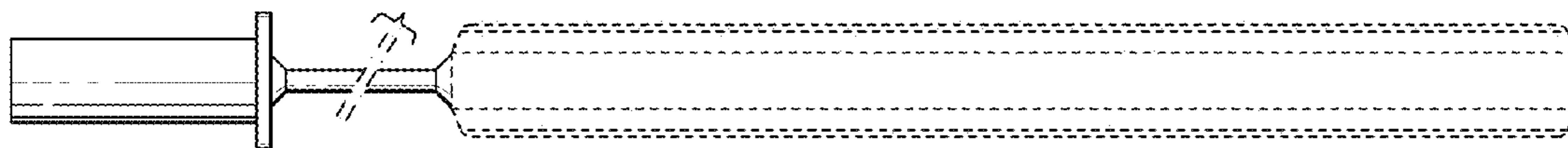


FIG. 7

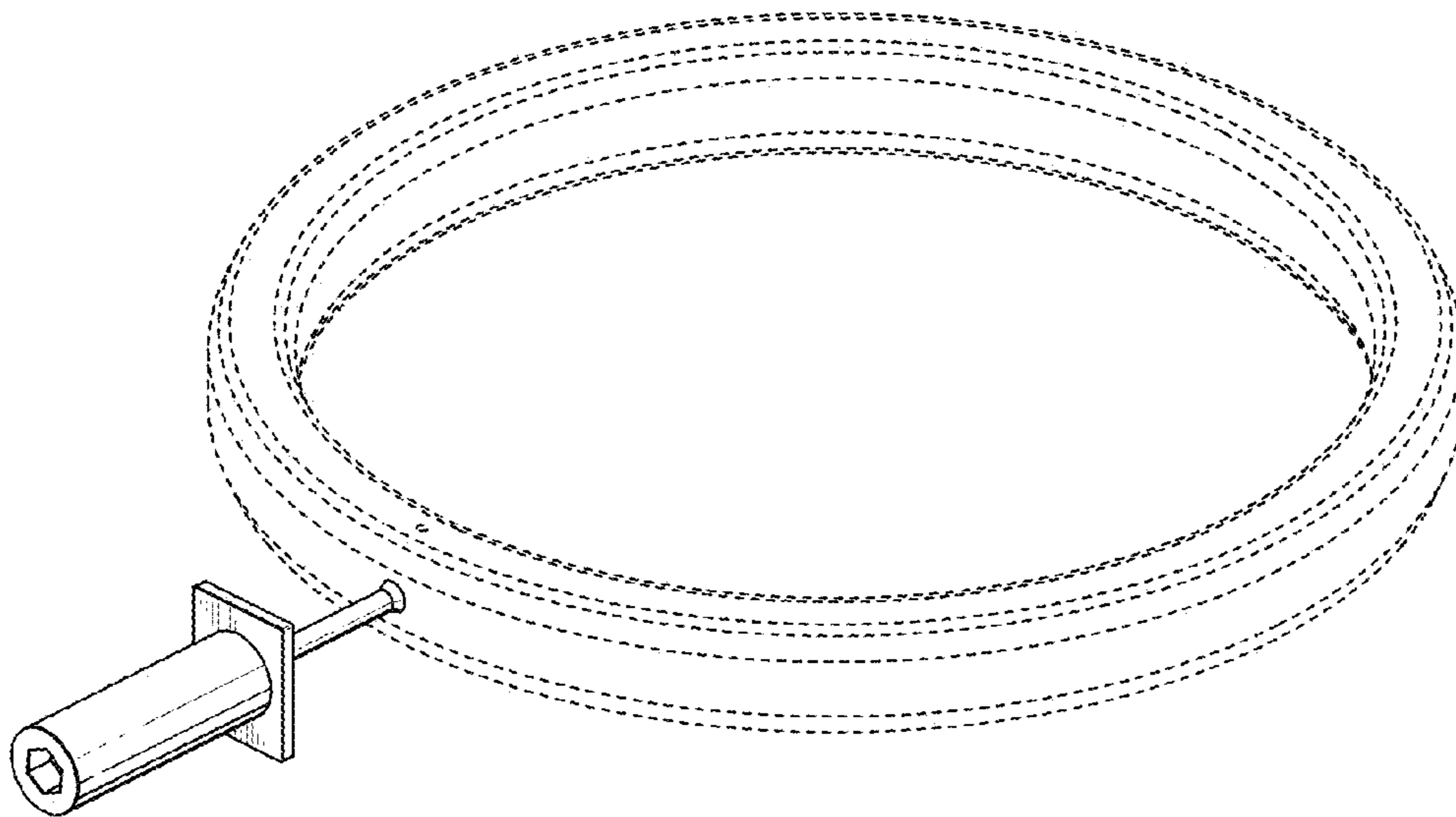


FIG. 8

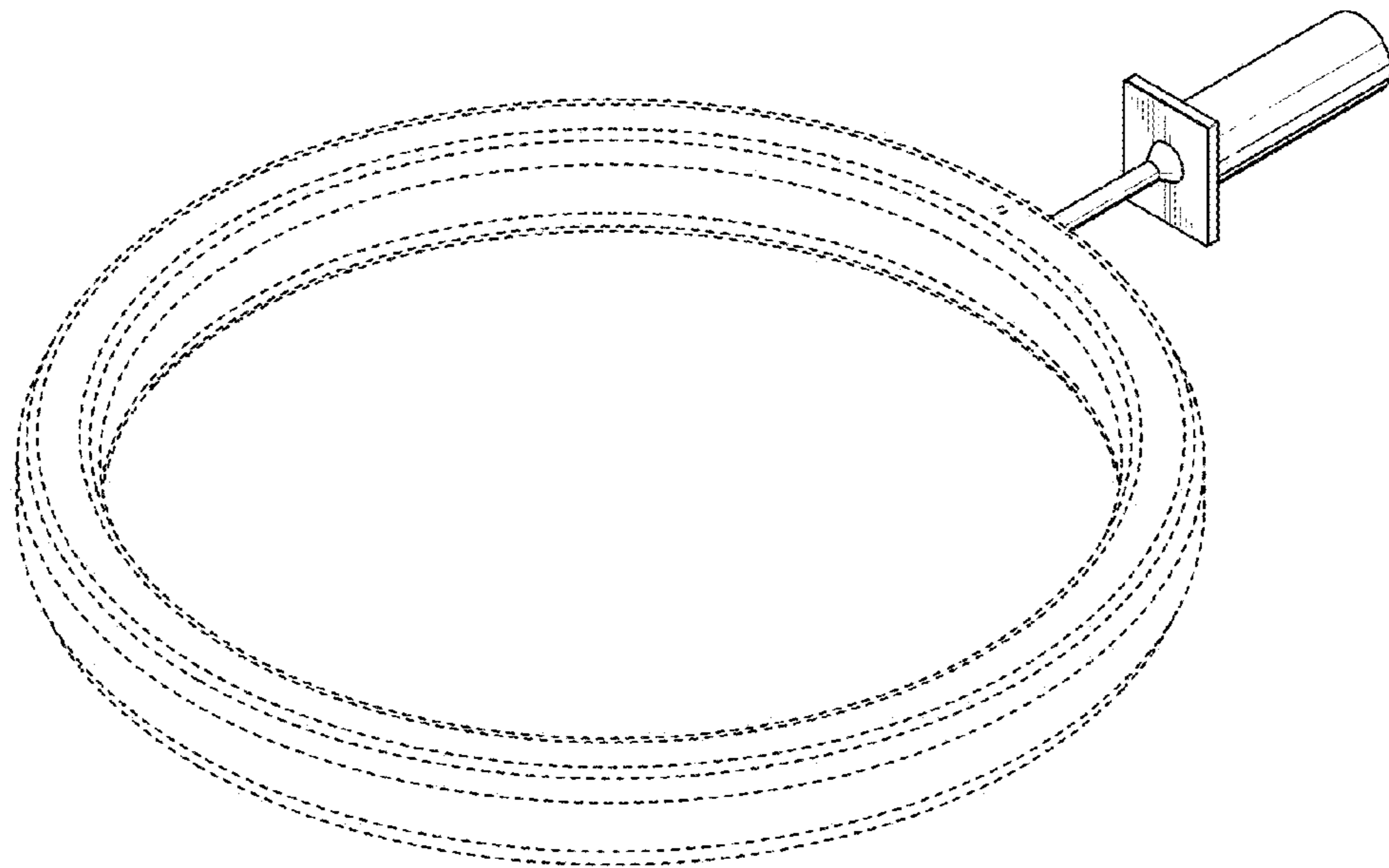


FIG. 9

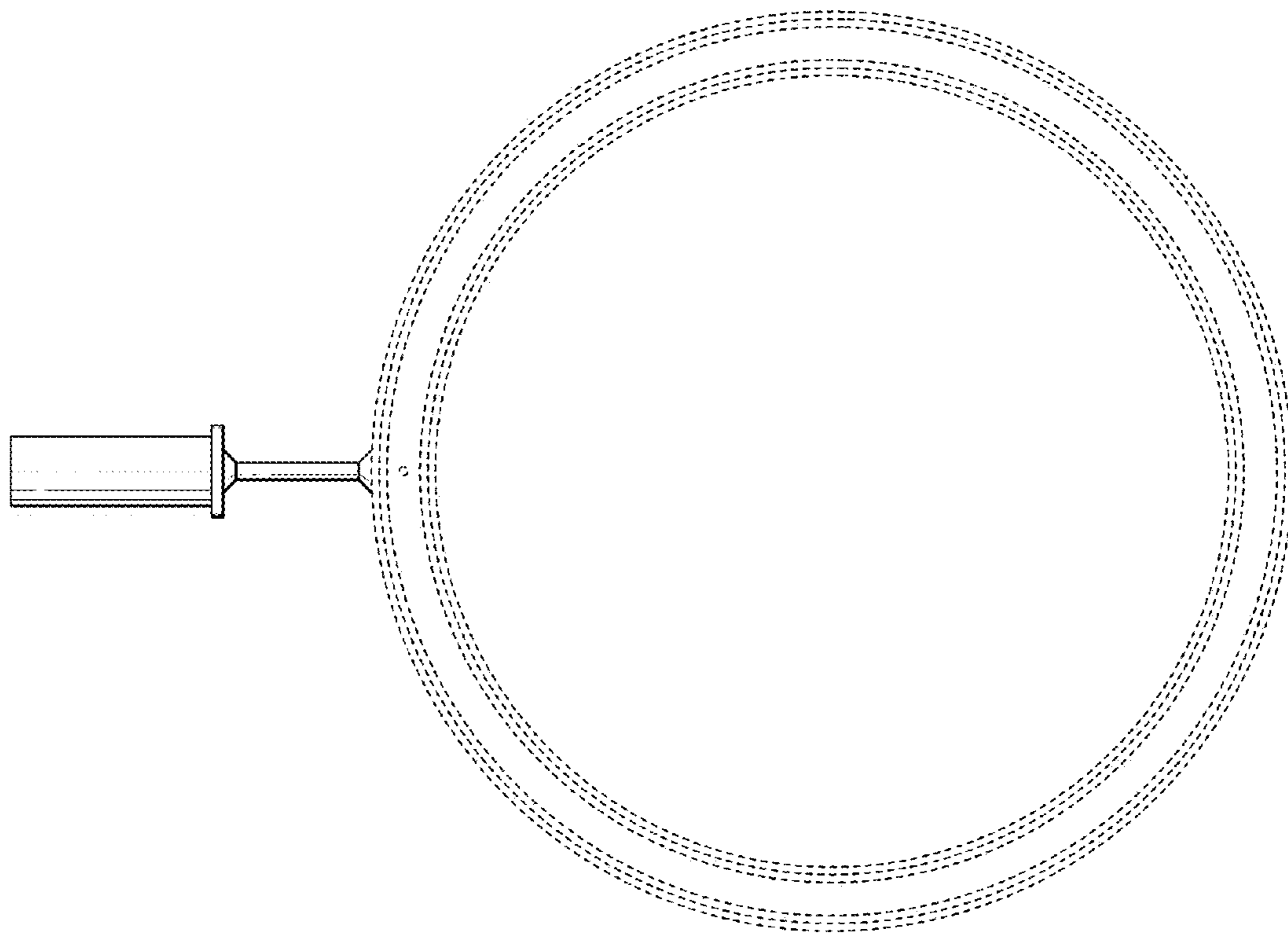


FIG. 10

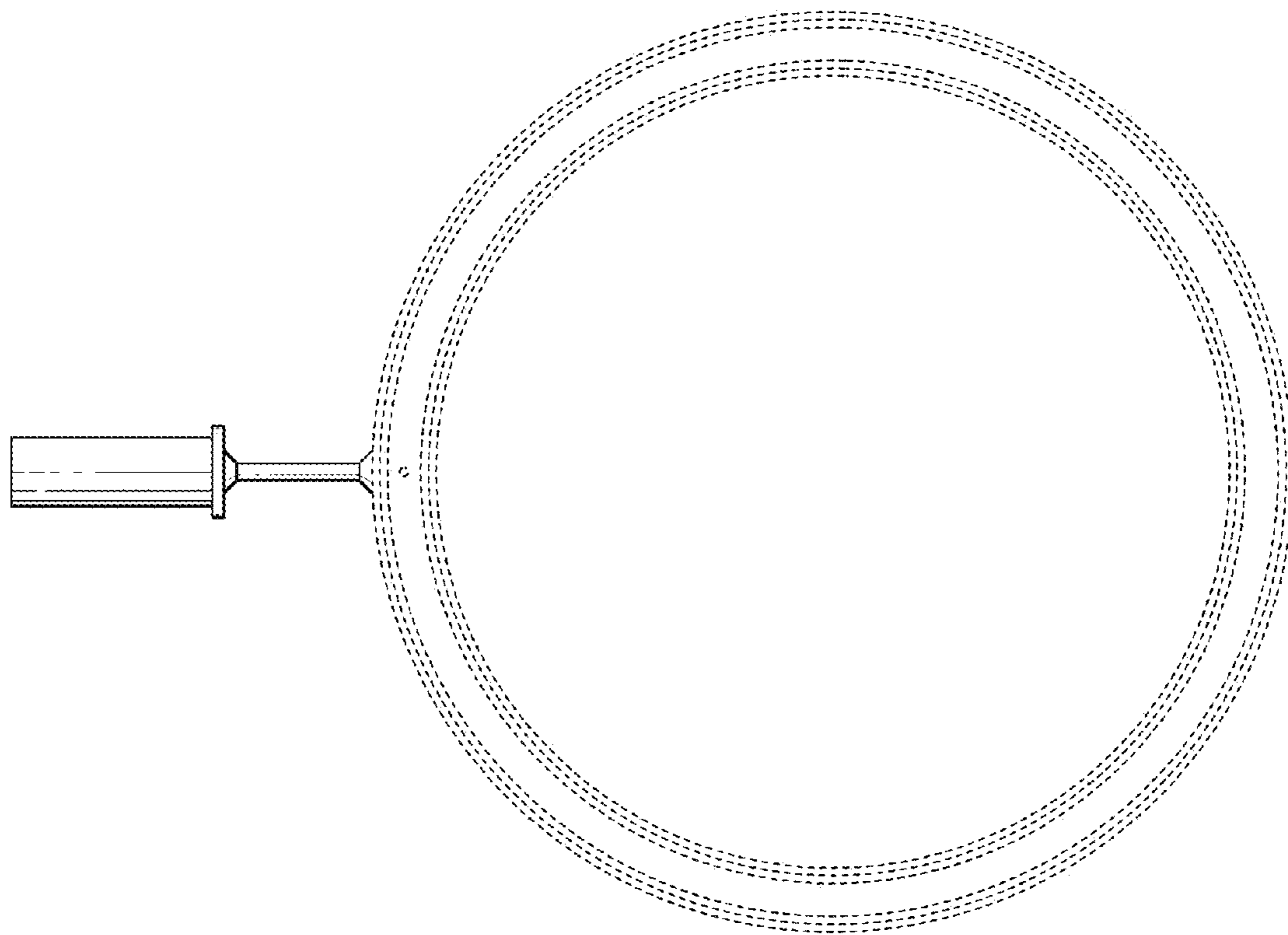


FIG. 11

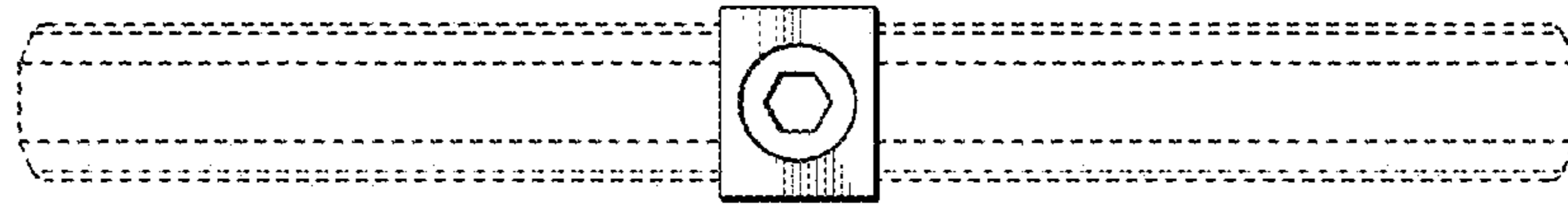


FIG. 12

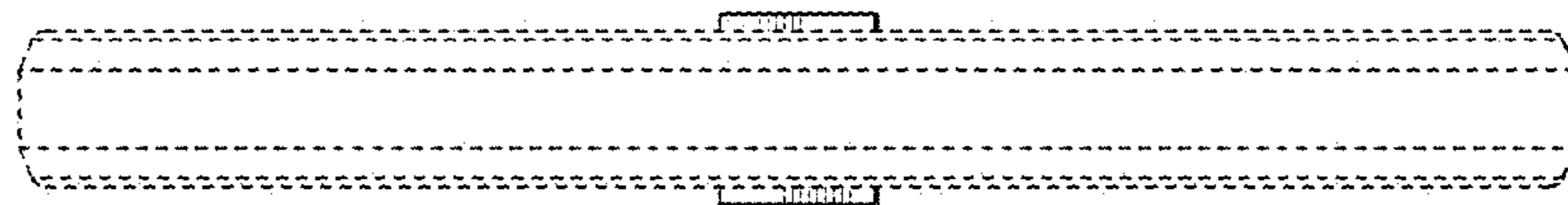


FIG. 13

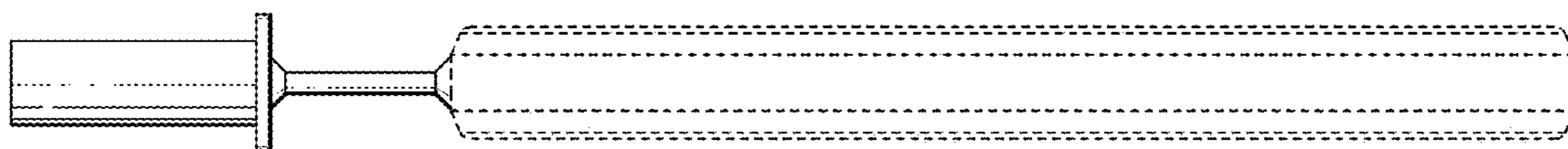


FIG. 14

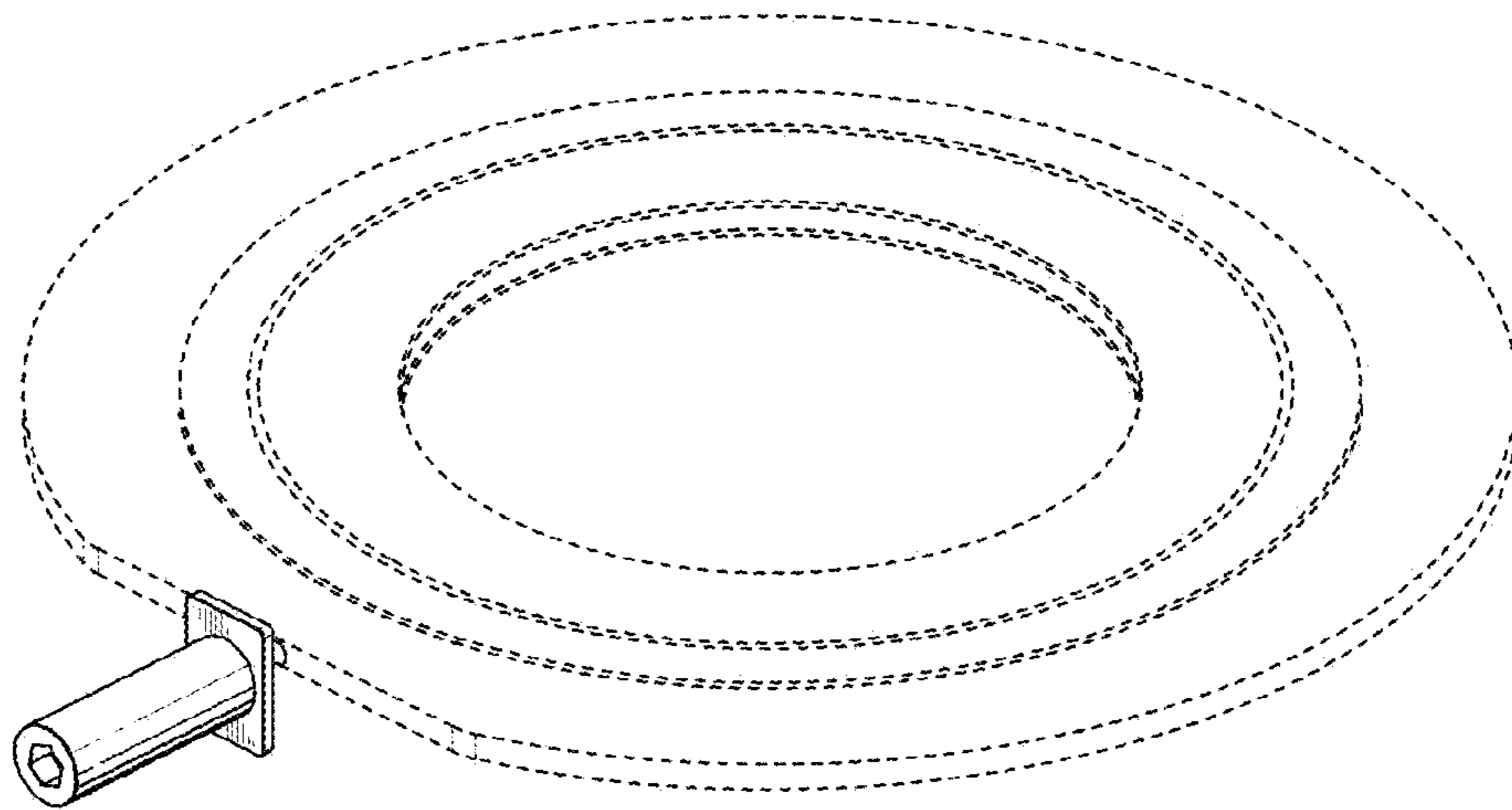


FIG. 15

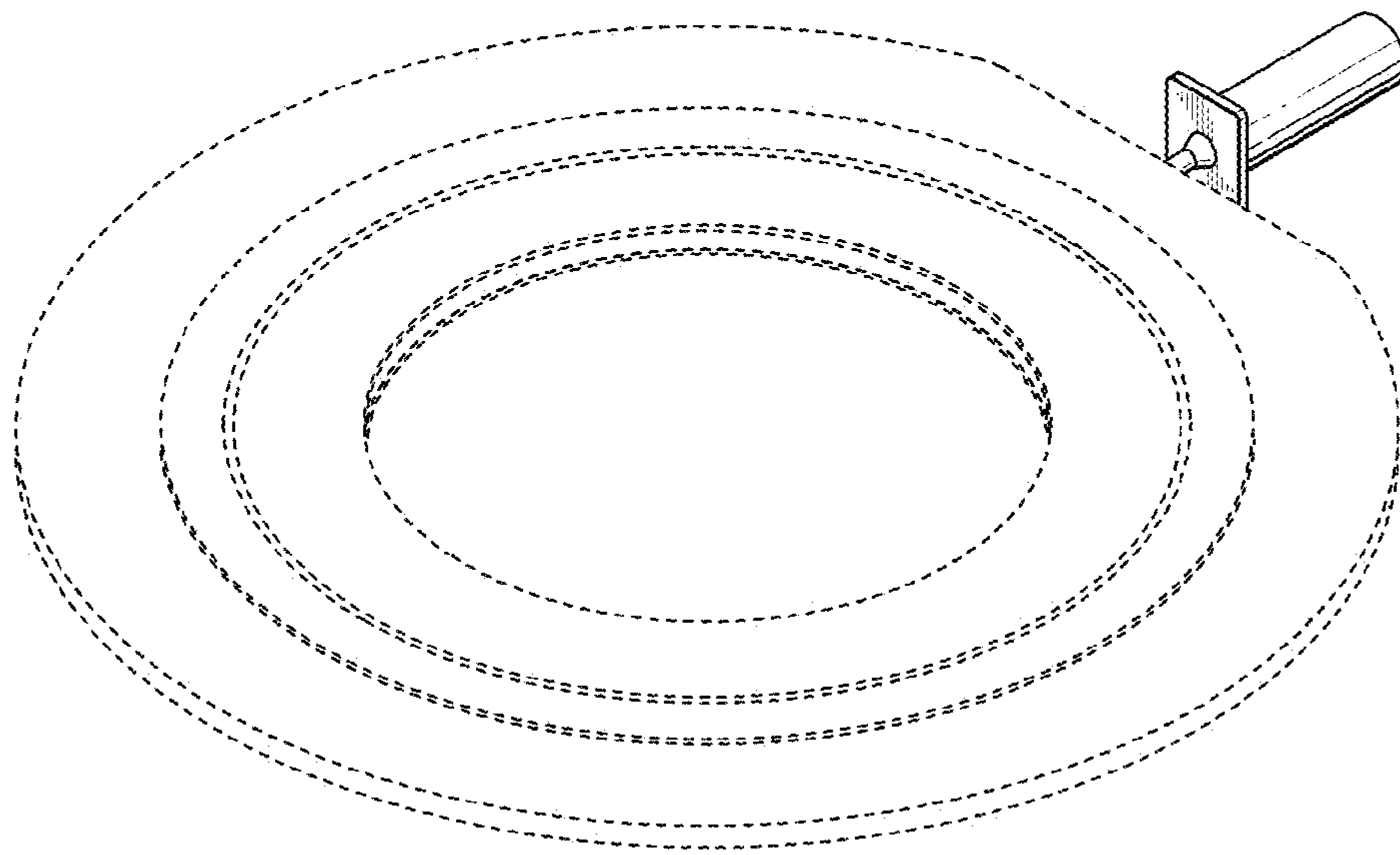


FIG. 16

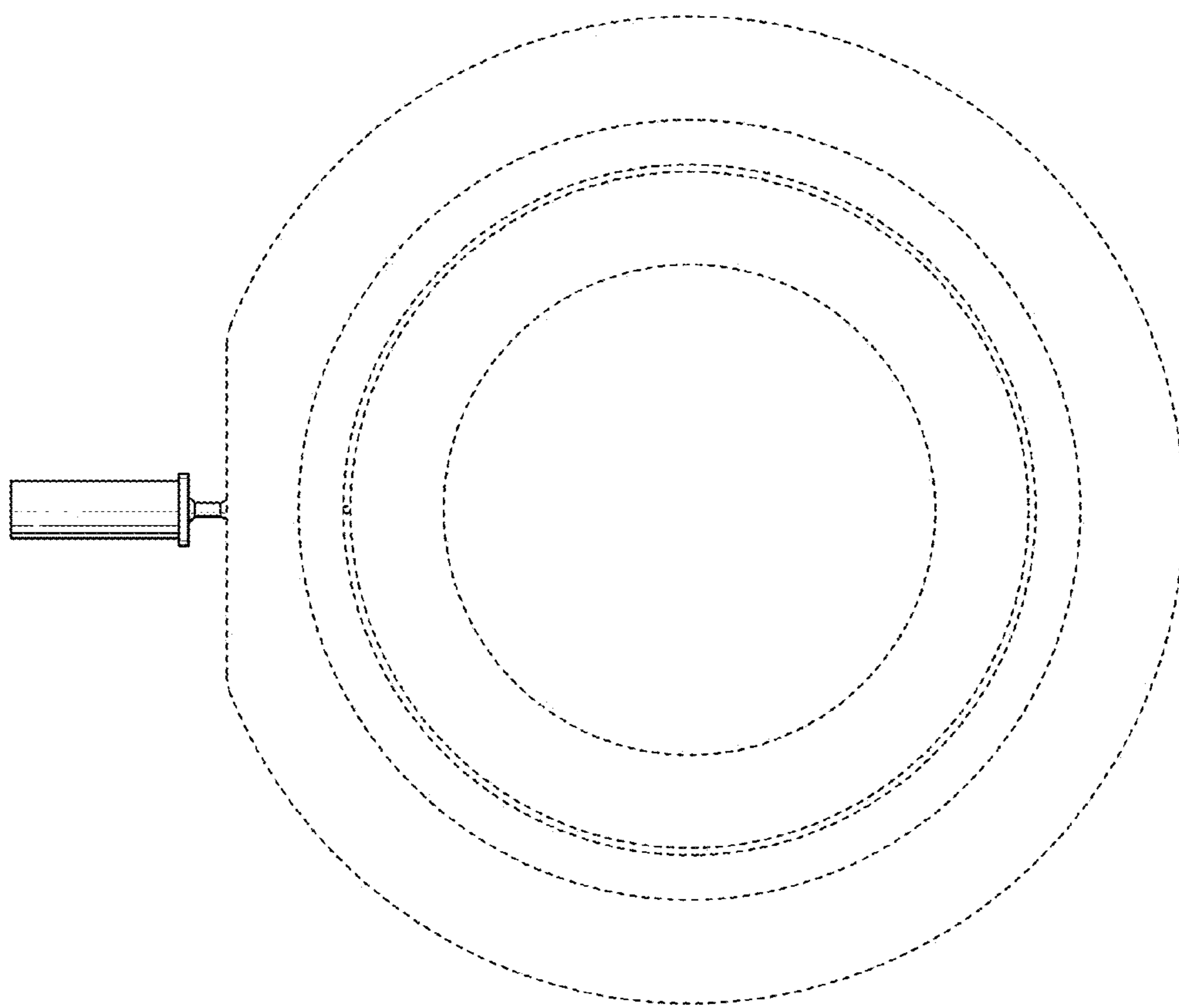


FIG. 17

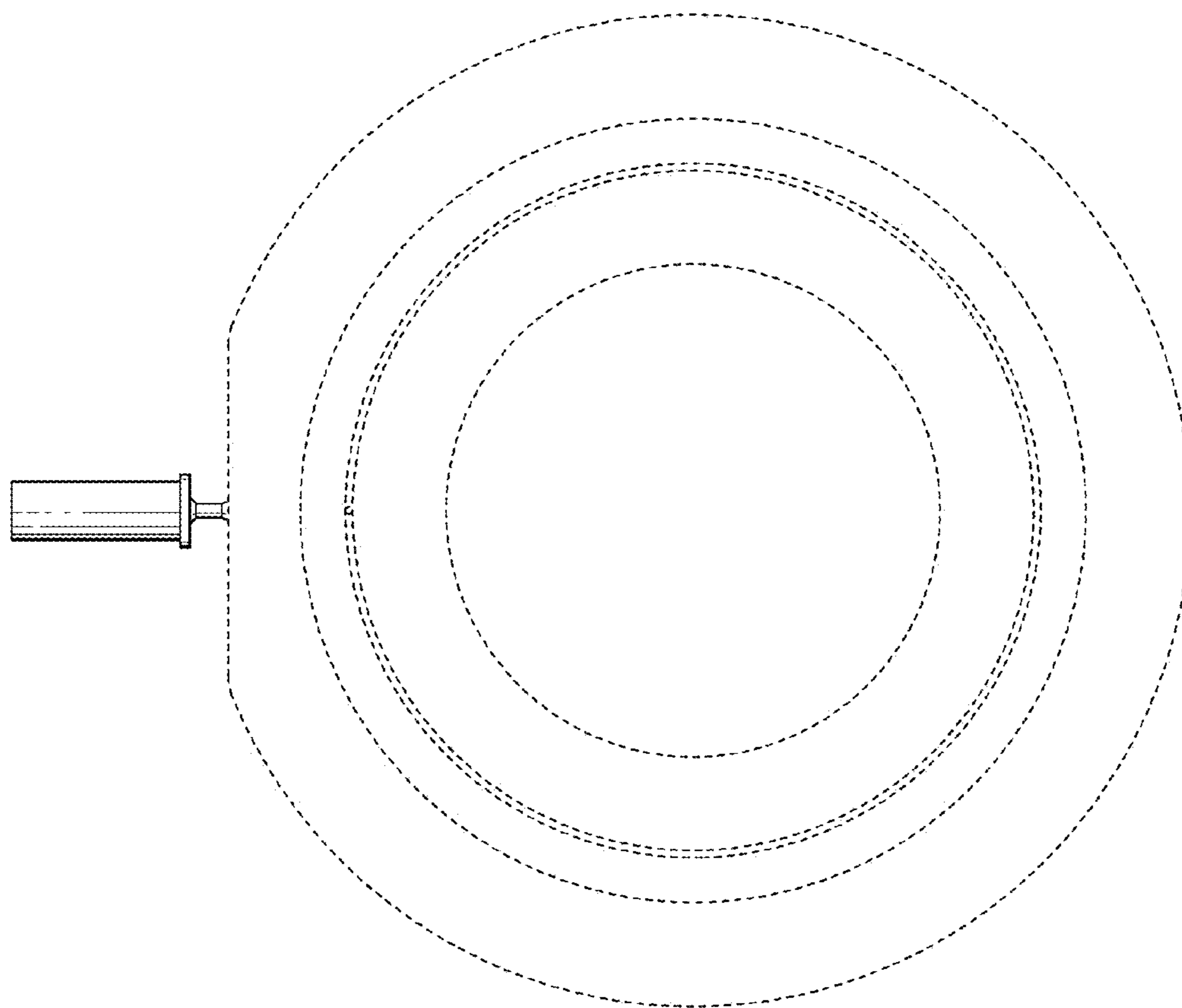


FIG. 18

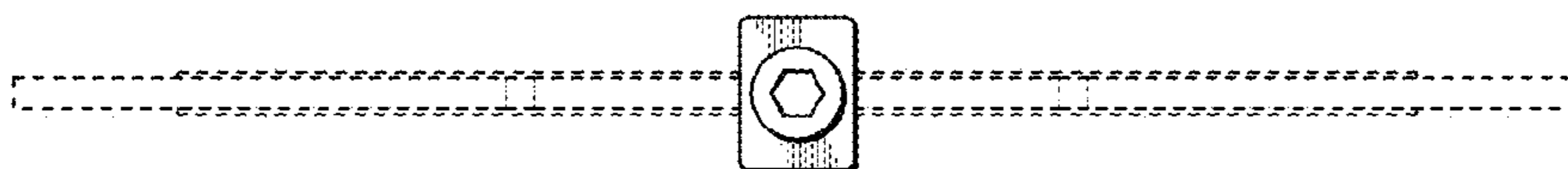


FIG. 19

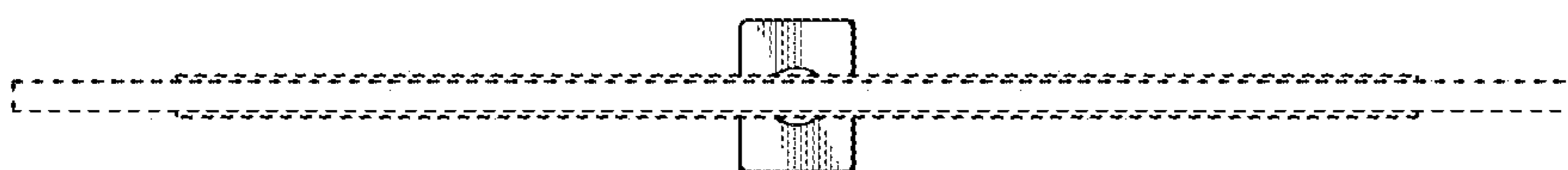


FIG. 20

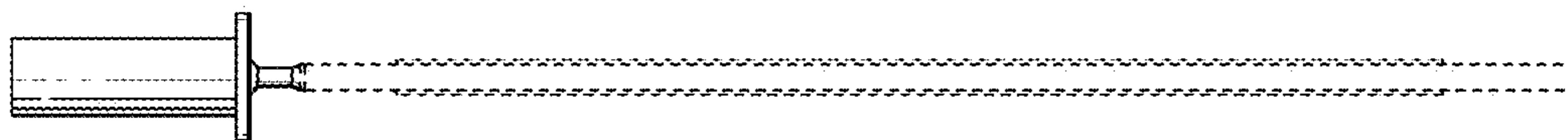


FIG. 21