



US00D753800S

(12) **United States Design Patent**  
**Callaghan**

(10) **Patent No.:** **US D753,800 S**  
(45) **Date of Patent:** **\*\* Apr. 12, 2016**

- (54) **GAS MAIN GATE BOX SAFETY RISER**
- (71) Applicant: **David Callaghan**, Quincy, MA (US)
- (72) Inventor: **David Callaghan**, Quincy, MA (US)
- (\*\*) Term: **14 Years**
- (21) Appl. No.: **29/523,267**
- (22) Filed: **Apr. 8, 2015**
- (51) **LOC (10) Cl.** ..... **23-01**
- (52) **U.S. Cl.**  
USPC ..... **D23/249**
- (58) **Field of Classification Search**  
USPC ..... D23/233–250; 137/367, 364, 365, 370,  
137/884, 368; 251/63, 326–329, 357  
CPC ..... F16J 15/104; F16K 3/0227  
See application file for complete search history.

5,070,564 A	12/1991	Fey	
5,394,898 A	3/1995	Turner	
5,803,125 A	9/1998	Bliss	
5,996,612 A	12/1999	Crawford	
6,053,207 A	4/2000	Benedetti	
D454,384 S *	3/2002	Lord	D23/229
D459,443 S *	6/2002	Weiland	D23/249
6,435,764 B1	8/2002	McNeely	
6,802,337 B2	10/2004	Phipps	
D548,309 S	8/2007	Gagas	
7,350,533 B1	4/2008	Teodosio	
7,703,474 B2	4/2010	Gagas	
D631,945 S *	2/2011	Shorey	D23/233
8,082,945 B1	12/2011	White et al.	
D692,534 S *	10/2013	Fangmeier	D23/233
D739,499 S *	9/2015	Shorey	D23/248
2005/0001195 A1 *	1/2005	Blease	F16J 15/104 251/171

\* cited by examiner

*Primary Examiner* — Cynthia Ramirez

*Assistant Examiner* — Gino Colan

(74) *Attorney, Agent, or Firm* — John P. McGonagle

(56) **References Cited**

U.S. PATENT DOCUMENTS

380,308 A	4/1888	Barry, Jr.
599,457 A	2/1898	Sanborn
616,542 A	12/1898	Koehne
1,639,495 A	8/1927	Frame
3,331,295 A	7/1967	Sorrell
3,408,778 A	11/1968	Mason
3,537,471 A	11/1970	Houle
3,717,963 A	2/1973	Sauriol
D226,523 S	3/1973	Thornton
3,891,337 A	6/1975	McCoy
3,968,600 A	7/1976	Bowman
D252,218 S	6/1979	Copeland
4,187,647 A	2/1980	Hall
4,188,151 A	2/1980	Hall
4,325,405 A	4/1982	Christo
D319,883 S	9/1991	Pettesch

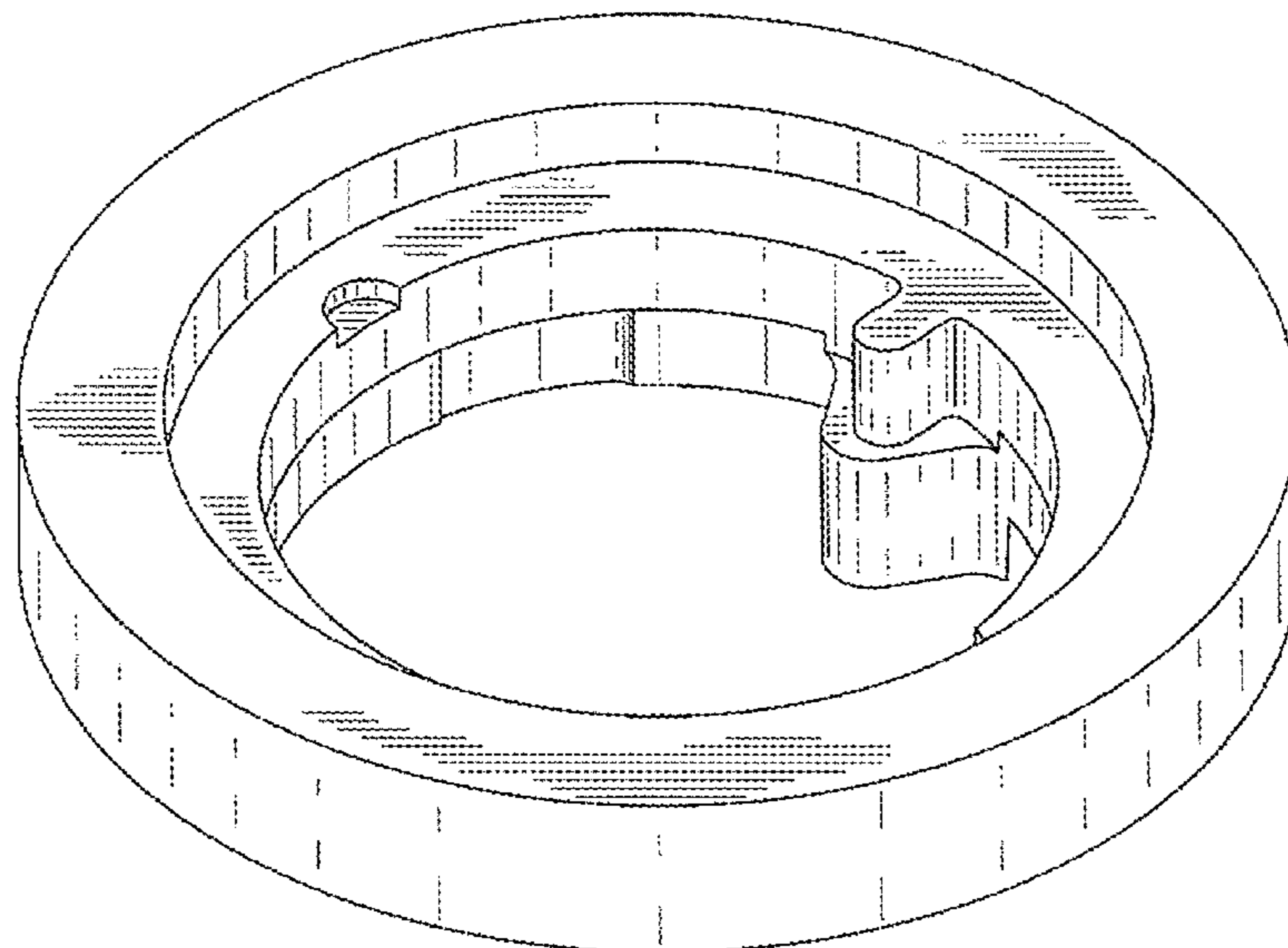
(57) **CLAIM**

The ornamental design for a gas main gate box safety riser, as shown.

**DESCRIPTION**

FIG. 1 is a top perspective view of a gas main gate box safety riser showing my new design;  
FIG. 2 is top view thereof;  
FIG. 3 is a front view thereof;  
FIG. 4 is a rear view thereof;  
FIG. 5 is a bottom view thereof;  
FIG. 6 is a right side view thereof; and,  
FIG. 7 is a left side view thereof.

**1 Claim, 4 Drawing Sheets**



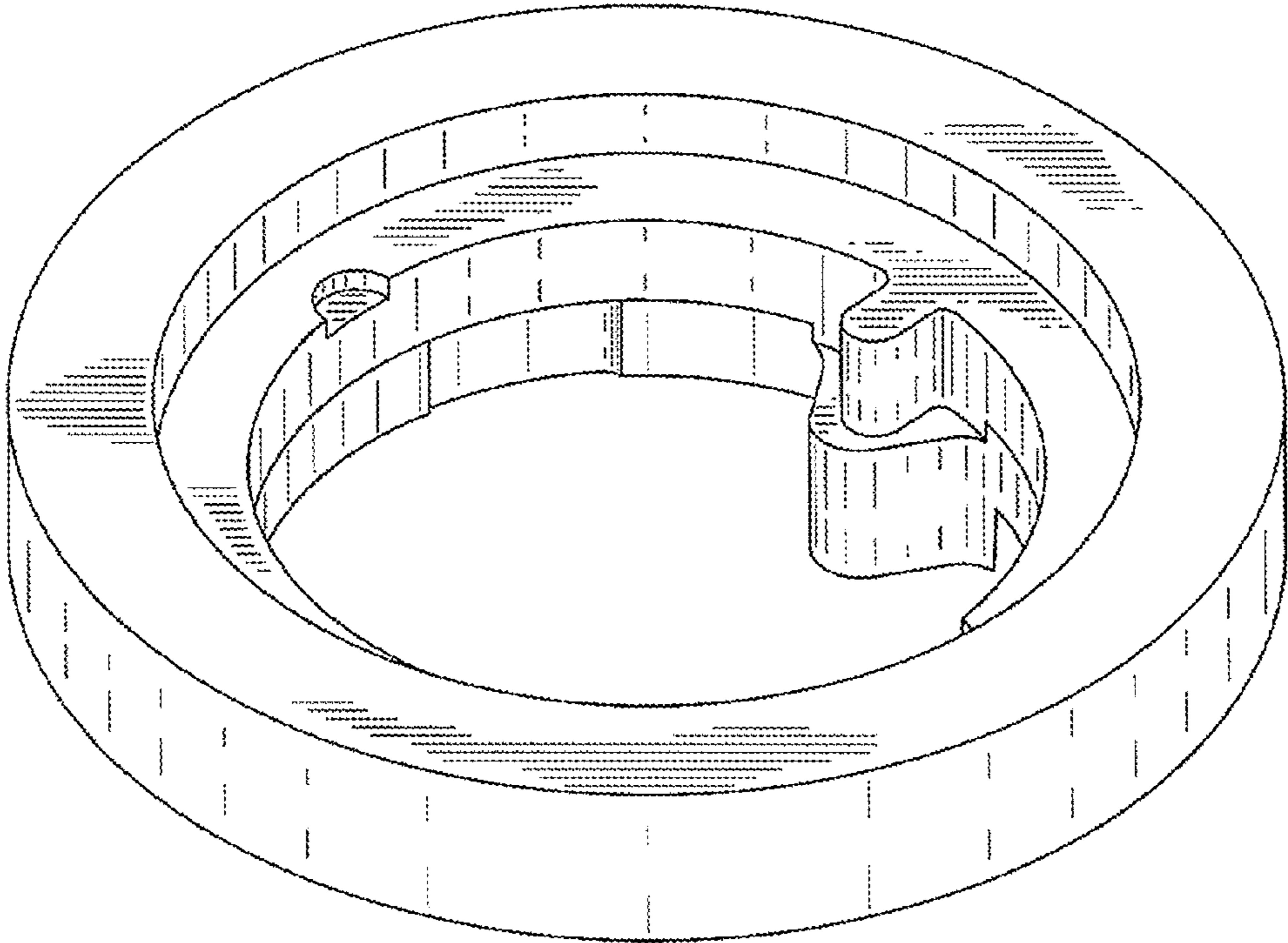


FIG. 1

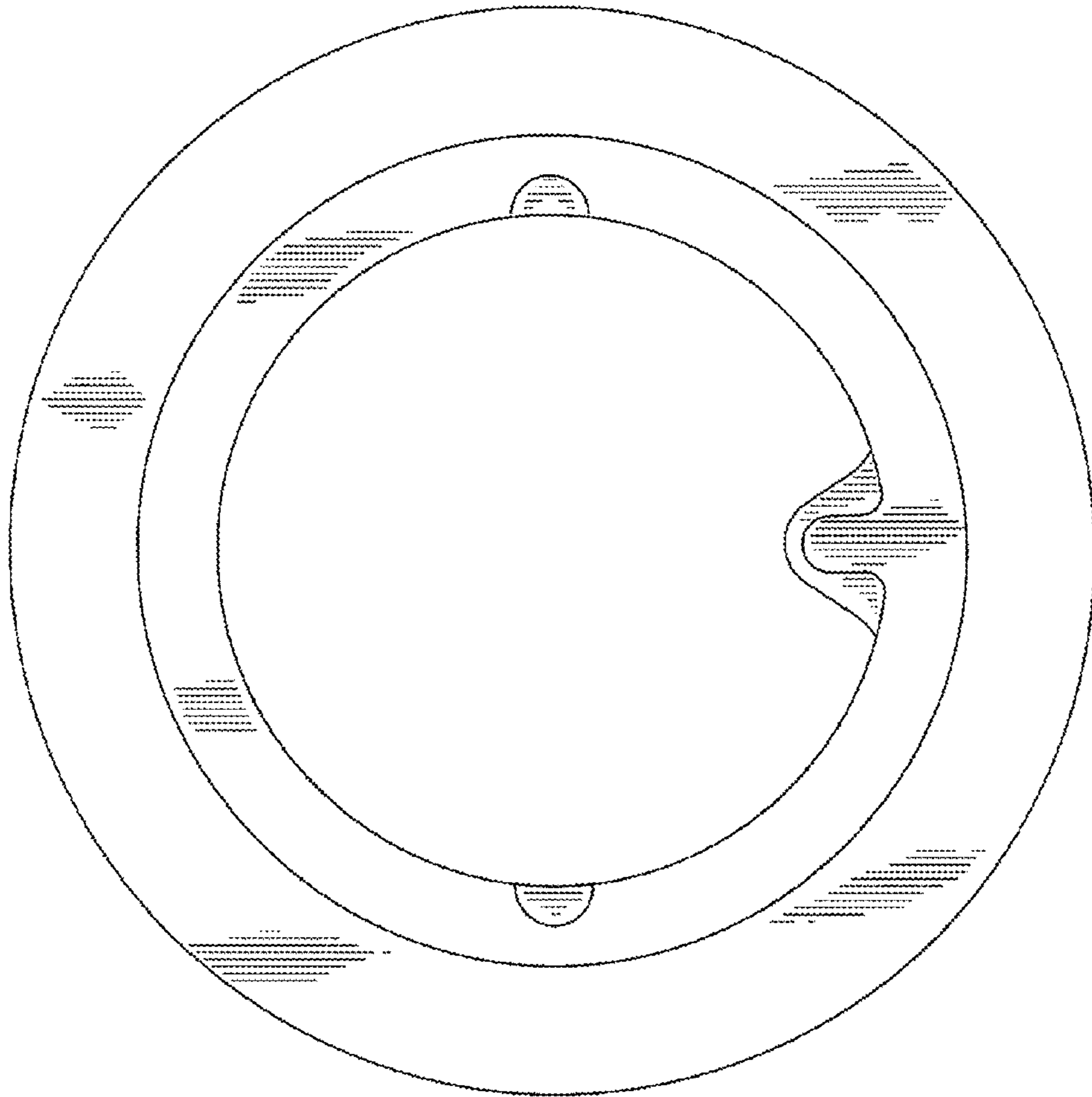


FIG. 2

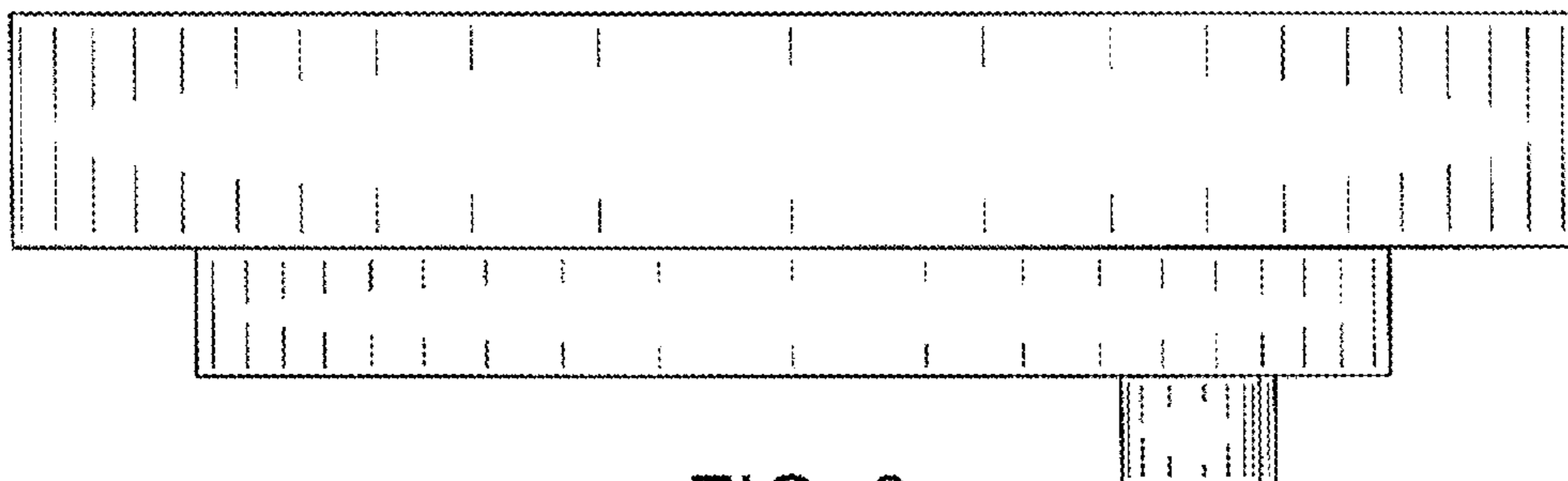


FIG. 3

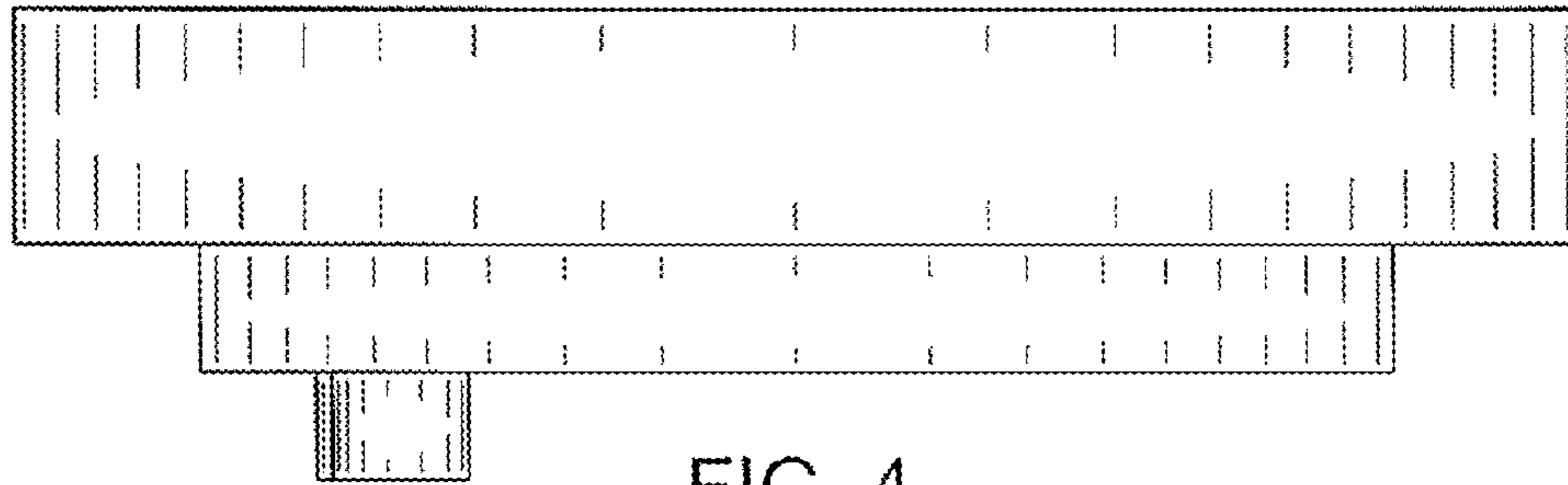


FIG. 4

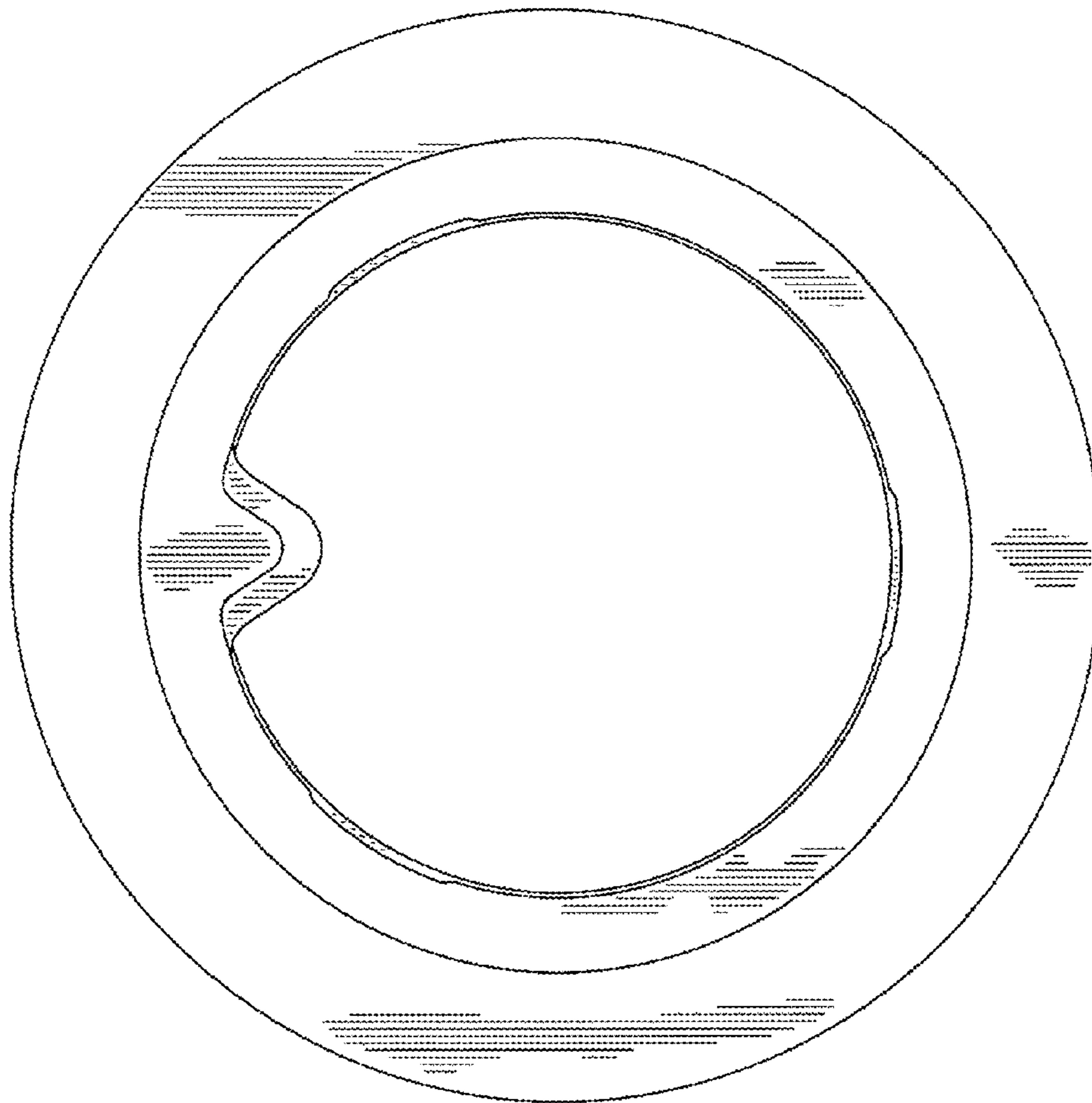


FIG. 5

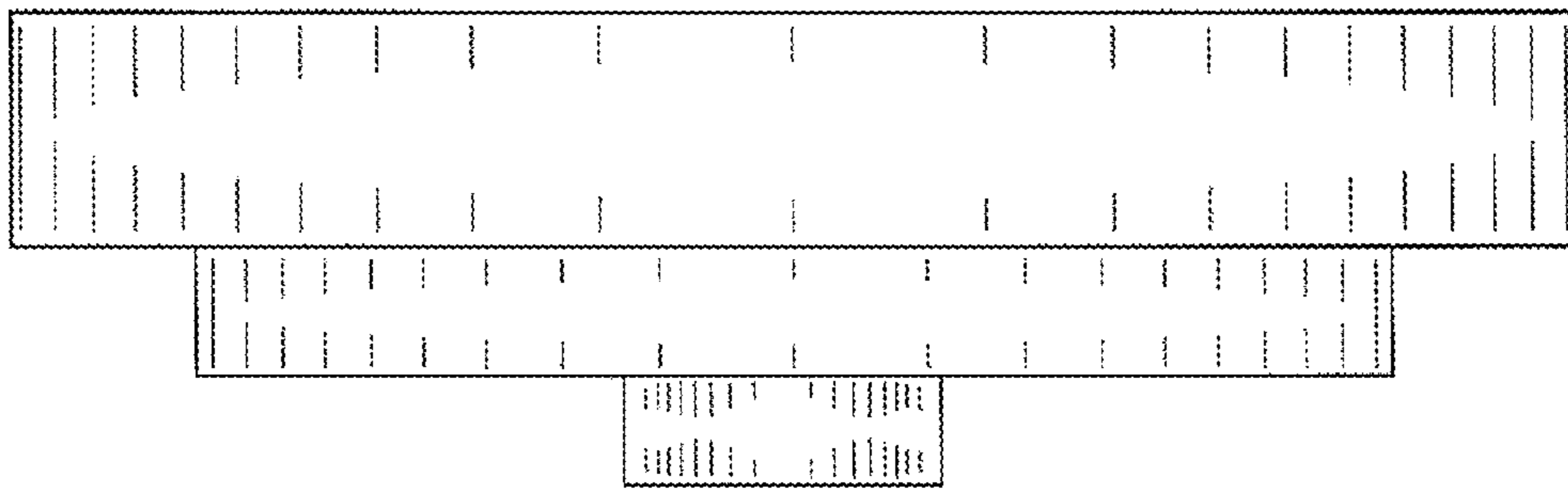


FIG. 6

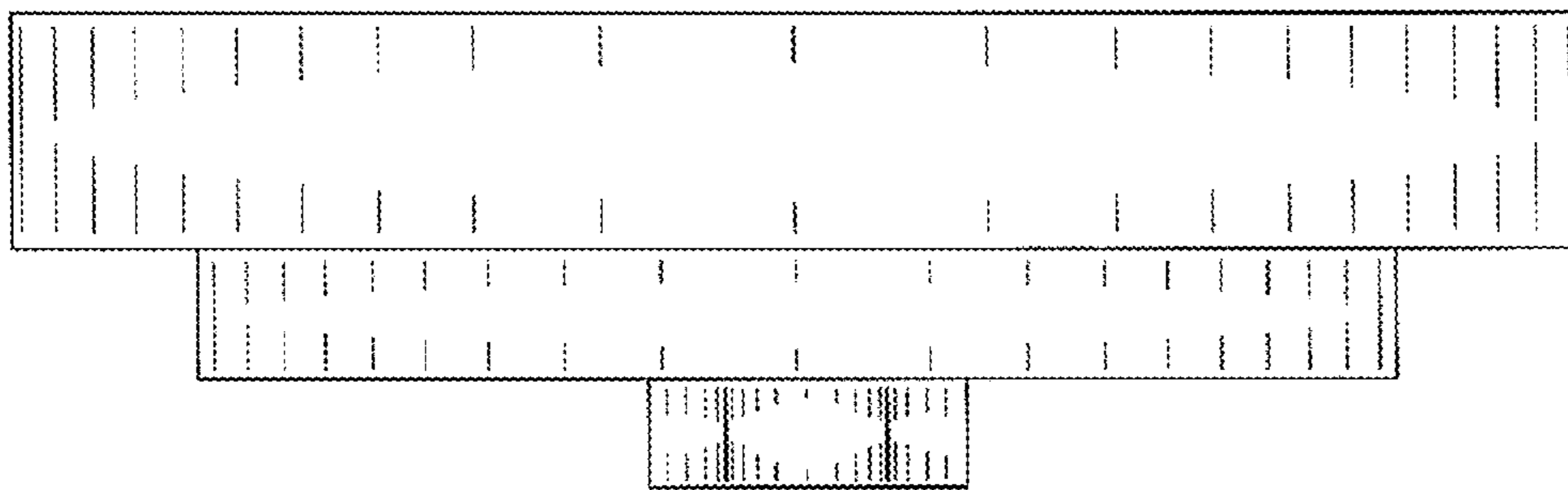


FIG. 7