



US00D753799S

(12) **United States Design Patent**  
**LaBarbera et al.**

(10) **Patent No.:** **US D753,799 S**  
(45) **Date of Patent:** **\*\* Apr. 12, 2016**

(54) **COVER FOR QUICK-DISCONNECT FITTING**

(71) Applicants: **John LaBarbera**, Poway, CA (US);  
**Vincent LaBarbera**, Poway, CA (US)

(72) Inventors: **John LaBarbera**, Poway, CA (US);  
**Vincent LaBarbera**, Poway, CA (US)

(73) Assignee: **MYTEE PRODUCTS, INC.**, Poway,  
CA (US)

(\*\*) Term: **14 Years**

(21) Appl. No.: **29/518,288**

(22) Filed: **Feb. 22, 2015**

(51) **LOC (10) Cl.** ..... **23-01**

(52) **U.S. Cl.**

USPC ..... **D23/249**

(58) **Field of Classification Search**

USPC ..... D23/233–250; 137/315.5, 637.1, 15.18,  
137/315.09, 375, 383, 614.06, 614.04,  
137/614.03; 141/383; 166/360, 345, 368;  
138/149; 285/47; 251/149.9, 308, 316,  
251/314, 343

CPC ..... F16K 27/003; F16K 13/00; F16K 24/00;  
F16K 3/0227

See application file for complete search history.

(56) **References Cited**

**U.S. PATENT DOCUMENTS**

7,823,643 B2 \* 11/2010 Wong ..... F16L 59/18  
138/149

7,950,415 B2 \* 5/2011 Witt ..... A62B 9/04  
137/614.03

8,539,995 B2 \* 9/2013 Smith ..... B65G 69/183  
137/164.04  
D720,831 S \* 1/2015 O'Banion ..... D23/233  
D734,434 S \* 7/2015 Witkowski ..... D23/249  
2010/0084049 A1 \* 4/2010 Smith ..... B65G 69/183  
141/383  
2012/0085443 A1 \* 4/2012 Ellis ..... F16L 55/115  
137/164.04

\* cited by examiner

*Primary Examiner* — Cynthia Ramirez

*Assistant Examiner* — Gino Colan

(74) *Attorney, Agent, or Firm* — Themis Law

(57) **CLAIM**

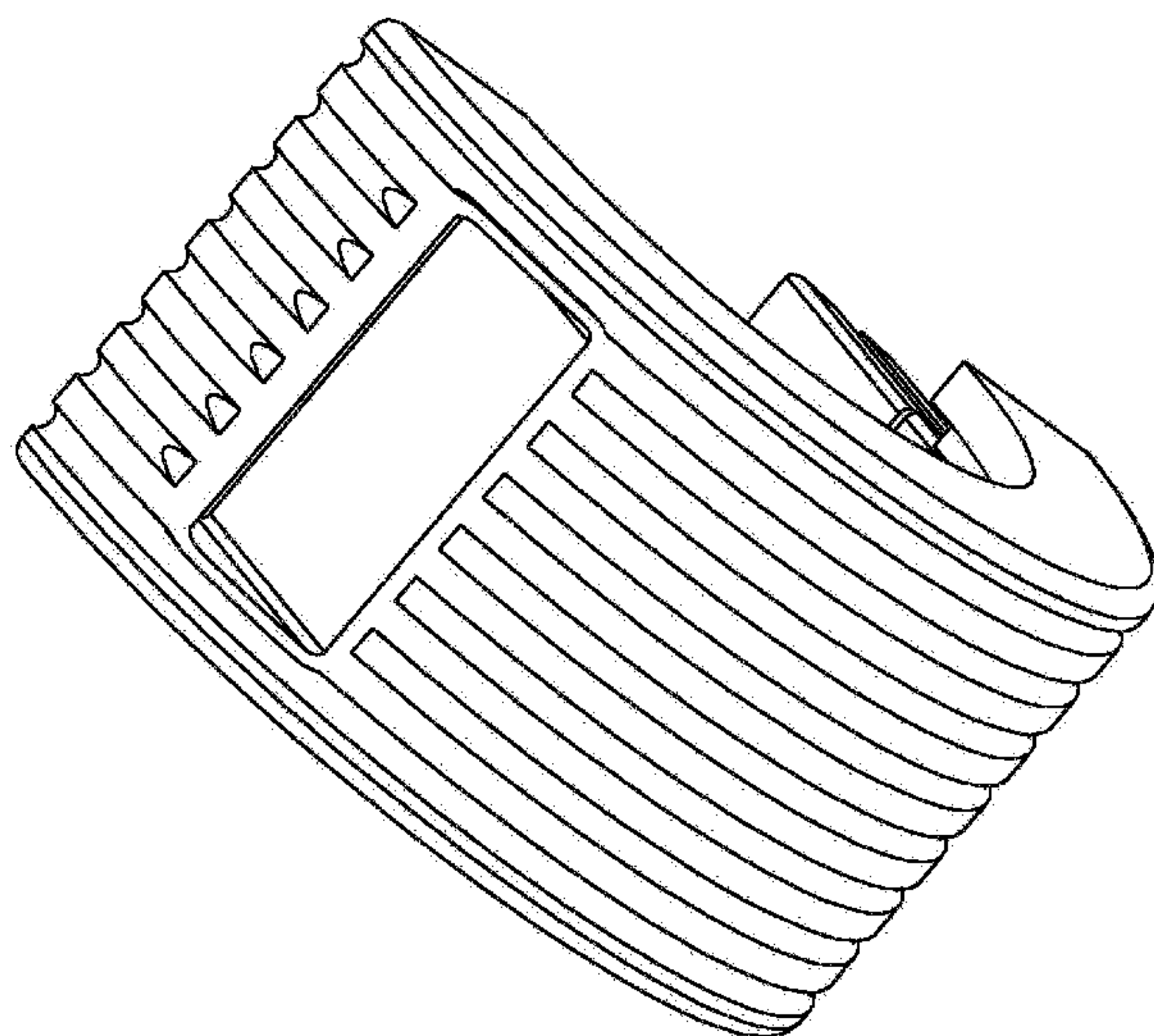
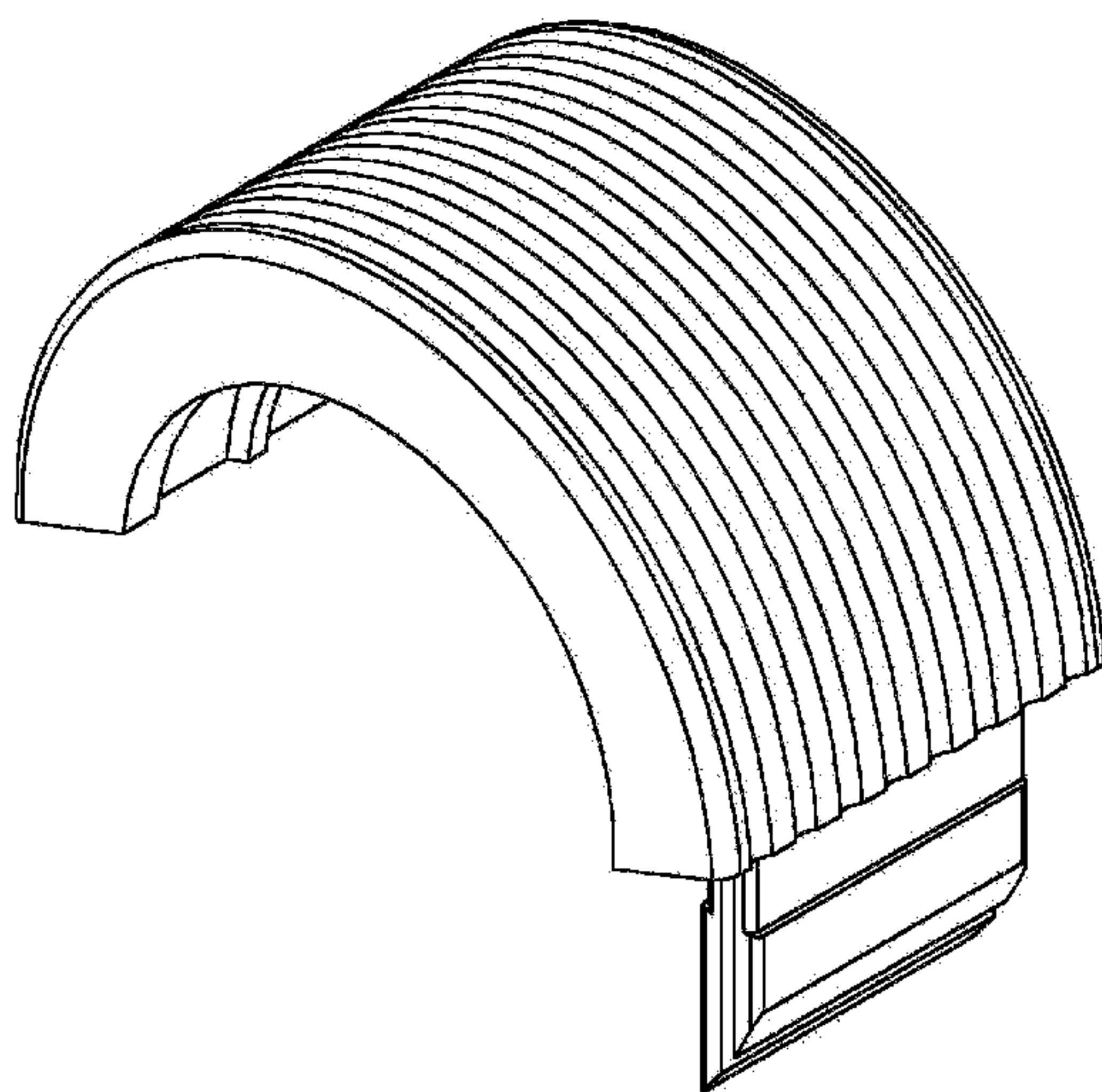
The ornamental design for a cover for quick-disconnect fitting, as shown and described.

**DESCRIPTION**

FIG. 1 is a perspective front-right view of a cover for quick-disconnect fitting showing our new design; FIG. 2 is a perspective front-left view thereof; FIG. 3 is a front elevational view thereof; FIG. 4 is a rear elevational view thereof; FIG. 5 is a left side elevational view thereof; FIG. 6 is a right side elevational view thereof; FIG. 7 is a top plan view thereof; FIG. 8 is a bottom plan view thereof; FIG. 9 is another perspective view, showing a mode of use thereof; and, FIG. 10 is another perspective view, showing a mode of use thereof.

The broken lines in the drawings are included for the purpose of illustrating environment and form no part of the claimed design.

**1 Claim, 10 Drawing Sheets**



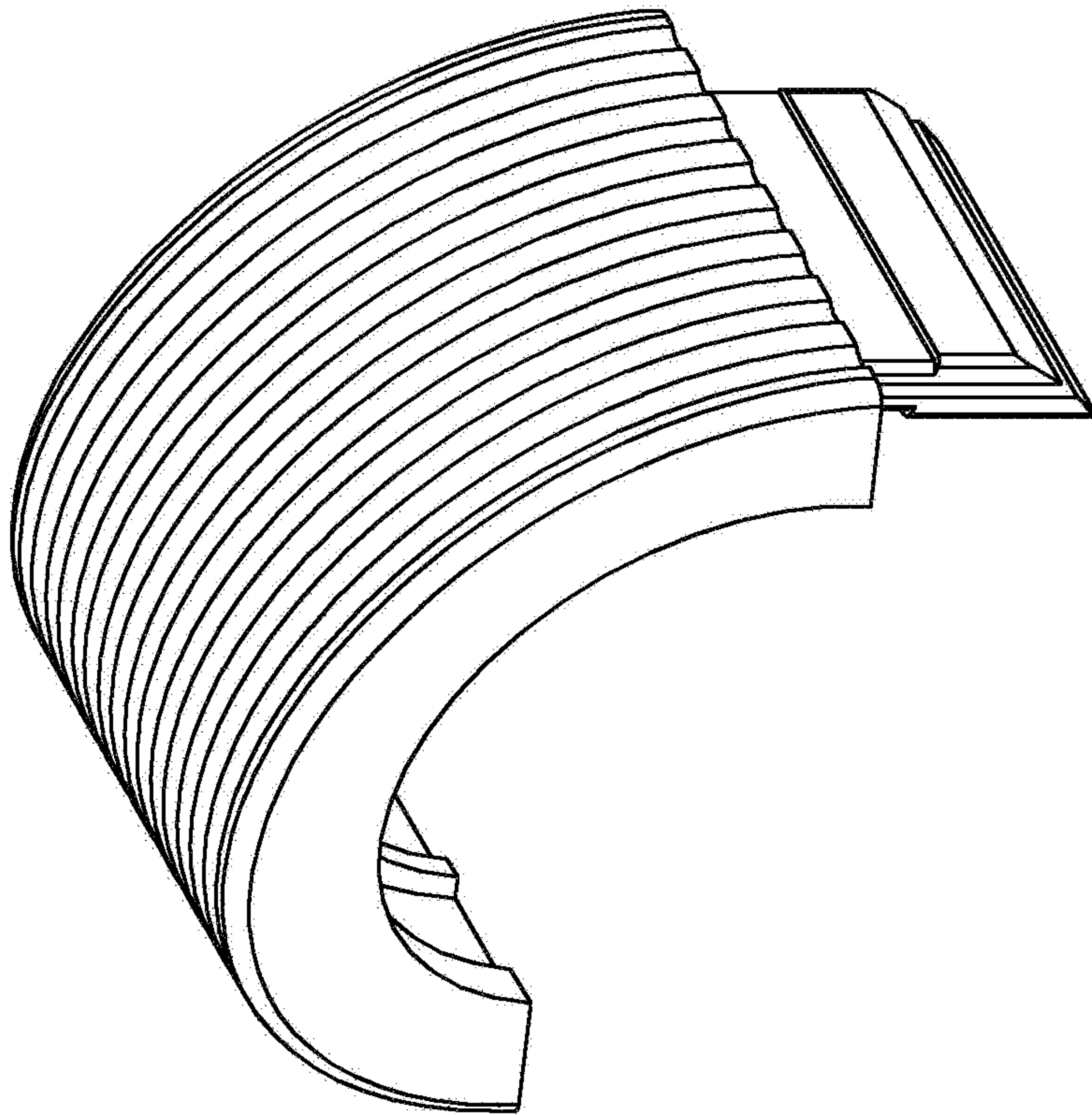


FIG. 1

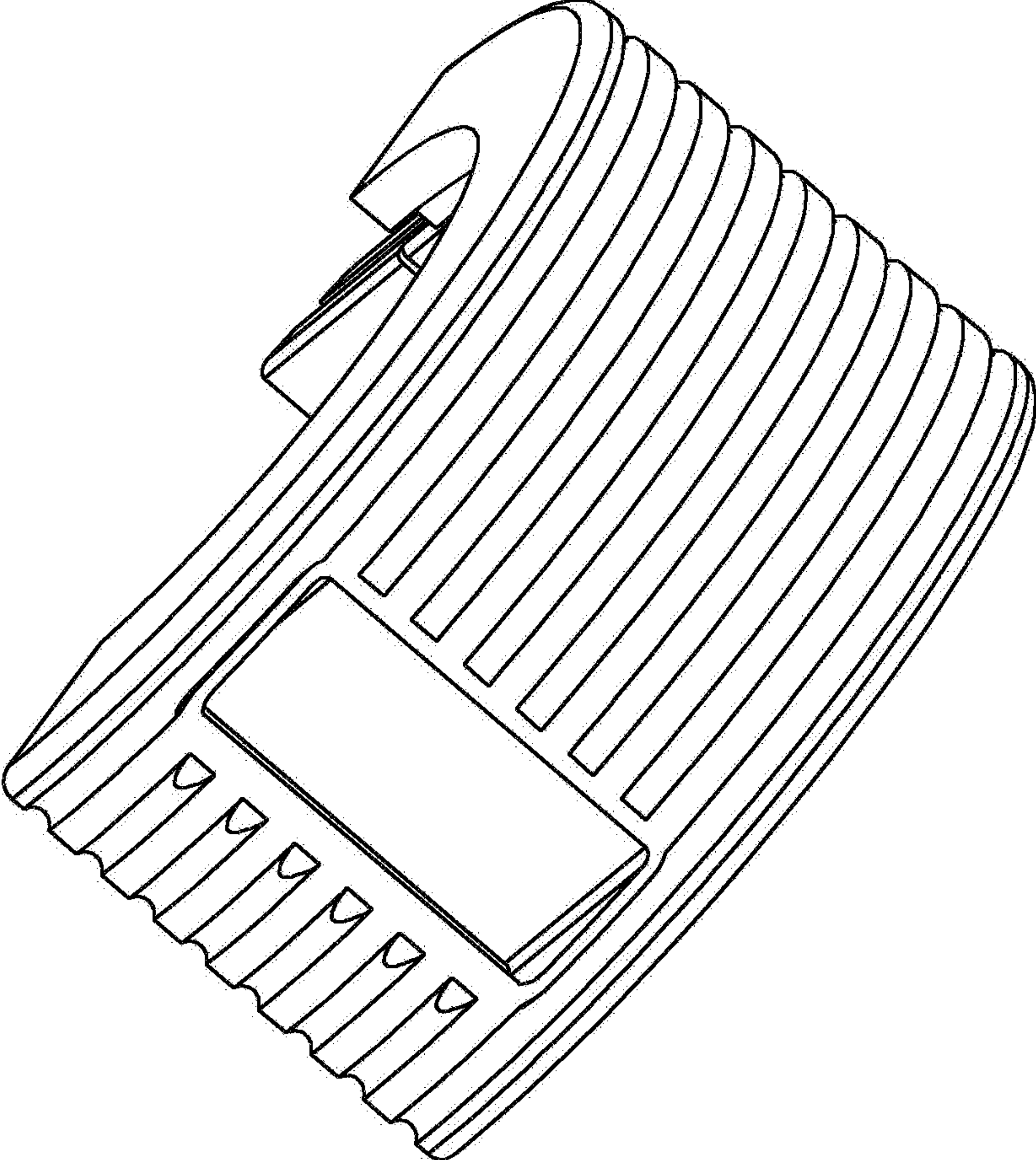


FIG. 2

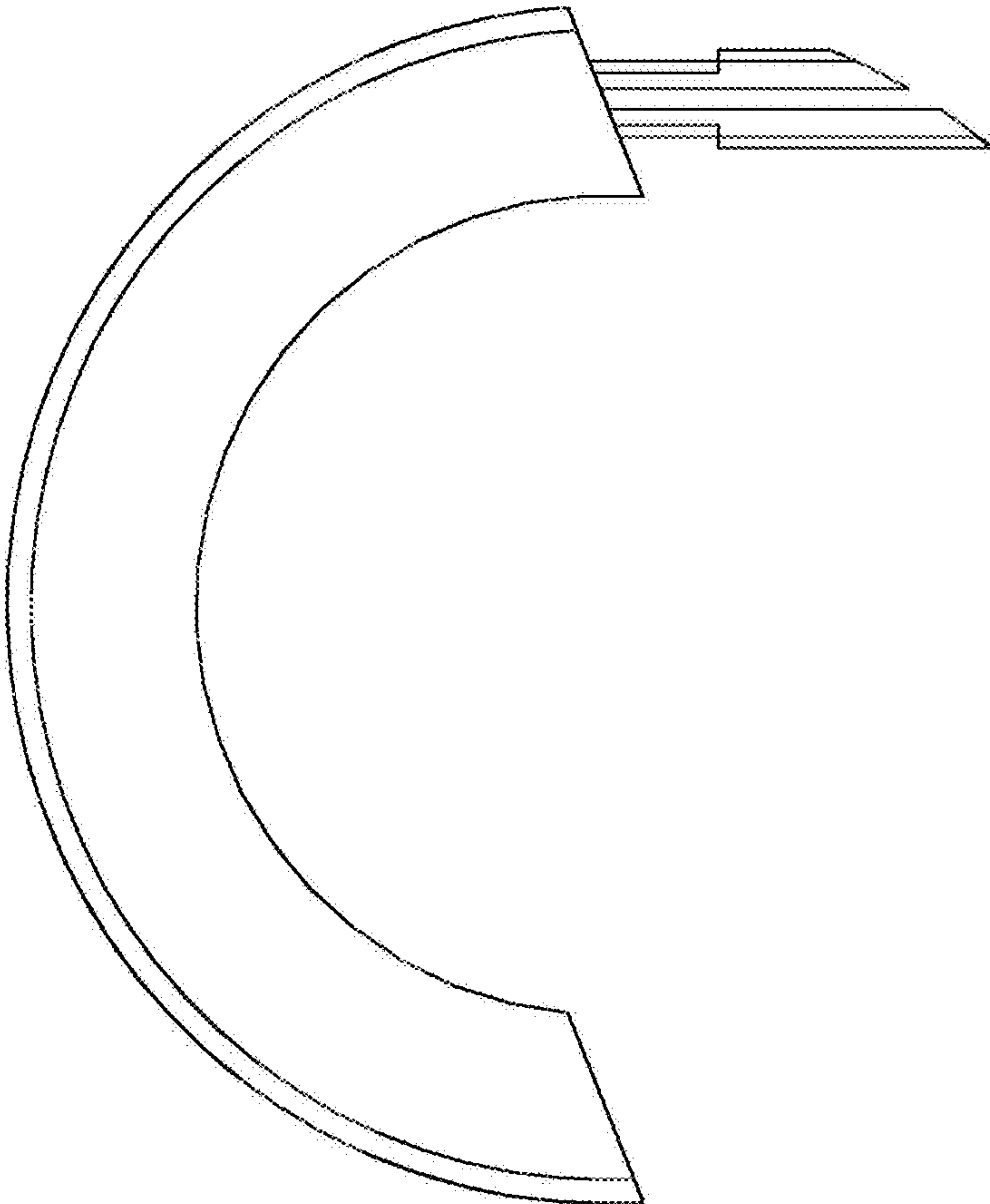


FIG. 3



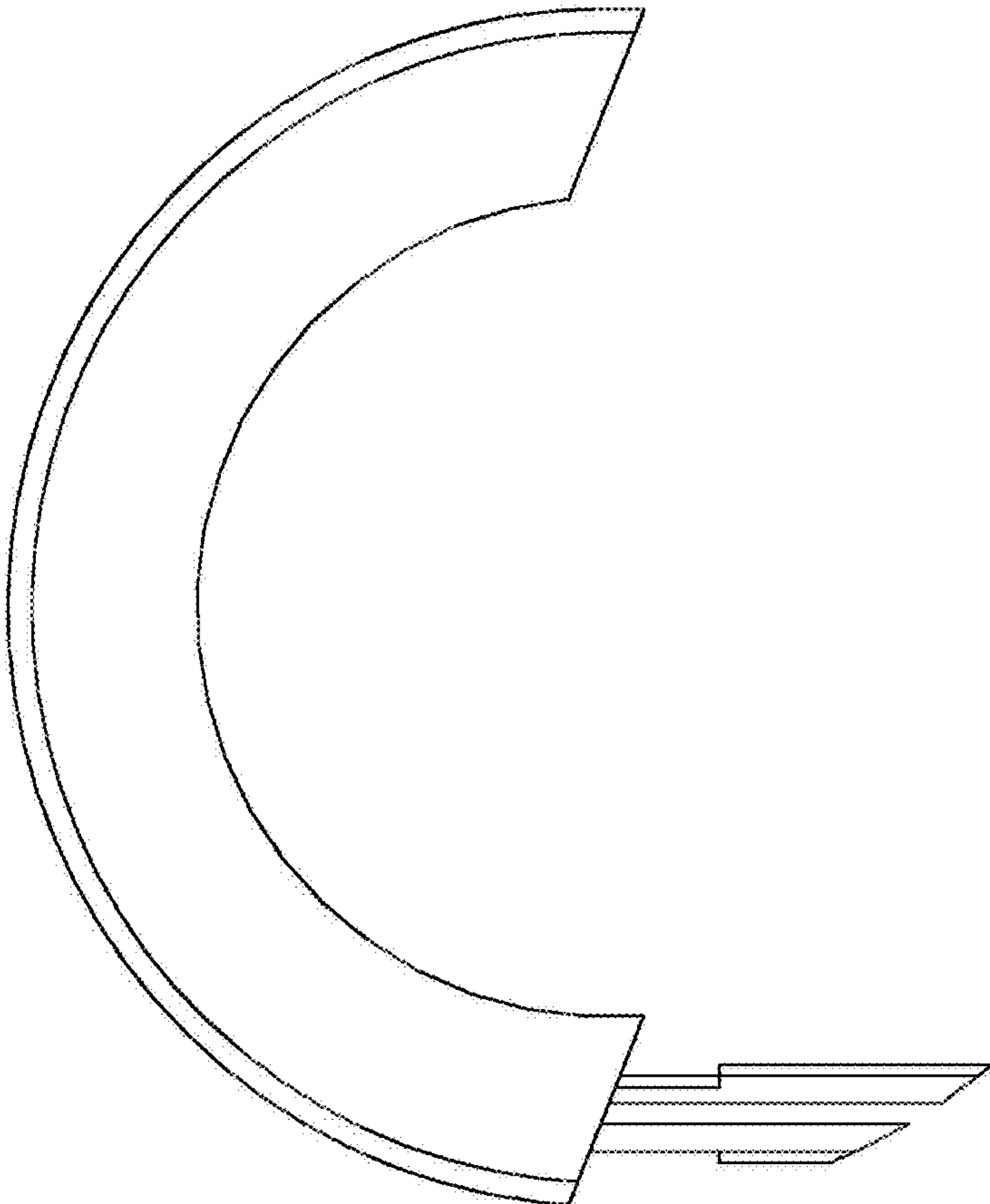


FIG. 4

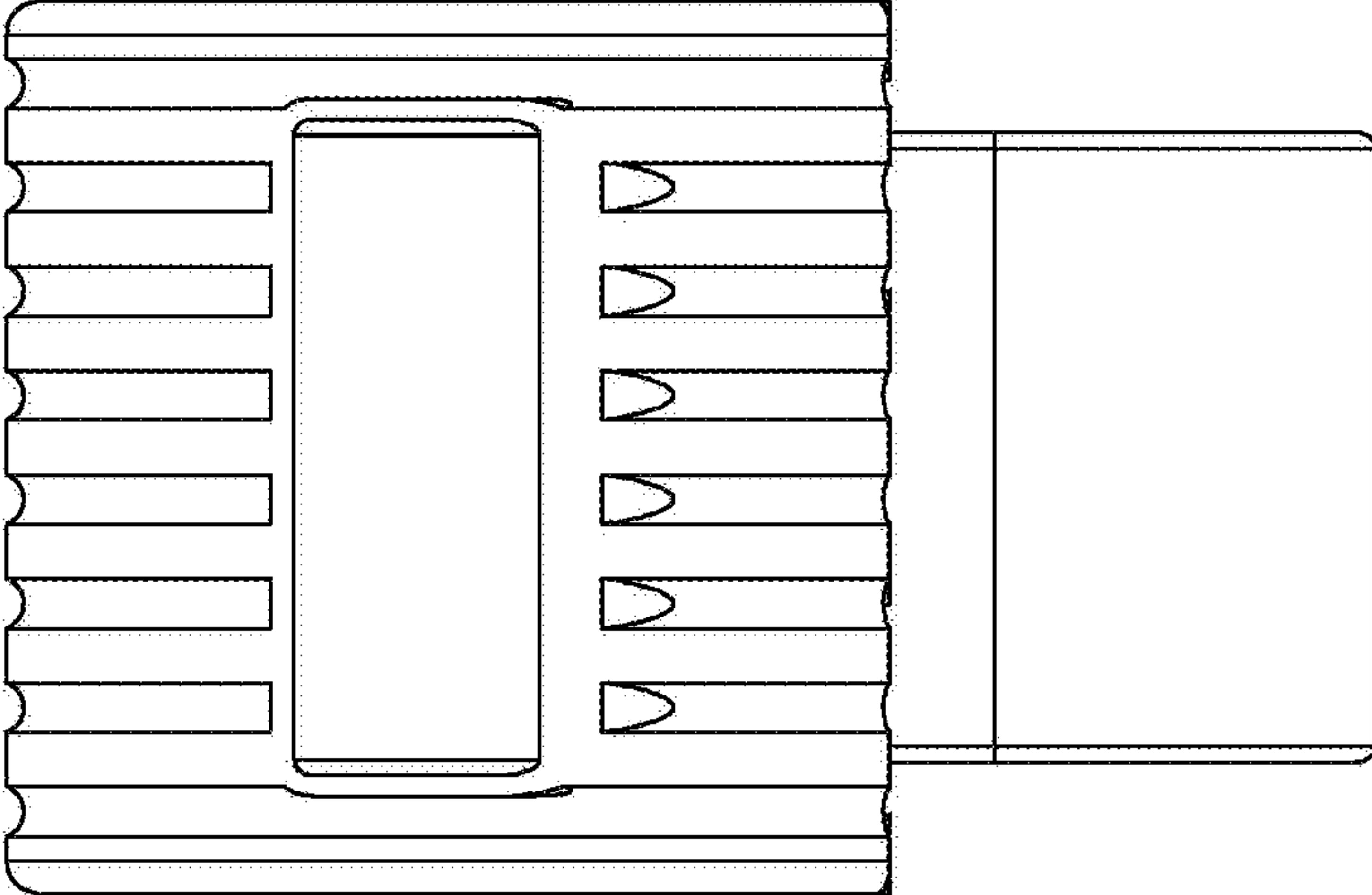


FIG. 5

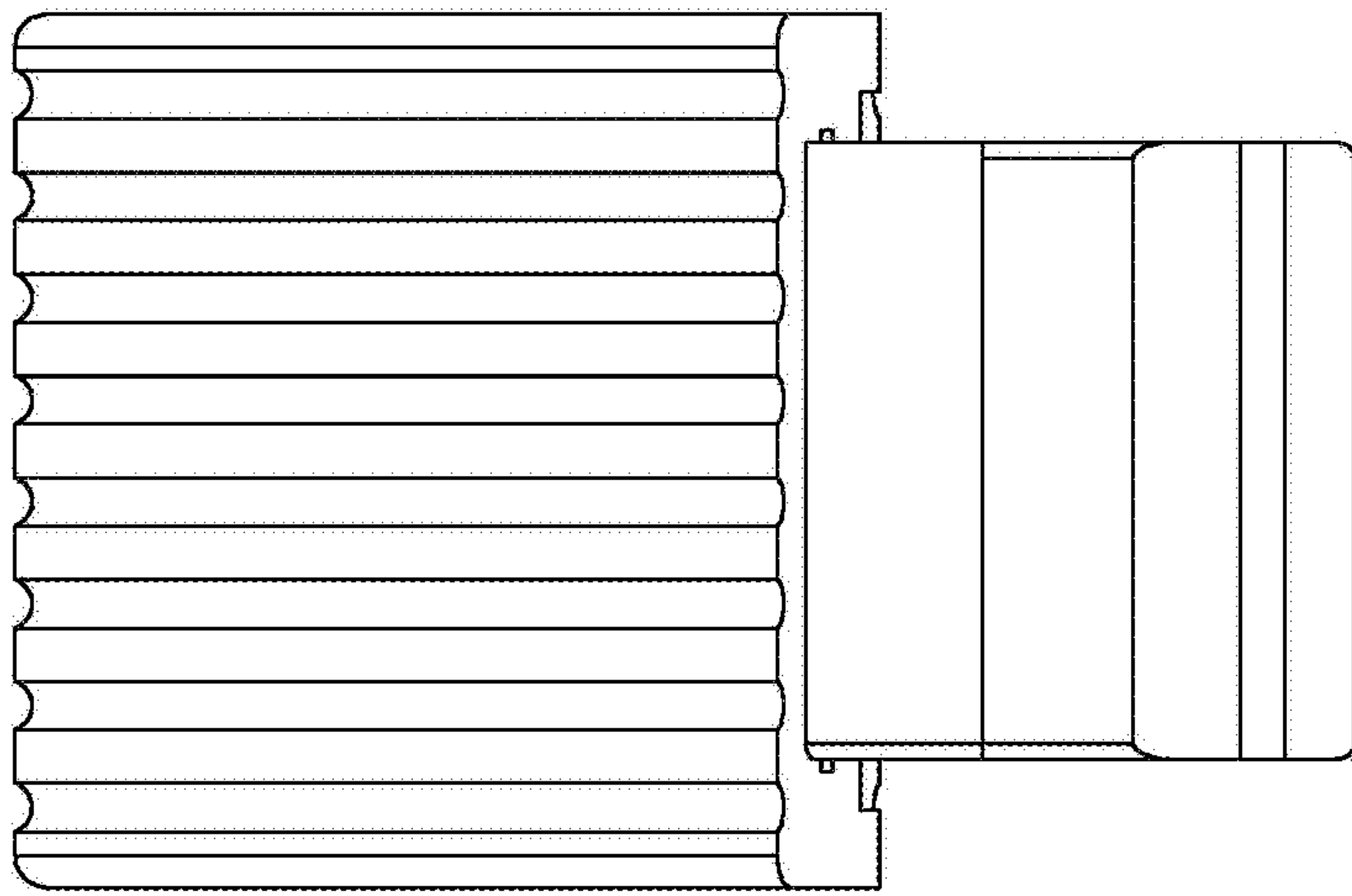


FIG. 6

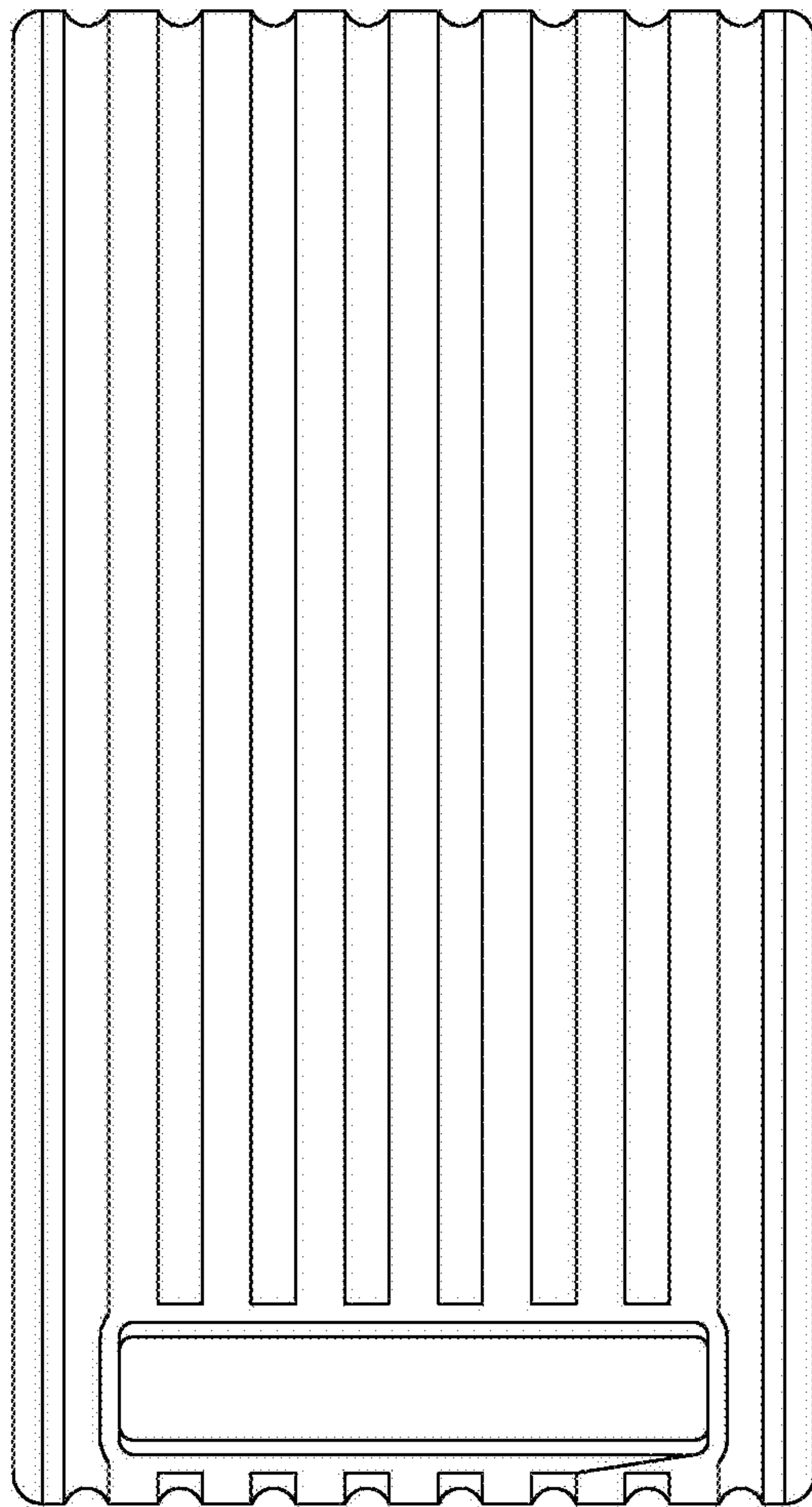


FIG. 7



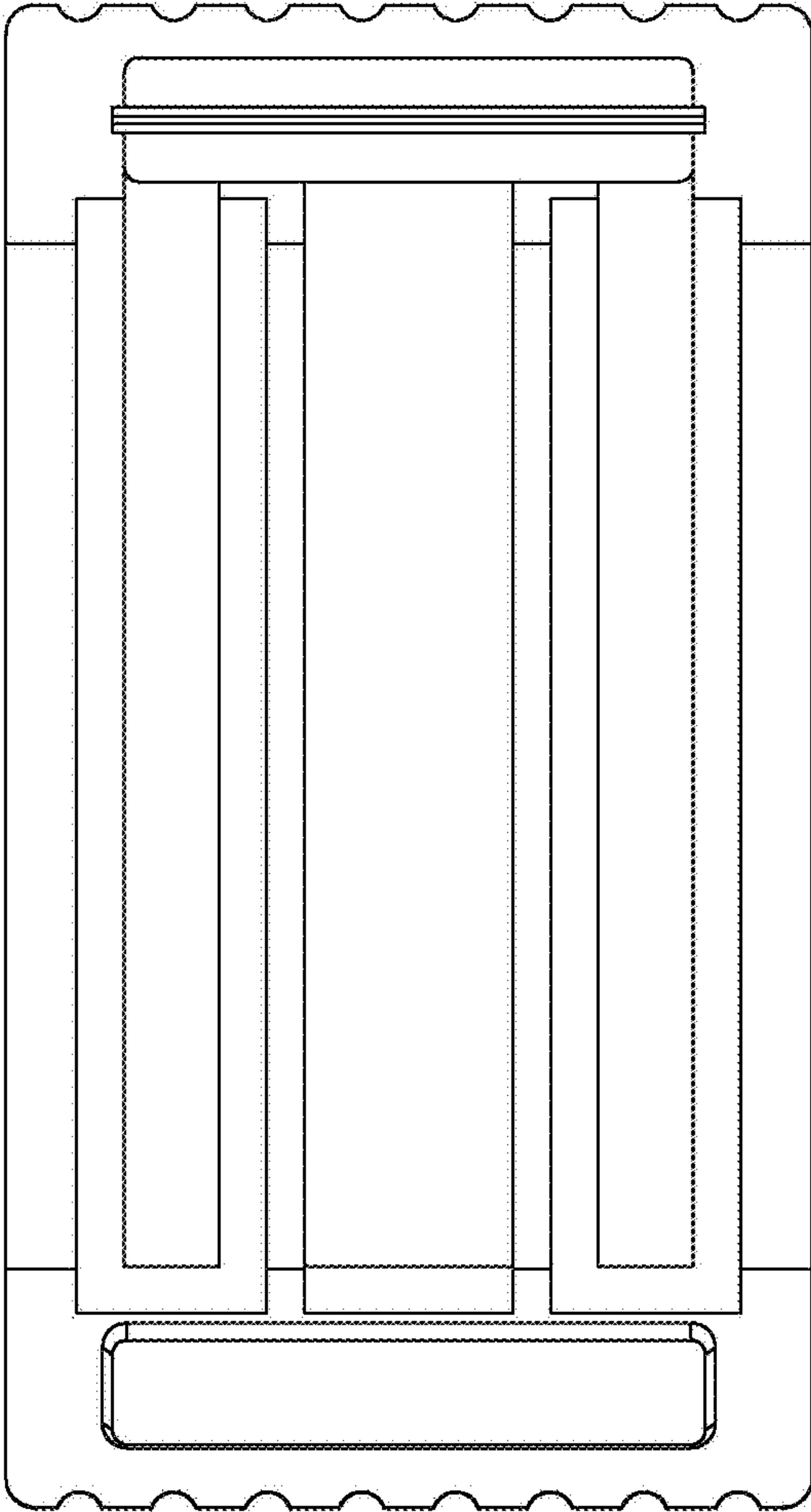


FIG. 8

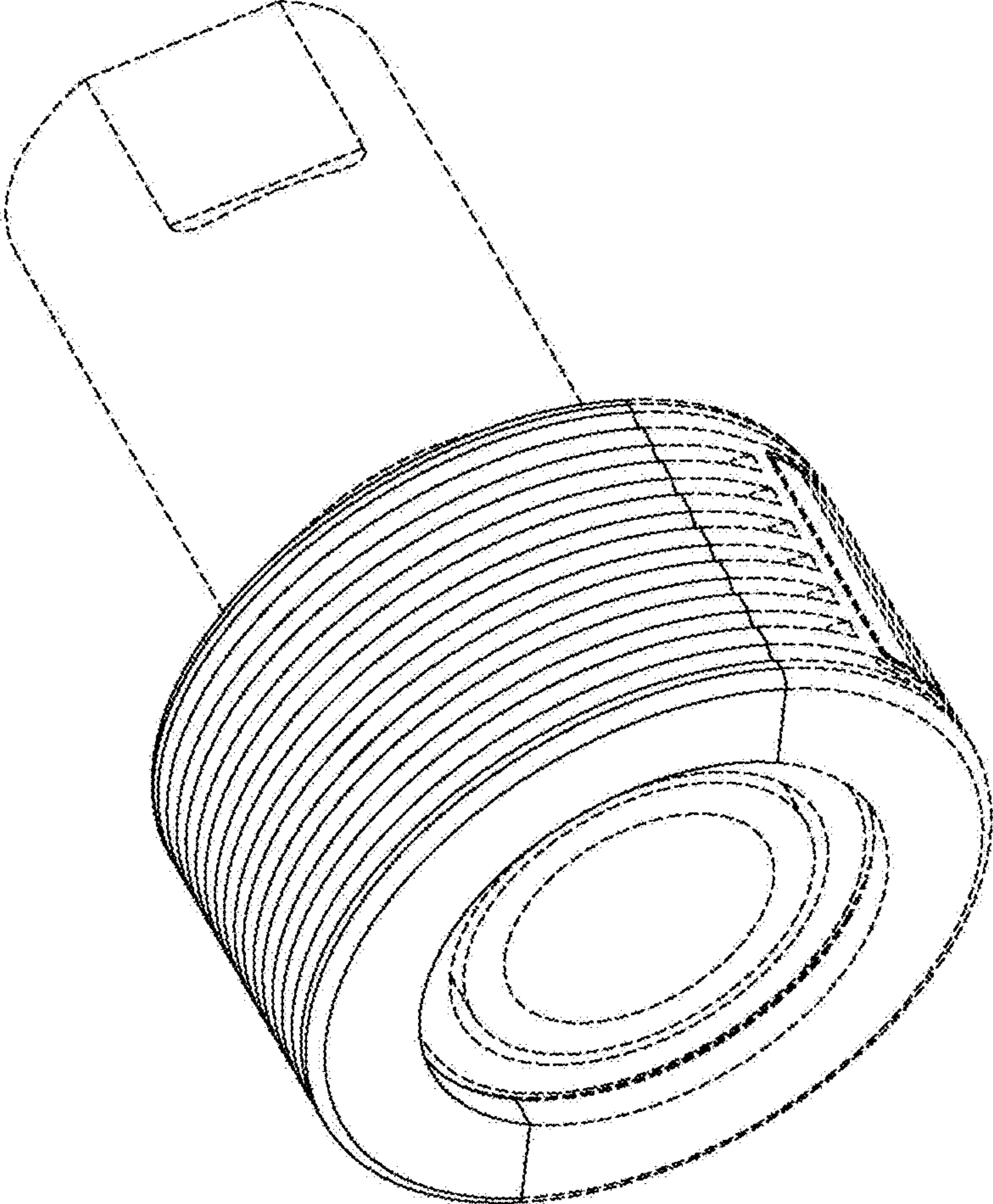


FIG. 9

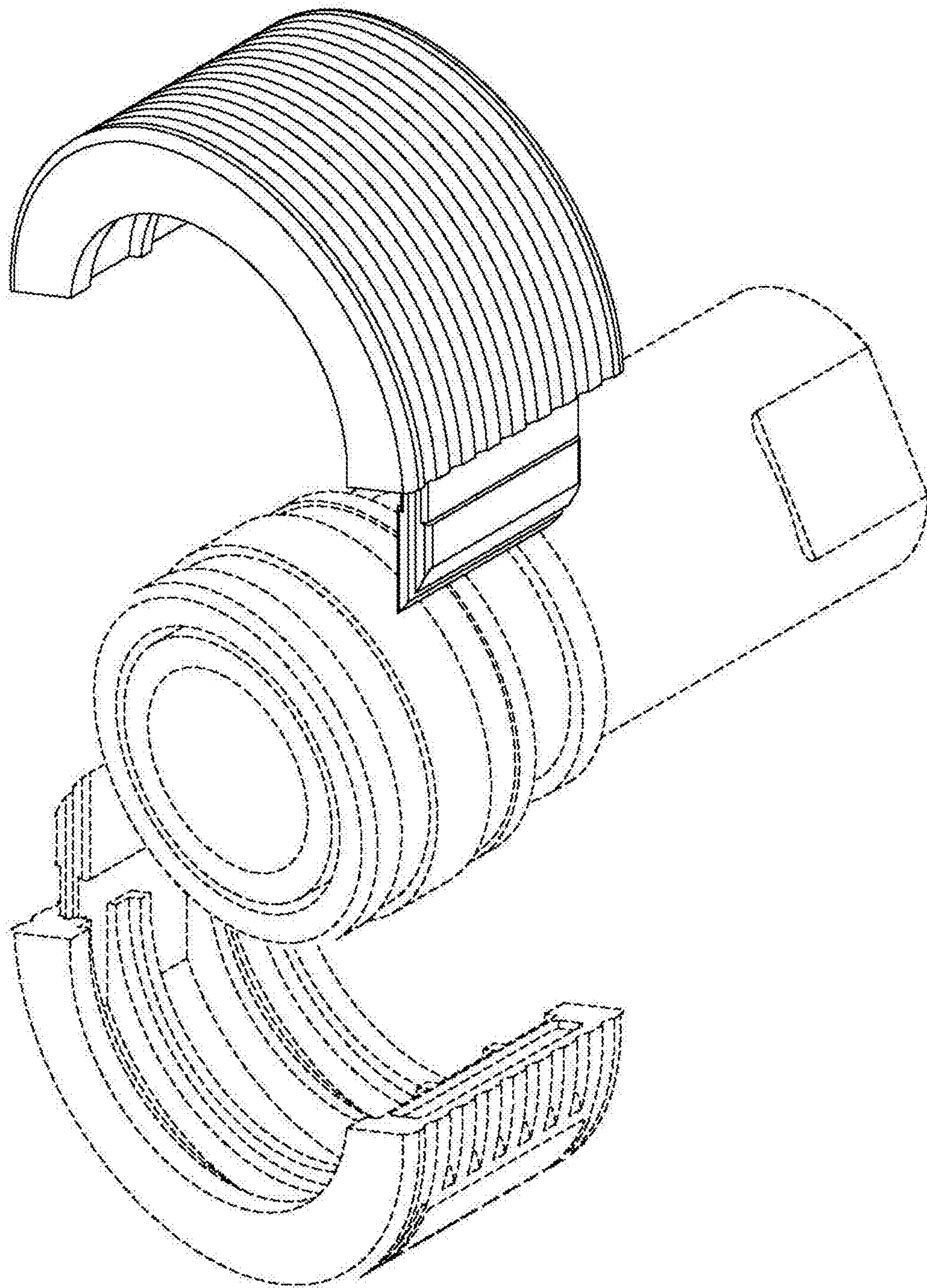


FIG. 10