

US00D753795S

(12) **United States Design Patent**
Rahms

(10) **Patent No.:** **US D753,795 S**
(45) **Date of Patent:** **** Apr. 12, 2016**

(54) **VALVE**

(71) Applicant: **Buschjost GmbH**, Bad Oeynhausen (DE)

(72) Inventor: **Andreas Rahms**, Bad Oeynhausen (DE)

(73) Assignee: **Buschjost GmbH**, Bad Oeynhausen (DE)

(**) Term: **14 Years**

(21) Appl. No.: **29/507,462**

(22) Filed: **Oct. 28, 2014**

(30) **Foreign Application Priority Data**

May 5, 2014 (EM) 001410690-0001

(51) **LOC (10) Cl.** **23-01**

(52) **U.S. Cl.**
USPC **D23/233**

(58) **Field of Classification Search**
USPC D23/231, 232, 225, 233; 251/62,
251/129.15, 129.19, 337, 129.2; 137/487.5,
137/15.21, 625.64, 625.65, 315.03
CPC .. F16K 31/0675; F16K 27/029; F16K 27/048
See application file for complete search history.

(56) **References Cited**

U.S. PATENT DOCUMENTS

D246,908 S * 1/1978 Fetty D23/233
D615,618 S * 5/2010 Someya D23/233

D738,464 S * 9/2015 Yoshida D23/233
2007/0056645 A1 * 3/2007 Arnold F16K 11/0716
137/625.65
2009/0038690 A1 * 2/2009 Zur H01F 7/126
137/315.03
2010/0327200 A1 * 12/2010 Engler F16K 27/029
251/129.15
2011/0180736 A1 * 7/2011 Mangiafico F16K 31/0662
251/62
2015/0108382 A1 * 4/2015 Svensson F16K 31/02
251/129.19

* cited by examiner

Primary Examiner — Cynthia Ramirez

Assistant Examiner — Gino Colan

(74) *Attorney, Agent, or Firm* — Gudrun E. Hockett

(57) **CLAIM**

The ornamental design for a valve, as shown and described.

DESCRIPTION

FIG. 1 is a perspective view of a valve showing my new design;

FIG. 2 is second perspective view thereof;

FIG. 3 is a third perspective enlarged view thereof;

FIG. 4 is a fourth perspective enlarged view thereof;

FIG. 5 is a fifth perspective enlarged view thereof;

FIG. 6 is a sixth perspective enlarged view thereof;

FIG. 7 is a front elevational enlarged view thereof;

FIG. 8 is a right elevational enlarged view thereof;

FIG. 9 is a rear elevational enlarged view thereof;

FIG. 10 is a left elevational enlarged view thereof;

FIG. 11 is a top plan enlarged view thereof; and,

FIG. 12 is a bottom plan enlarged view thereof.

1 Claim, 12 Drawing Sheets

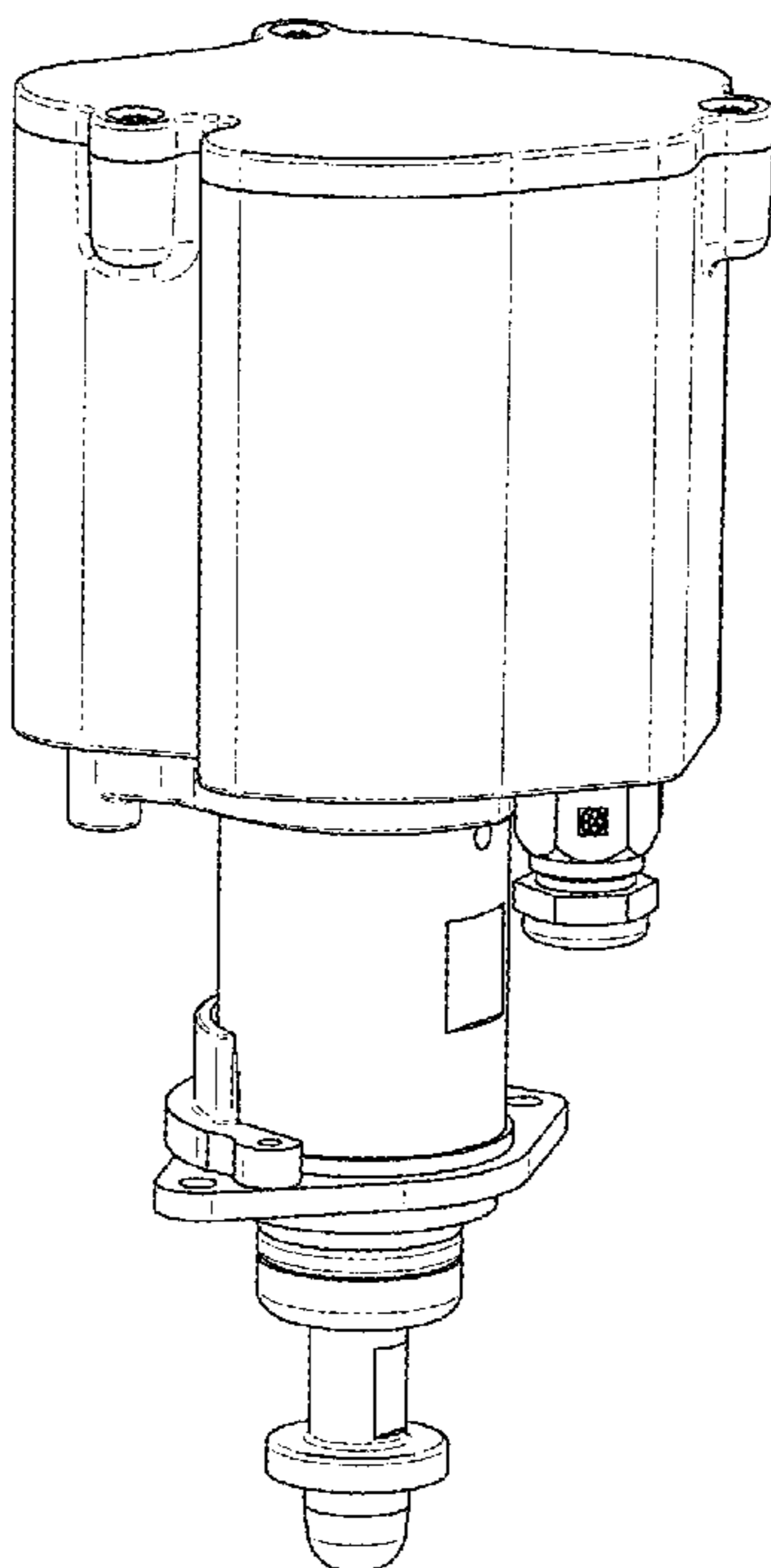


FIG. 1

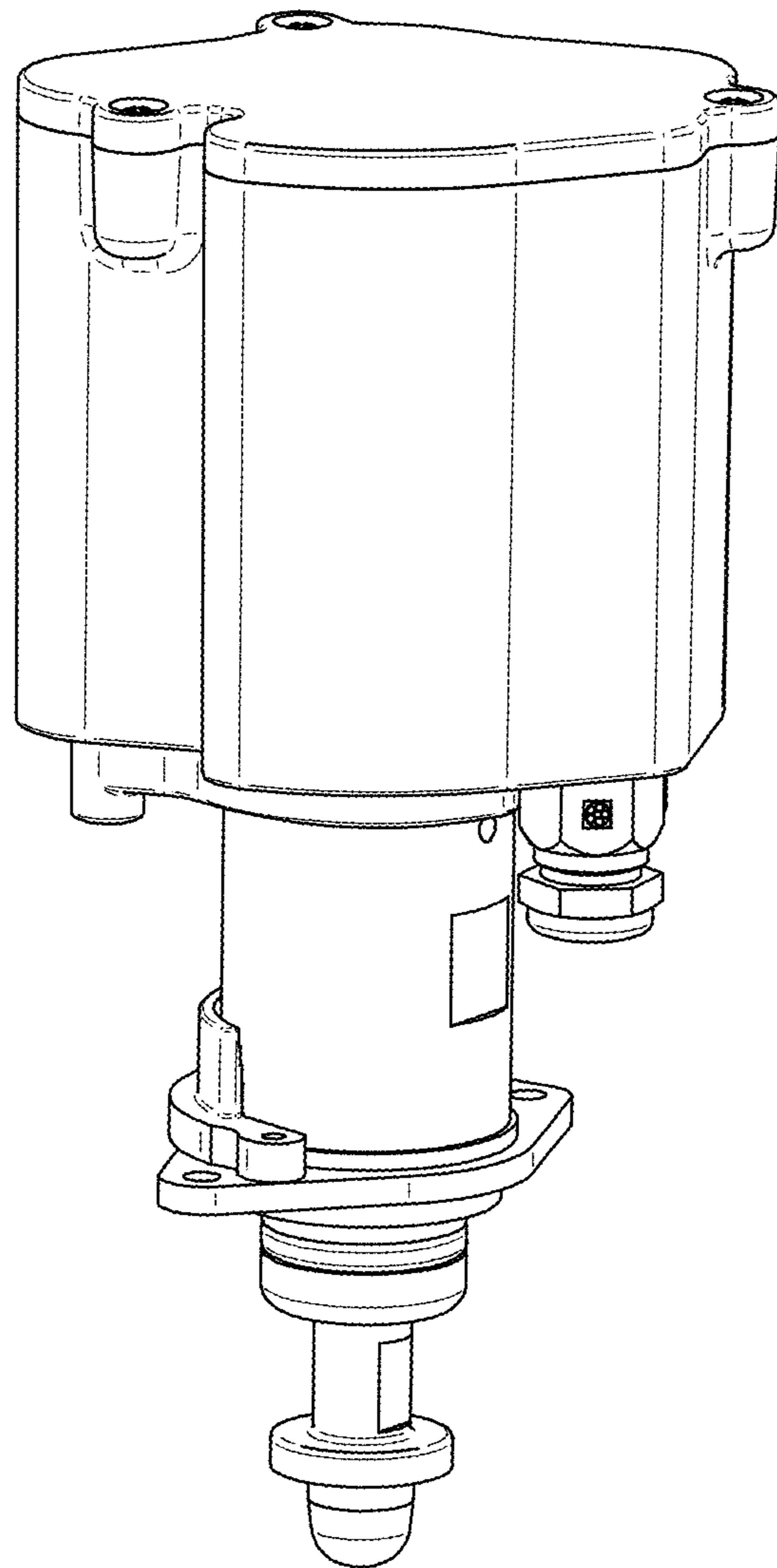


FIG. 2

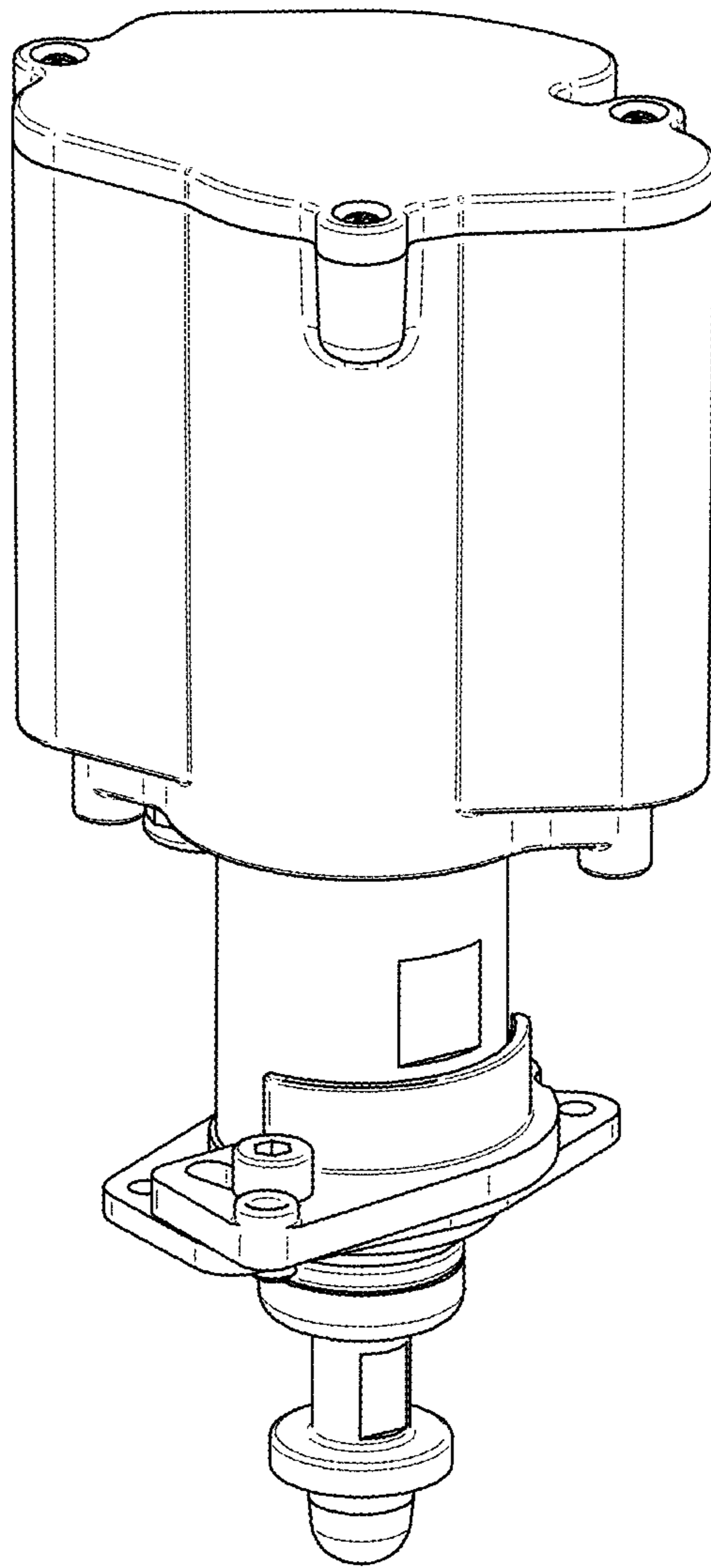


FIG. 3

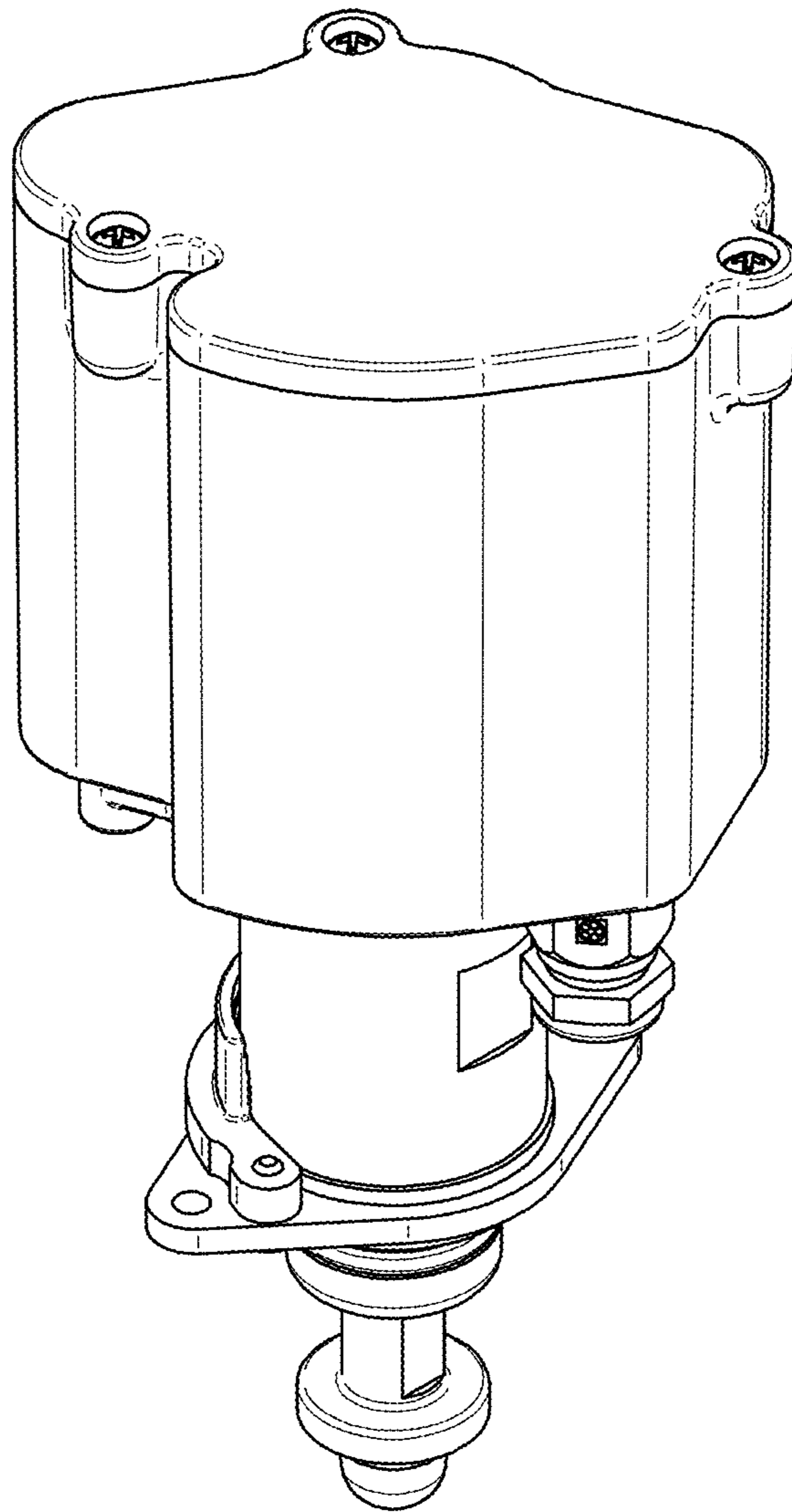


FIG. 4

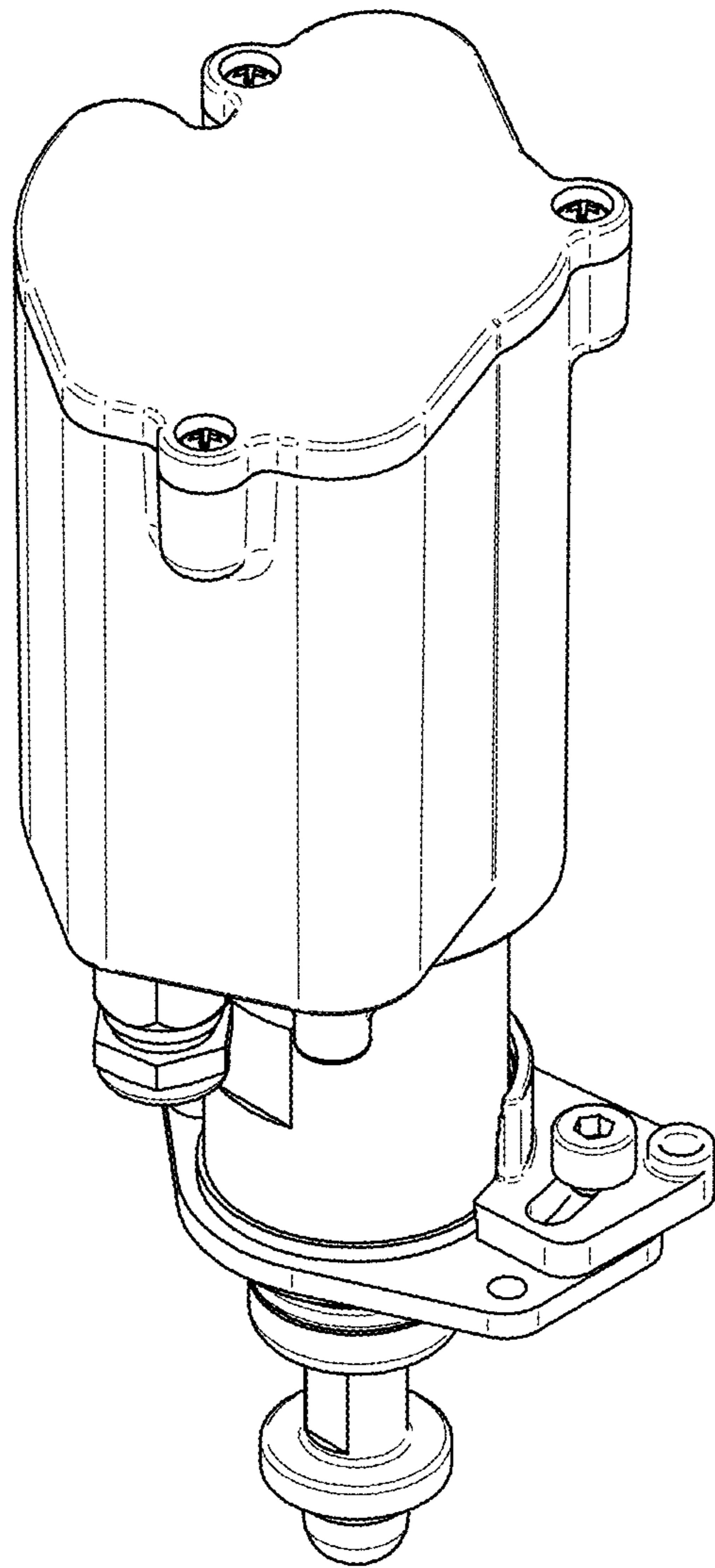


FIG. 5

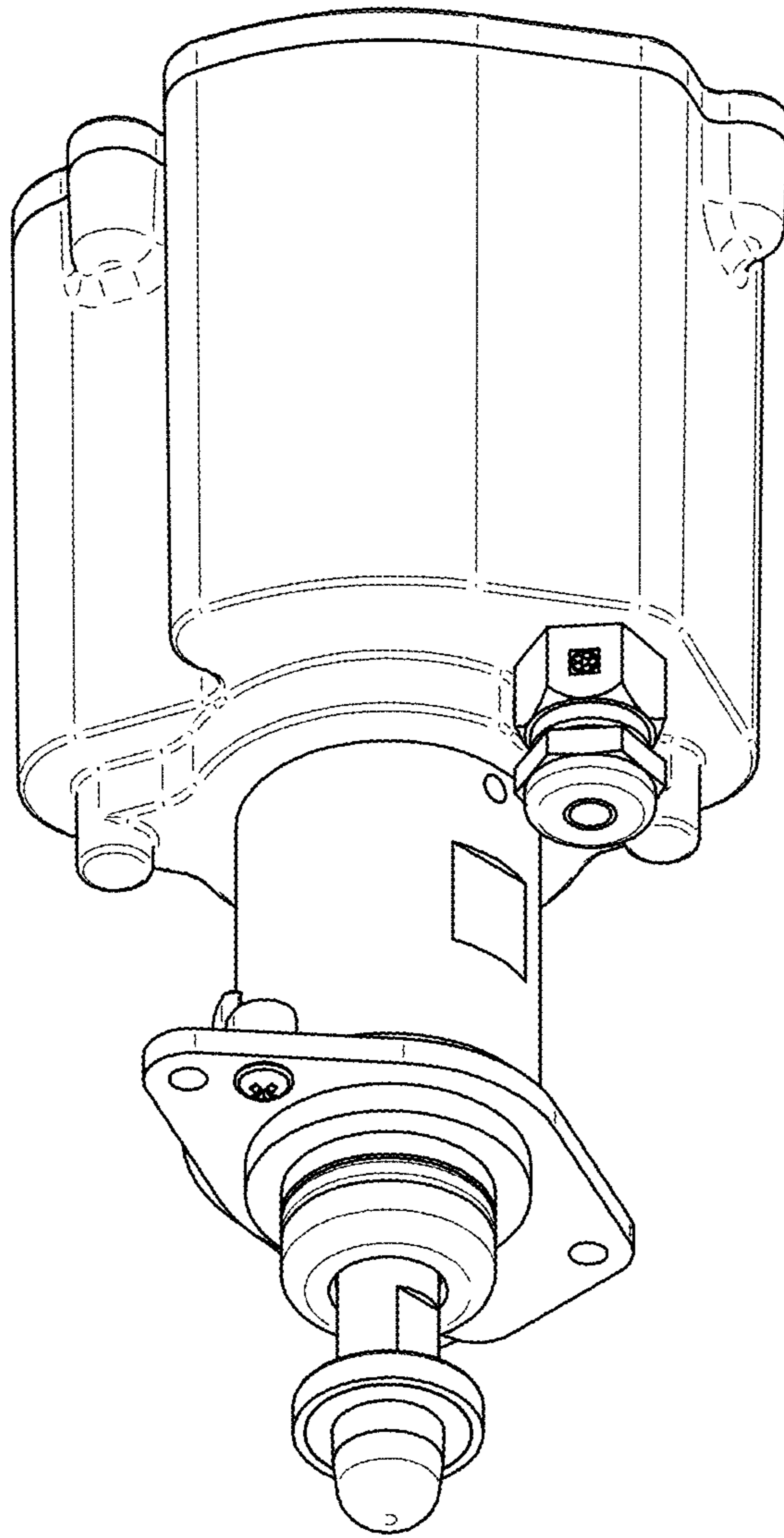


FIG. 6

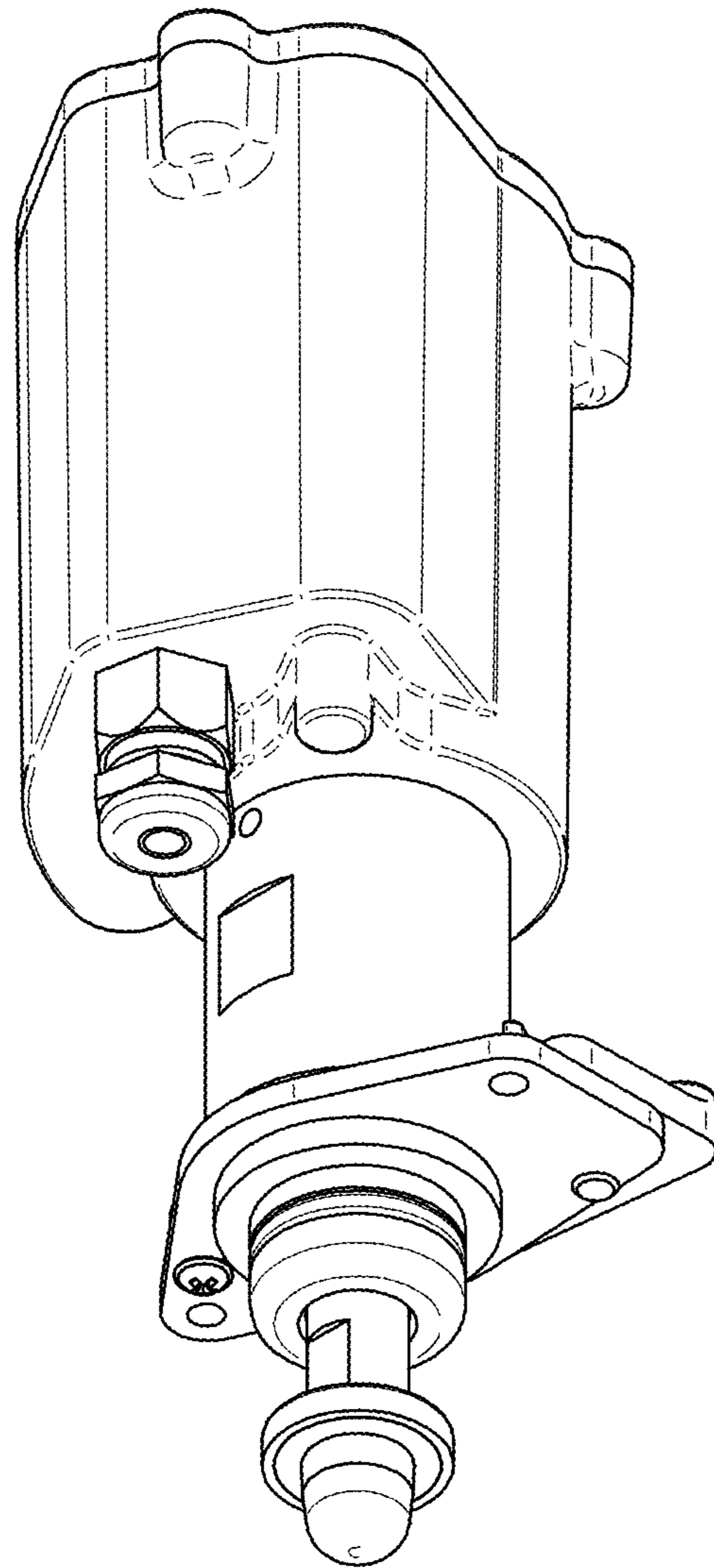


FIG. 7

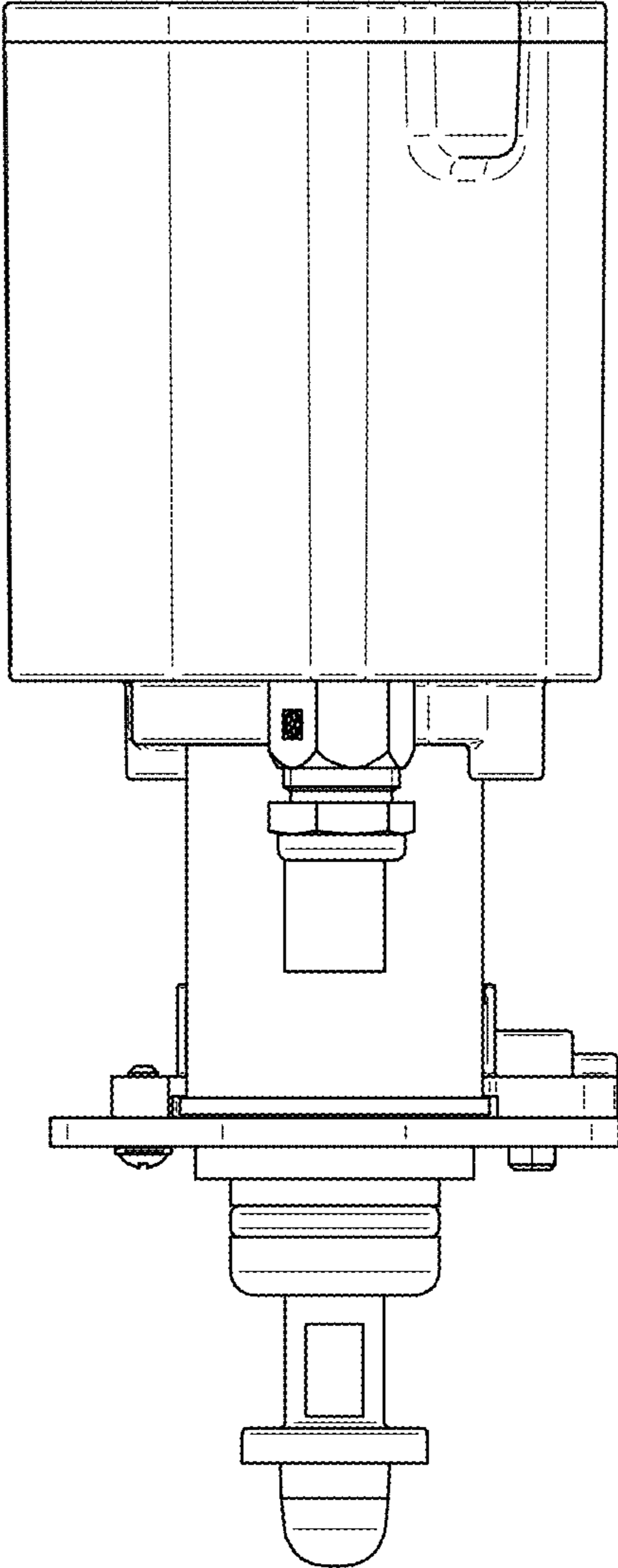


FIG. 8

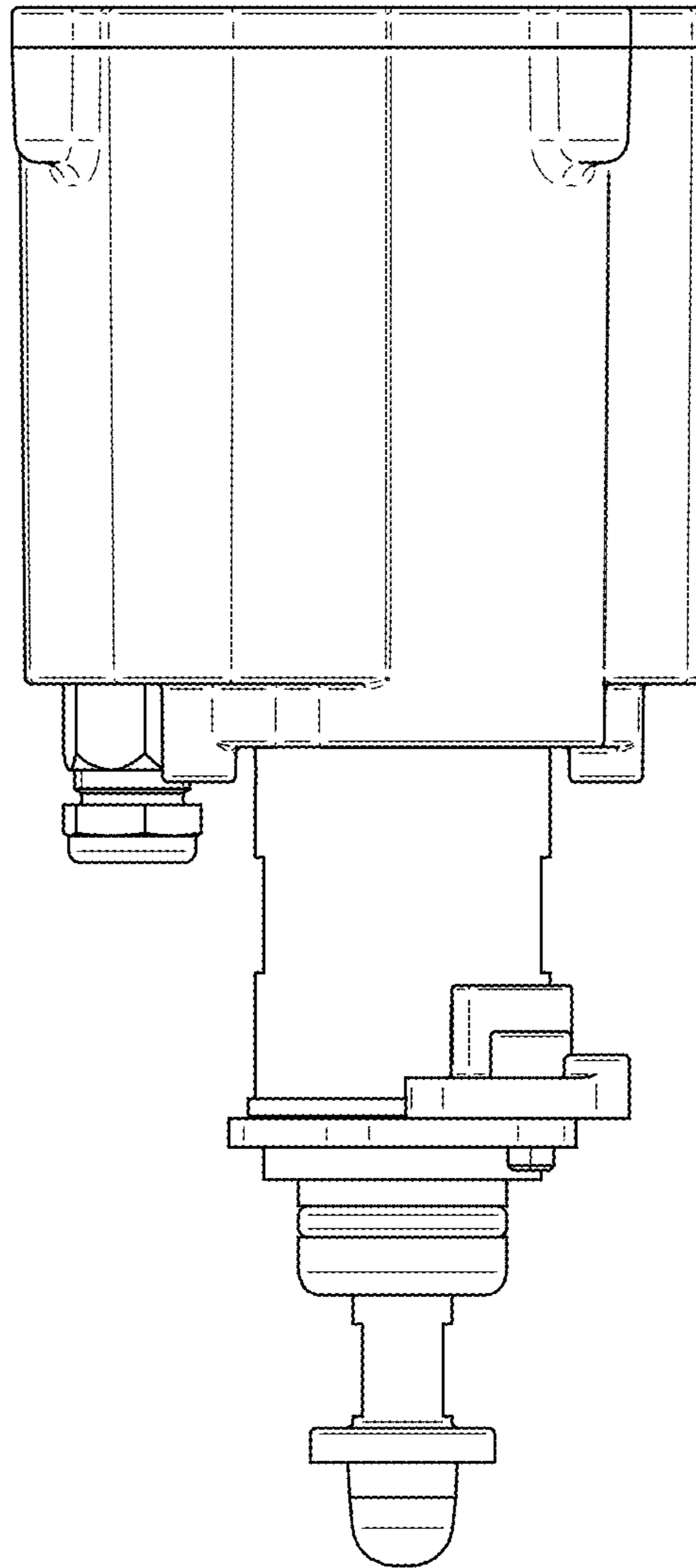


FIG. 9

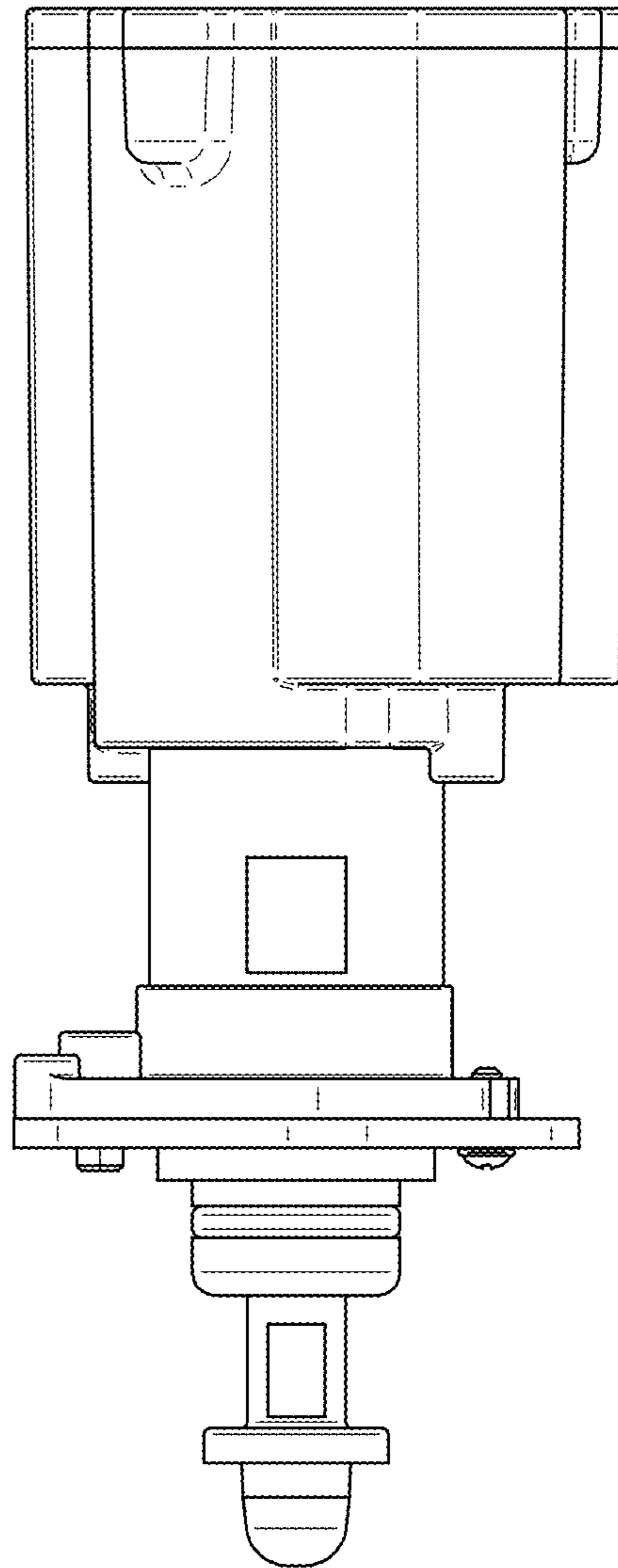


FIG. 10

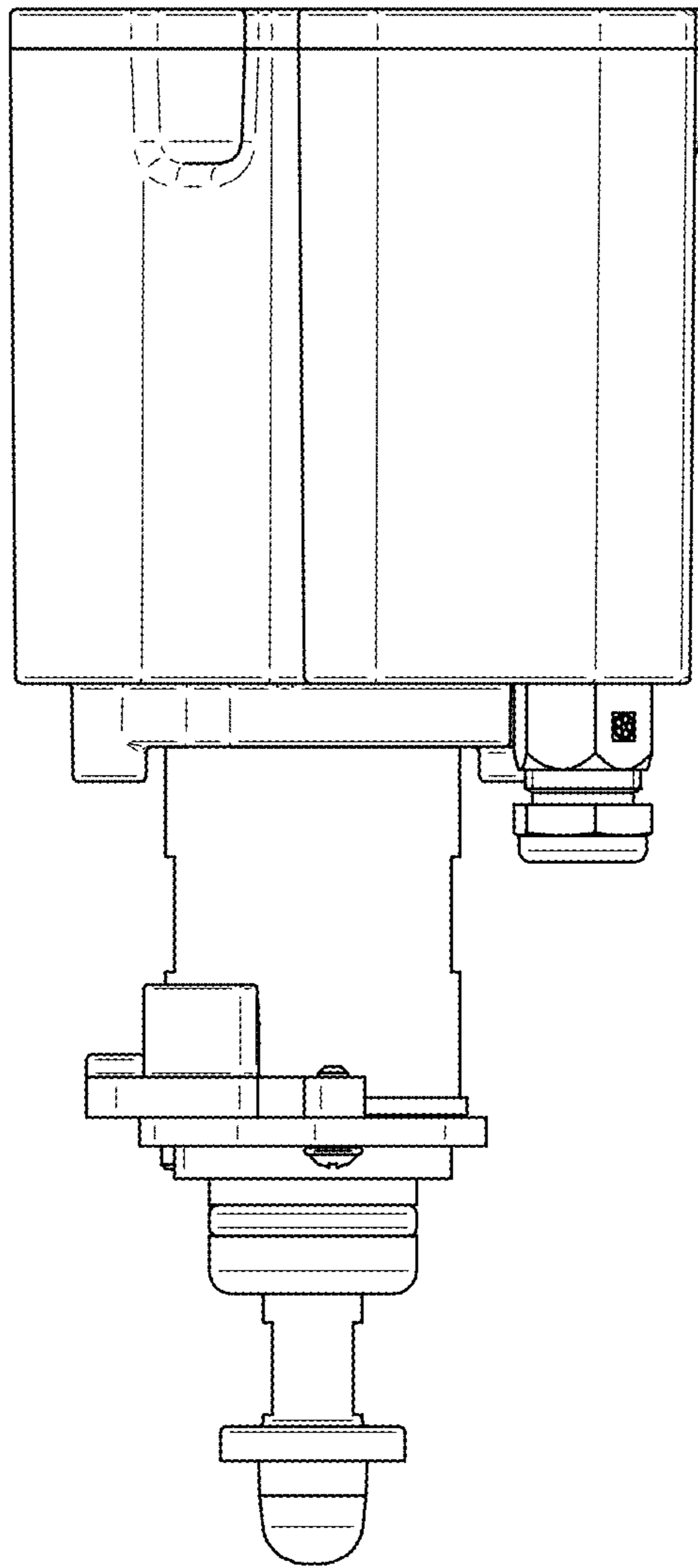


FIG. 11

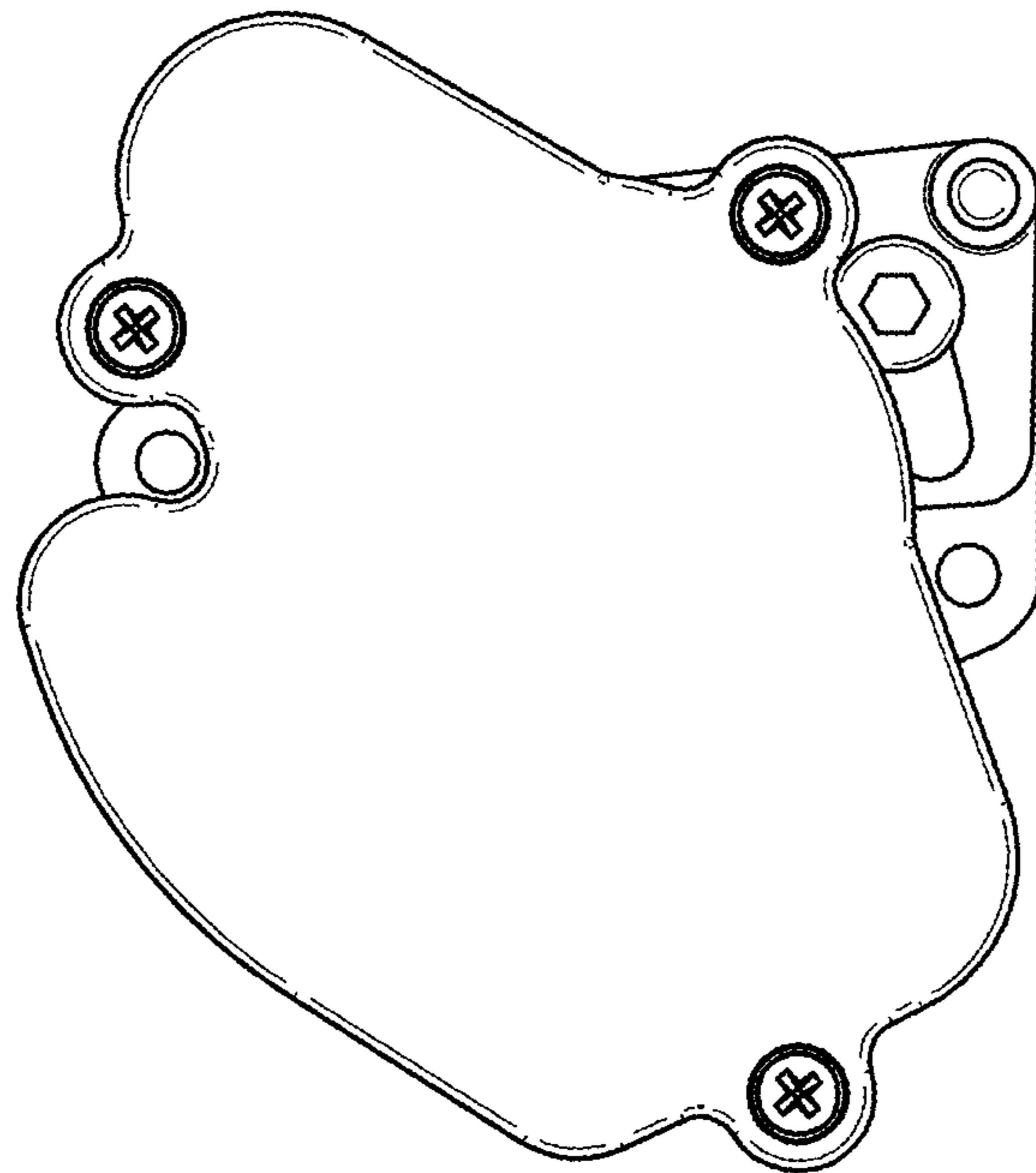


FIG. 12

