



US00D753792S

(12) **United States Design Patent**  
**Blum**

(10) **Patent No.:** **US D753,792 S**  
(45) **Date of Patent:** **\*\* Apr. 12, 2016**

(54) **FAUCET STREAM STRAIGHTENER**

(71) Applicant: **Neoperl GmbH**, Mullheim (DE)

(72) Inventor: **Gerhard Blum**, Gutach (DE)

(73) Assignee: **Neoperl GmbH**, Müllheim (DE)

(\*\*) Term: **15 Years**

(21) Appl. No.: **29/528,349**

(22) Filed: **May 28, 2015**

**Related U.S. Application Data**

(62) Division of application No. 29/465,029, filed on Aug. 23, 2013, now Pat. No. Des. 733,255.

(30) **Foreign Application Priority Data**

Mar. 8, 2013 (WO) ..... 725018001

(51) **LOC (10) Cl.** ..... **23-01**

(52) **U.S. Cl.**  
USPC ..... **D23/213**

(58) **Field of Classification Search**  
USPC ..... D23/213, 249; 239/428.5, 437;  
261/DIG. 22; 366/276, 364-5  
See application file for complete search history.

(56) **References Cited**

**U.S. PATENT DOCUMENTS**

D536,417 S 2/2007 Buttgen  
D537,916 S 3/2007 Buttgen  
D577,416 S 9/2008 Buttgen  
D641,836 S 7/2011 Grether  
D641,839 S 7/2011 Grether

D642,662 S 8/2011 Grether  
D682,987 S 5/2013 Blum  
D684,240 S 6/2013 Stein  
D690,796 S 10/2013 Blum  
D690,797 S 10/2013 Blum  
D697,174 S 1/2014 Blum  
D697,175 S 1/2014 Grether  
D699,816 S 2/2014 Blum  
D700,282 S 2/2014 Blum  
D709,593 S 7/2014 Blum

*Primary Examiner* — Robin V Webster

(74) *Attorney, Agent, or Firm* — Volpe and Koenig, P.C.

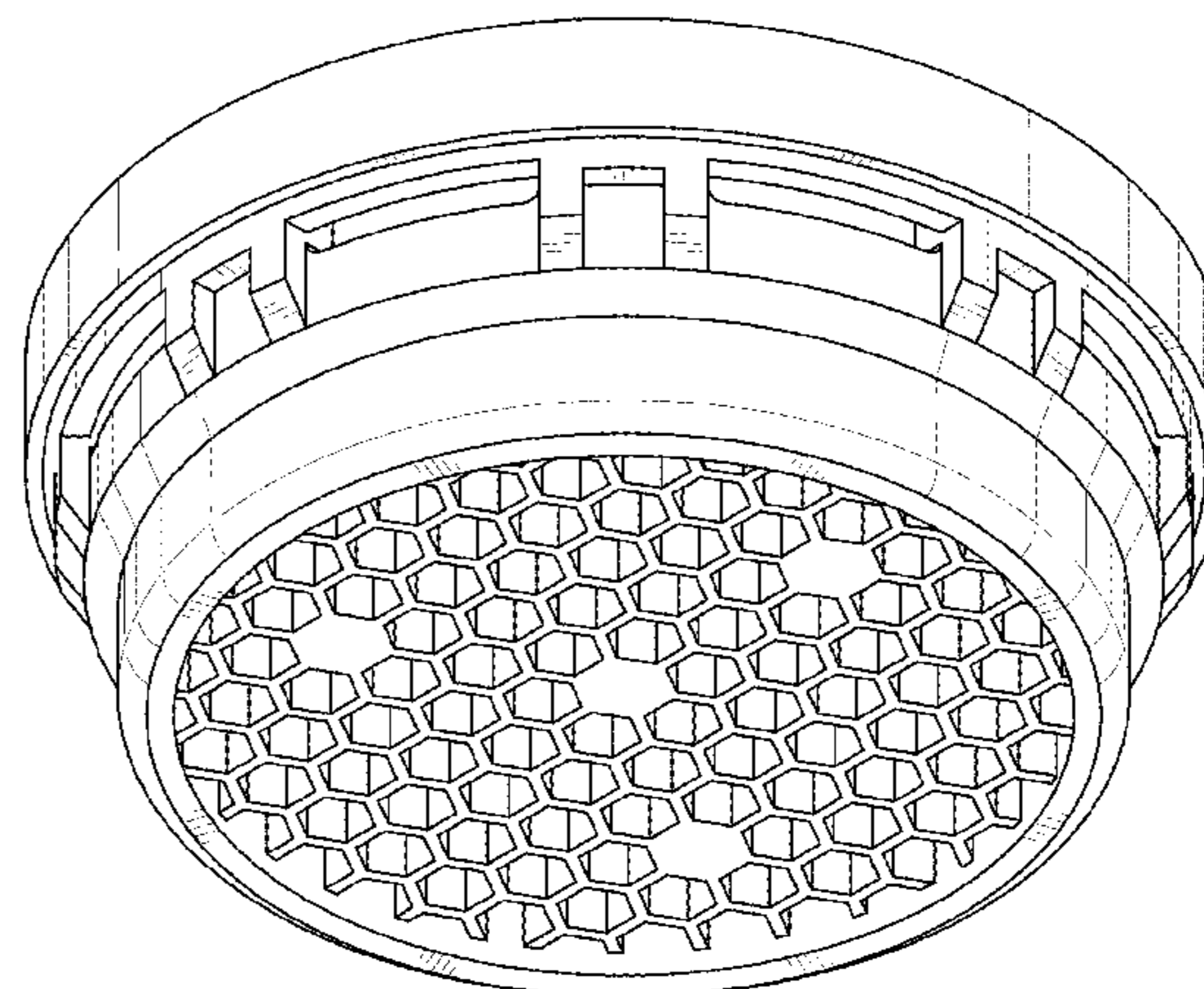
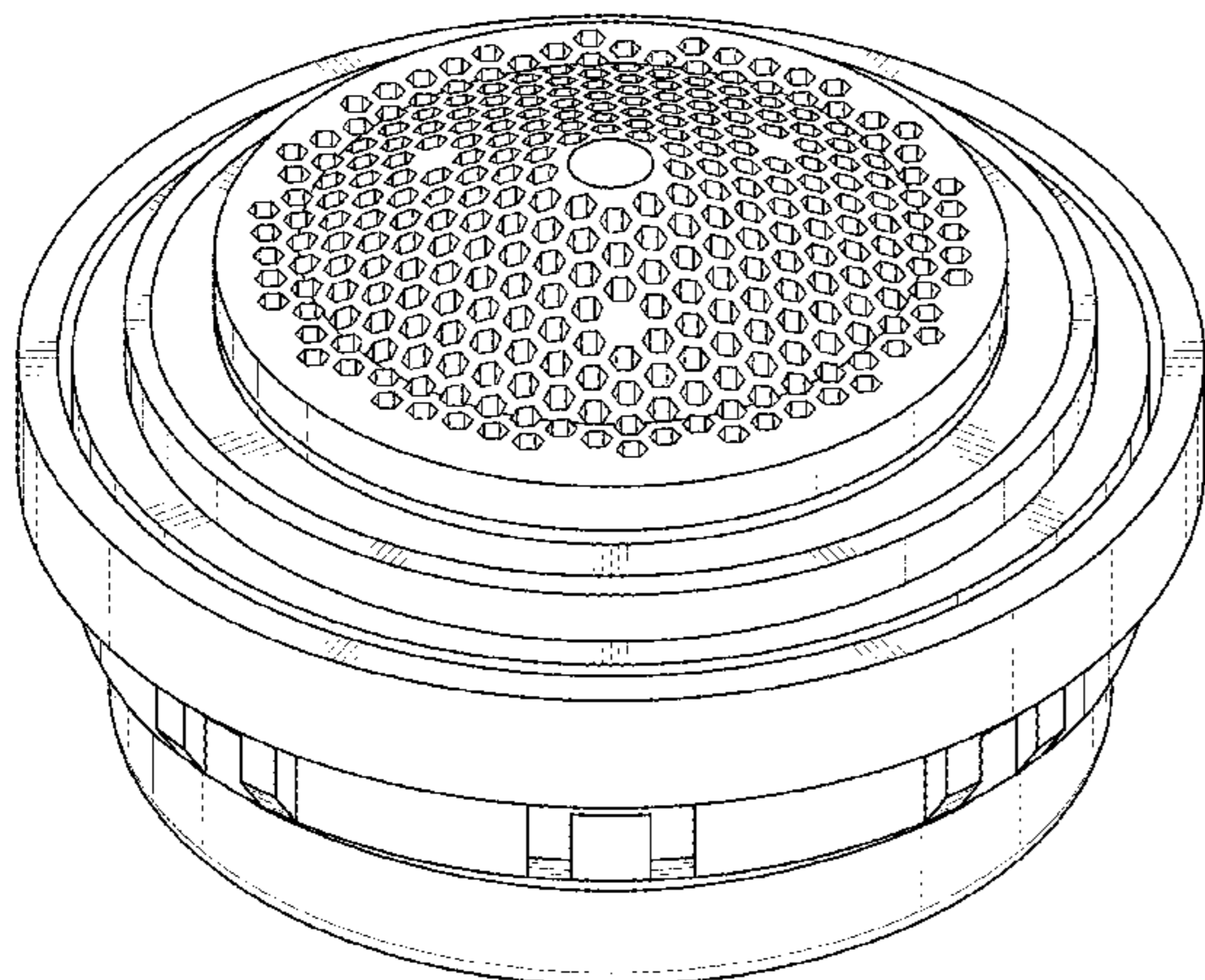
(57) **CLAIM**

The ornamental design of a faucet stream straightener, as shown and described.

**DESCRIPTION**

FIG. 1 is a top plan view of a first embodiment of a faucet stream straightener in accordance with my design;  
FIG. 2 is a top, front perspective view thereof;  
FIG. 3 is a bottom view thereof;  
FIG. 4 is a bottom, rear perspective view thereof; and  
FIG. 5 is a side elevational view thereof;  
FIG. 6 is a top plan view of a second embodiment of a faucet stream straightener in accordance with my design;  
FIG. 7 is a top, front perspective view thereof;  
FIG. 8 is a bottom view thereof;  
FIG. 9 is a bottom, rear perspective view thereof; and  
FIG. 10 is an elevational view thereof;  
FIG. 11 is a top plan view of a third embodiment of a faucet stream straightener in accordance with my design;  
FIG. 12 is a top, front perspective view thereof;  
FIG. 13 is a bottom view thereof;  
FIG. 14 is a bottom, rear perspective view thereof; and  
FIG. 15 is an elevational view thereof.

**1 Claim, 15 Drawing Sheets**



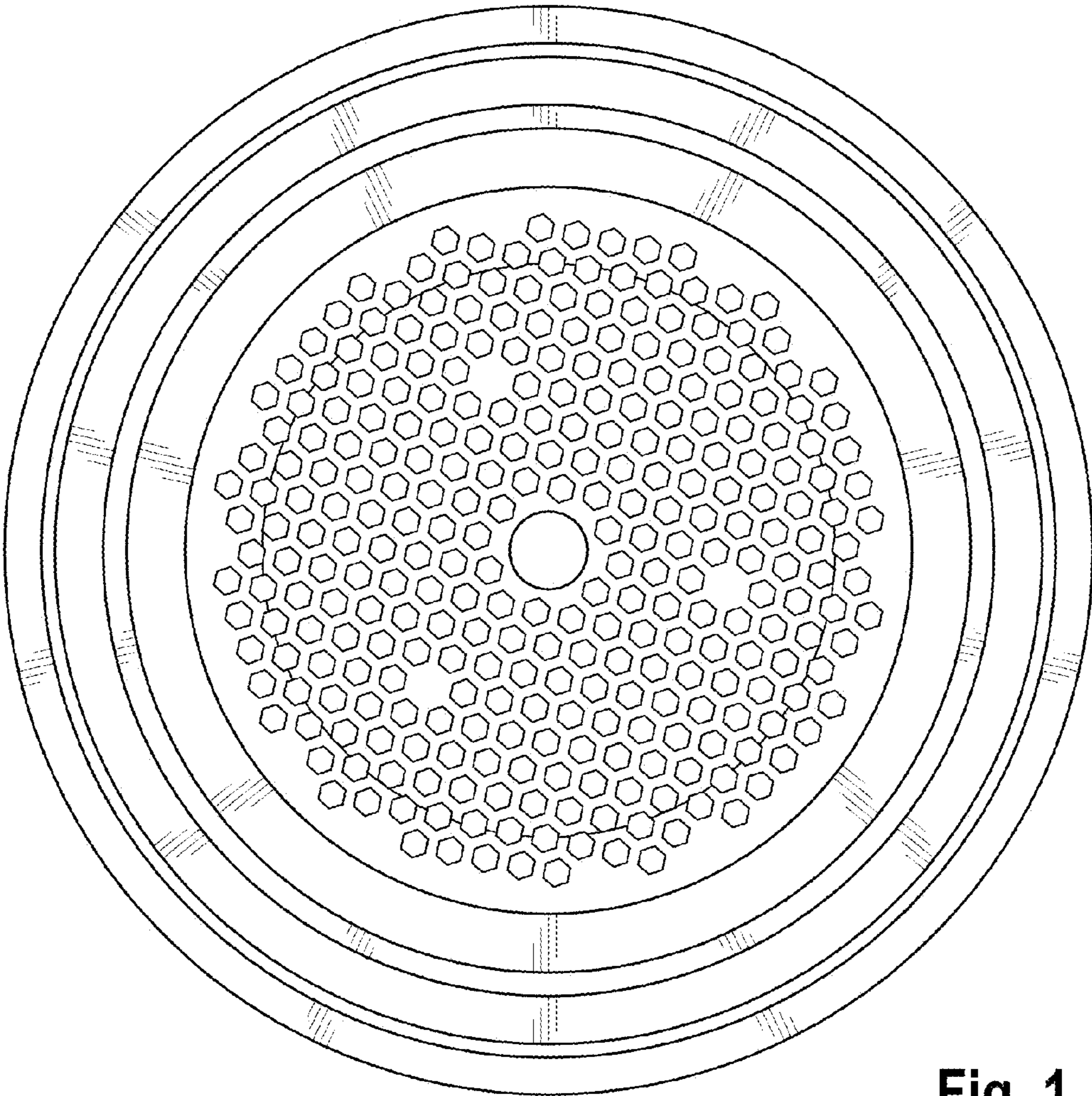


Fig. 1

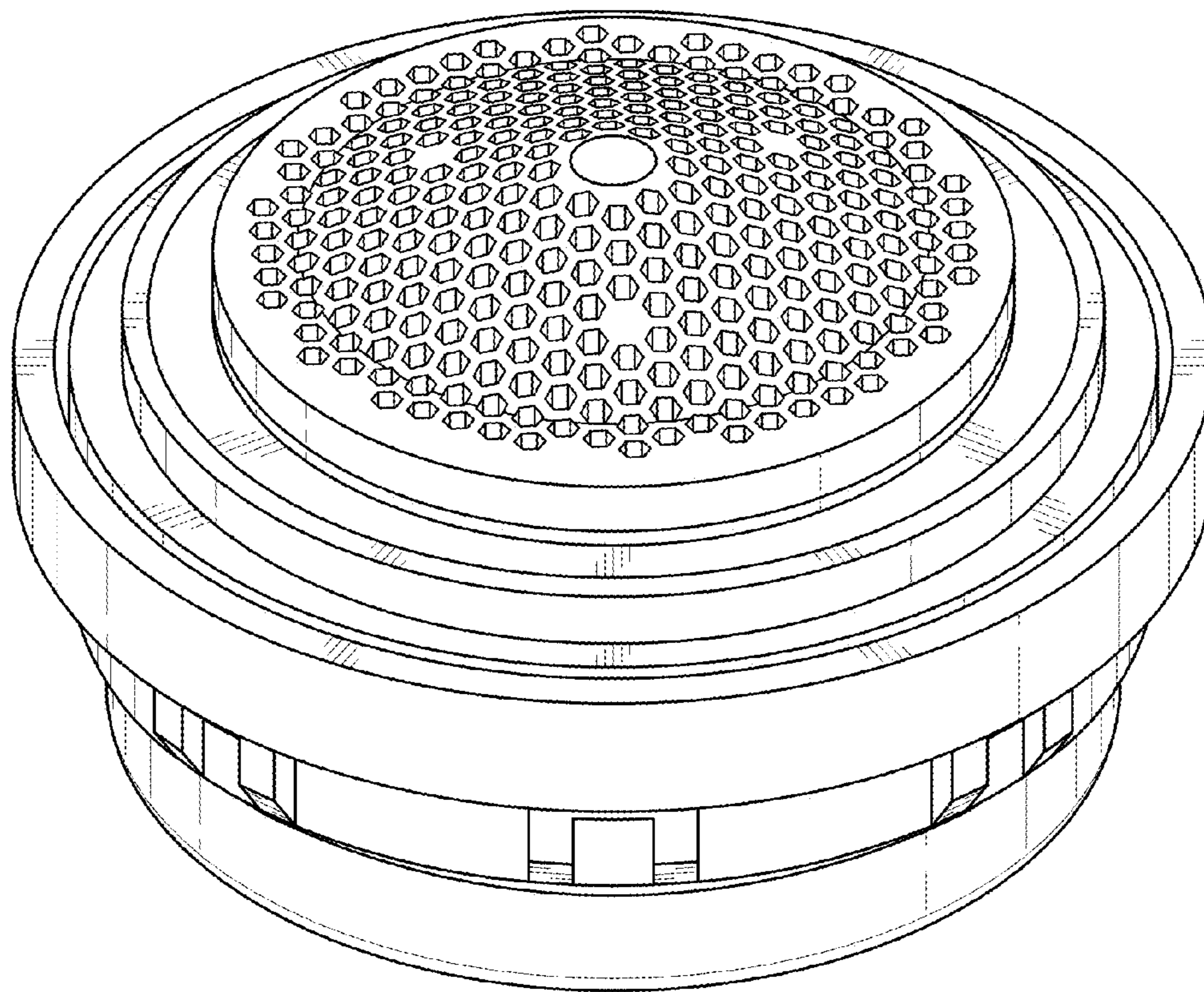


Fig. 2

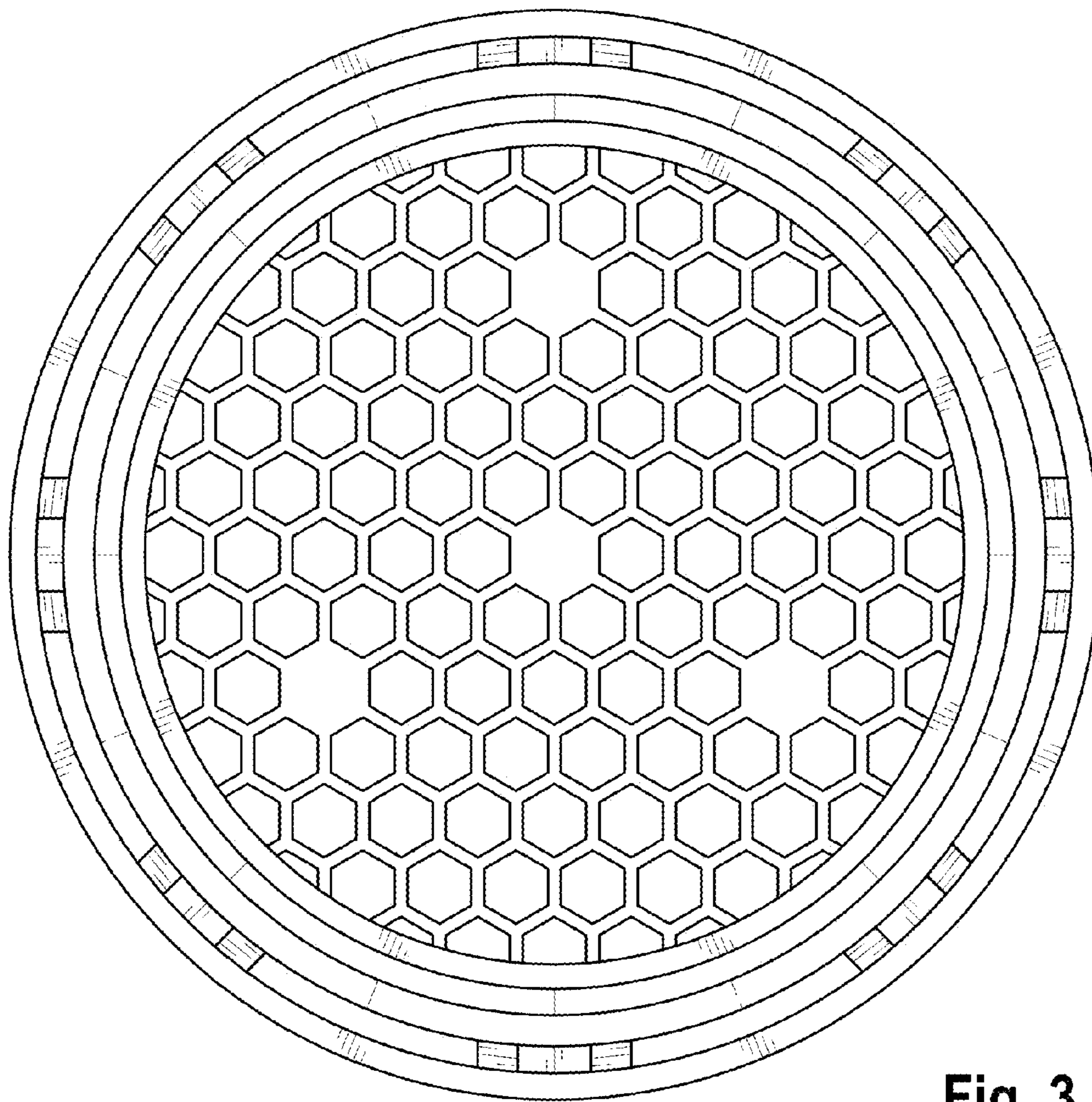


Fig. 3

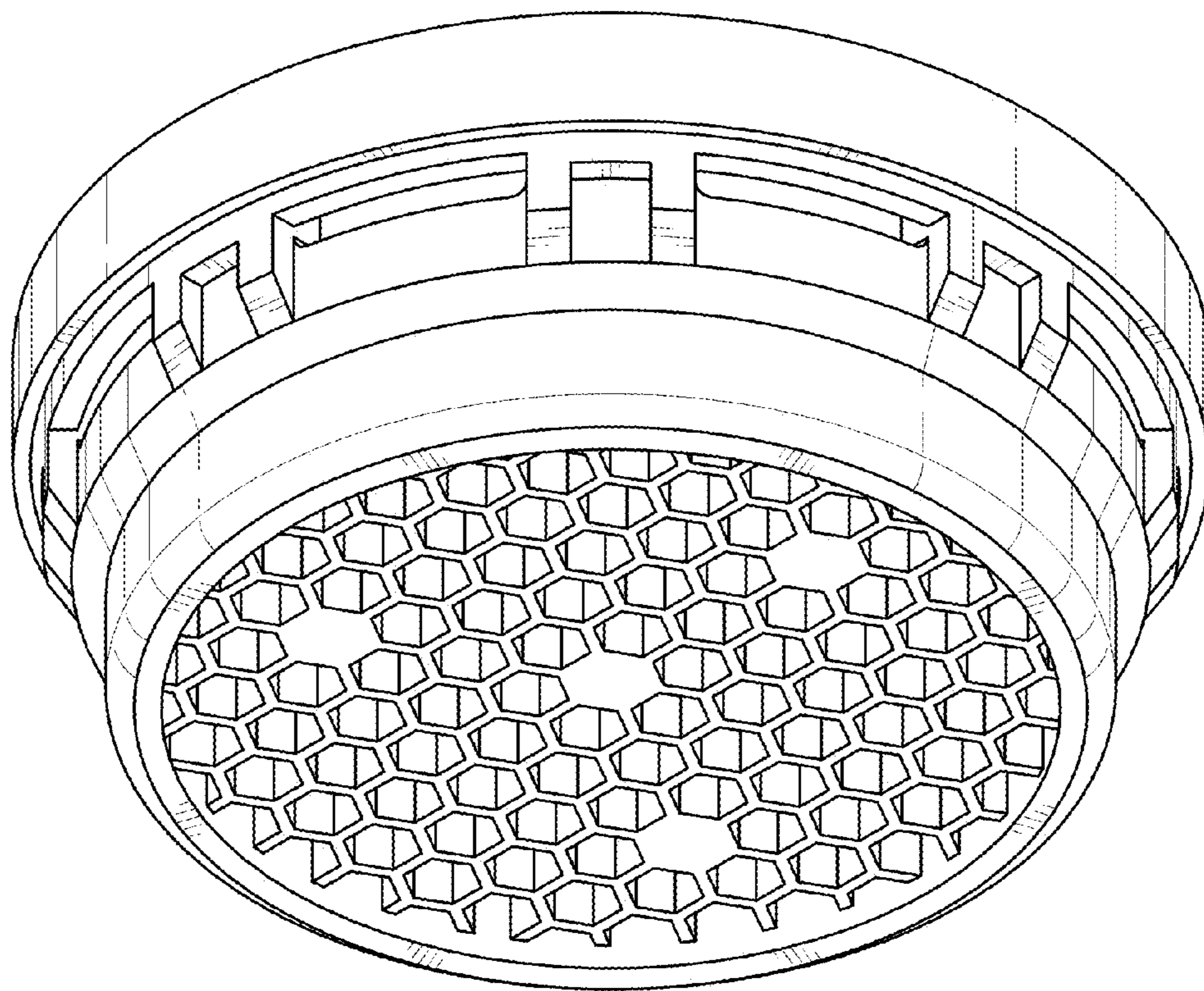


Fig. 4

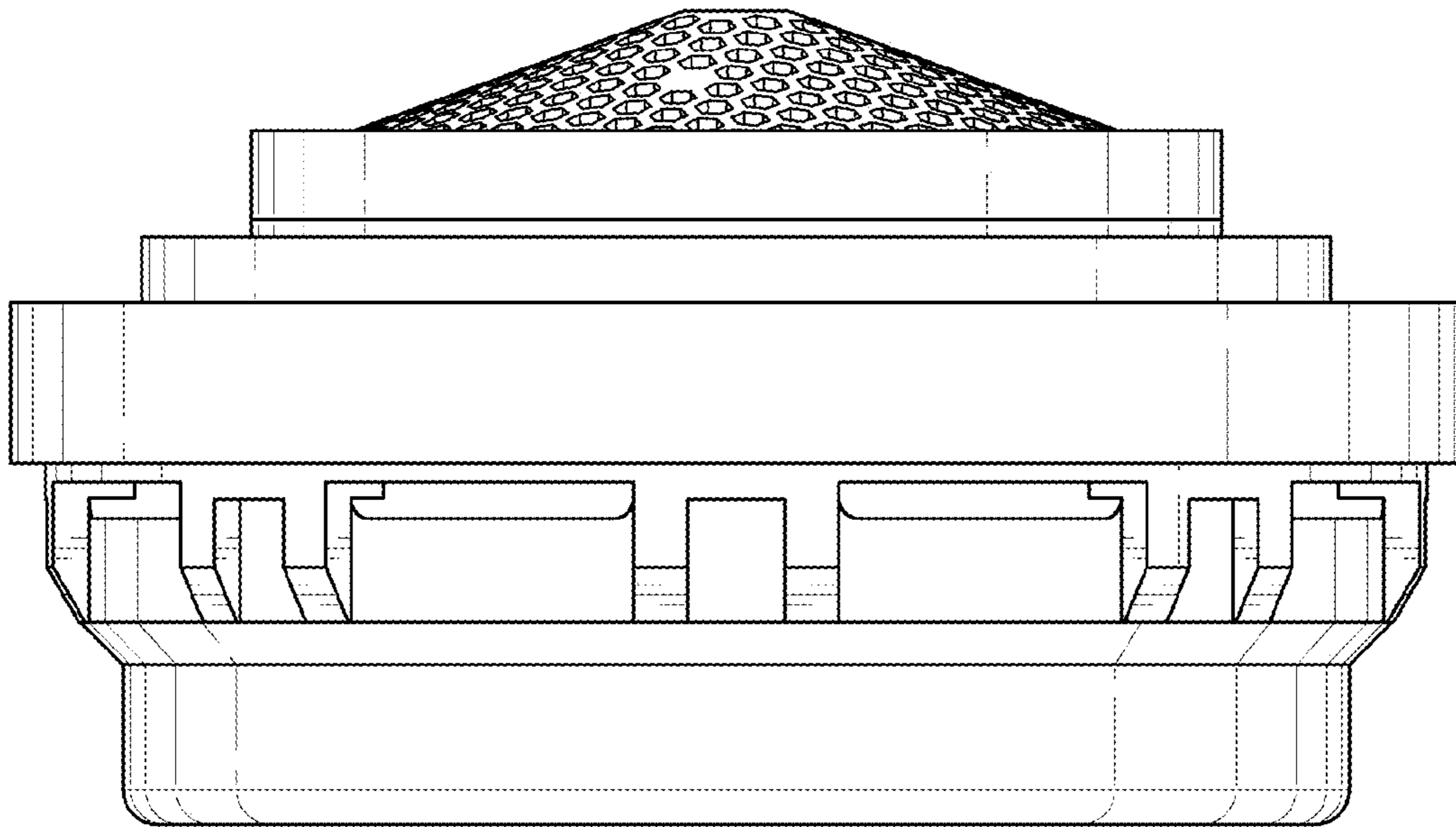


Fig. 5

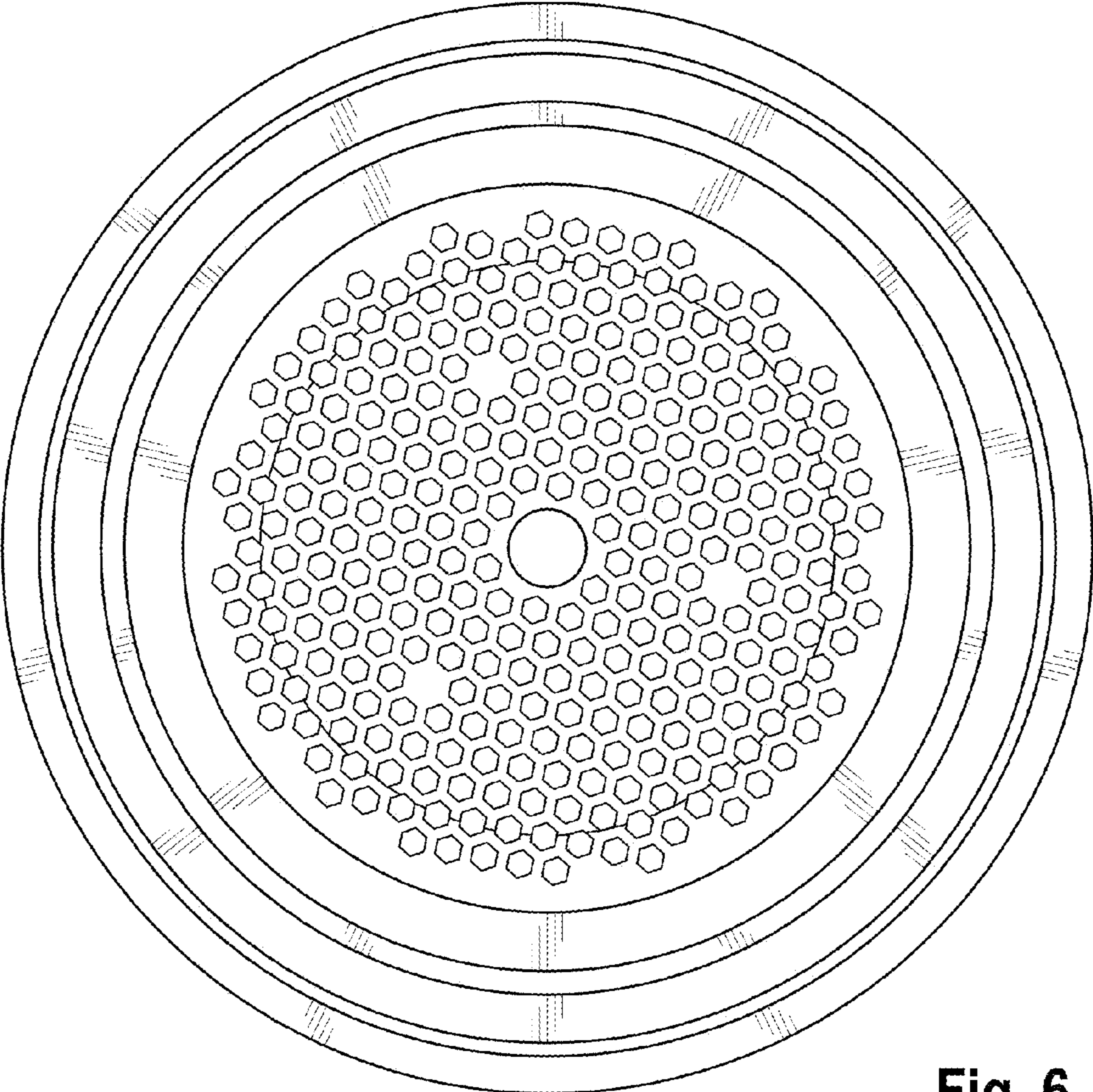


Fig. 6

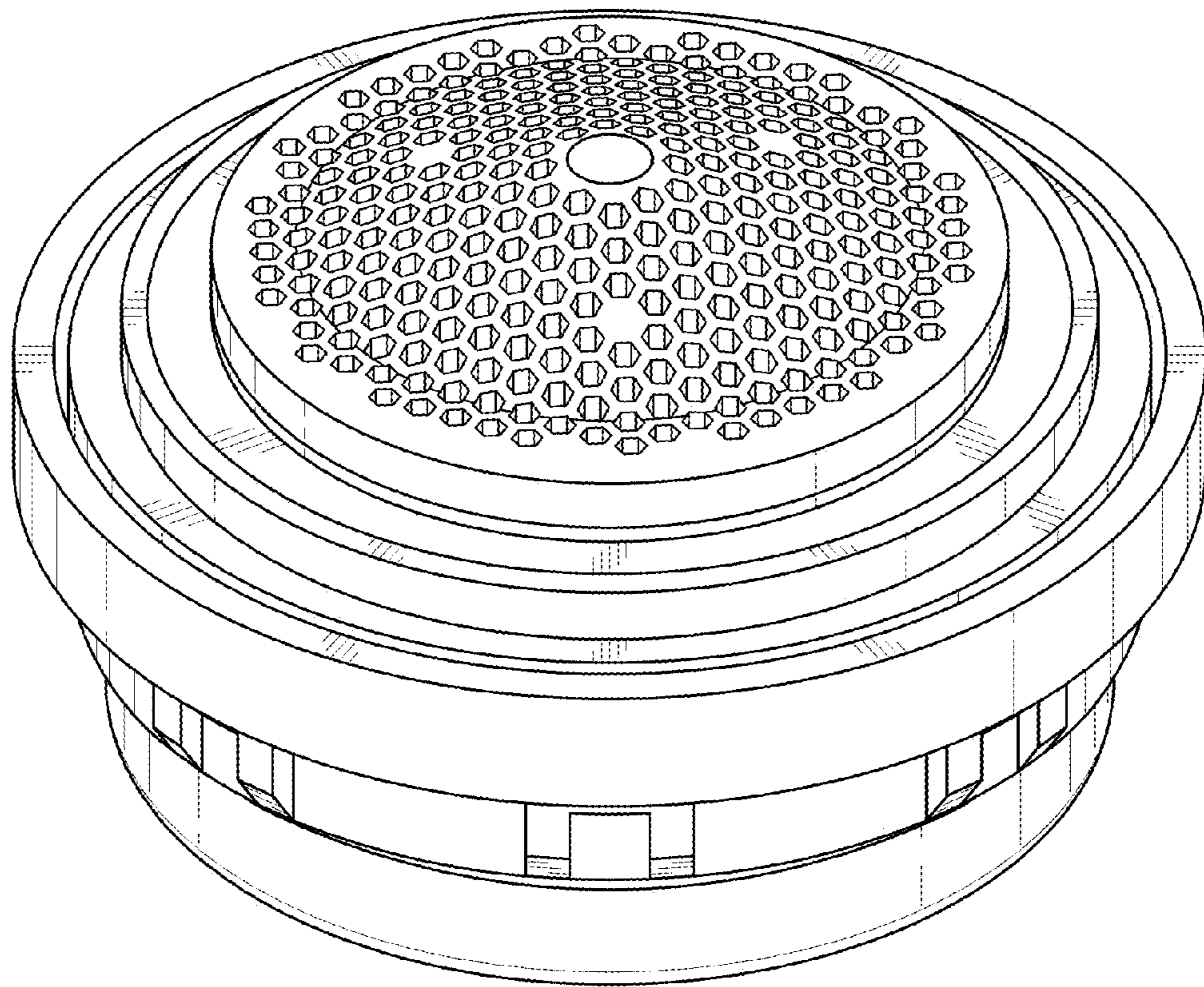


Fig. 7



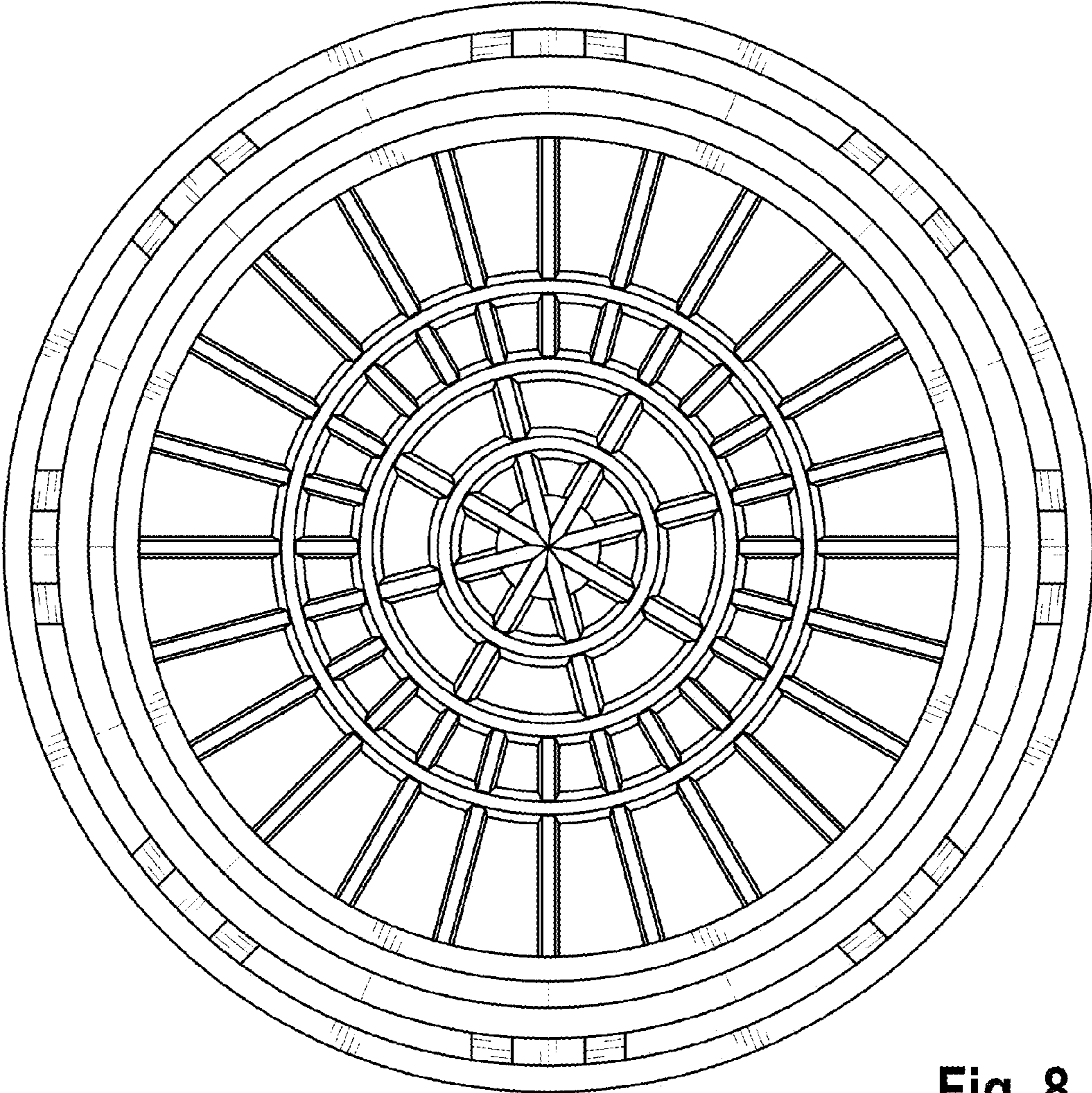


Fig. 8

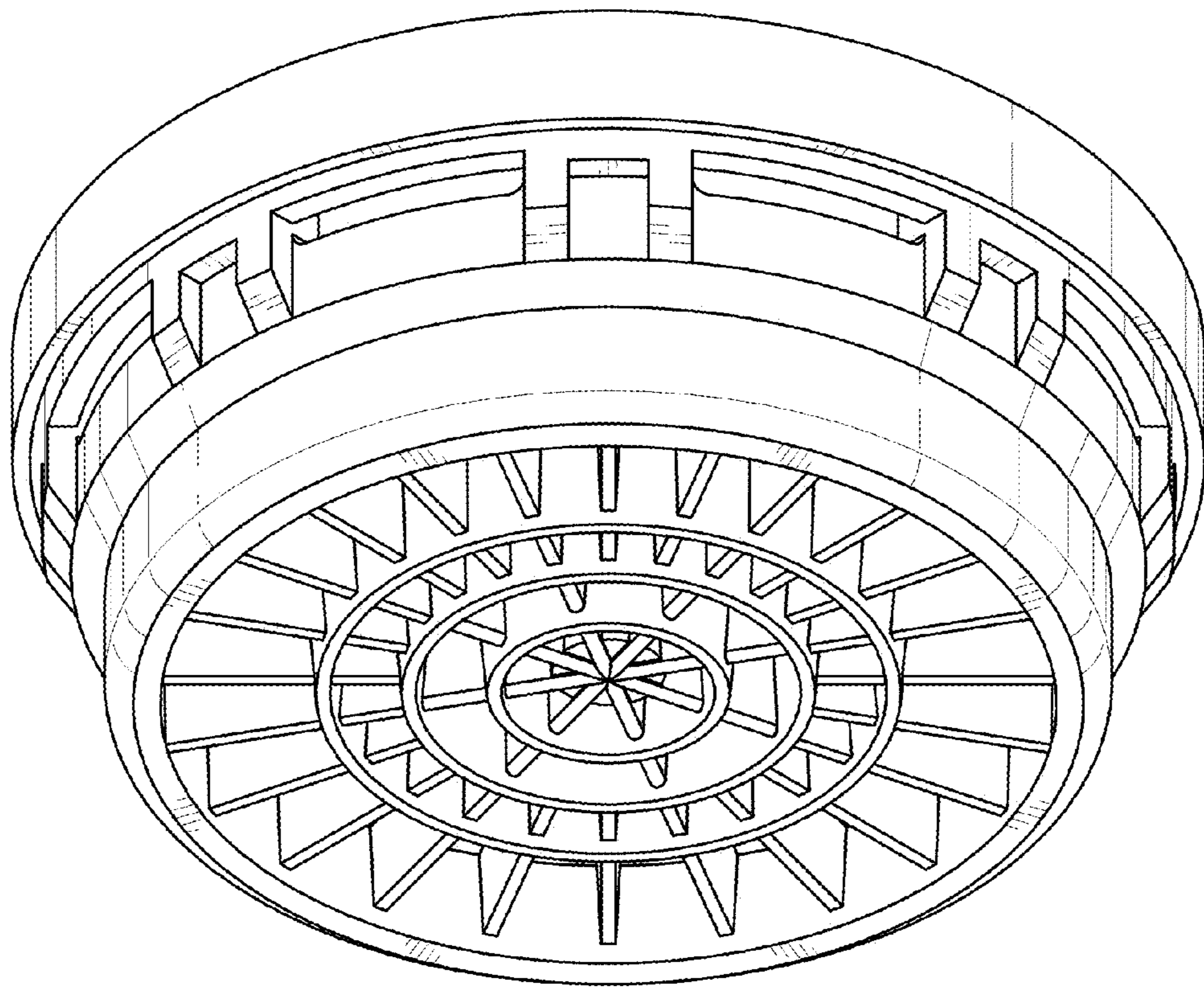


Fig. 9

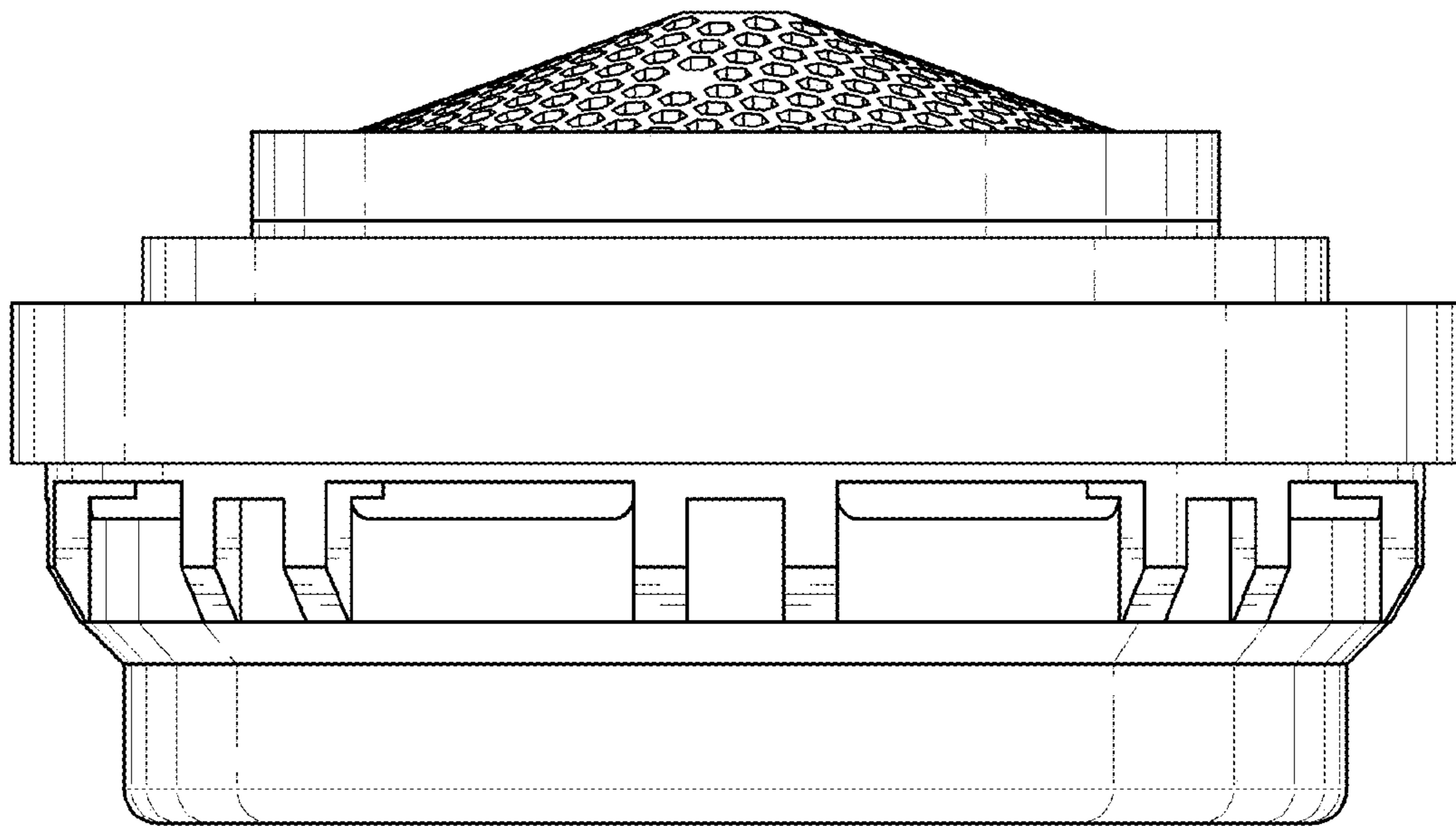


Fig. 10

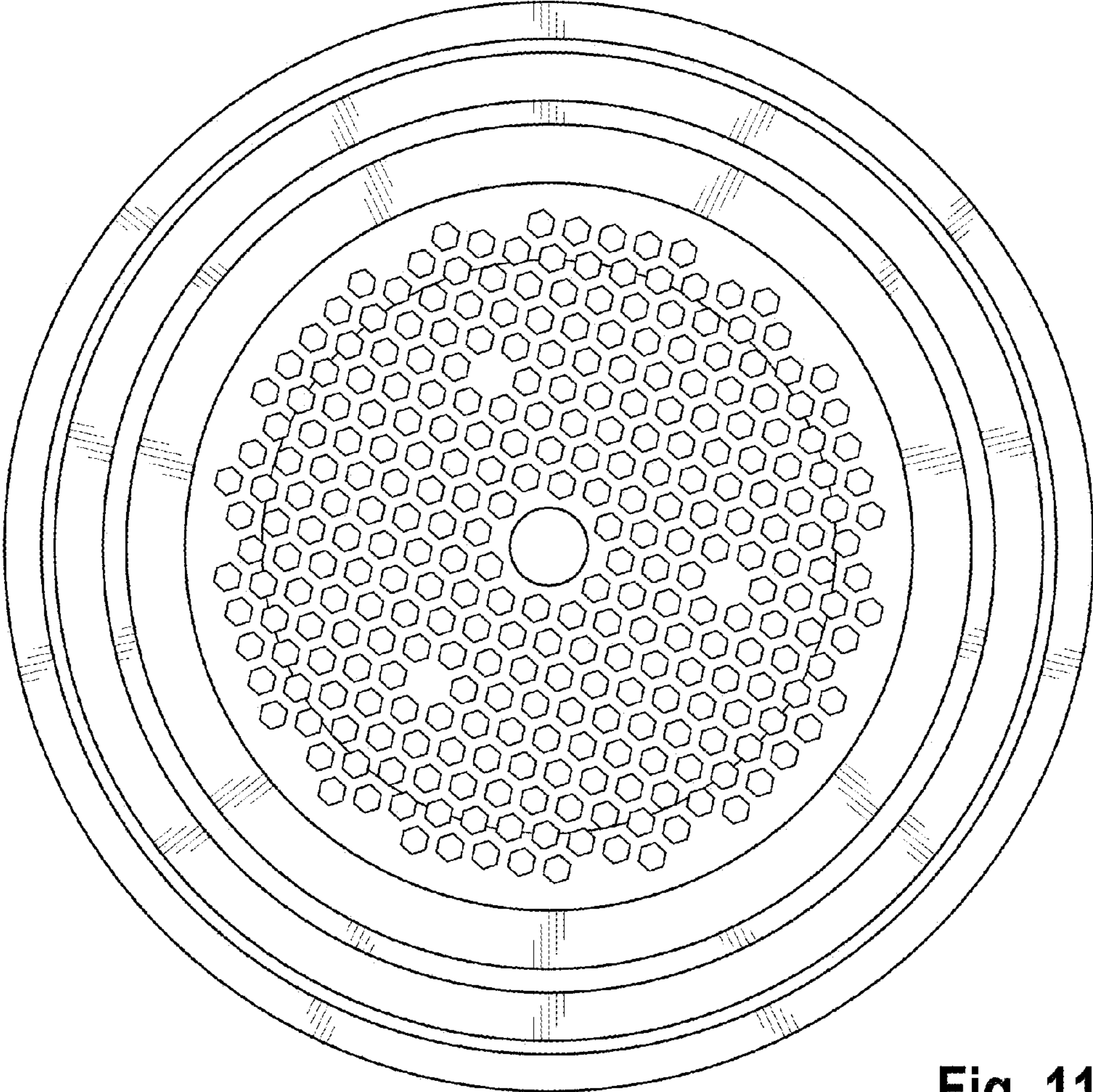


Fig. 11

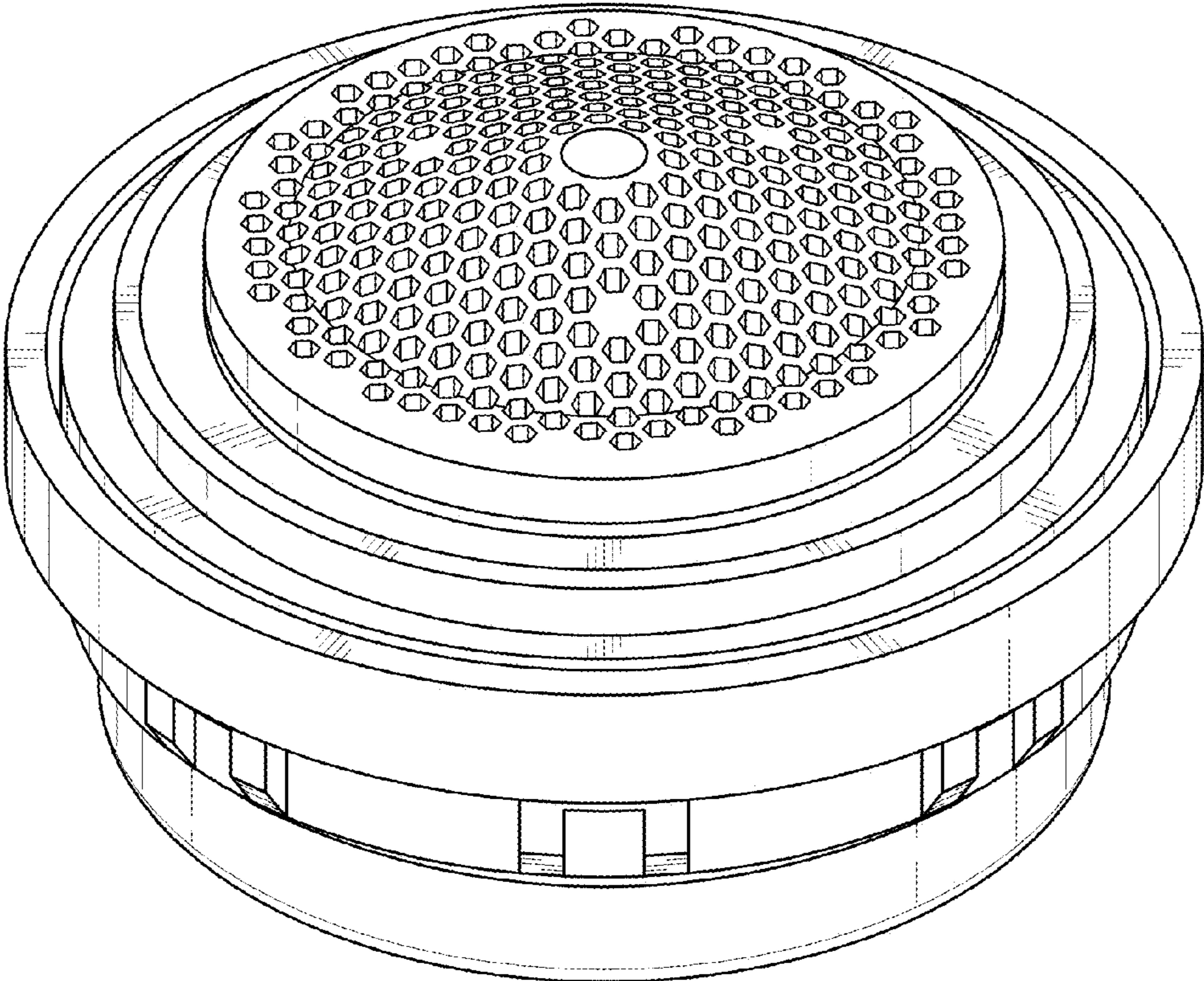


Fig. 12

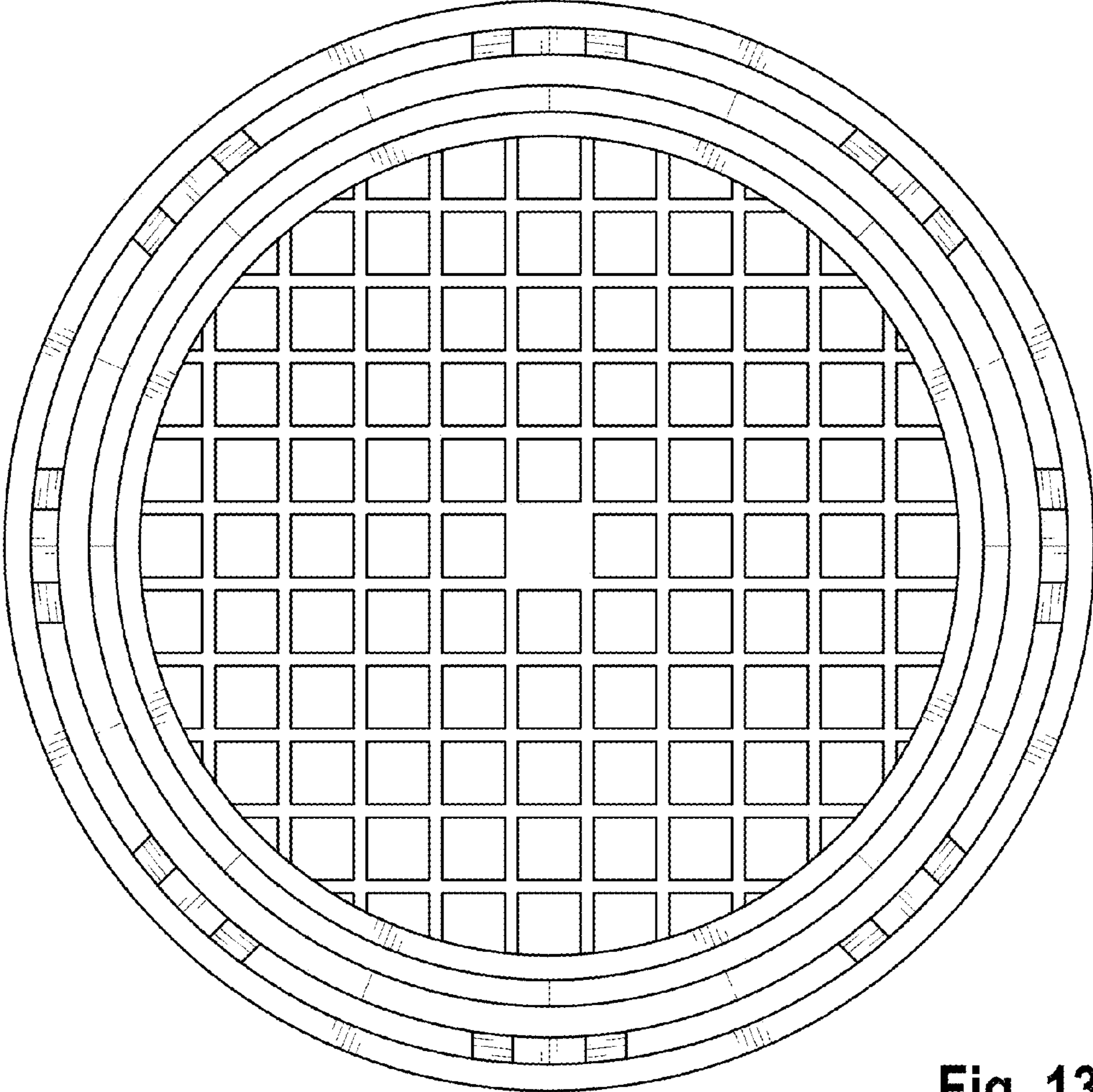


Fig. 13

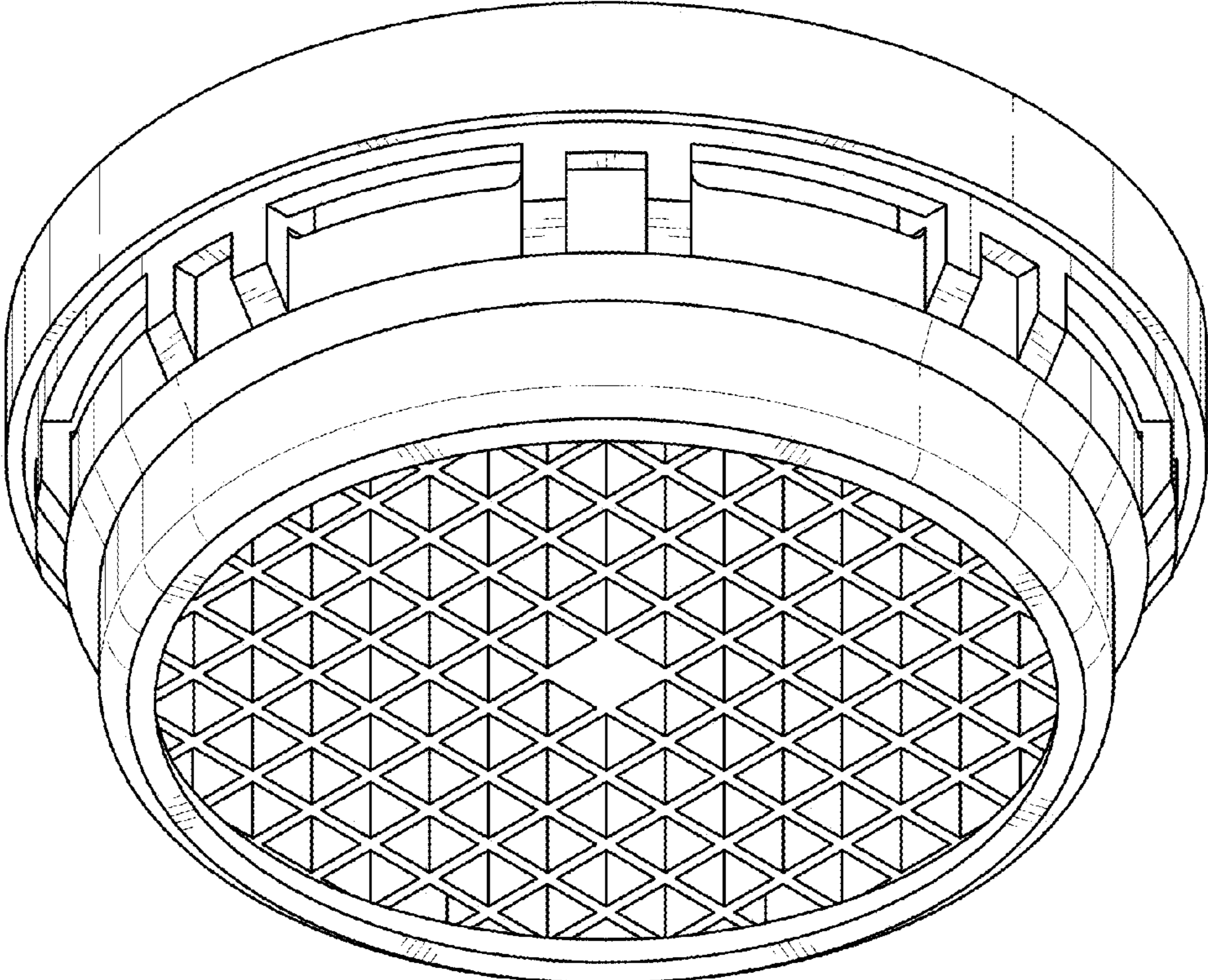


Fig. 14

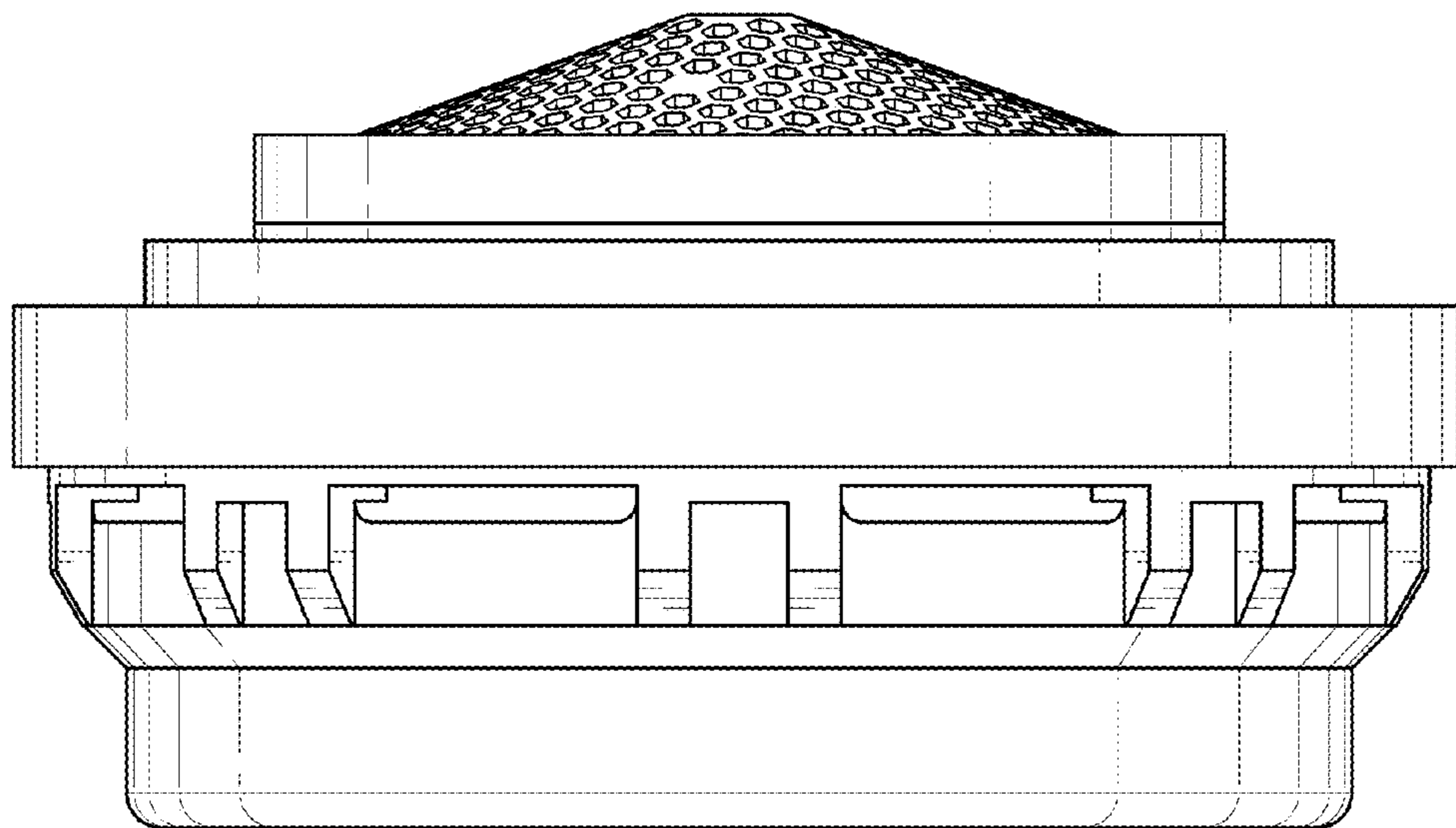


Fig. 15