



US00D753790S

(12) **United States Design Patent**
Torgerud

(10) **Patent No.:** **US D753,790 S**
(45) **Date of Patent:** **** Apr. 12, 2016**

- (54) **FILTER ELEMENT**
- (71) Applicant: **Brunswick Corporation**, Lake Forest, IL (US)
- (72) Inventor: **Michael A. Torgerud**, Mt. Calvary, WI (US)
- (73) Assignee: **Brunswick Corporation**, Lake Forest, IL (US)
- (**) Term: **14 Years**
- (21) Appl. No.: **29/511,877**
- (22) Filed: **Dec. 15, 2014**
- (51) **LOC (10) Cl.** **23-01**
- (52) **U.S. Cl.**
USPC **D23/209**
- (58) **Field of Classification Search**
USPC D23/207, 209; 210/232, 282, 238
CPC B01D 35/30; C02F 1/003
See application file for complete search history.

6,325,929	B1 *	12/2001	Bassett	B01D 61/18 210/238
6,527,603	B1	3/2003	Wickman et al.	
6,718,953	B1	4/2004	Torgerud	
D496,986	S *	10/2004	King	D23/209
D547,820	S *	7/2007	Fraser	D23/207
D570,951	S *	6/2008	Morita	D23/209
7,395,814	B1	7/2008	Doepke et al.	
D594,088	S *	6/2009	Pritchard	D23/207
D609,775	S *	2/2010	Zukor	D23/209
7,832,380	B1	11/2010	Abou Zeid et al.	
D696,745	S *	12/2013	Hammerback	D23/209
D716,909	S *	11/2014	Hammarback	D23/209
D717,396	S *	11/2014	Hammarback	D23/209
D717,397	S *	11/2014	Hammarback	D23/209
D717,912	S *	11/2014	Huda	D23/209

* cited by examiner

Primary Examiner — Robin V Webster

(74) *Attorney, Agent, or Firm* — Andrus Intellectual Property Law, LLP

(57) **CLAIM**

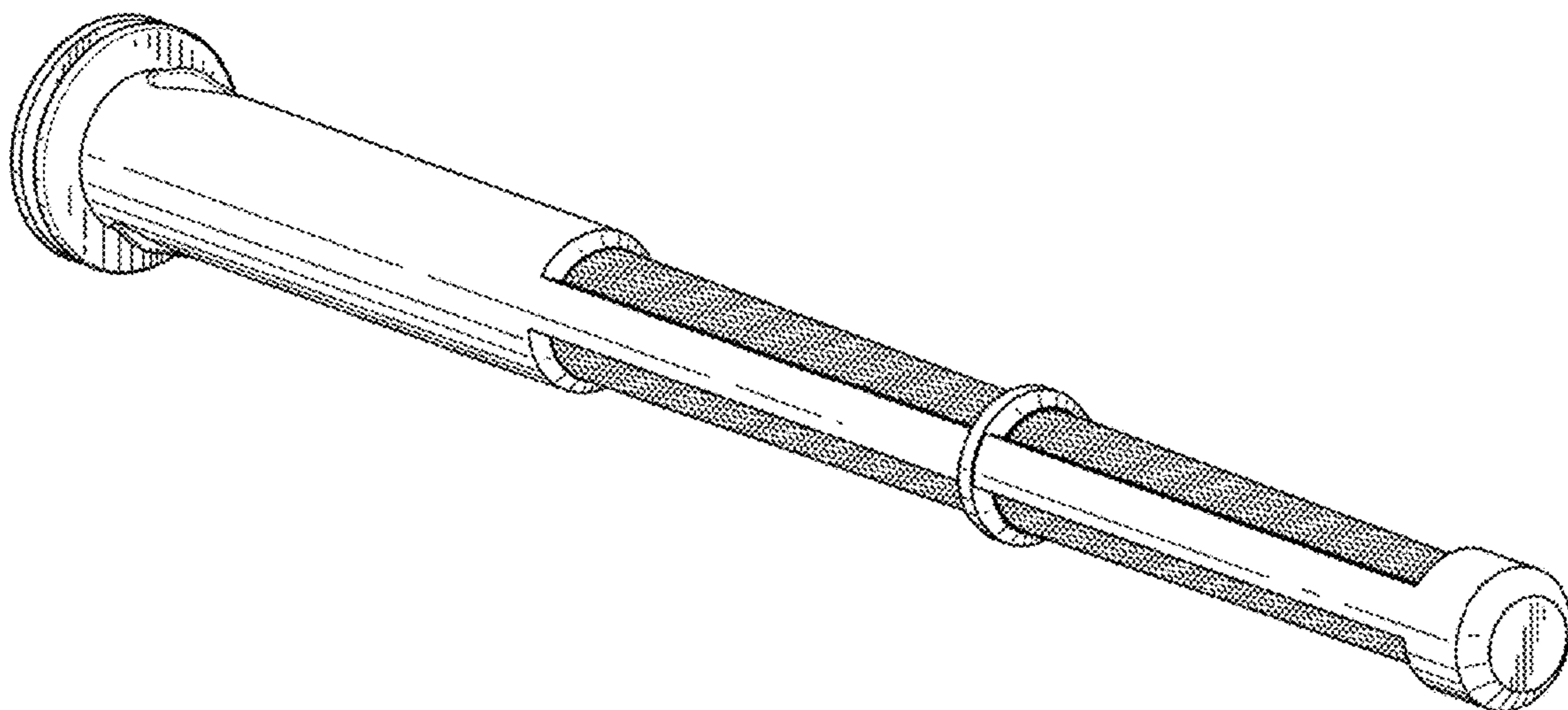
The ornamental design for a filter element, as shown and described.

DESCRIPTION

- FIG. 1 is a perspective view of a filter element.
- FIG. 2 is another perspective view of the filter element.
- FIG. 3 is a side view of the filter element.
- FIG. 4 is an opposite side view of the filter element.
- FIG. 5 is a top view of the filter element.
- FIG. 6 is a bottom view of the filter element.
- FIG. 7 is an end view of the filter element; and,
- FIG. 8 is an opposite end view of the filter element.

1 Claim, 4 Drawing Sheets

- (56) **References Cited**
U.S. PATENT DOCUMENTS
- D254,145 S * 2/1980 Wilcock D23/209
- 5,408,971 A 4/1995 Jaeger et al.
- D404,797 S * 1/1999 Jameson D23/209
- D410,274 S * 5/1999 Bradshaw D23/209
- 5,997,734 A * 12/1999 Koski B01D 35/143
210/100
- 6,161,527 A 12/2000 Ruman
- D441,421 S * 5/2001 Aldred D23/209



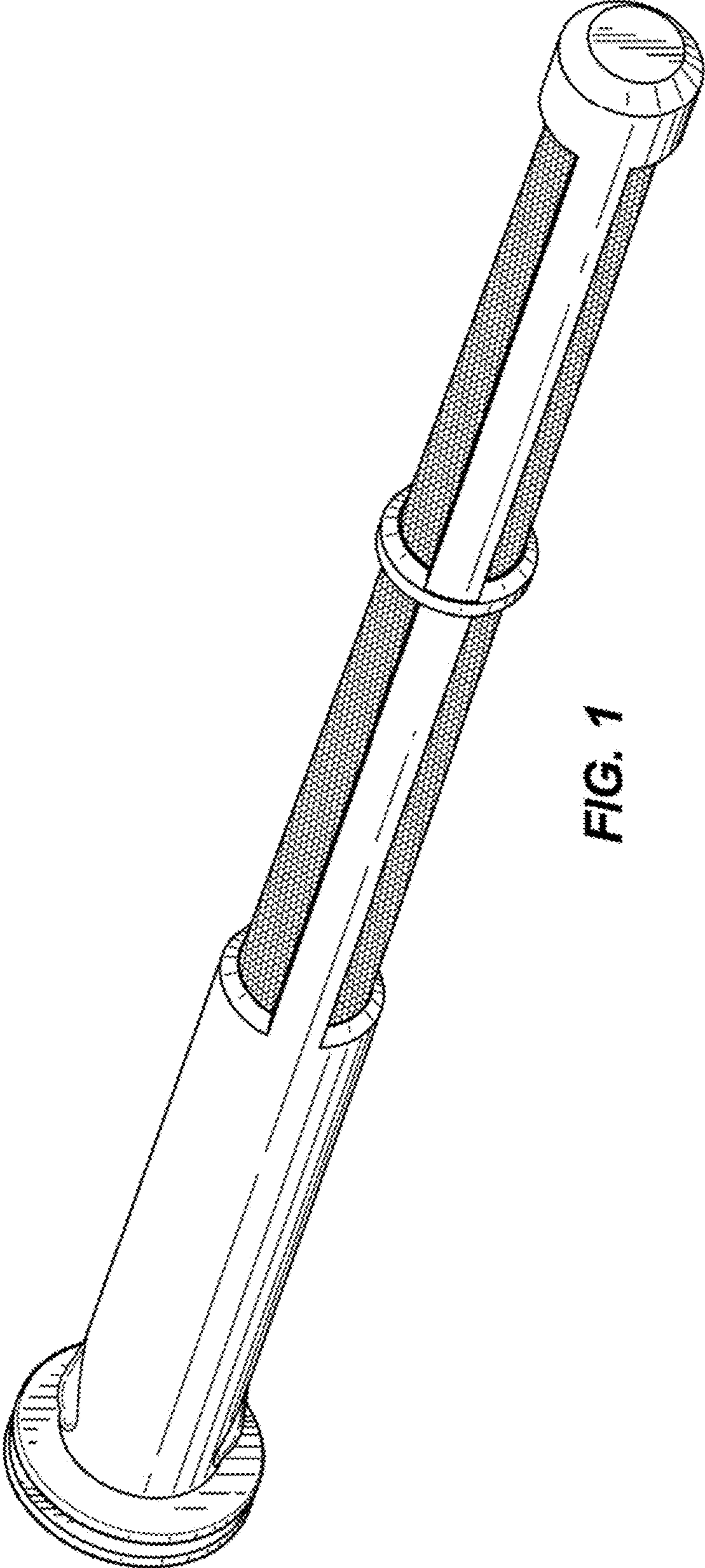


FIG. 1

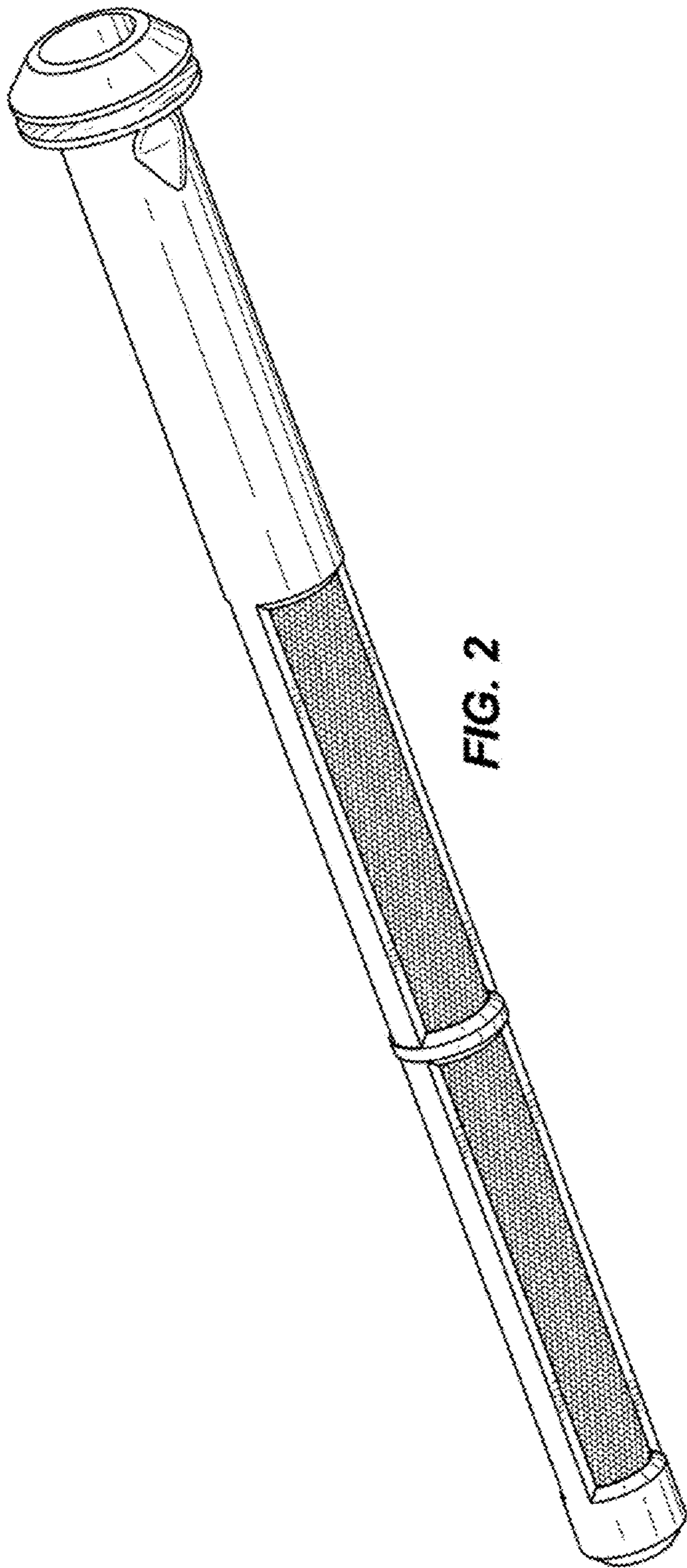


FIG. 2

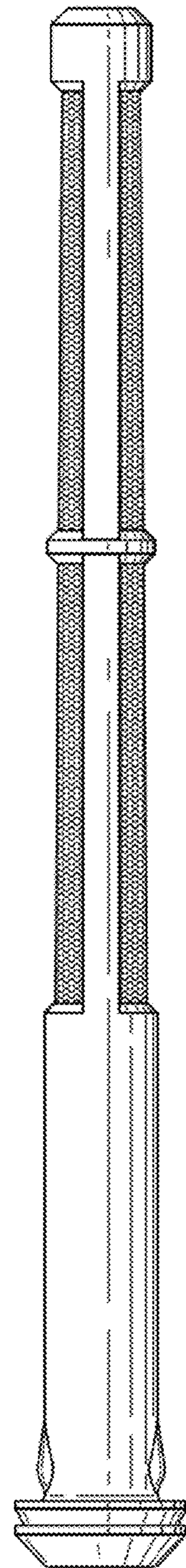


FIG. 3

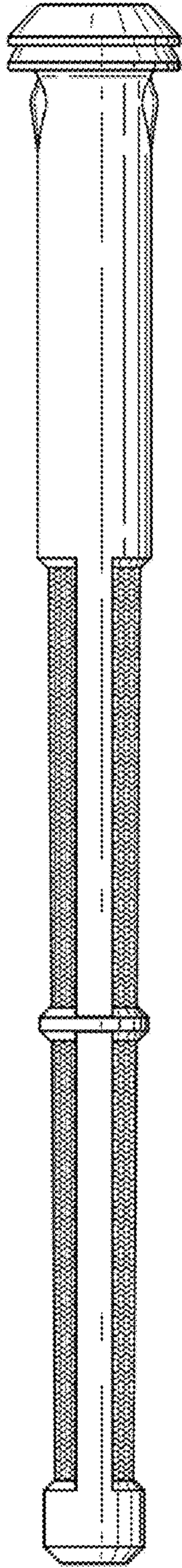


FIG. 4

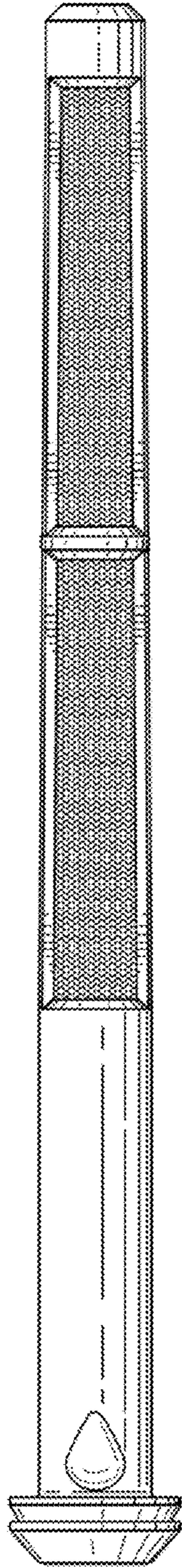


FIG. 5

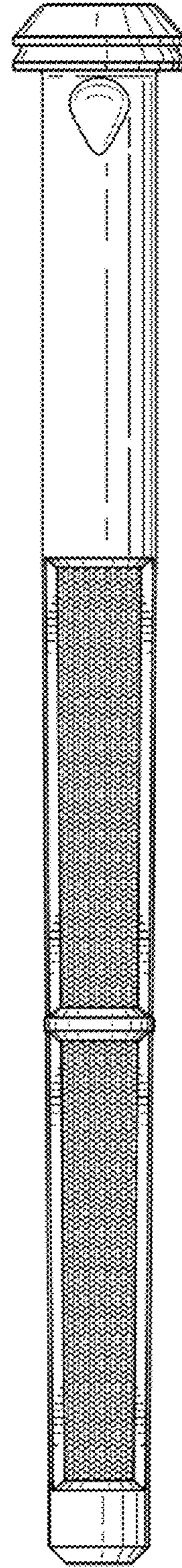


FIG. 6

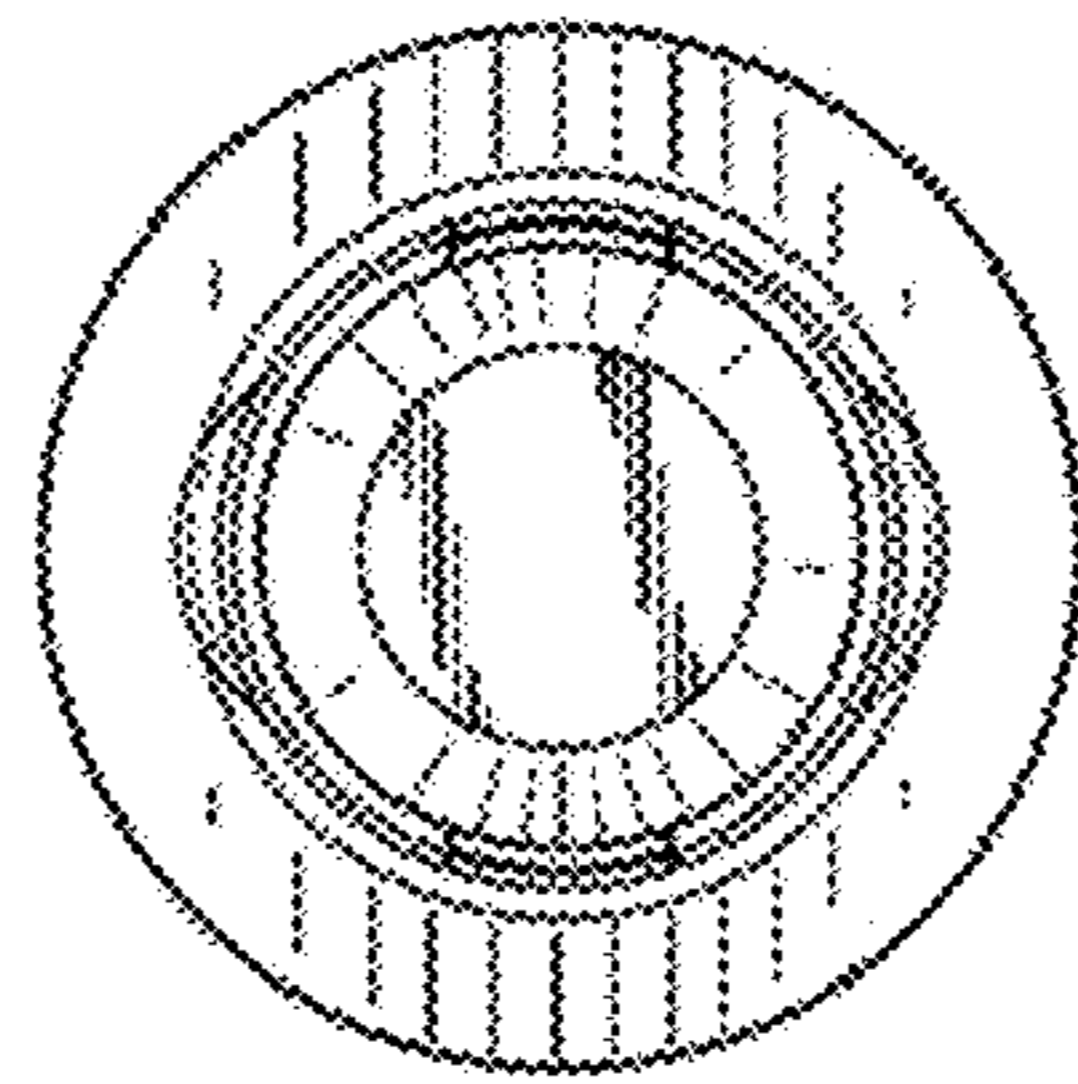


FIG. 7

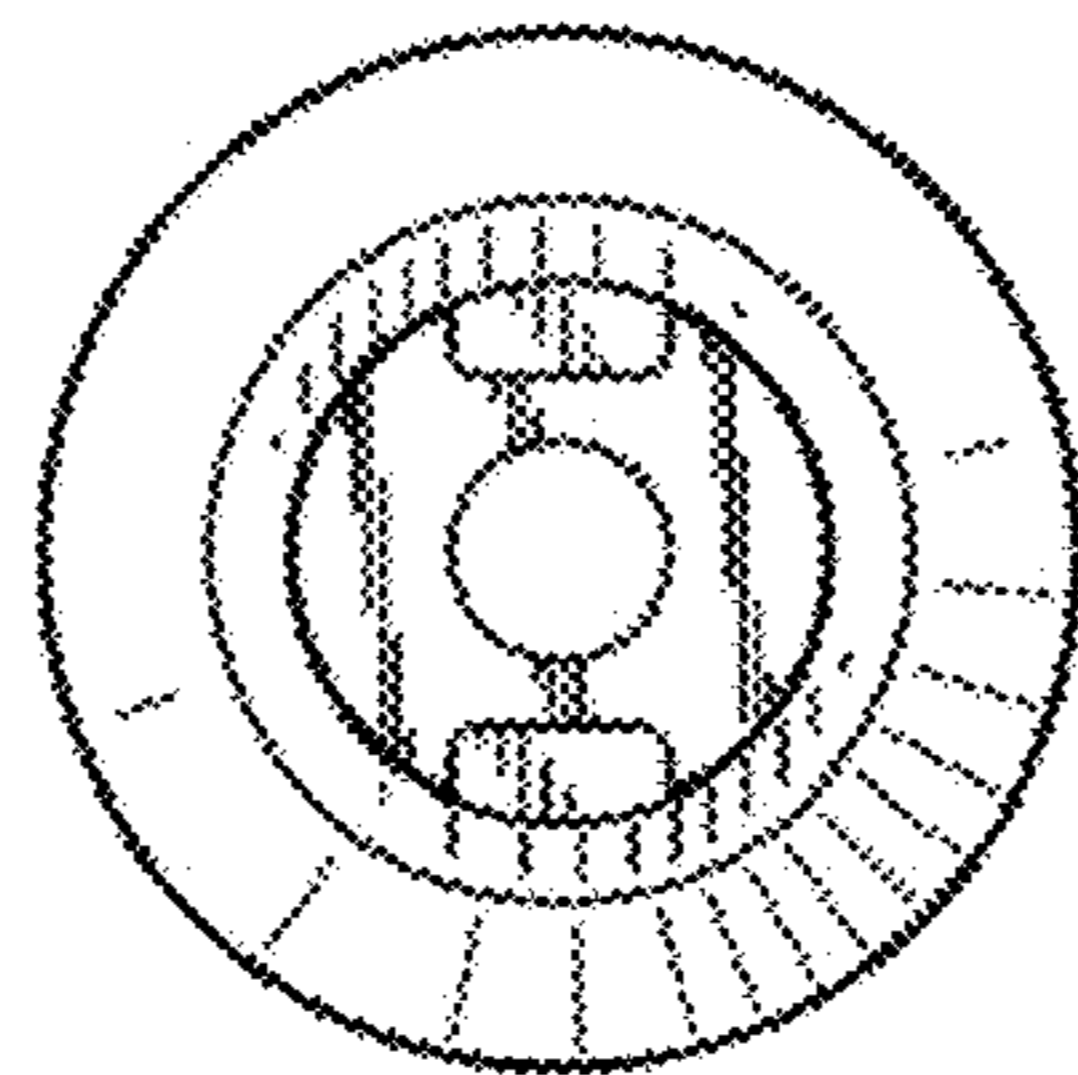


FIG. 8