



US00D753789S

(12) **United States Design Patent**
Raab et al.

(10) **Patent No.:** **US D753,789 S**
(45) **Date of Patent:** **** Apr. 12, 2016**

(54) **PRE-COAT FILTER ELEMENT**

(71) Applicant: **Graver Technologies LLC**, Glasgow, DE (US)

(72) Inventors: **Brian Raab**, Bel Air, MD (US); **Brian Velon**, Wilmington, DE (US)

(73) Assignee: **GRAVER TECHNOLOGIES LLC**, Glasgow, DE (US)

(**) Term: **14 Years**

(21) Appl. No.: **29/503,204**

(22) Filed: **Sep. 24, 2014**

(51) **LOC (10) Cl.** **23-01**

(52) **U.S. Cl.**
USPC **D23/209**

(58) **Field of Classification Search**
USPC D23/207, 209, 262, 259, 265; 210/232, 210/234, 236, 418, 493, 497.01, 499; D8/382; 285/360, 361
CPC B01D 2201/291; B01D 2201/293; B01D 2201/296; B01D 2201/298; B01D 2201/301–2201/306; B01D 35/153; B01D 35/157; B01D 35/30; B01D 29/111; B01D 39/12; B01D 39/10
See application file for complete search history.

(56) **References Cited**

U.S. PATENT DOCUMENTS

5,024,771 A * 6/1991 Chiarito B01D 29/114 210/353
5,336,405 A * 8/1994 Tang B01D 29/111 210/232
D401,306 S * 11/1998 Ward D23/209

D414,544 S * 9/1999 Ward D23/209
D416,308 S * 11/1999 Ward D23/209
6,318,564 B1 * 11/2001 Archibald B01D 29/35 169/13
D463,524 S * 9/2002 Ellis D23/209
D481,101 S * 10/2003 Boehrs D23/209
D544,070 S * 6/2007 Flor D23/209
D571,433 S * 6/2008 Koteskey D23/209
D582,001 S * 12/2008 Tierney D22/102
D609,775 S * 2/2010 Zukor D23/209
8,360,162 B2 * 1/2013 Lelic A62C 99/0018 169/11
D724,179 S * 3/2015 Keenan D23/209

* cited by examiner

Primary Examiner — Robin V Webster

(74) *Attorney, Agent, or Firm* — Robert Curcio; DeLio, Peterson & Curcio, LLC

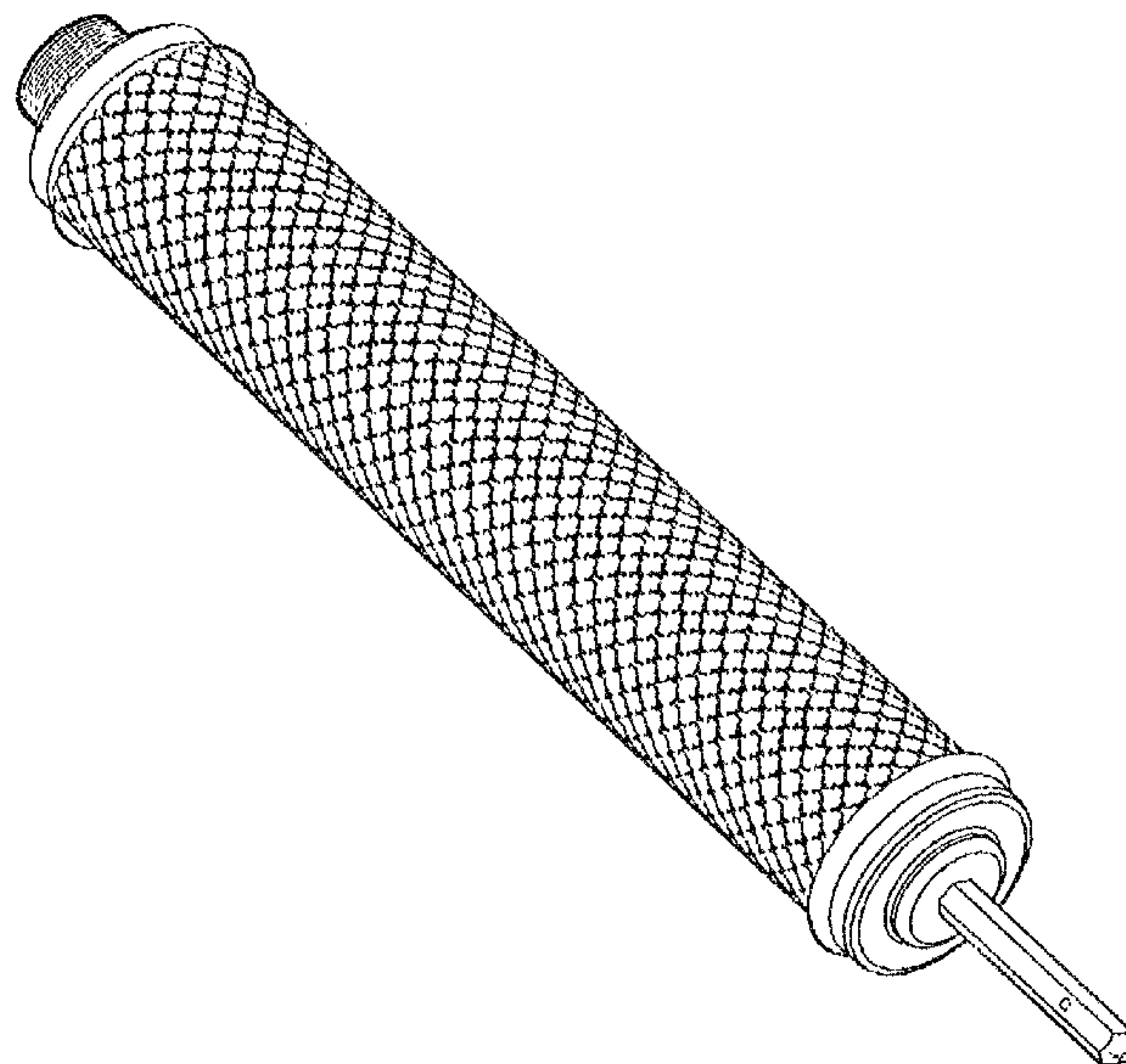
(57) **CLAIM**

We claim the ornamental design for a “pre-coat filter element,” as shown and described.

DESCRIPTION

FIG. 1 is a top perspective view of the pre-coat filter element according to the present invention;
FIG. 2 is a bottom perspective view of the pre-coat filter element according to the present invention;
FIG. 3 is an elevational left side view of the pre-coat filter element according to the present invention;
FIG. 4 is an elevational right side view of the pre-coat filter element according to the present invention;
FIG. 5 is a bottom view of the pre-coat filter element according to the present invention; and,
FIG. 6 is a top view of the pre-coat filter element according to the present invention.

1 Claim, 2 Drawing Sheets



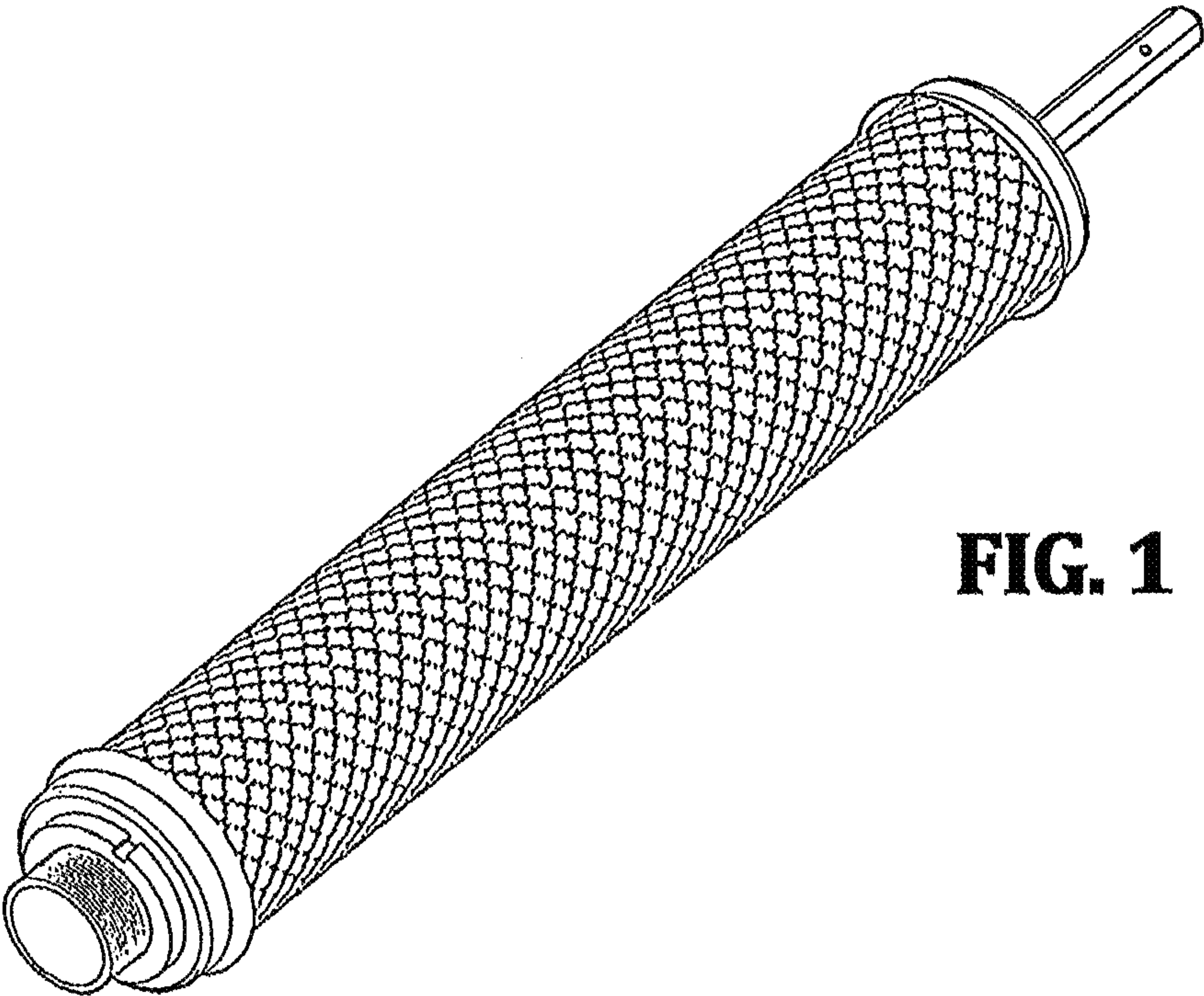


FIG. 1

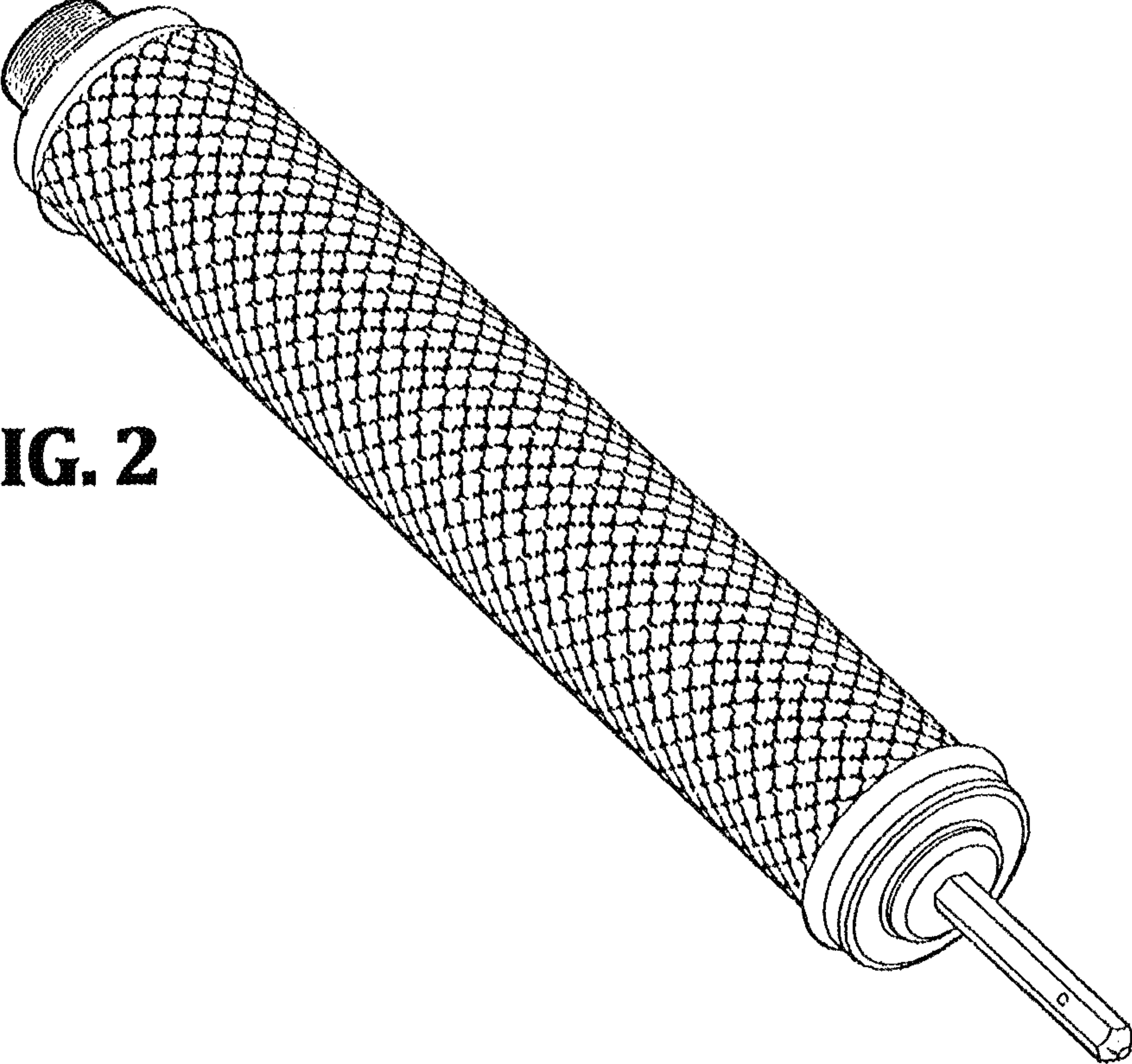


FIG. 2

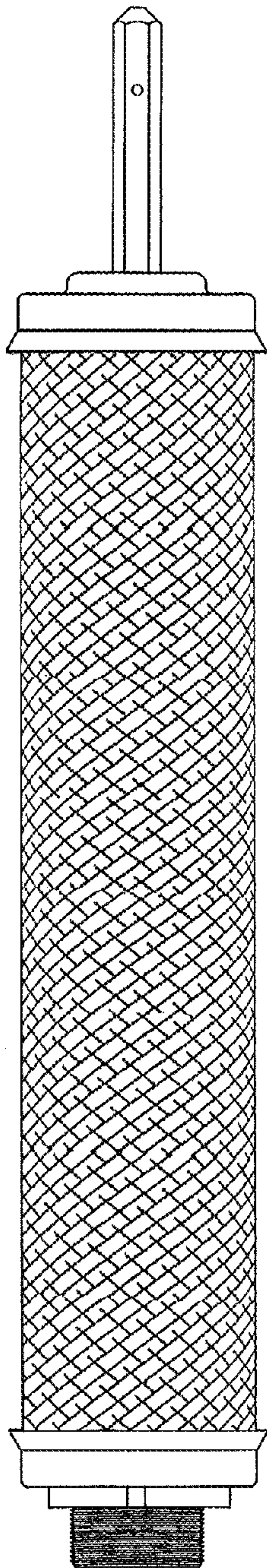


FIG. 3

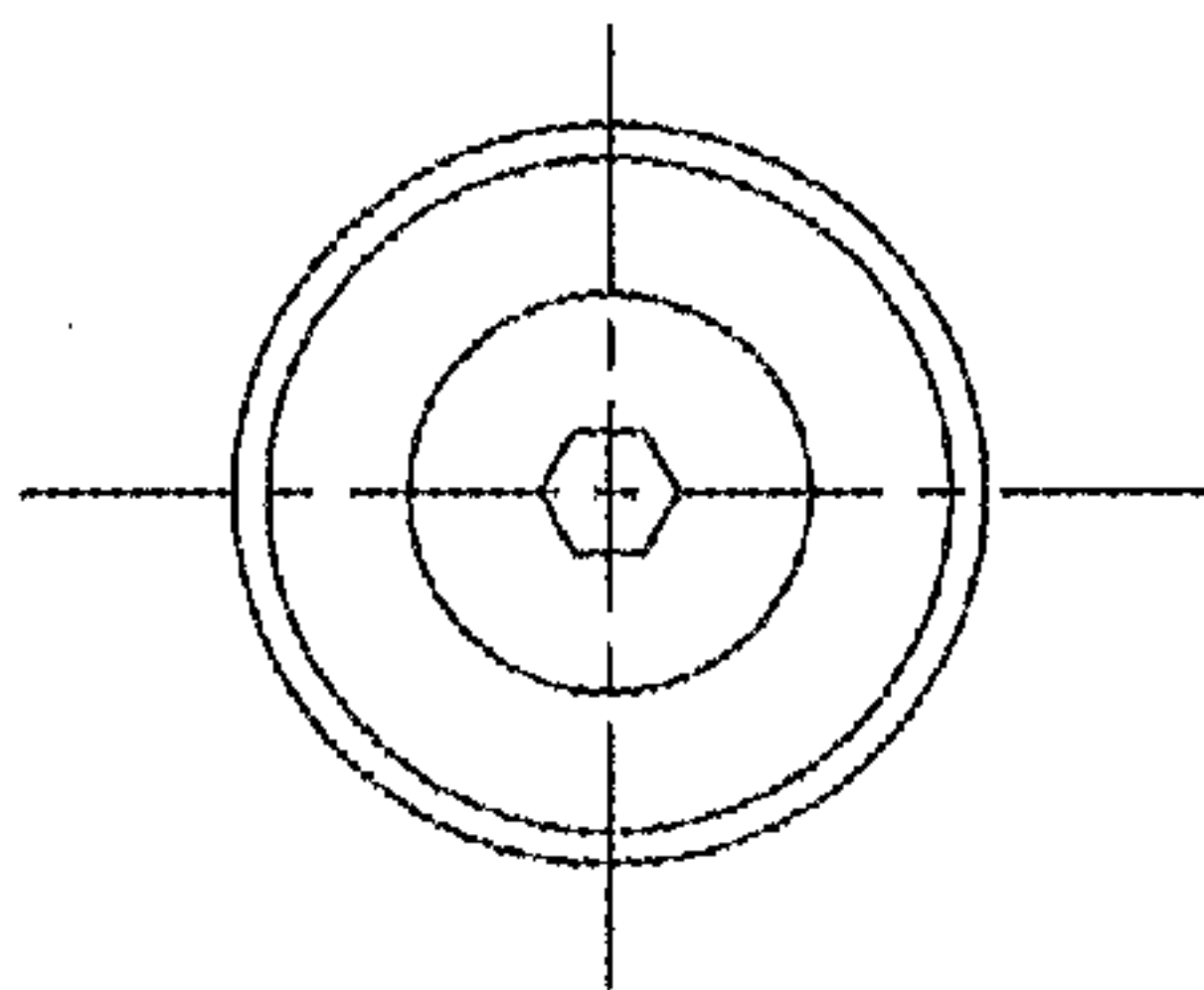


FIG. 5

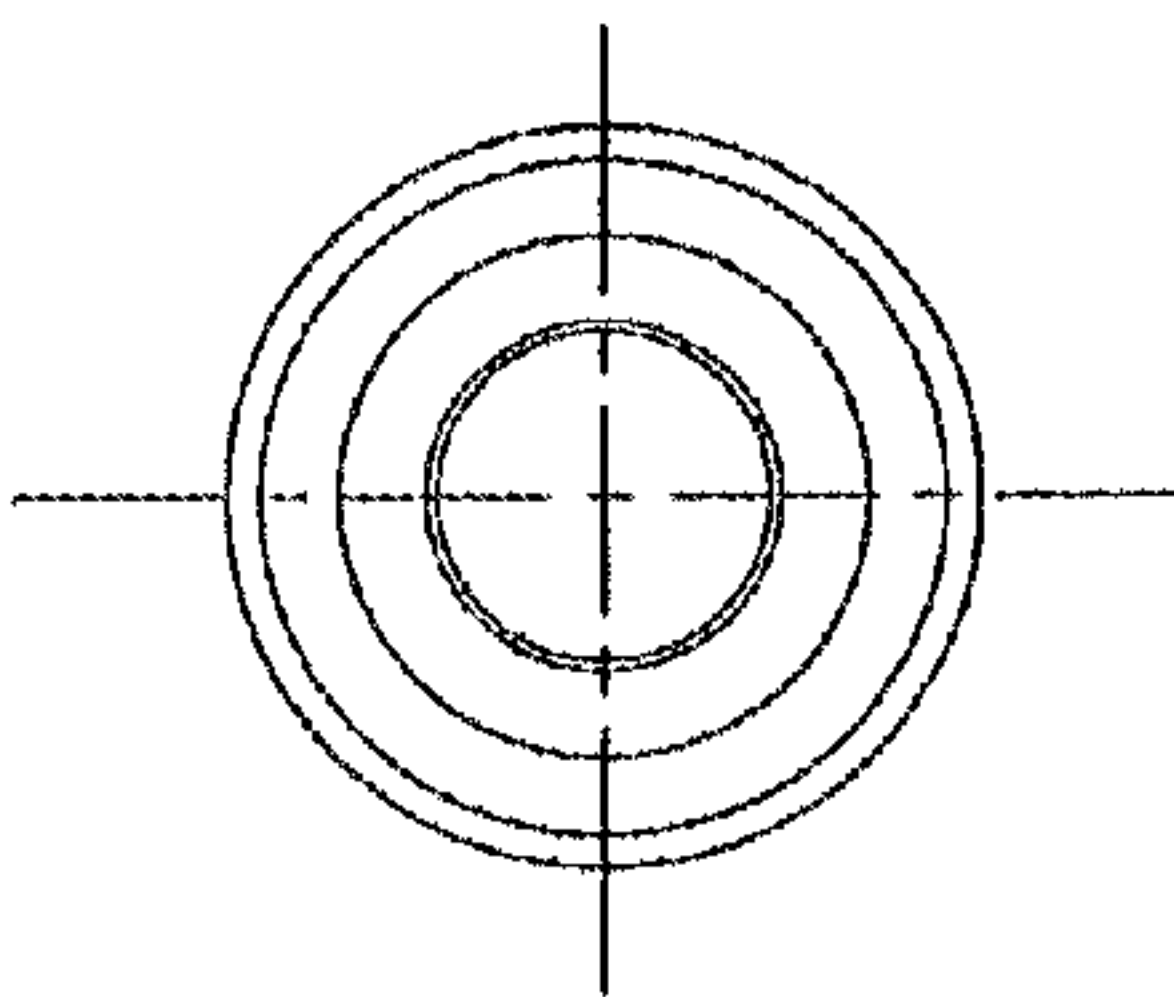


FIG. 6

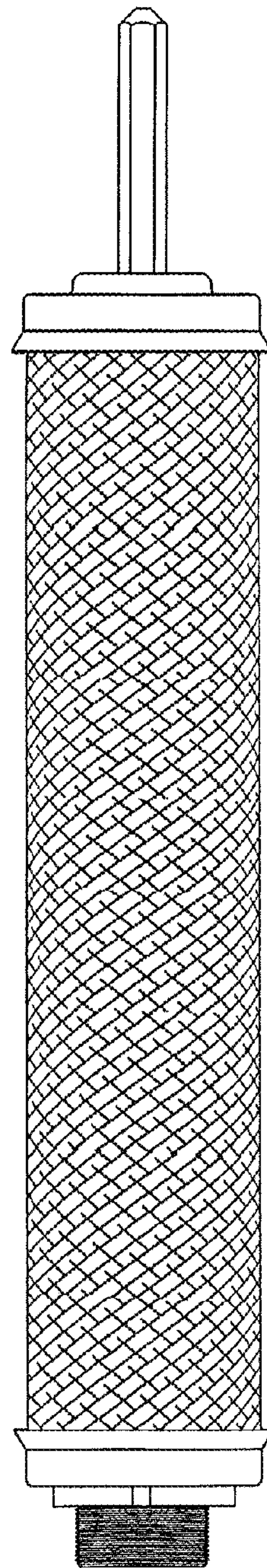


FIG. 4