

US00D753787S

(12) **United States Design Patent**  
**Rowsey**

(10) **Patent No.:** **US D753,787 S**

(45) **Date of Patent:** **\*\* Apr. 12, 2016**

(54) **STEALTH TANK COVER**

(71) Applicant: **Bryan Rowsey**, Keller, TX (US)

(72) Inventor: **Bryan Rowsey**, Keller, TX (US)

(\*\*) Term: **14 Years**

(21) Appl. No.: **29/473,462**

(22) Filed: **Nov. 22, 2013**

(51) **LOC (10) Cl.** ..... **23-01**

(52) **U.S. Cl.**  
USPC ..... **D23/206**

(58) **Field of Classification Search**  
USPC ..... D23/206; 220/628, 634, 635, 367.1,  
220/565, 582; D9/428; 150/154  
See application file for complete search history.

(56) **References Cited**

**U.S. PATENT DOCUMENTS**

D561,298 S \* 2/2008 Brockington et al. .... D23/206

D611,566 S \* 3/2010 Brockington et al. .... D23/206

\* cited by examiner

*Primary Examiner* — Robin V Webster

(74) *Attorney, Agent, or Firm* — Norred Law, PLLC; Warren V. Norred

(57) **CLAIM**

I claim the ornamental design for stealth tank cover, as shown.

**DESCRIPTION**

FIG. 1 is a left orthogonal view of a stealth tank cover.  
FIG. 2 is an exploded view of the stealth tank cover as in FIG. 1.  
FIG. 3 is a rear left orthogonal photo of the stealth tank cover as in FIG. 1; and,  
FIG. 4 is a left side photo of the stealth tank cover as in FIG. 1.  
In all the drawings and photos, a tank is also shown on which the stealth tank cover sits. No part of the tank is claimed.

**1 Claim, 4 Drawing Sheets**

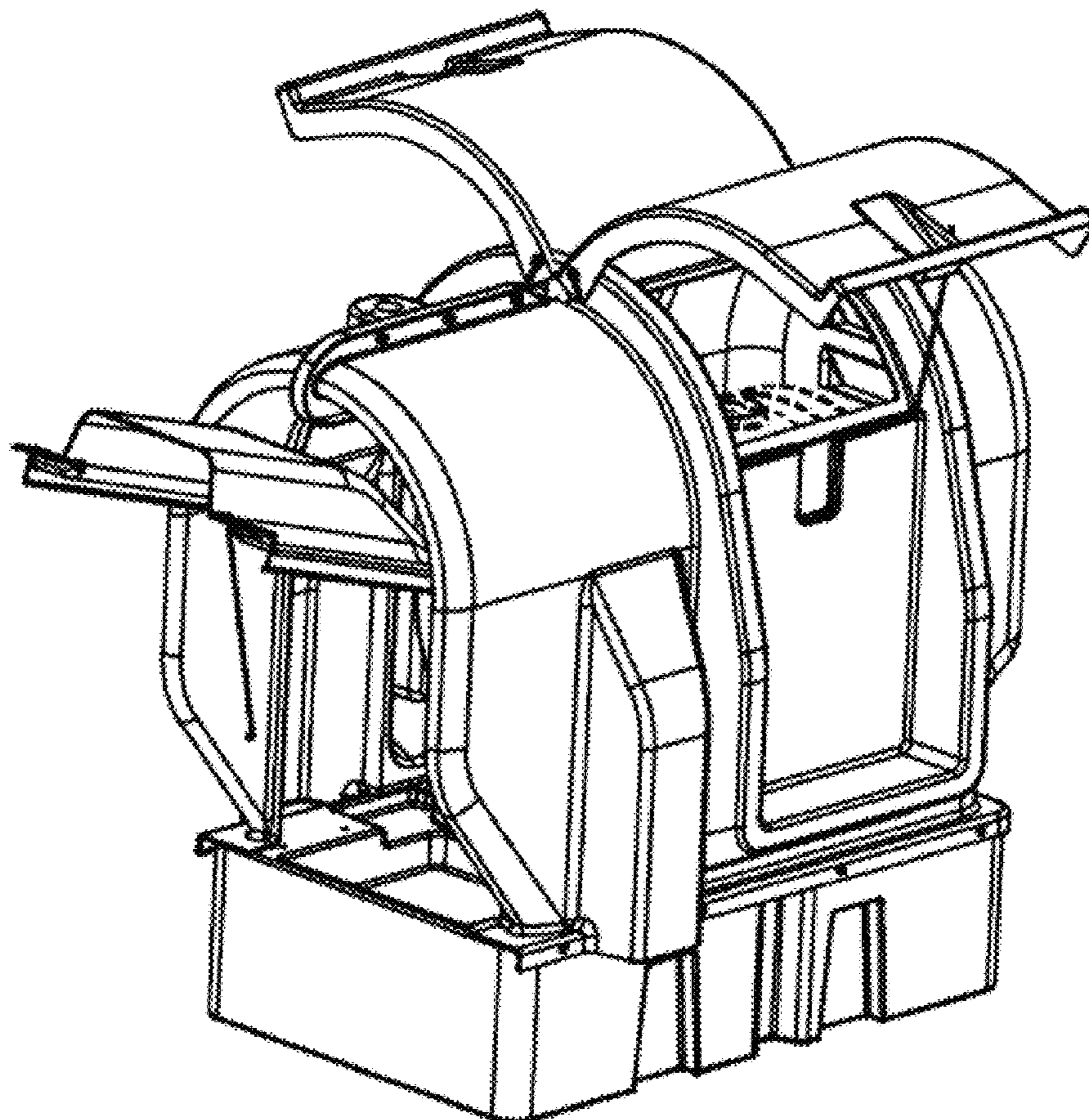


FIG. 1

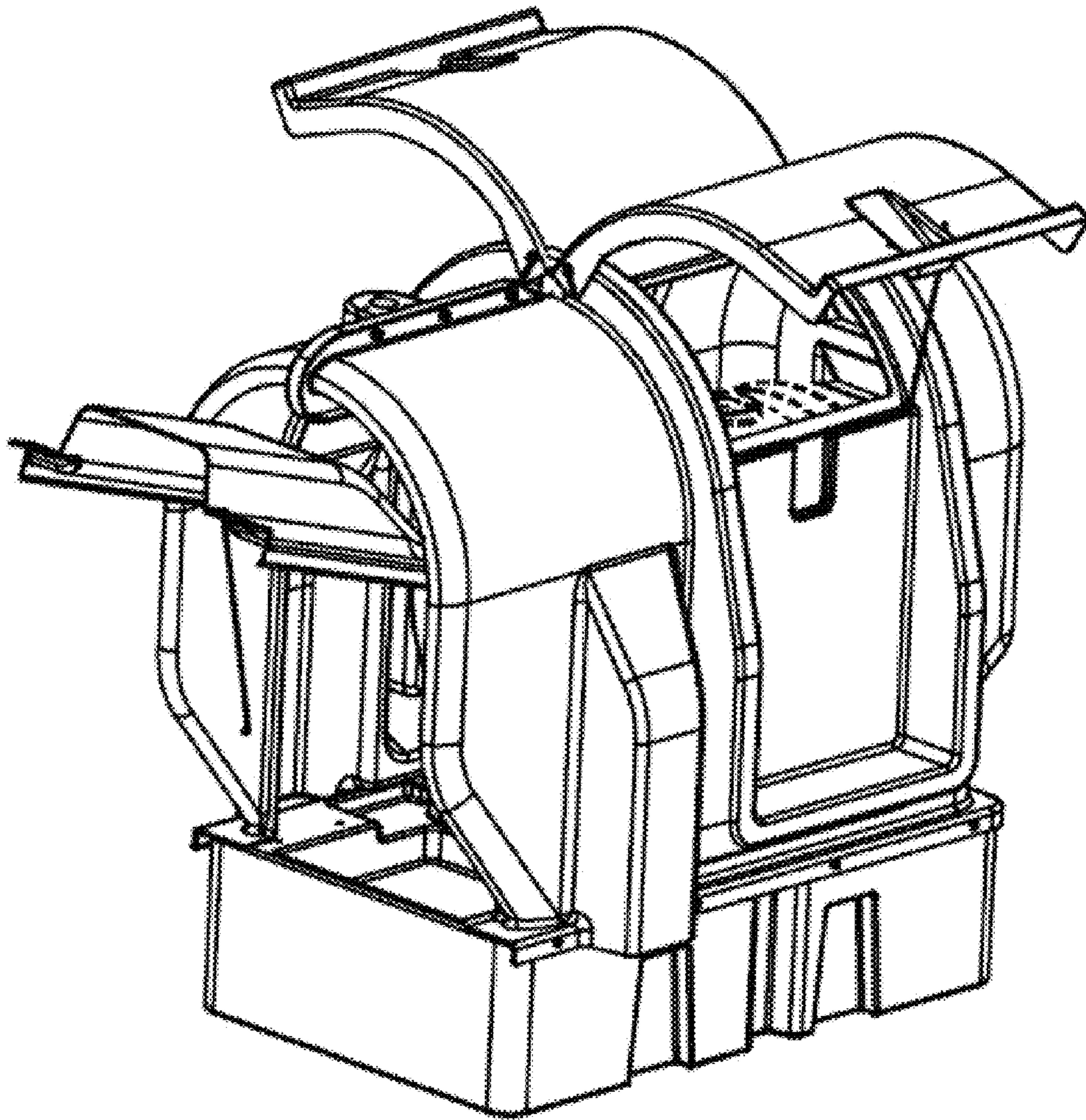


FIG. 2

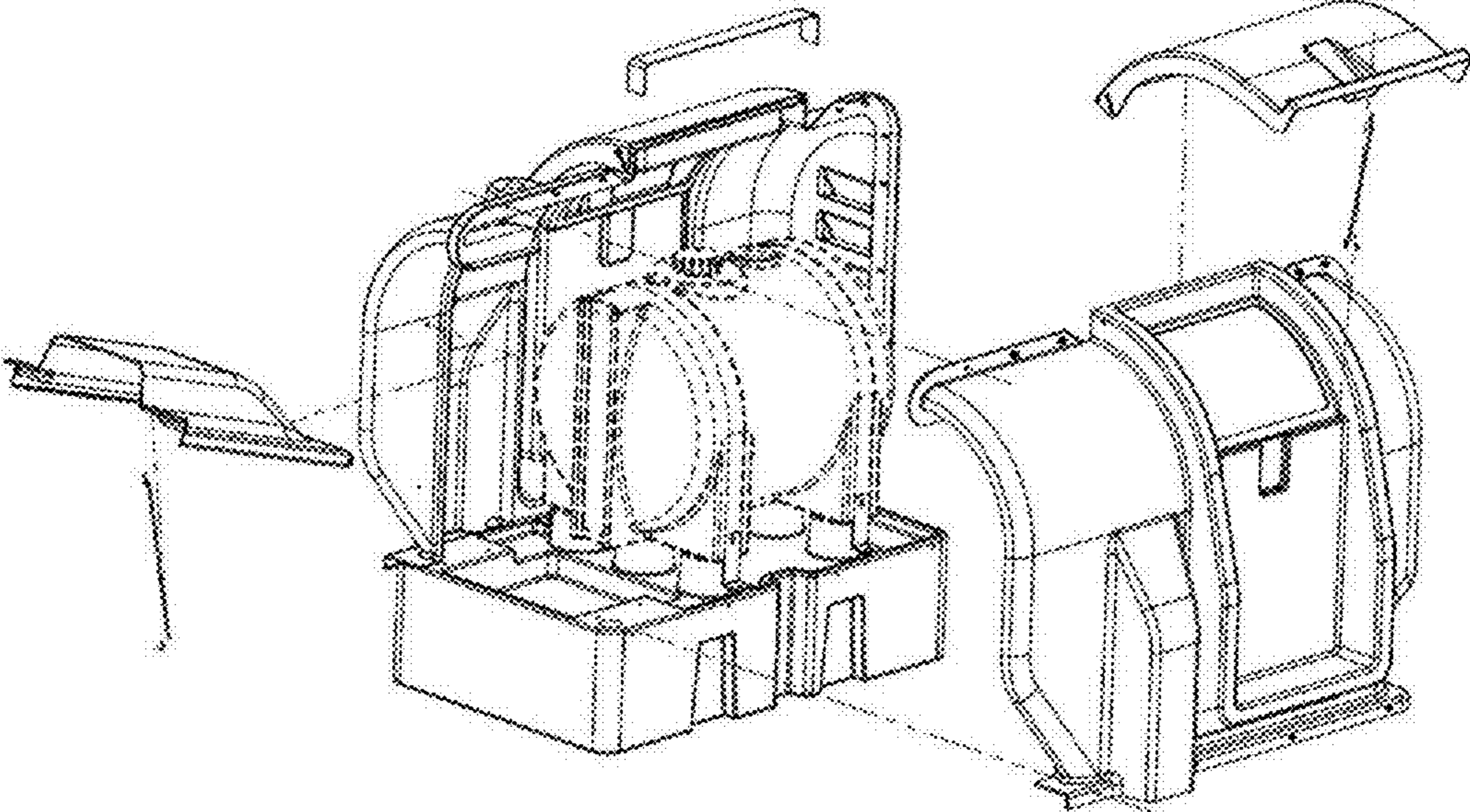


FIG. 3

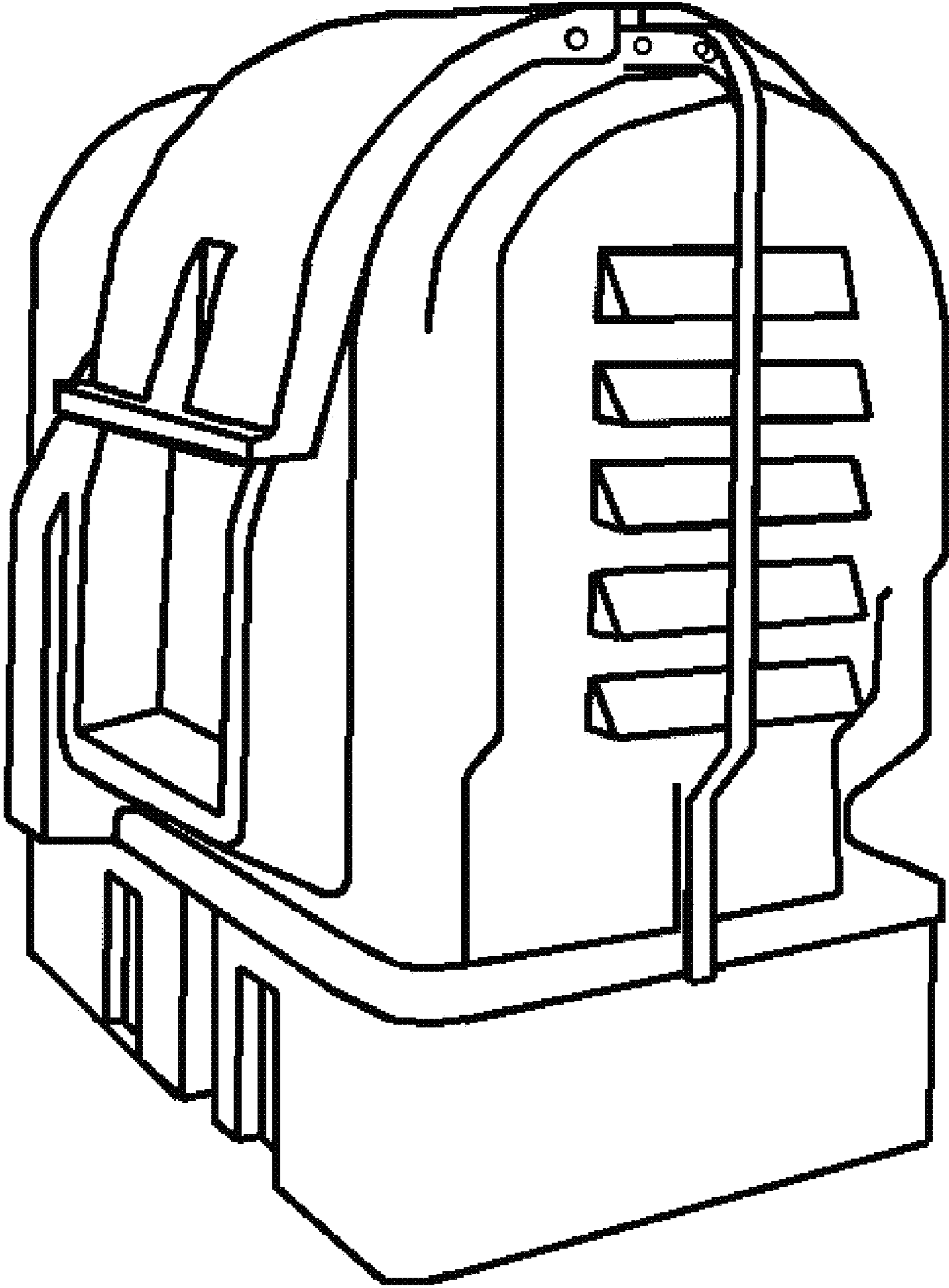


FIG. 4

