



US00D753784S

(12) **United States Design Patent**  
**Montes**

(10) **Patent No.:** **US D753,784 S**  
(45) **Date of Patent:** **\*\* Apr. 12, 2016**

(54) **ADAPTER FOR A FIREARM STABILIZING  
ARM BRACE**

D722,355 S \* 2/2015 Daniel ..... D22/108  
D726,277 S \* 4/2015 Mayberry ..... D22/108  
2006/0254113 A1\* 11/2006 Esch ..... F41C 23/02  
42/85

(71) Applicant: **Phase 5 Weapon Systems Inc.,**  
Roseville, CA (US)

**OTHER PUBLICATIONS**

(72) Inventor: **Kenneth Montes,** Roseville, CA (US)

Montes, U.S. Appl. No. 62/101,351, filed Jan. 8, 2015.  
Odin Works, "SB-PT Locking Collar," Odin Works, available on Dec.  
4, 2014.

(73) Assignee: **Phase 5 Weapon Systems Inc.,**  
Roseville, CA (US)

\* cited by examiner

(\*\*) Term: **14 Years**

*Primary Examiner* — Michael A Pratt

(21) Appl. No.: **29/514,177**

(74) *Attorney, Agent, or Firm* — Law Office of Andrei D  
Popovici, PC

(22) Filed: **Jan. 8, 2015**

(51) **LOC (10) Cl.** ..... **22-01**

(57) **CLAIM**

(52) **U.S. Cl.**  
USPC ..... **D22/108**

What is claimed is the ornamental design for an adapter for a  
firearm stabilizing arm brace, as shown.

(58) **Field of Classification Search**  
USPC ..... D22/108; D8/356  
CPC .... F41C 33/002; F41C 33/001; F41C 33/006;  
F41C 33/007; F41C 23/02; A45F 3/12;  
A45F 2003/142  
See application file for complete search history.

**DESCRIPTION**

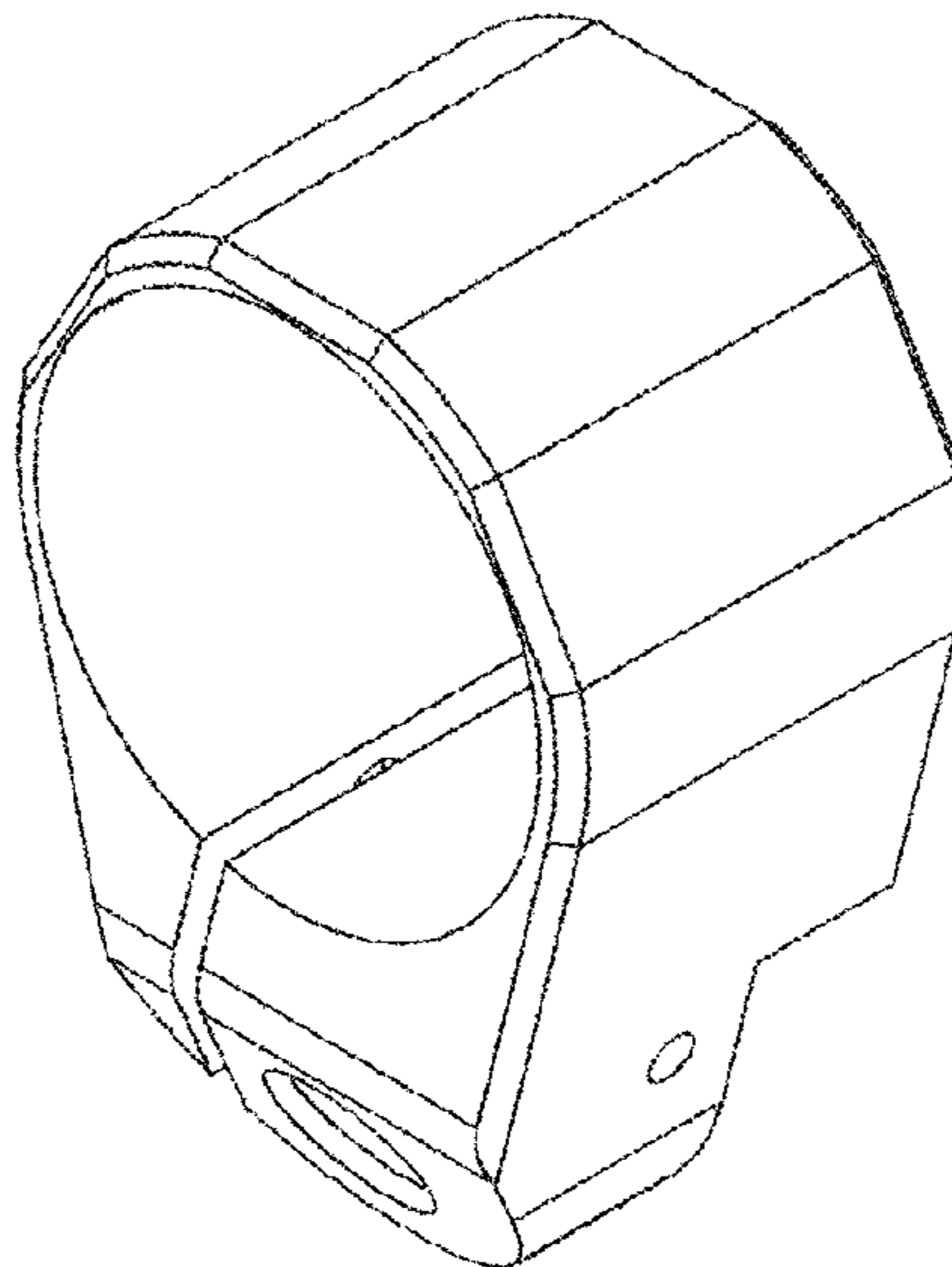
(56) **References Cited**

**U.S. PATENT DOCUMENTS**

6,536,153 B2 \* 3/2003 Lindsey ..... F41C 33/001  
224/150  
6,598,330 B2 \* 7/2003 Garrett ..... F41C 23/02  
224/150  
7,082,709 B2 \* 8/2006 Lindsey ..... F41C 33/001  
42/85  
7,562,481 B2 \* 7/2009 Esch ..... F41C 23/02  
224/150  
D664,233 S \* 7/2012 Heidkamp ..... D22/108  
8,312,662 B2 \* 11/2012 Rogers ..... F41C 23/02  
42/85

FIG. 1 shows an isometric view of an adapter for a firearm  
stabilizing arm brace.  
FIG. 2 shows a bottom plan view of an adapter for a firearm  
stabilizing arm brace.  
FIG. 3 shows a top plan view of an adapter for a firearm  
stabilizing arm brace.  
FIG. 4 shows a rear plan view of an adapter for a firearm  
stabilizing arm brace.  
FIG. 5 shows a front plan view of an adapter for a firearm  
stabilizing arm brace.  
FIG. 6 shows a left side plan view of an adapter for a firearm  
stabilizing arm brace; and,  
FIG. 7 shows a right side plan view of an adapter for a firearm  
stabilizing arm brace.

**1 Claim, 4 Drawing Sheets**



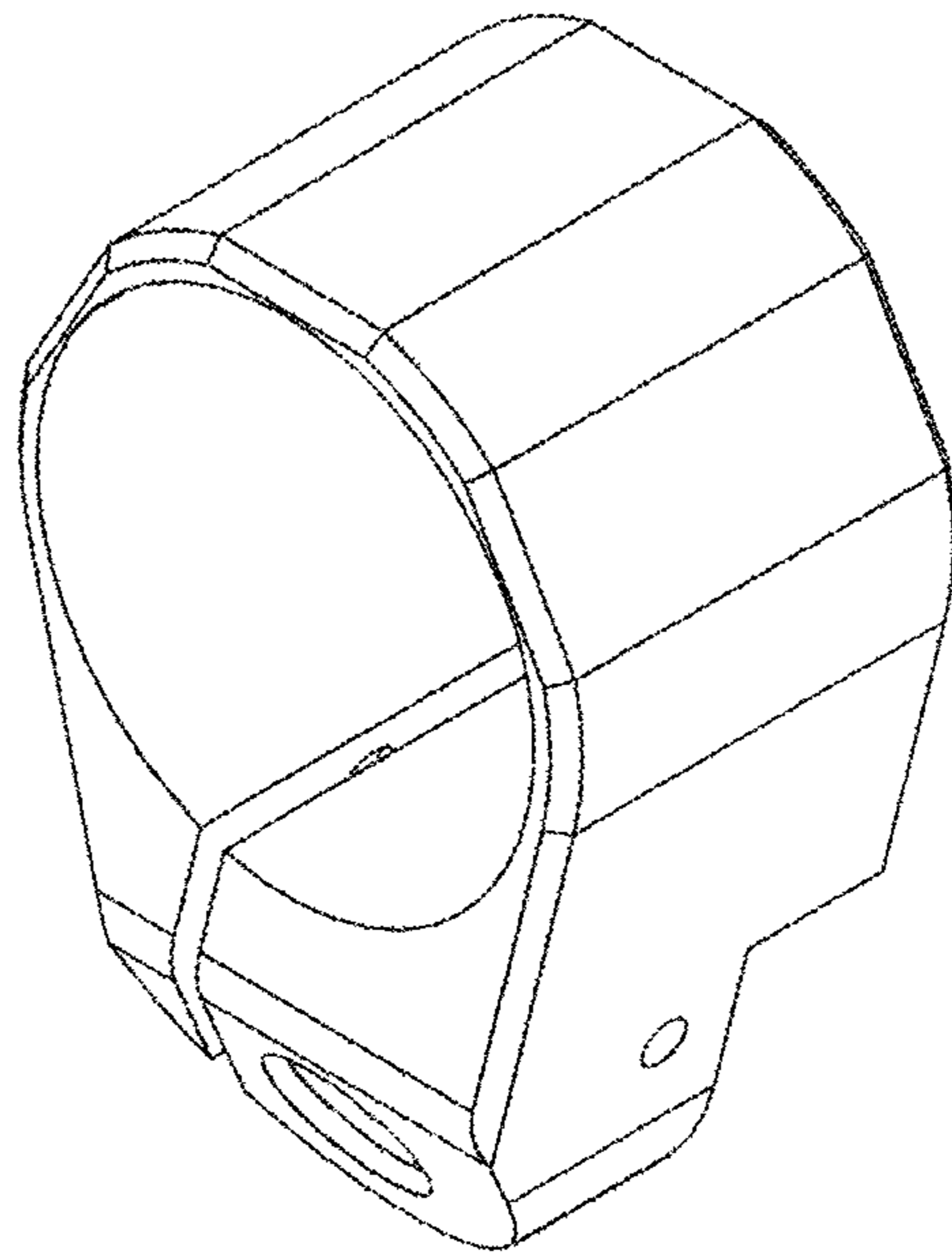


FIG. 1

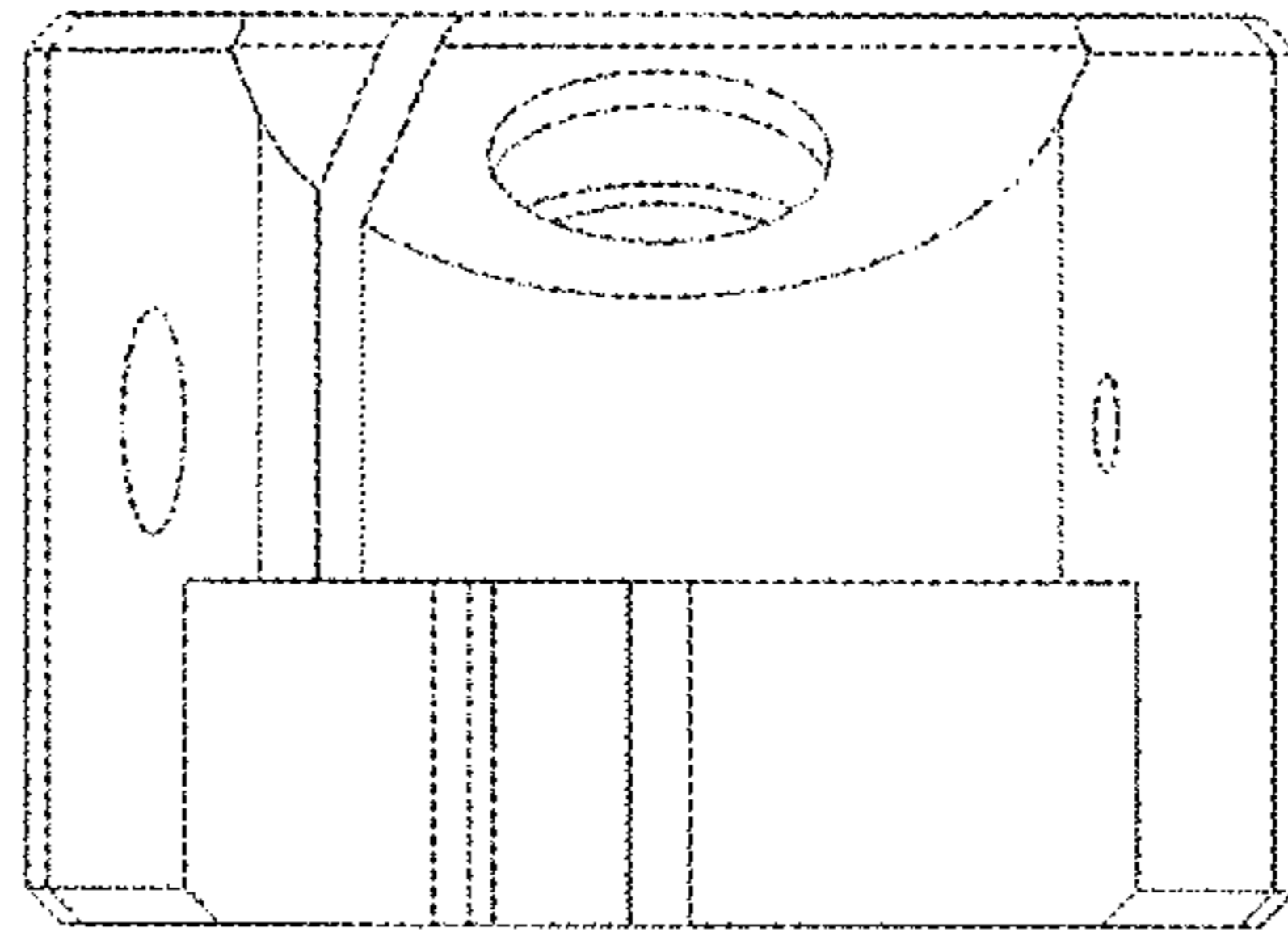


FIG. 2

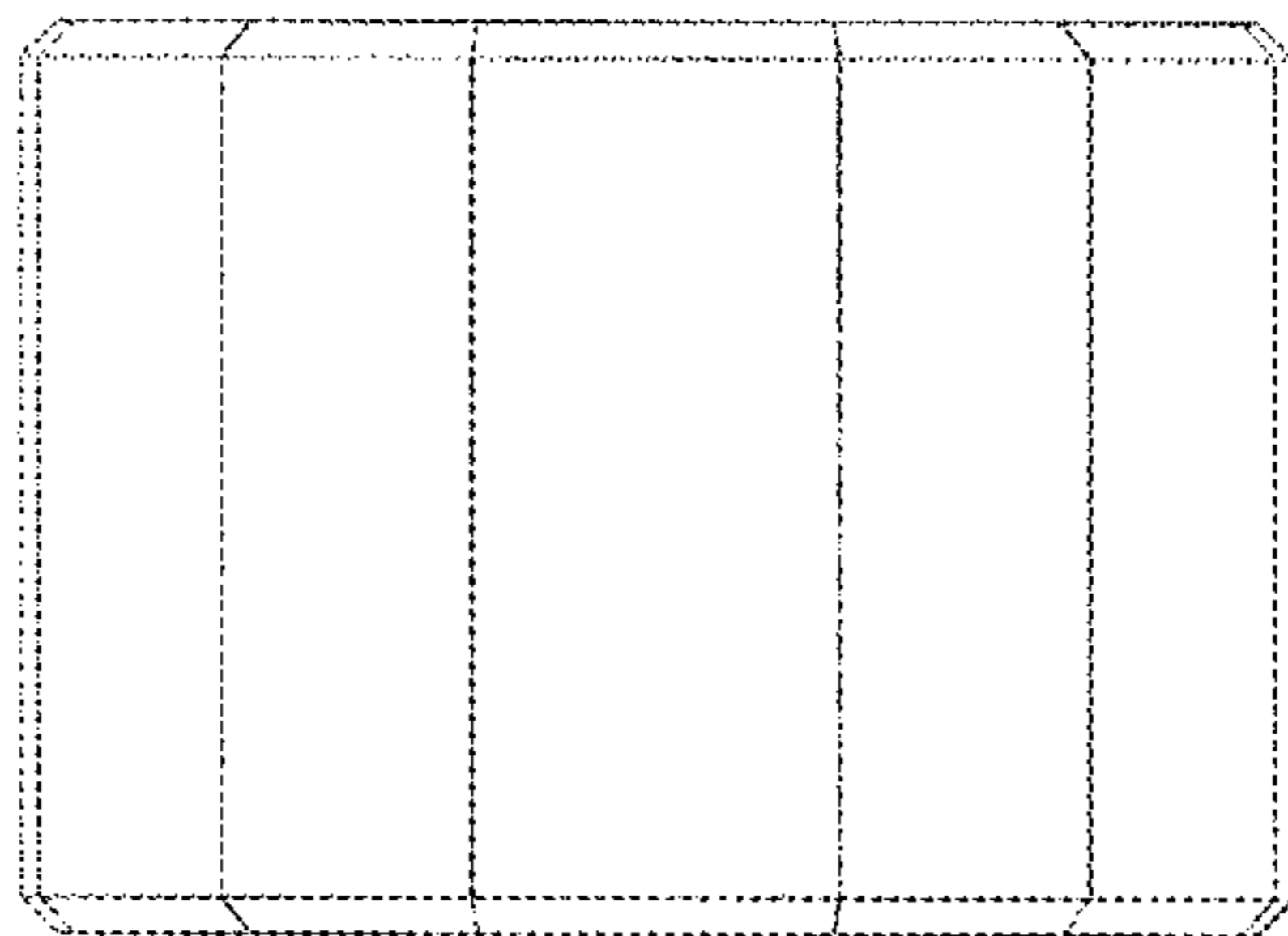


FIG. 3

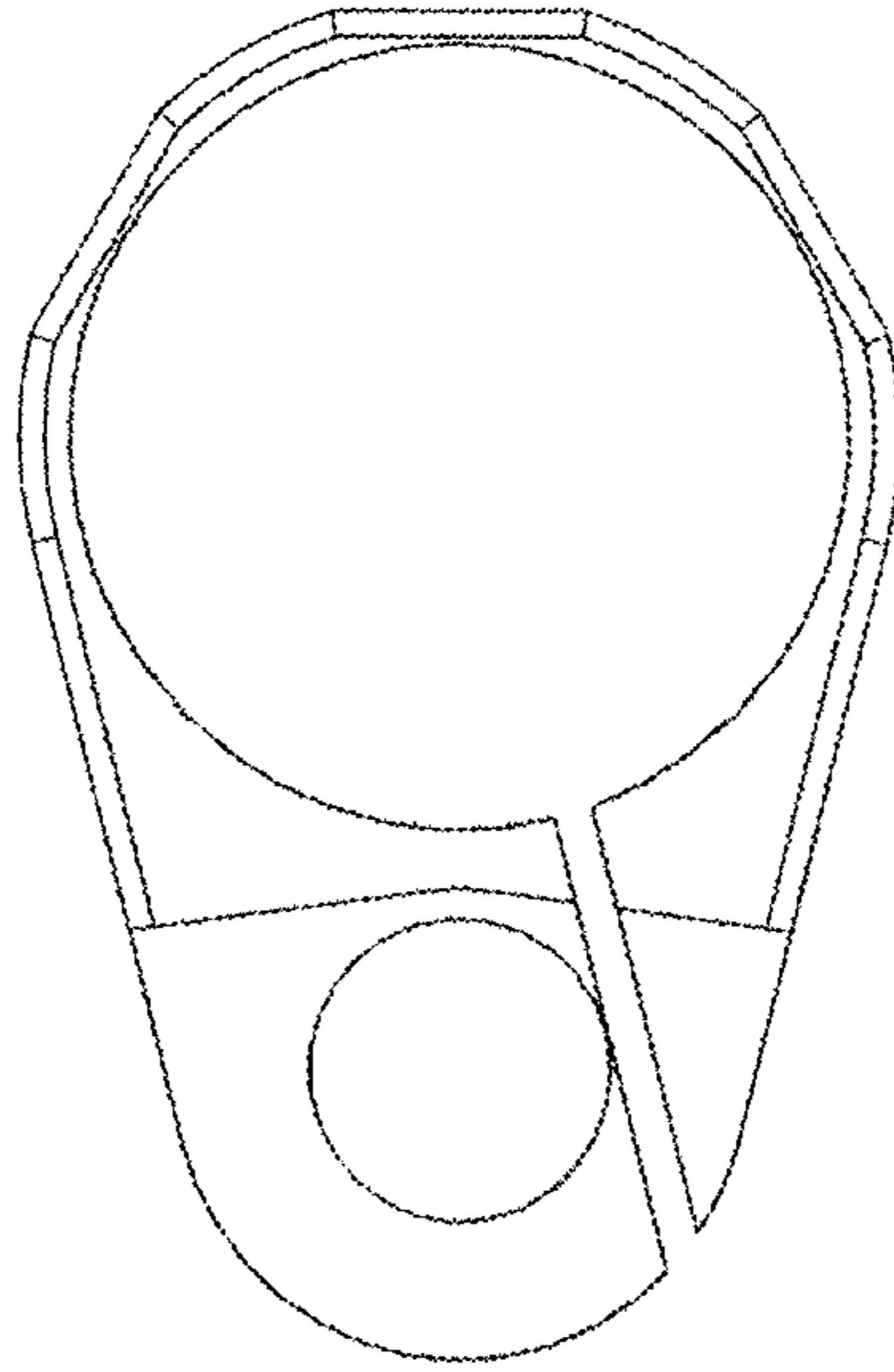


FIG. 4

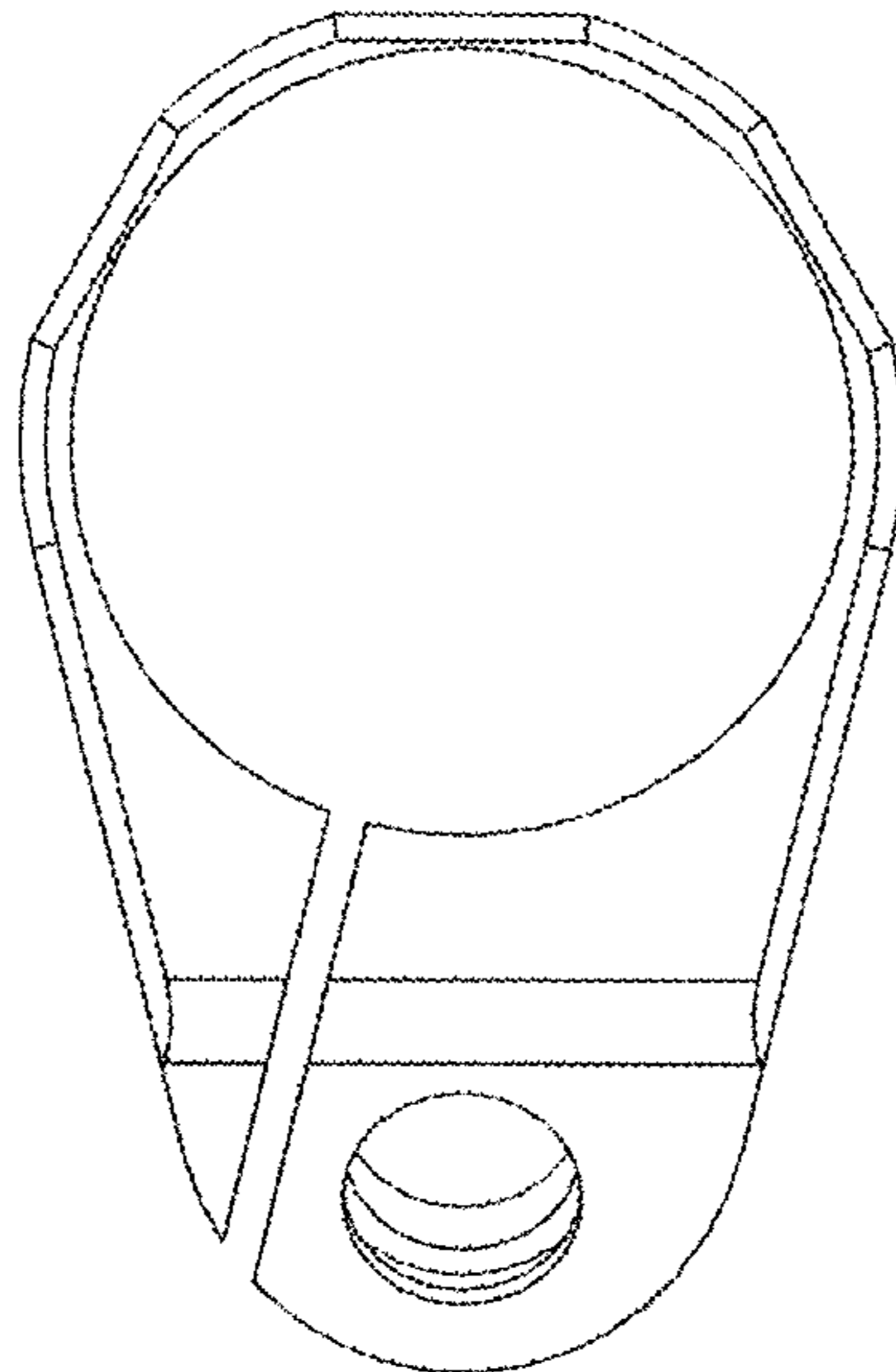


FIG. 5

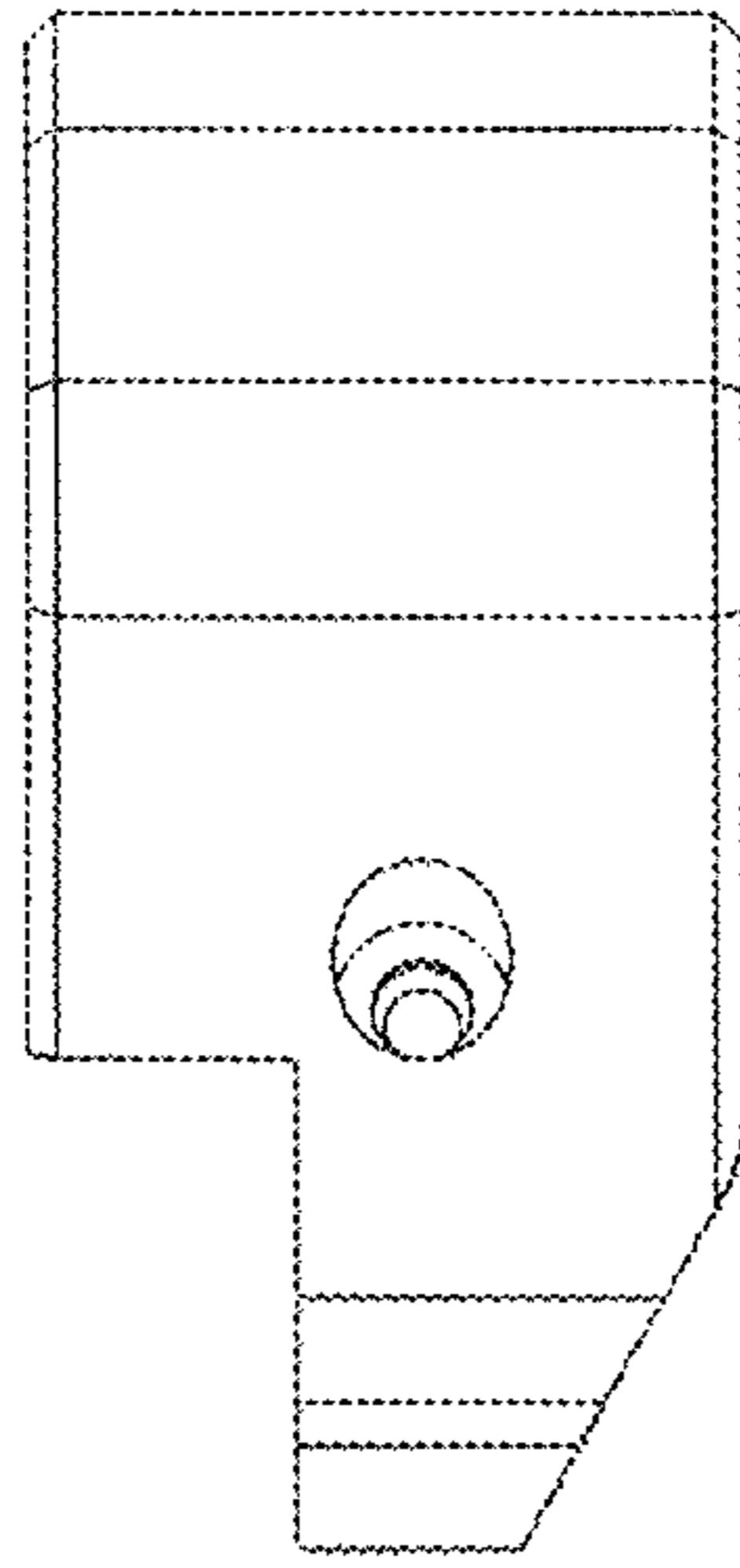


FIG. 6

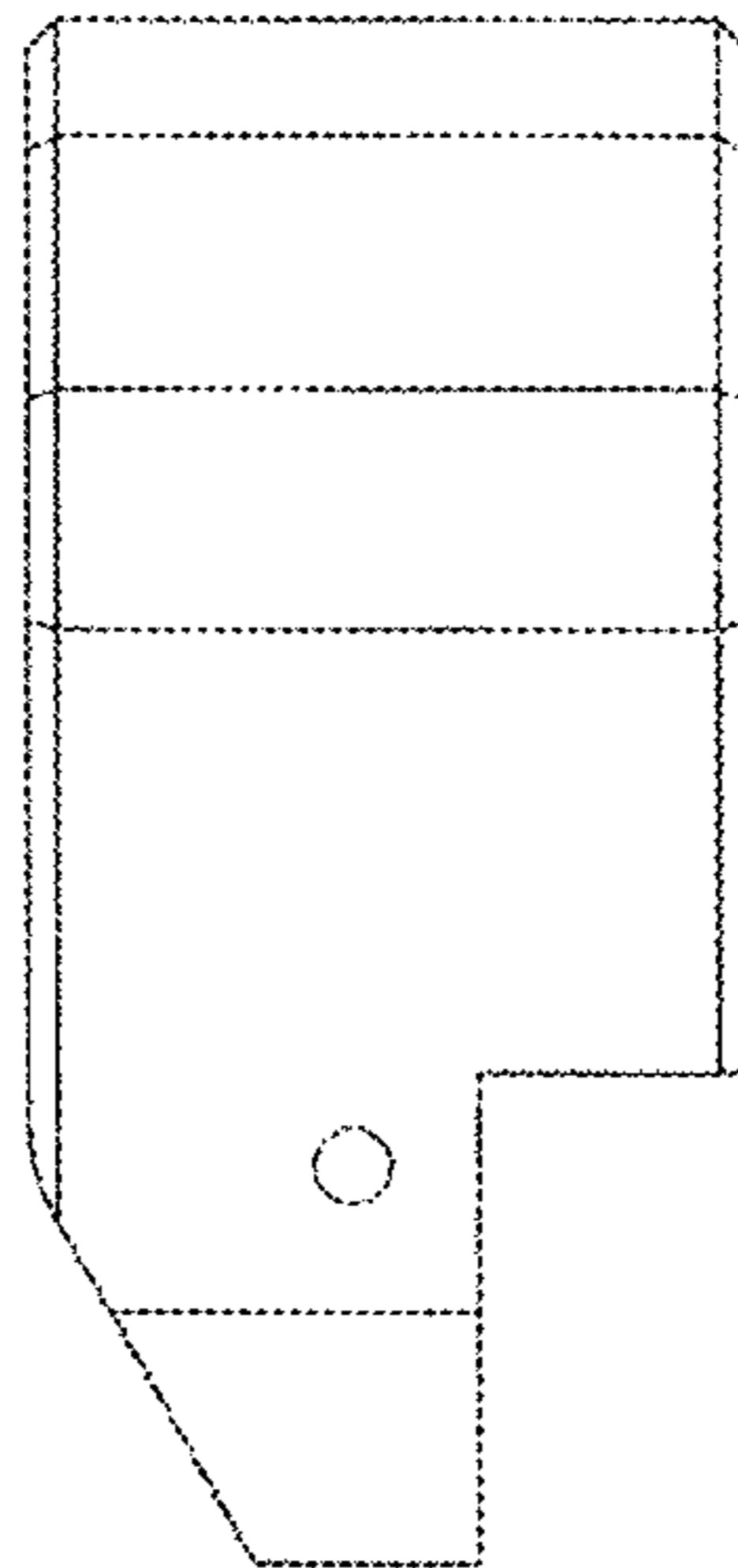


FIG. 7