



US00D753783S

(12) **United States Design Patent**  
**Pittman**

(10) **Patent No.:** **US D753,783 S**  
(45) **Date of Patent:** **\*\* Apr. 12, 2016**

(54) **SLING ATTACHMENT DEVICE**

(56) **References Cited**

- (71) Applicant: **Impact Weapons Components, LLC**,  
Timnath, CO (US)
- (72) Inventor: **Earl L. Pittman**, Fort Collins, CO (US)
- (73) Assignee: **Impact Weapons Components, LLC**,  
Timnath, CO (US)
- (\*\*) Term: **14 Years**
- (21) Appl. No.: **29/504,022**
- (22) Filed: **Oct. 1, 2014**

U.S. PATENT DOCUMENTS

6,263,892	B1	7/2001	Baker	
6,536,153	B2	3/2003	Lindsey	
6,598,330	B2	7/2003	Garrett et al.	
D495,870	S	9/2004	Verdugo	
7,082,709	B2	8/2006	Lindsey	
7,841,496	B1	11/2010	Schweikert	
7,959,046	B2	6/2011	Burnsed, Jr. et al.	
D685,445	S *	7/2013	Pittman	D22/108
D717,391	S *	11/2014	Pittman	D22/108
2002/0020724	A1	2/2002	Lindsey	
2007/0257072	A1	11/2007	Pena et al.	
2008/0217371	A1	9/2008	Wemmer	
2011/0186603	A1	8/2011	Alford	
2012/0255976	A1	10/2012	Dees	

\* cited by examiner

**Related U.S. Application Data**

(62) Division of application No. 29/455,138, filed on May 17, 2013, now Pat. No. Des. 717,391, which is a division of application No. 29/409,482, filed on Dec. 23, 2011, now Pat. No. Des. 685,445.

(51) **LOC (10) Cl.** ..... **22-01**

(52) **U.S. Cl.**  
USPC ..... **D22/108**

(58) **Field of Classification Search**  
USPC ..... D22/108; D29/101.1, 101.2;  
D3/214-215, 221, 262, 327-328;  
D8/356  
CPC ..... F41C 23/02; F41C 33/002; F41C 33/001;  
F41C 33/006; F41C 33/007; A45F 2003/142;  
A45F 3/12

See application file for complete search history.

*Primary Examiner* — Michael A Pratt  
(74) *Attorney, Agent, or Firm* — Cooley LLP

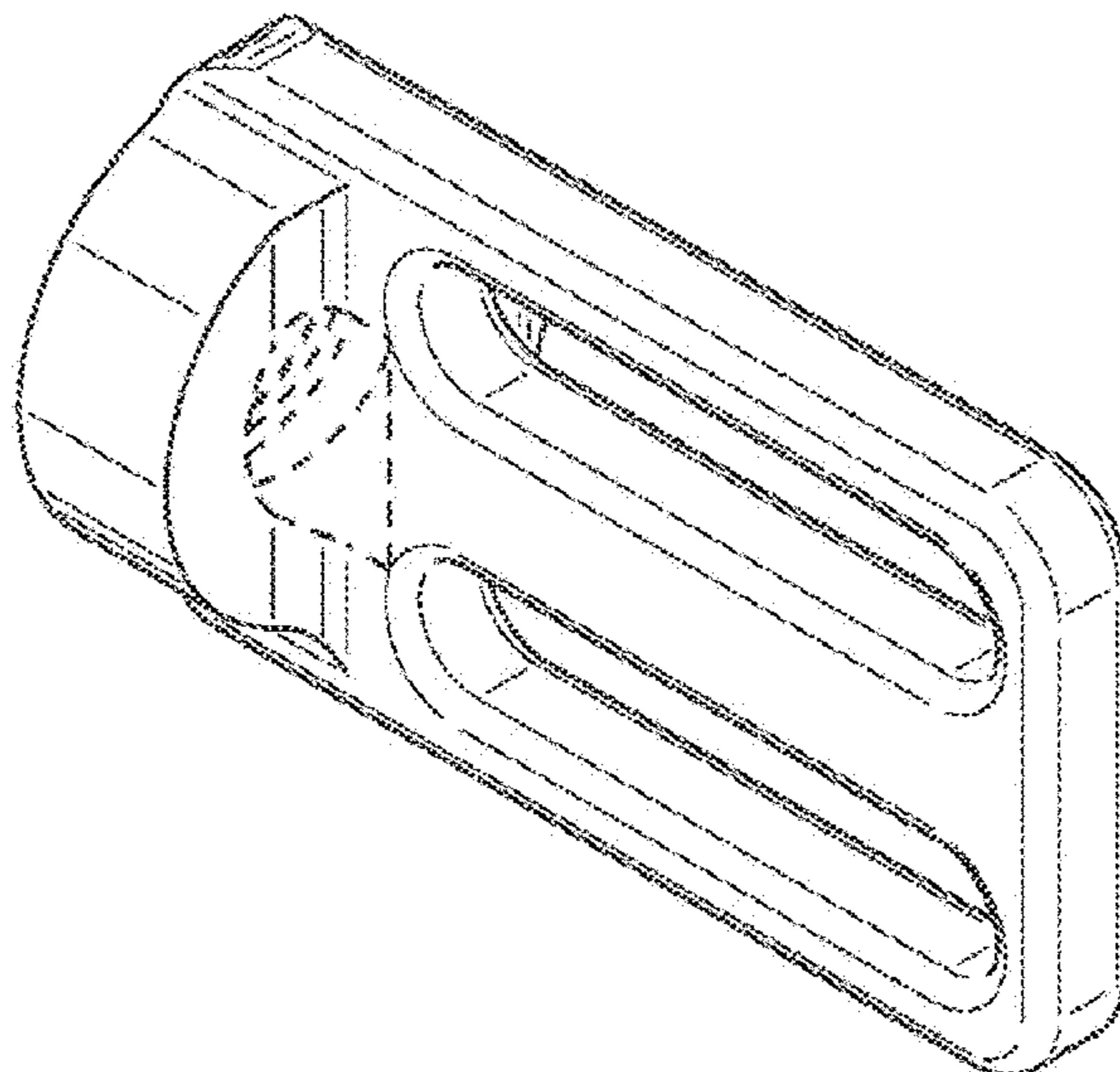
(57) **CLAIM**

The ornamental design for a sling attachment device, as shown and described.

**DESCRIPTION**

FIG. 1 is a perspective view thereof;  
FIG. 2 is a top view thereof, the bottom view being a mirror image thereof;  
FIG. 3 is a front view thereof, the back view being a mirror image thereof;  
FIG. 4 is a left side view thereof; and,  
FIG. 5 is a right side view thereof.  
The broken line showing of aspects of the sling attachment device forms no part of the claimed design.

**1 Claim, 2 Drawing Sheets**



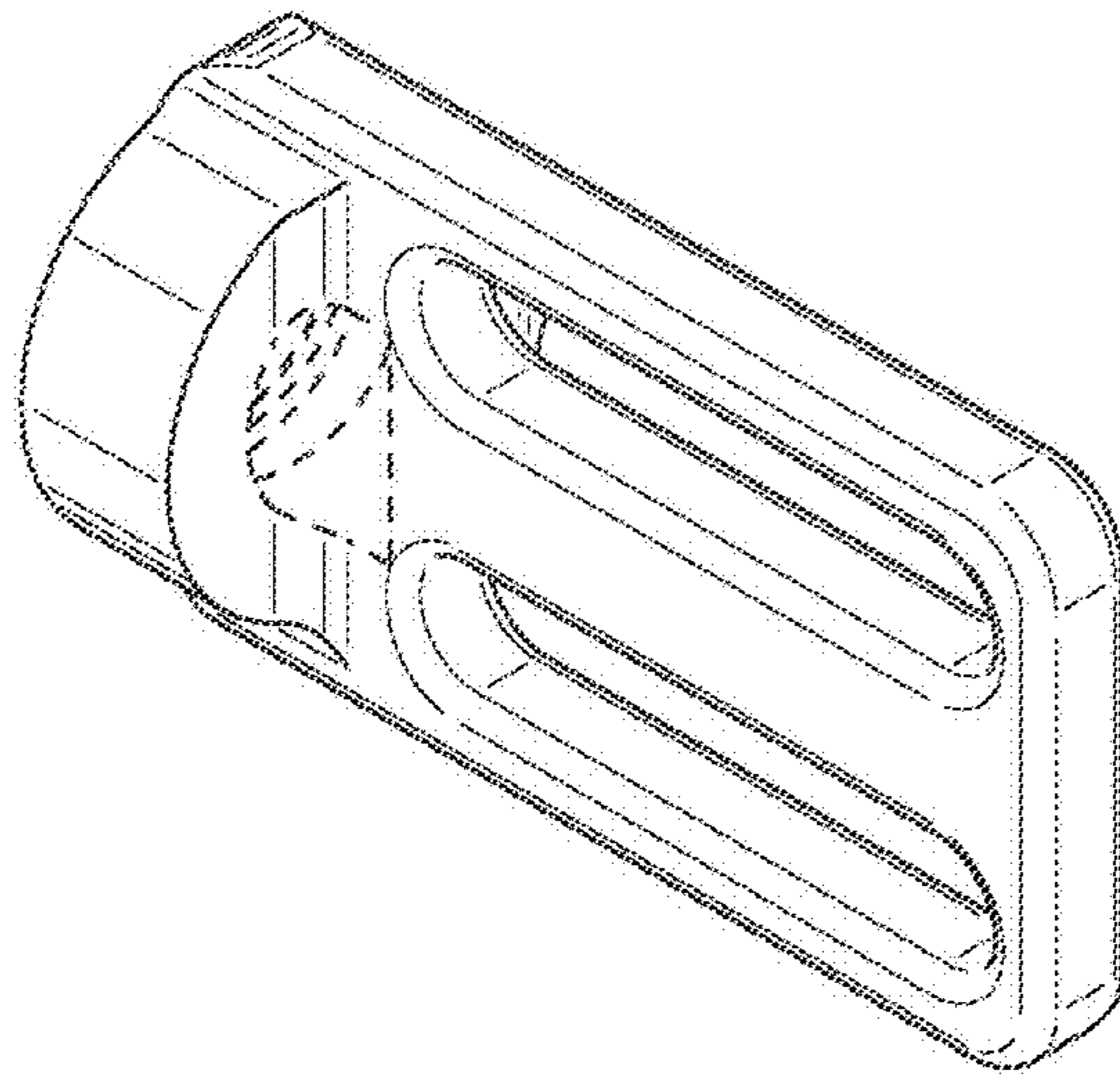


FIG. 1

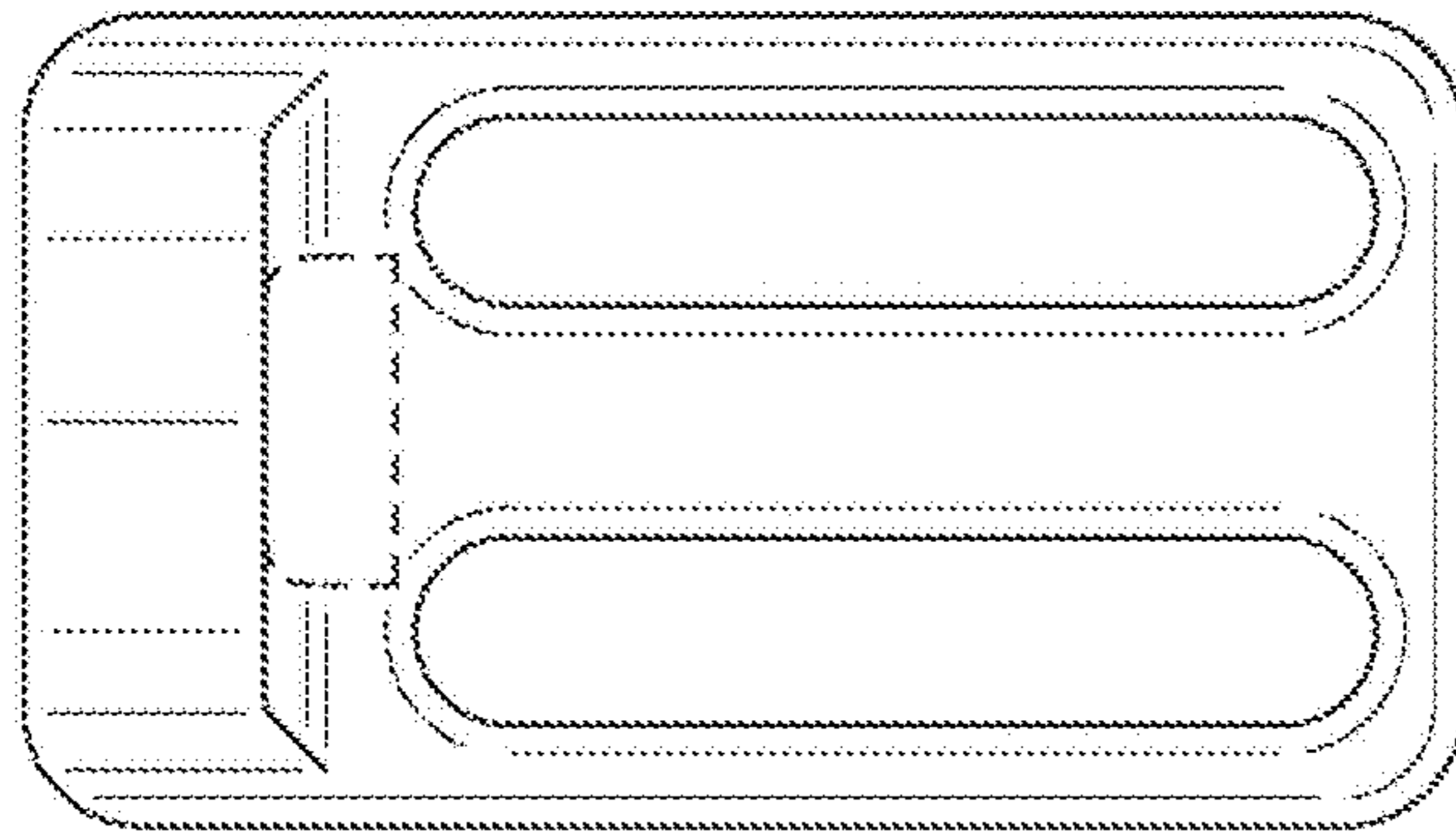


FIG. 2

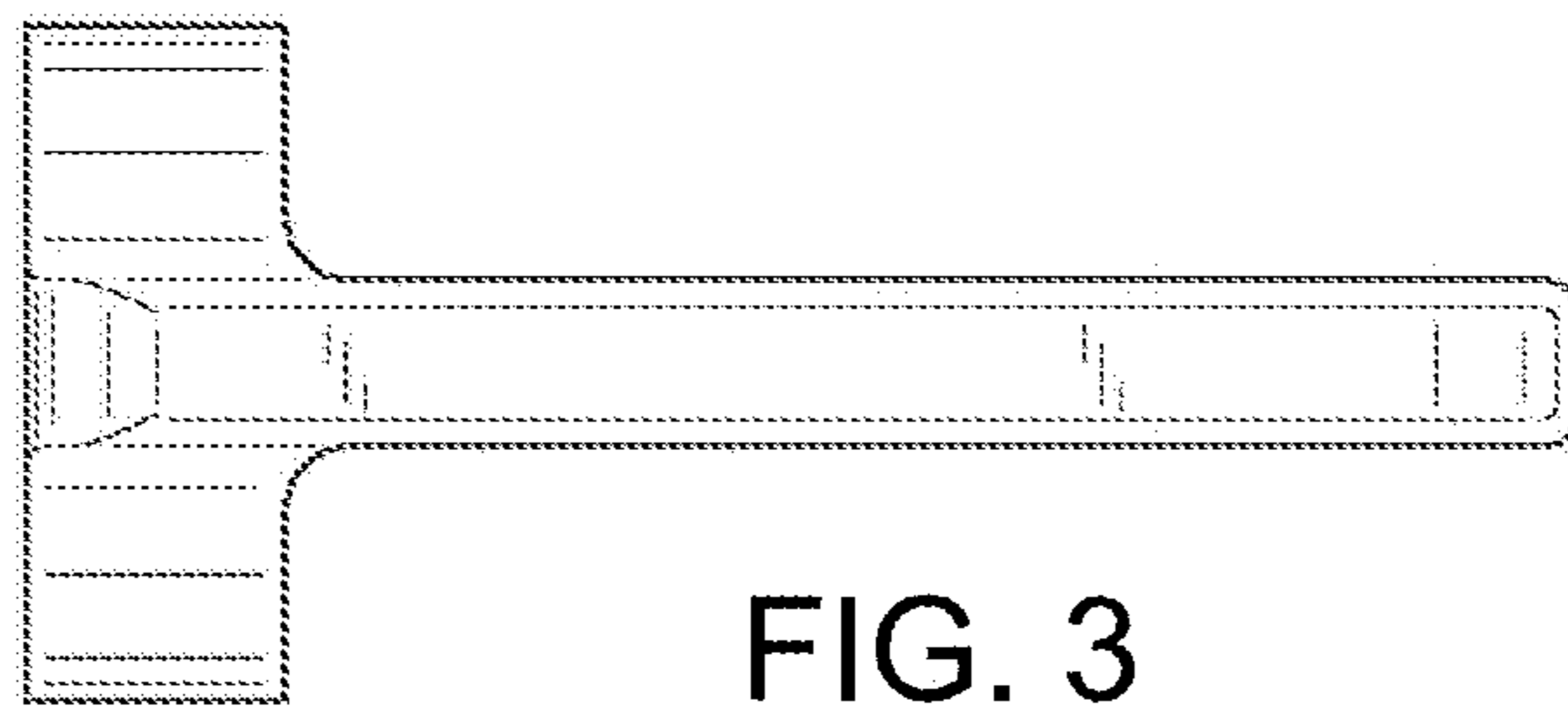


FIG. 3

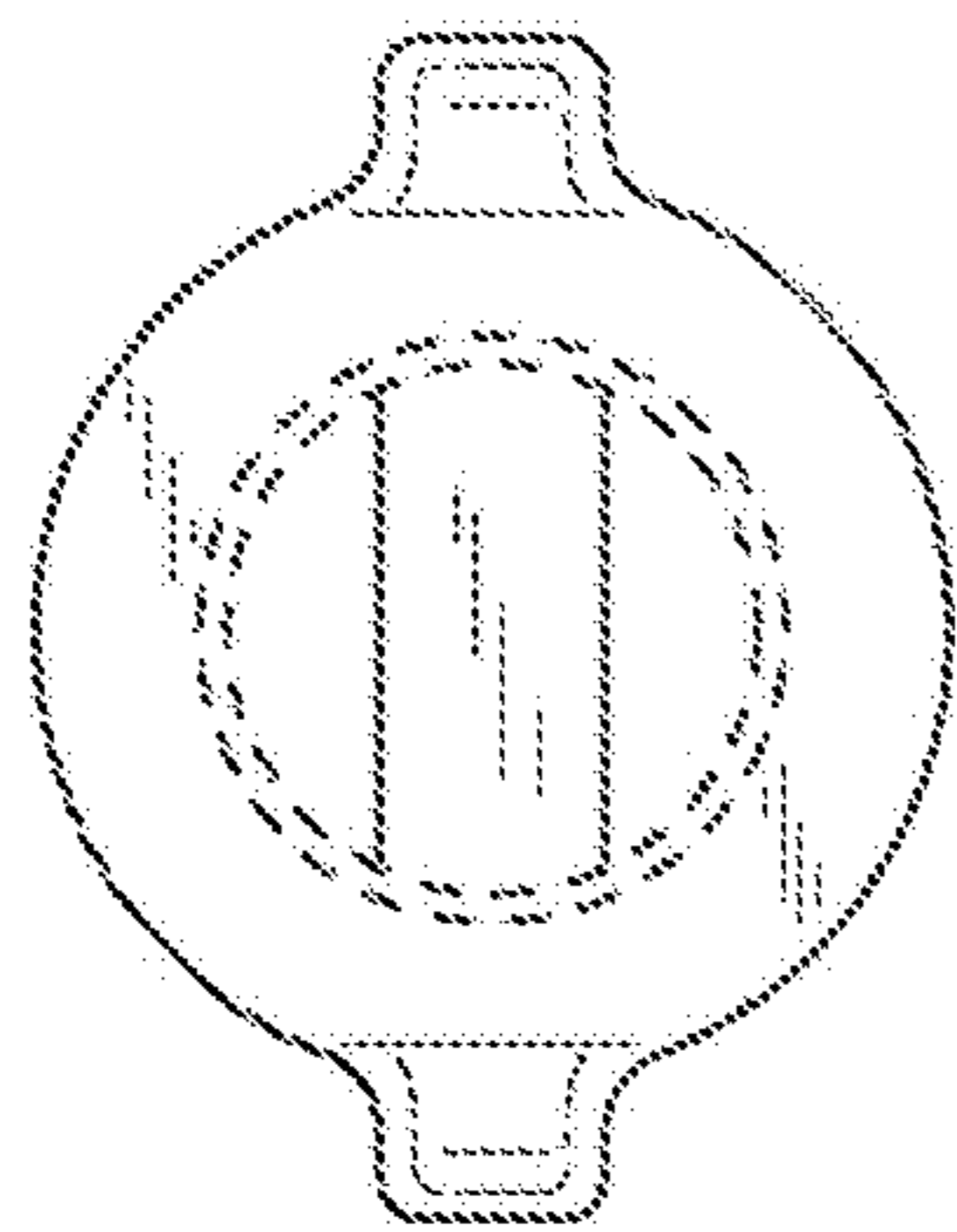


FIG. 4

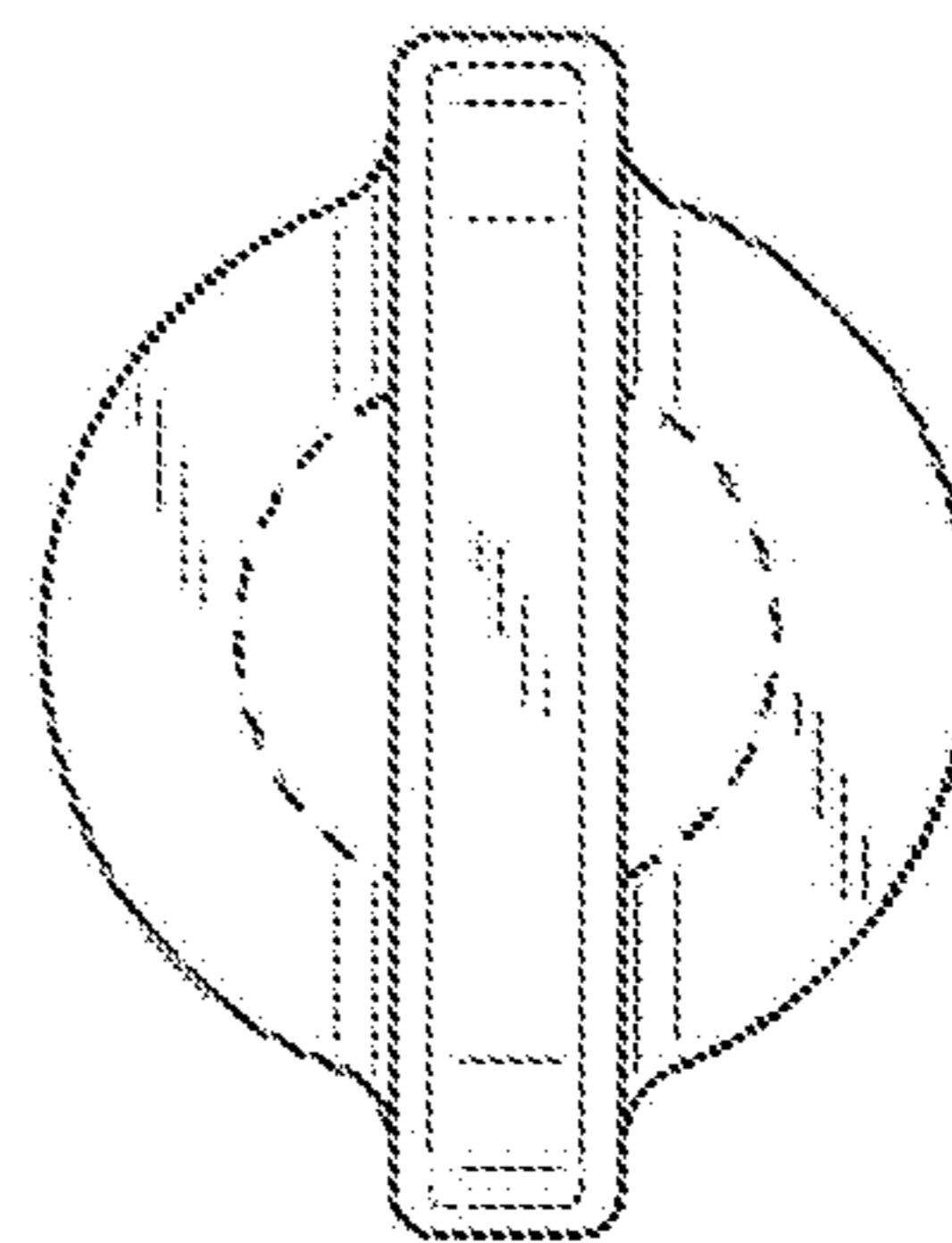


FIG. 5