



US00D753781S

(12) **United States Design Patent**
Cauley, Jr. et al.

(10) **Patent No.:** **US D753,781 S**
(45) **Date of Patent:** **** Apr. 12, 2016**

(54) **FIREARM MAGAZINE LOADER**

1,840,477 A 1/1932 Von Frommer
2,191,130 A 2/1940 Ludwig
2,345,593 A 4/1944 Garand
2,487,040 A 11/1949 Bilideau
2,783,570 A 3/1957 Kunz
3,099,958 A 8/1963 Daubenspeck et al.

(71) Applicant: **Battenfeld Technologies, Inc.**,
Columbia, MO (US)

(72) Inventors: **Dennis W. Cauley, Jr.**, Booneville, MO
(US); **Michael Poehlman**, Columbia,
MO (US); **Adam J. Birk**, Hallsville, MO
(US); **James Gianladis**, Harrisburg, MO
(US); **Matthew Kinamore**, Columbia,
MO (US)

(Continued)

FOREIGN PATENT DOCUMENTS

EP 0205661 A2 12/1986
GB 379179 8/1932

(Continued)

(73) Assignee: **Battenfeld Technologies, Inc.**,
Columbia, MO (US)

OTHER PUBLICATIONS

(**) Term: **14 Years**

International Search Report in related application PCT/US2014/
027953 dated Jul. 18, 2014, 3 pages.

(Continued)

(21) Appl. No.: **29/495,091**

(22) Filed: **Jun. 26, 2014**

Primary Examiner — Michael A Pratt
(74) *Attorney, Agent, or Firm* — Senniger Powers LLP

Related U.S. Application Data

(63) Continuation of application No.
PCT/US2014/027953, filed on Mar. 14, 2014.

(51) **LOC (10) Cl.** **22-01**

(52) **U.S. Cl.**
USPC **D22/108**

(58) **Field of Classification Search**
USPC D22/108; 42/87–88
CPC F41A 9/82; F41A 9/83; F41A 9/84;
F41A 9/85

See application file for complete search history.

(56) **References Cited**

U.S. PATENT DOCUMENTS

452,447 A 5/1891 Bruce
1,178,785 A 4/1916 Debuchy
1,786,537 A 12/1930 Holek

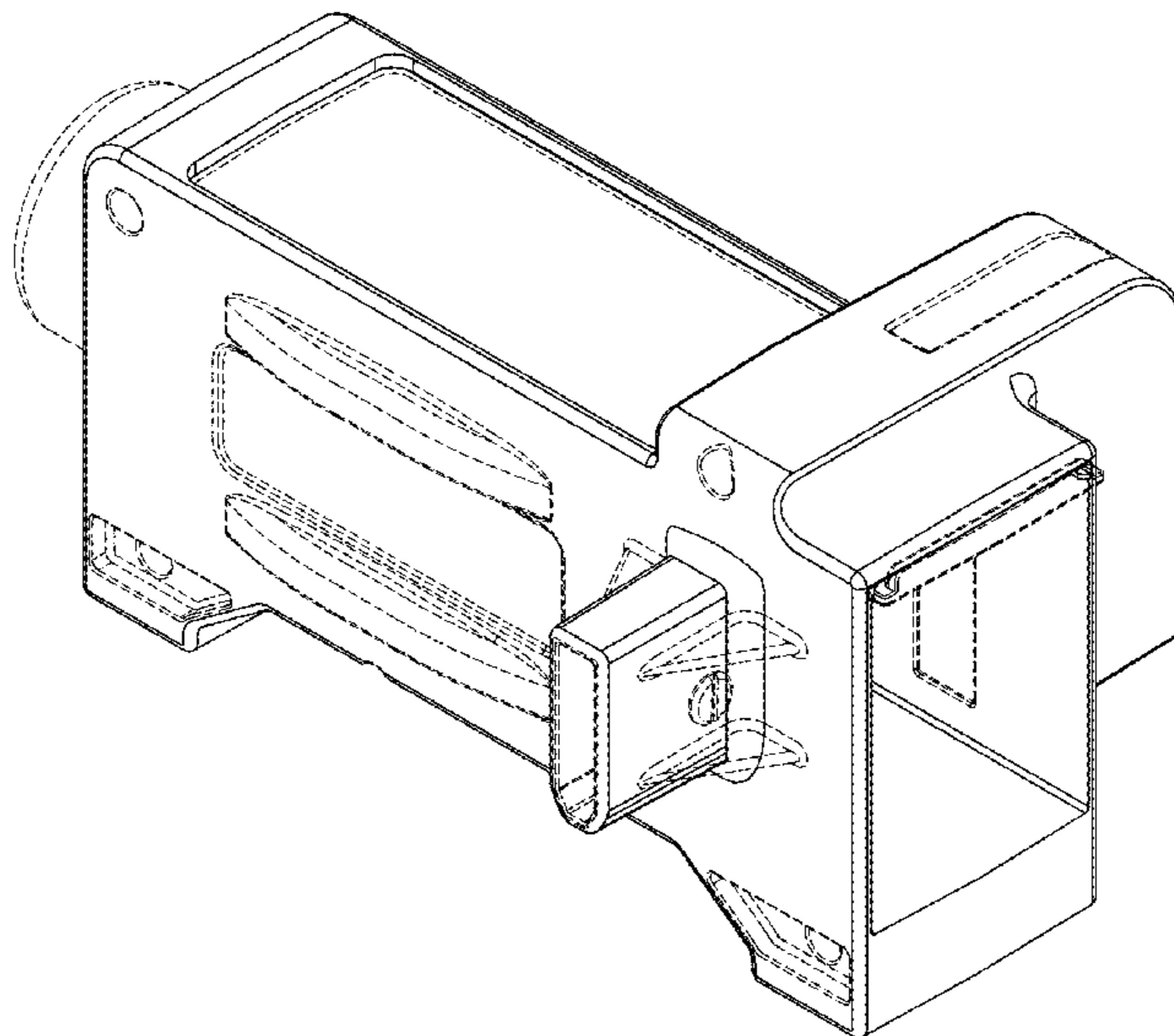
(57) **CLAIM**

The ornamental design for a firearm magazine loader, as
shown and described.

DESCRIPTION

FIG. 1 is a front perspective of a first embodiment of a firearm
magazine loader of our new design;
FIG. 2 is a front elevation of the firearm magazine loader;
FIG. 3 is a top view of the firearm magazine loader;
FIG. 4 is a right side elevation of the firearm magazine loader;
FIG. 5 is a rear elevation of the firearm magazine loader;
FIG. 6 is a bottom view of the firearm magazine loader; and,
FIG. 7 is a left side elevation of the firearm magazine loader.
Features forming no part of the claimed design are illustrated
in broken lines.

1 Claim, 7 Drawing Sheets



(56)

References Cited

U.S. PATENT DOCUMENTS

4,506,588 A 3/1985 Kazanjy
 4,538,371 A 9/1985 Howard
 4,574,511 A 3/1986 Csongor
 4,706,402 A 11/1987 Csongor
 4,707,941 A 11/1987 Eastman
 4,726,296 A 2/1988 Leshner et al.
 4,739,572 A 4/1988 Brandenburg
 4,879,829 A 11/1989 Miller et al.
 4,939,862 A 7/1990 Brandenburg
 4,949,495 A 8/1990 Mari
 4,970,820 A 11/1990 Miller et al.
 5,301,449 A 4/1994 Jackson
 5,319,872 A * 6/1994 Bammate 42/88
 5,402,594 A * 4/1995 Switzer 42/90
 5,563,365 A 10/1996 Dineen et al.
 5,669,171 A * 9/1997 Sally 42/87
 6,754,987 B1 6/2004 Cheng et al.
 6,810,616 B2 11/2004 Tal et al.
 7,059,077 B2 6/2006 Tal et al.
 7,805,874 B2 10/2010 Tal et al.
 7,866,080 B2 1/2011 Tucker
 8,453,366 B2 6/2013 Gray
 8,484,874 B2 7/2013 Kim
 8,650,792 B1 * 2/2014 Overmars 42/87
 D715,888 S 10/2014 Padgett
 8,915,007 B1 * 12/2014 Williams 42/88
 8,931,199 B1 1/2015 Cauley, Jr. et al.
 9,003,687 B2 4/2015 Cauley, Jr. et al.
 2004/0020096 A1 * 2/2004 Tal et al. 42/87
 2004/0159036 A1 * 8/2004 Newman 42/87
 2007/0017140 A1 * 1/2007 Pikielny 42/87
 2012/0192477 A1 8/2012 Kim
 2012/0222343 A1 9/2012 Kim
 2013/0067788 A1 3/2013 Gray

2013/0232843 A1 * 9/2013 Bajuelo 42/87
 2014/0033592 A1 2/2014 Fiorucci
 2014/0223792 A1 * 8/2014 Socivoi 42/50
 2014/0298704 A1 * 10/2014 Niccum 42/87
 2014/0317985 A1 * 10/2014 Cauley et al. 42/87
 2014/0373421 A1 * 12/2014 Hatch 42/87
 2014/0373744 A1 12/2014 Padgett et al.
 2015/0075053 A1 3/2015 Kim
 2015/0219415 A1 8/2015 Cauley, Jr. et al.

FOREIGN PATENT DOCUMENTS

KR 102011011338 A 10/2011
 WO 8503119 7/1985

OTHER PUBLICATIONS

Written Opinion in related application PCT/US2014/027953 dated Jul. 18, 2014, 16 pages.
 Office action in related U.S. Appl. No. 14/329,677, dated Oct. 23, 2014, 5 pages.
 Amazon.com: ProMag RD USGI Magazine Loader, Black Polymer, <http://www.amazon.com/ProMag-Magazine-Loader-Black-Polymer/dp/B002IWRFLK>, 2 pages, [internet accessed Jul. 15, 2014].
 McFadden Machine Company Incorporated Clip Loader, The Ultimate Clip Loader, <http://www.mcfaden.com/cliploader.html>, 3 pages, [internet accessed Jul. 15, 2014].
 Youtube, 3pointi.com Box-to-Mag Loader, 3 screenshots of video, <https://www.youtube.com/watch?v=2m1rYDpiQIw>, 1 page, video uploaded Jun. 21, 2011.
 Three Point Innovation's Box-to-Mag AR-15 Speed Loader—The Firearm Blog, <http://www.thefirearmblog.com/blog/2011/06/30/three-point-innovations-box-to-mag-ar-15-speed-loader/>, 2 pages, posted Jun. 30, 2011.

* cited by examiner

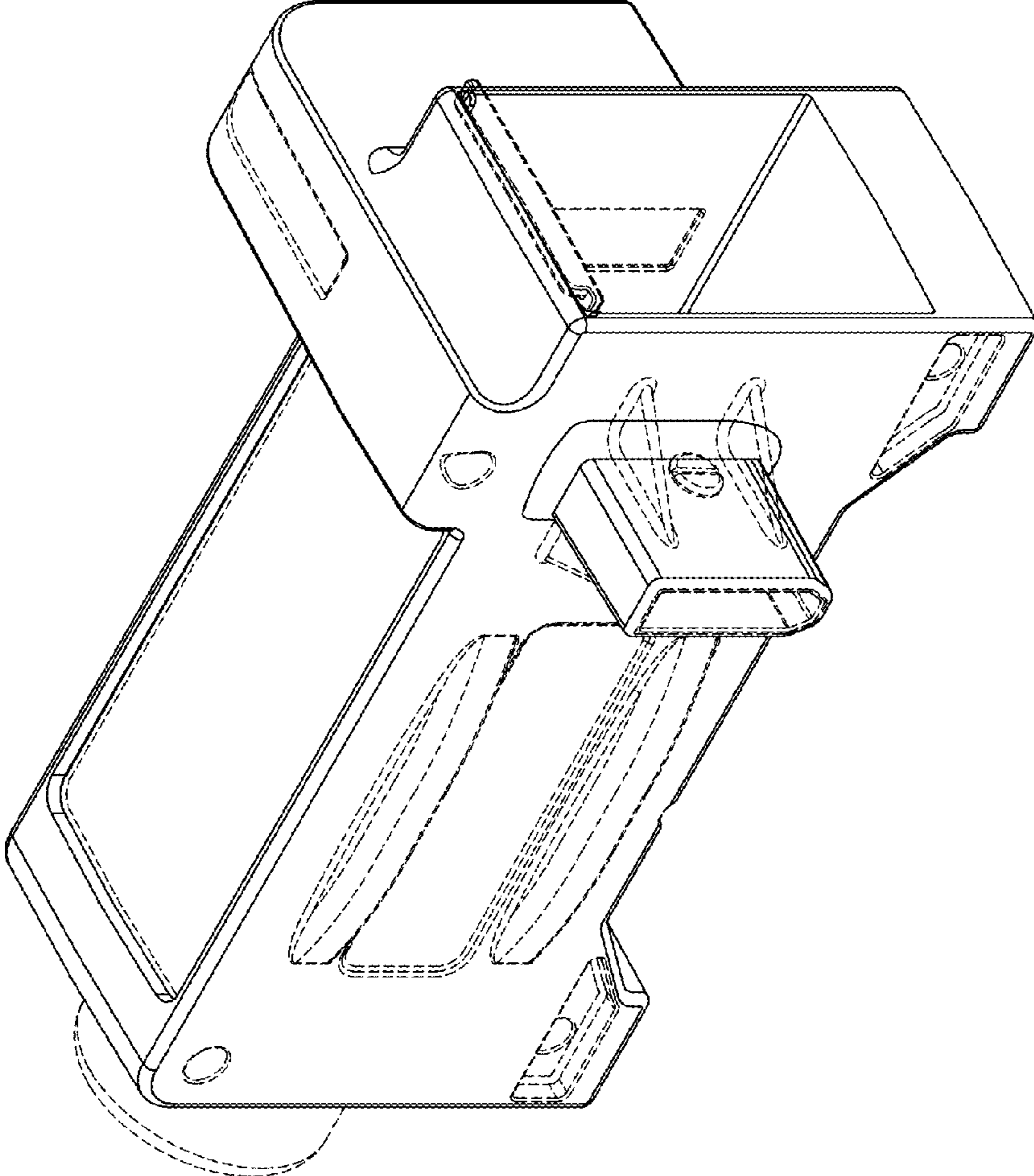


FIG. 1

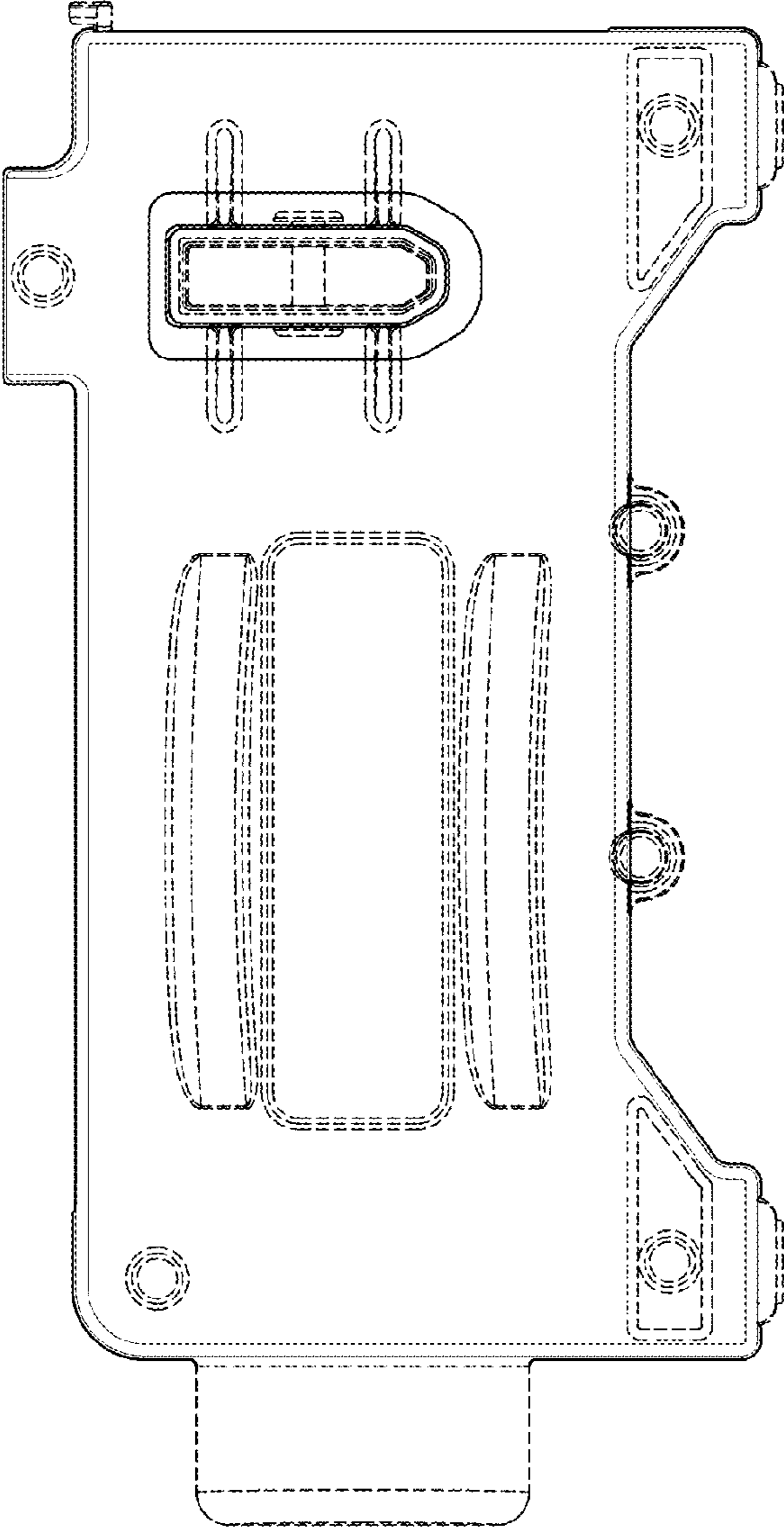


FIG. 2

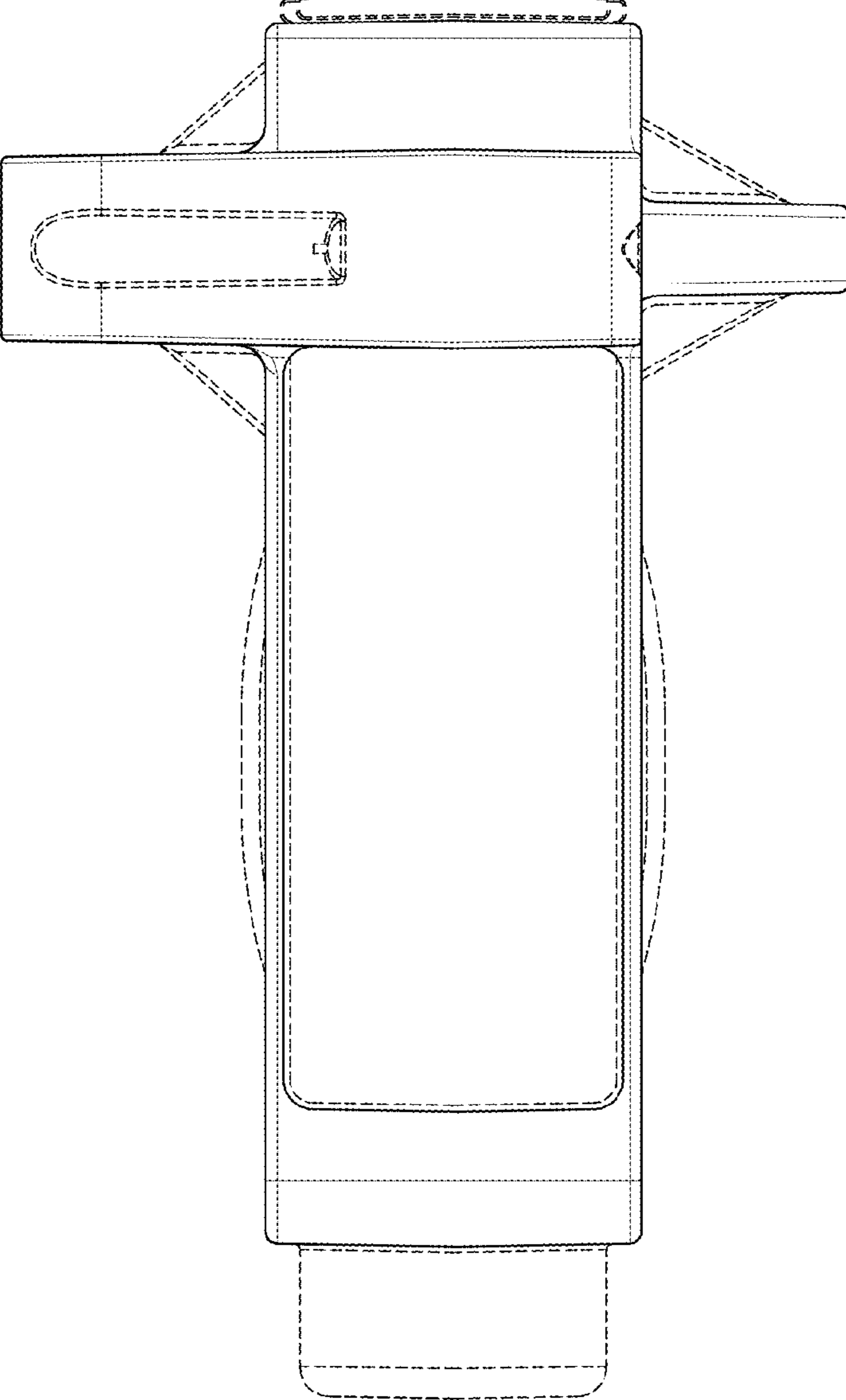
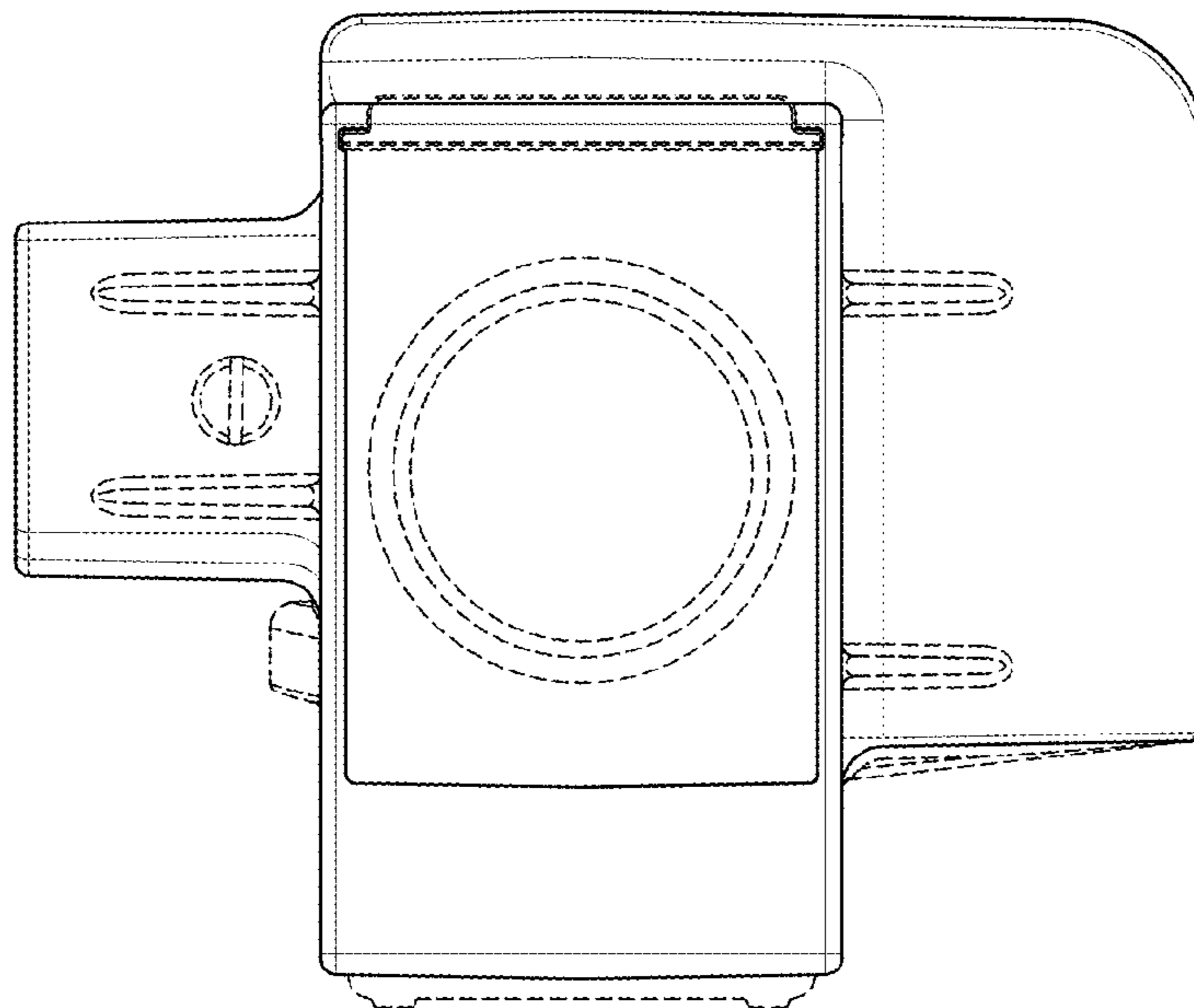


FIG. 3

FIG. 4



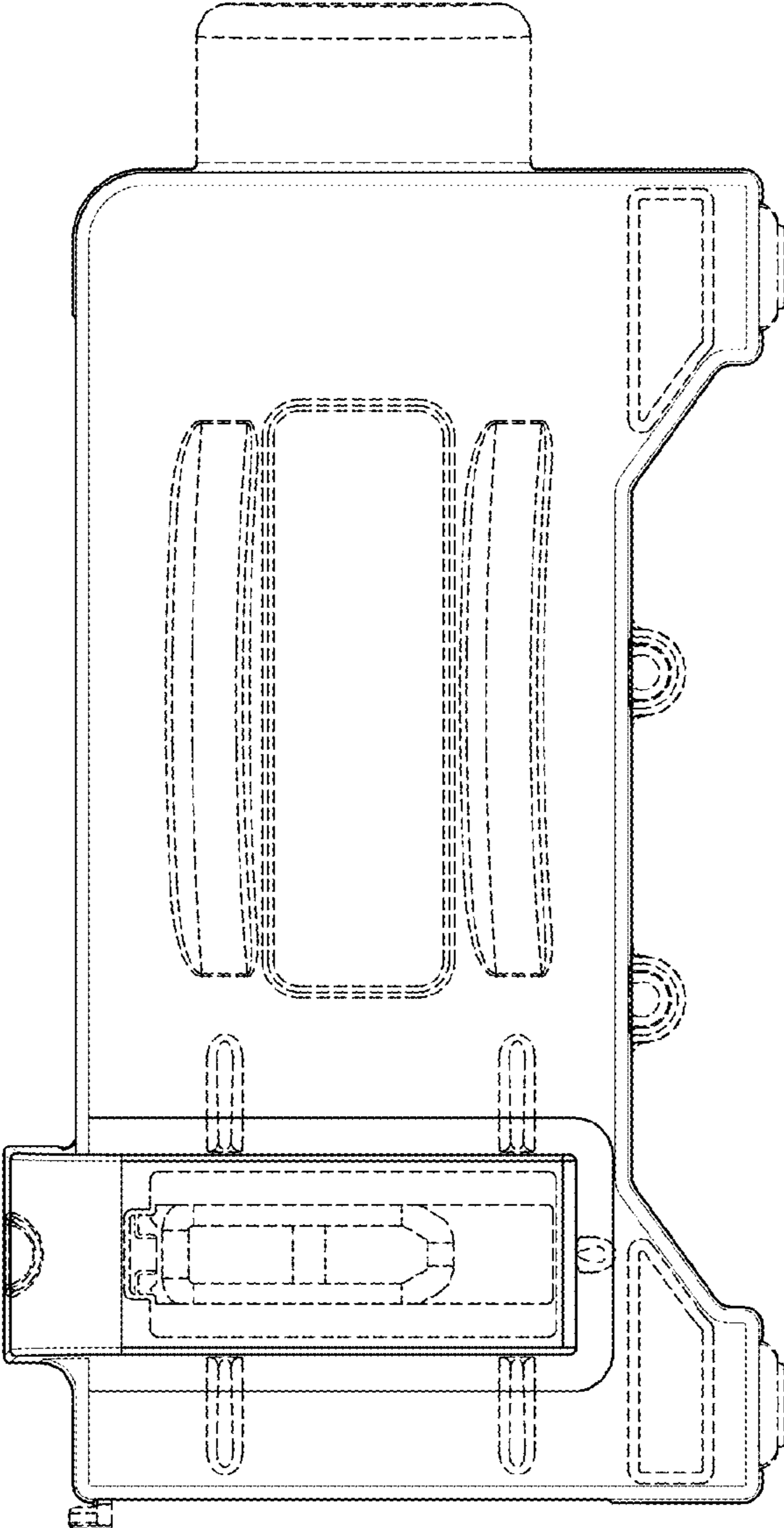


FIG. 5

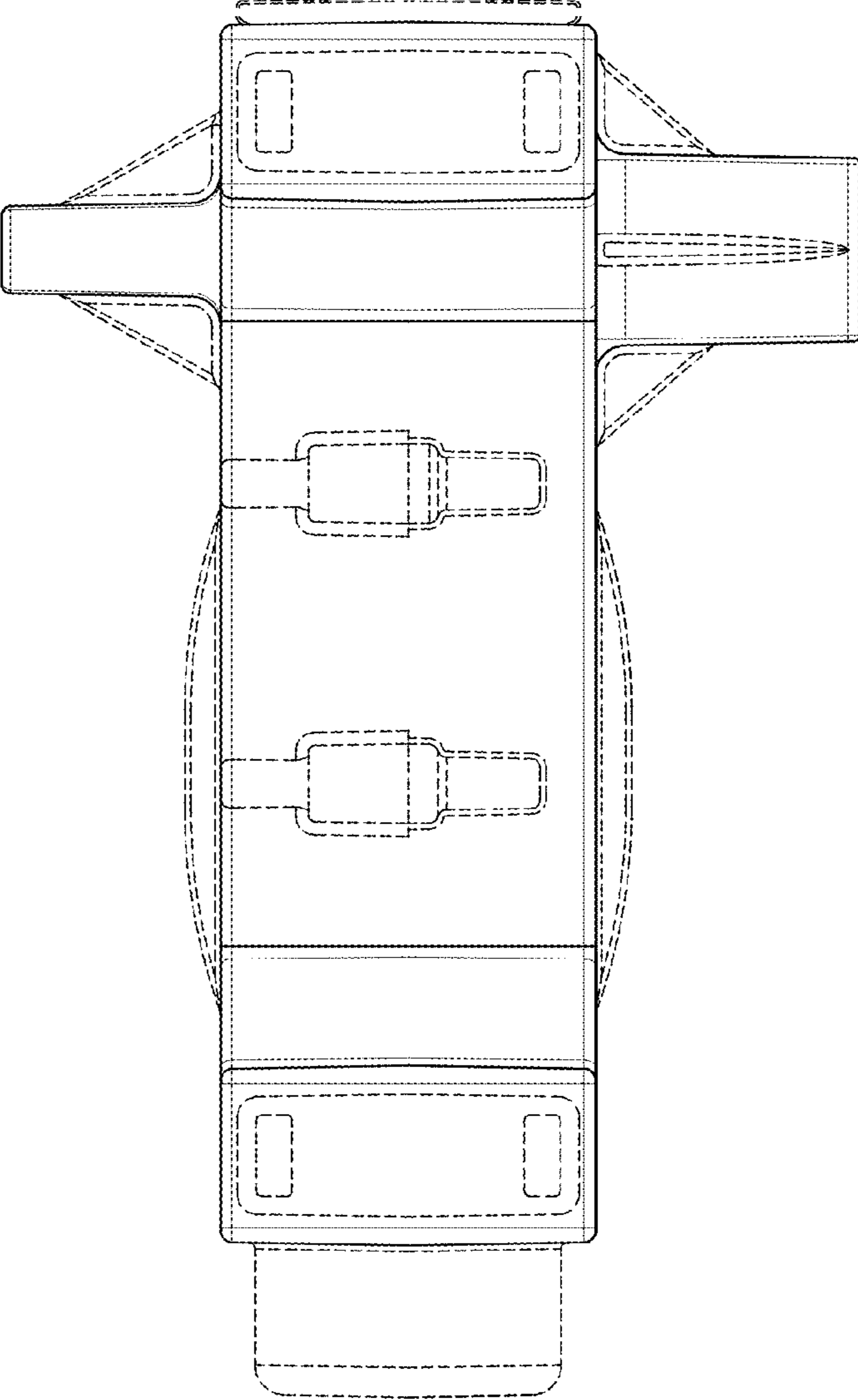


FIG. 6

FIG. 7

