



US00D753780S

(12) **United States Design Patent**
Rubey

(10) **Patent No.:** **US D753,780 S**
(45) **Date of Patent:** **** Apr. 12, 2016**

(54) **FLOTATION DEVICE**
(71) Applicant: **TRC Recreation, LP**, Wichita Falls, TX (US)
(72) Inventor: **Ulyss Ray Rubey**, Graham, TX (US)
(73) Assignee: **TRC Recreation, LP**, Wichita Falls, TX (US)
(**) Term: **14 Years**
(21) Appl. No.: **29/511,074**

5,443,409 A 8/1995 Adamson
D363,968 S 11/1995 Koellner
5,562,514 A 10/1996 Rowe
D377,821 S 2/1997 Kuan
5,685,753 A 11/1997 Canela et al.
D387,104 S 12/1997 Voldmester
D418,893 S 1/2000 Peng
6,027,393 A 2/2000 O'Rourke
D422,332 S 4/2000 Zeilinger
6,692,322 B1 2/2004 Heatherly
D574,917 S 8/2008 Parham
7,425,190 B2 9/2008 Kolarick et al.
D705,375 S * 5/2014 Rubey D21/803
D707,320 S * 6/2014 Rubey D21/803
D736,335 S * 8/2015 Liberatore D21/803

(22) Filed: **Dec. 5, 2014**
(51) **LOC (10) Cl.** **21-02**
(52) **U.S. Cl.**
USPC **D21/803**
(58) **Field of Classification Search**
USPC D21/769-770, 801, 803, 809; 114/253,
114/345-346; 441/35, 66, 74, 40-42,
441/129-132; 472/128-129; D12/5, 6, 316;
D6/392, 595, 596, 601, 604, 605
CPC B63B 35/74; B63B 35/76; B63B 35/78;
B63B 35/79; B63B 35/7906; B63B 35/7909;
B63B 35/7913; B63B 35/7916; B63B 35/792;
B63B 35/7923; B63B 35/7926; B63B 35/793
See application file for complete search history.

* cited by examiner

Primary Examiner — Zenia Bennett
(74) *Attorney, Agent, or Firm* — Scott T. Griggs; Griggs Bergen LLP

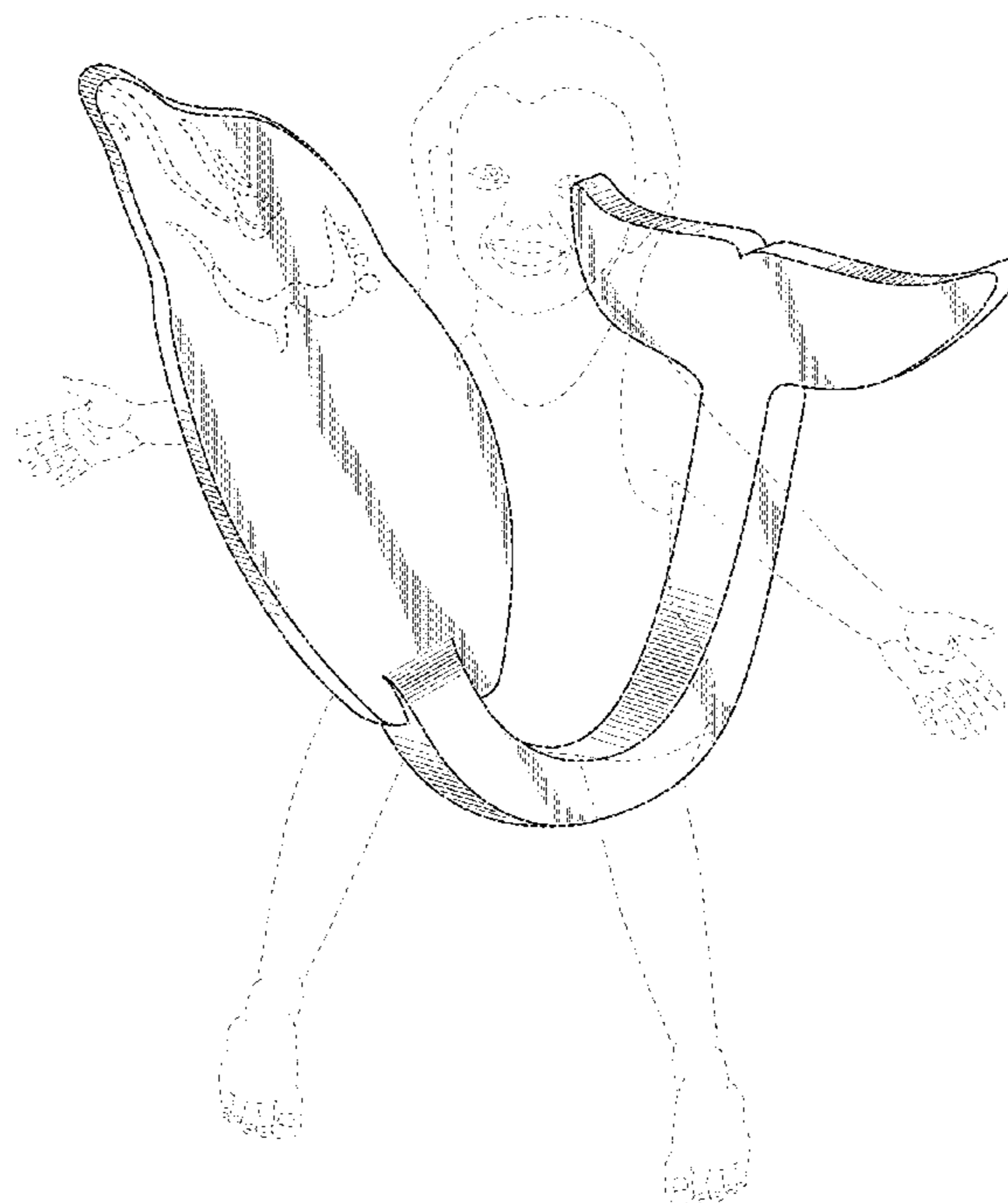
(56) **References Cited**
U.S. PATENT DOCUMENTS
D199,572 S 11/1964 Williams
4,768,774 A * 9/1988 Beasley A63B 1/0084
441/129
D359,620 S 6/1995 Spangler

(57) **CLAIM**
The ornamental design for a flotation device, as shown and described.

DESCRIPTION

FIG. 1 depicts a front perspective view of the flotation device; FIG. 2 depicts a side elevation view of the flotation device; FIG. 3 depicts a top plan view of the flotation device; FIG. 4 depicts a bottom plan view of the flotation device; FIG. 5 depicts a front elevation view of the flotation device; and, FIG. 6 depicts a rear elevation view of the flotation device. The dashed and dotted lines shown are provided for environmental purposes only and form no part of the claimed design.

1 Claim, 2 Drawing Sheets



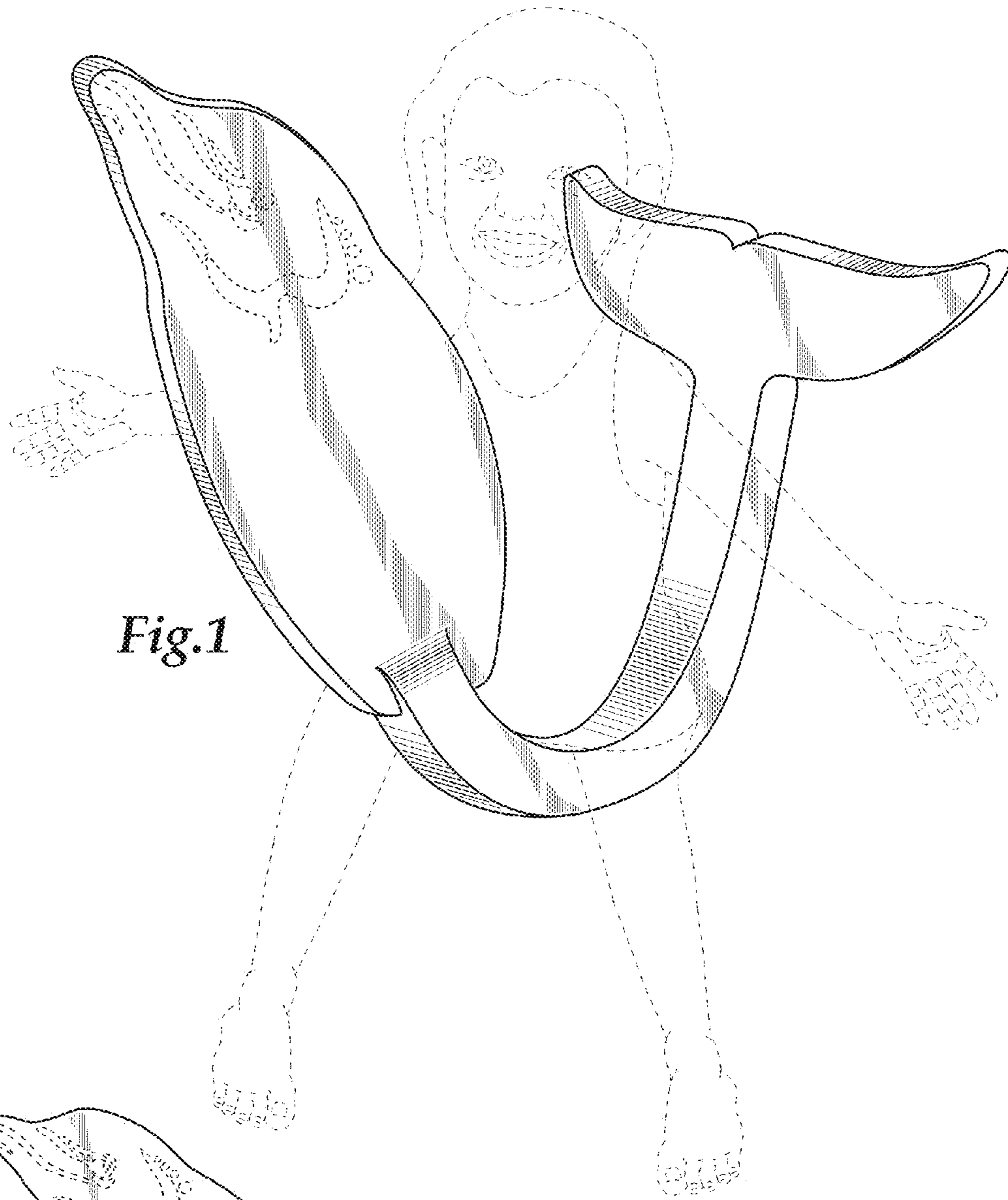


Fig.1

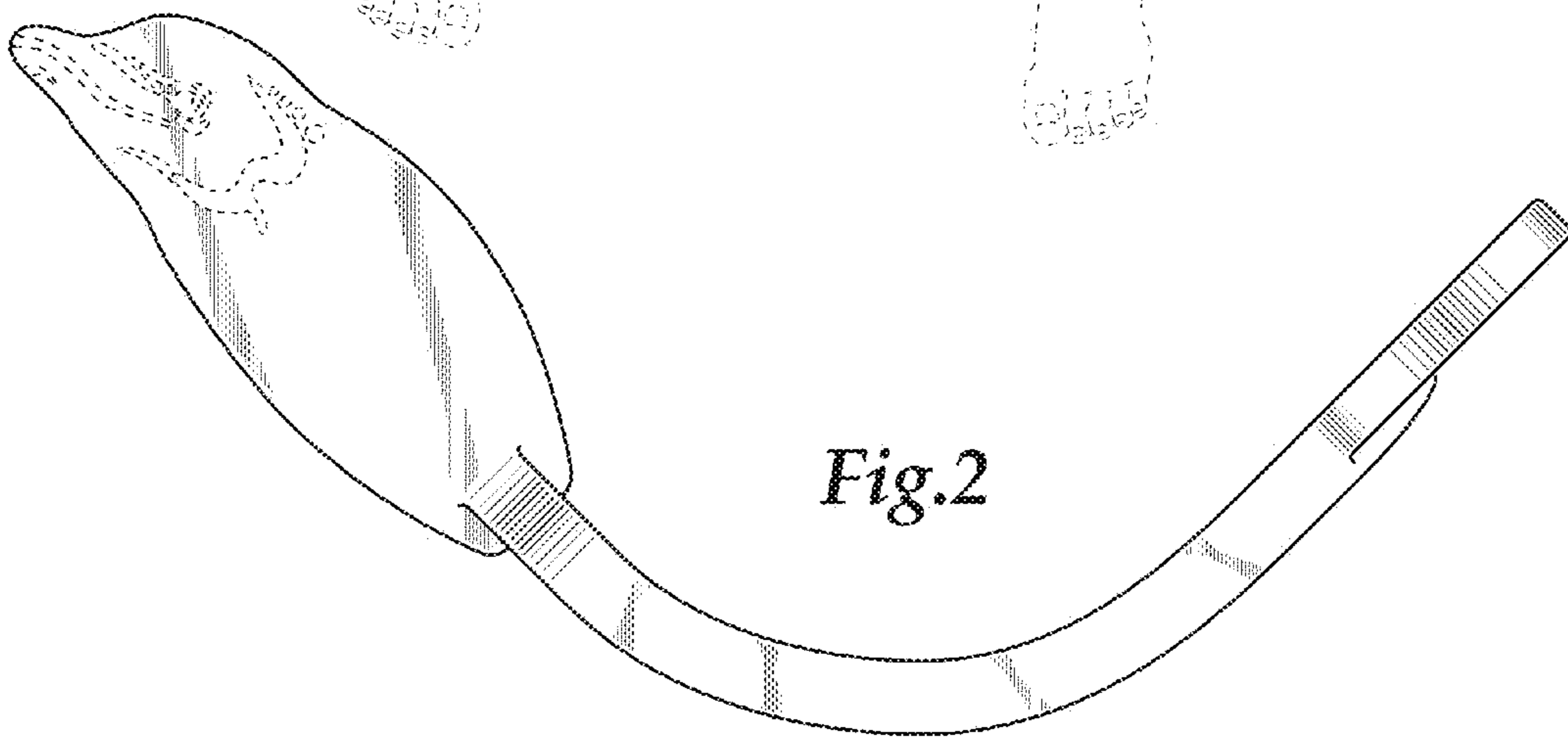


Fig.2

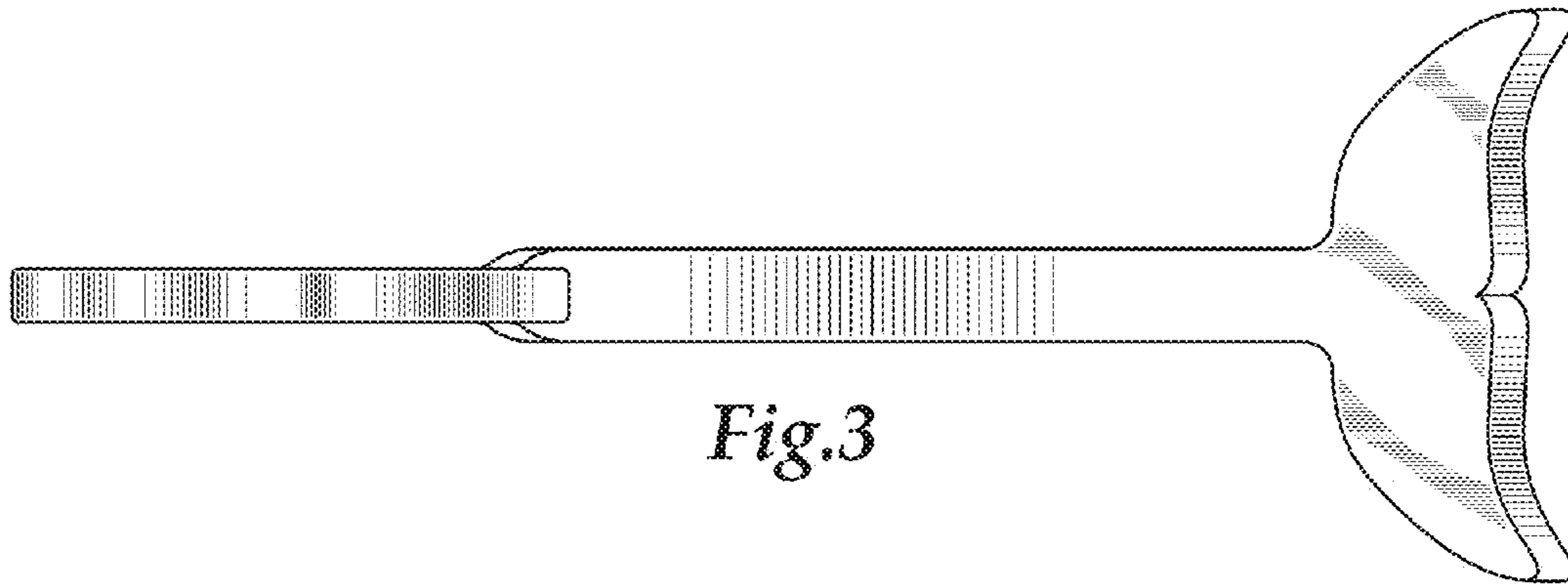


Fig.3

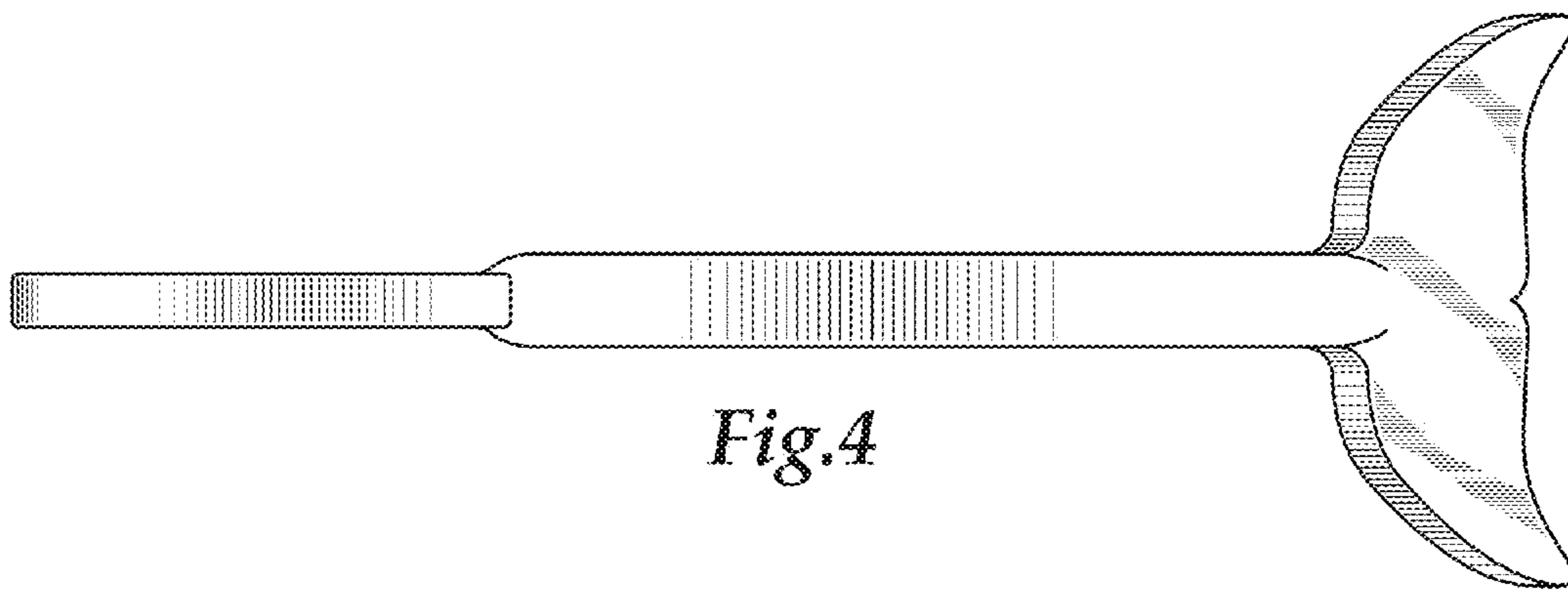


Fig.4

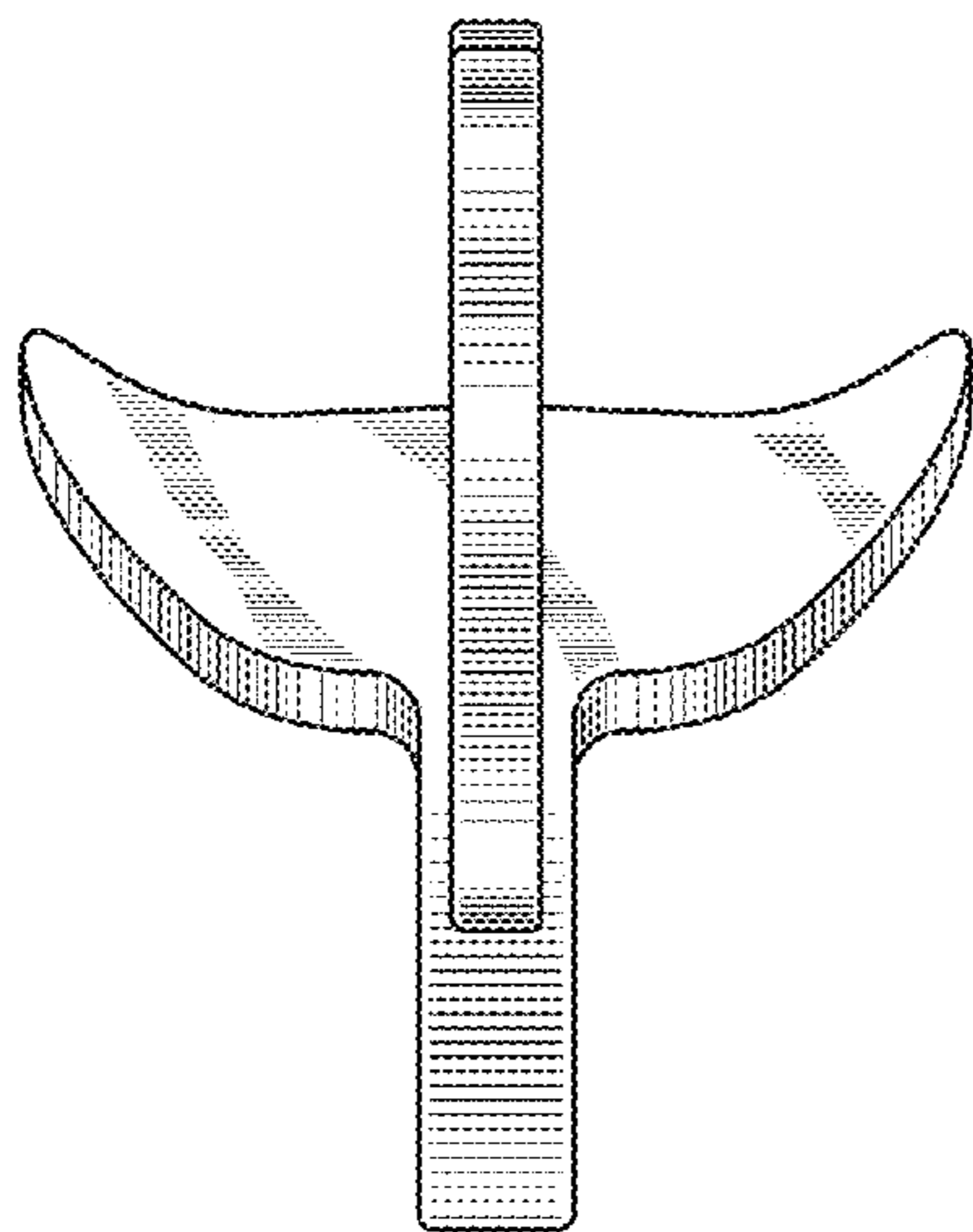


Fig.5

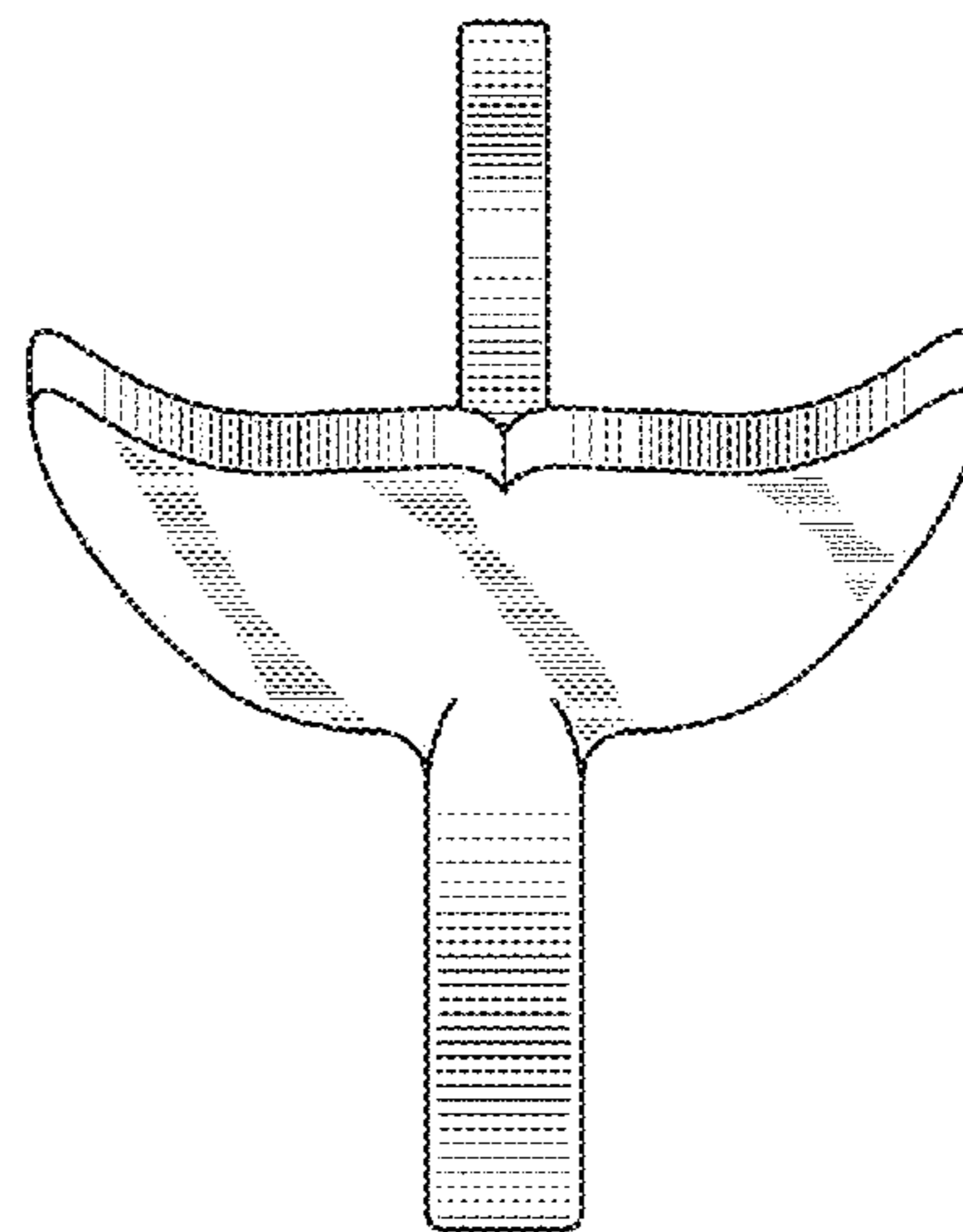


Fig.6