



US00D753778S

(12) **United States Design Patent**
Toomey

(10) **Patent No.:** **US D753,778 S**

(45) **Date of Patent:** **** Apr. 12, 2016**

(54) **PUCK VISOR HOCKEY TRAINING TOOL**

(71) Applicant: **Kevin Toomey**, Lawrence, MA (US)

(72) Inventor: **Kevin Toomey**, Lawrence, MA (US)

(**) Term: **14 Years**

(21) Appl. No.: **29/518,542**

(22) Filed: **Feb. 25, 2015**

(51) **LOC (10) Cl.** **21-02**

(52) **U.S. Cl.**
USPC **D21/698**

(58) **Field of Classification Search**
USPC D21/698, 780, 781, 788, 791
CPC A63B 69/00; A63B 69/0024; A63B
69/0026; A63B 69/0059; A63B 69/3608;
A63B 2102/24

See application file for complete search history.

(56) **References Cited**

U.S. PATENT DOCUMENTS

4,688,800	A *	8/1987	Lopez	A63B 69/3608 473/215
4,739,991	A *	4/1988	Flinn, Jr.	A63B 69/3608 2/209.3
4,852,882	A *	8/1989	Otsuka	A63B 69/3608 473/210
4,883,276	A *	11/1989	Brown	A63B 69/0059 473/215
5,135,446	A *	8/1992	Cooley	A63B 69/0026 2/463
5,171,152	A *	12/1992	McCleery	A63B 69/3608 2/209.13
D364,911	S *	12/1995	Todaro	D21/791
5,658,203	A *	8/1997	Shub	A63B 69/0059 473/205
6,887,170	B2 *	5/2005	Stauber	A63B 69/0024 473/422
7,322,693	B2 *	1/2008	Abraham	A61F 9/045 2/15
7,648,430	B2 *	1/2010	Gagnon	A63B 69/0002 428/914

7,896,756	B2 *	3/2011	Choi	A63B 69/0057 473/207
7,942,755	B2 *	5/2011	Diley	A63B 69/3608 473/215
D706,888	S *	6/2014	Gideon	D21/698
8,740,730	B1 *	6/2014	Przyborowski	A63B 69/0059 473/438
2012/0190481	A1 *	7/2012	Bernard	A63B 69/0002 473/422

* cited by examiner

Primary Examiner — Catherine Tuttle

(74) *Attorney, Agent, or Firm* — Daniel N. Smith

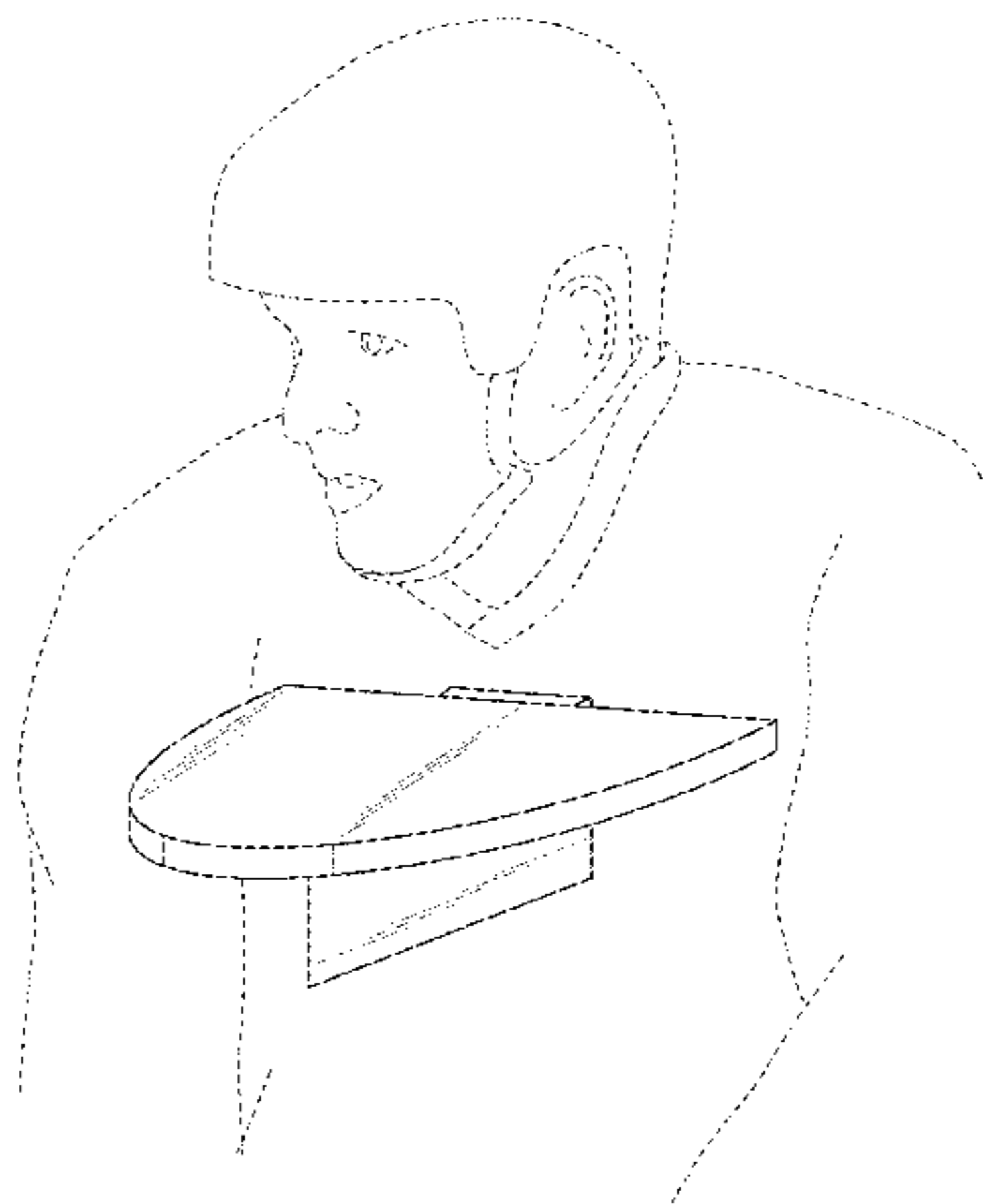
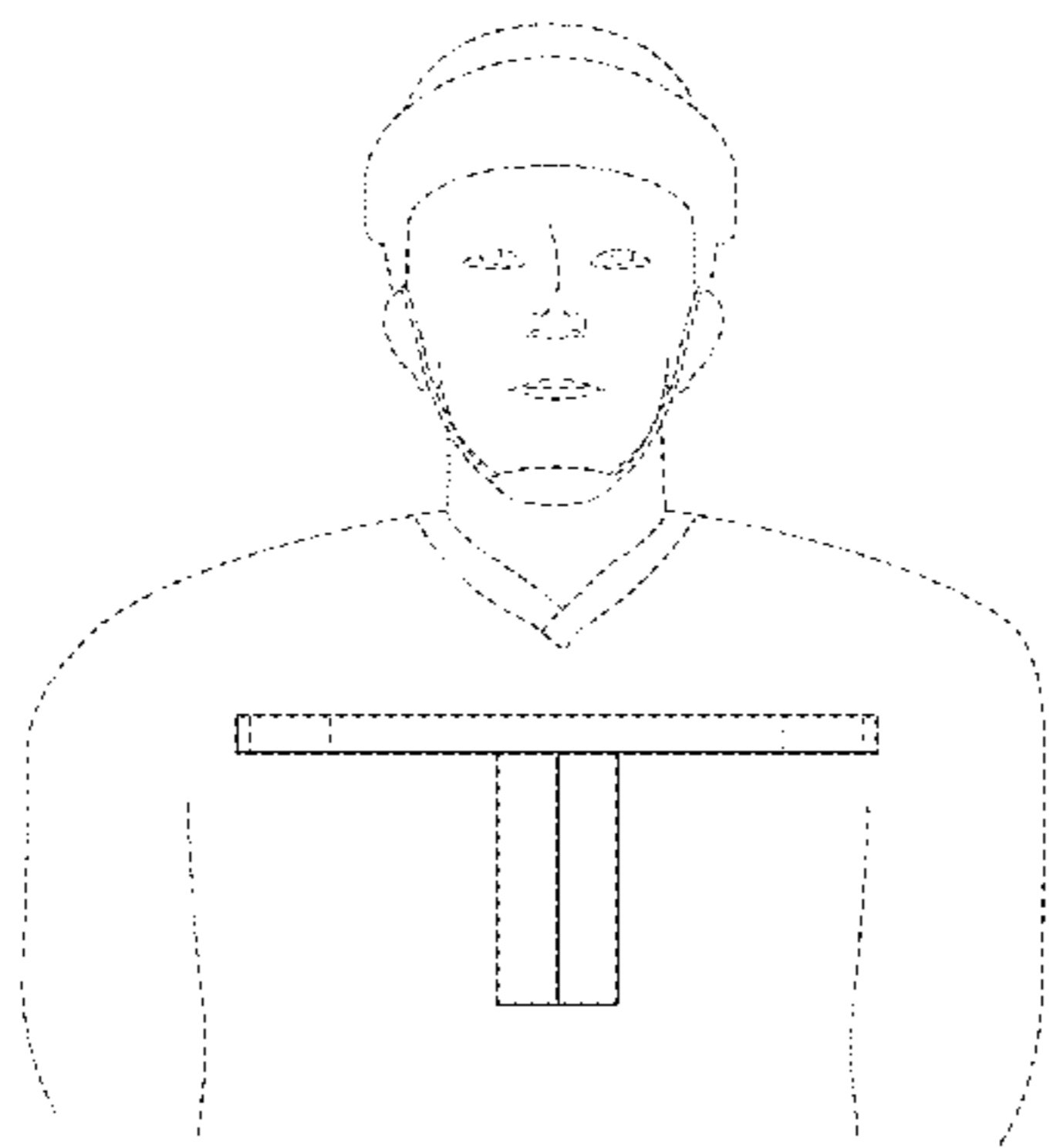
(57) **CLAIM**

The ornamental design for a puck visor hockey training tool, as shown and described.

DESCRIPTION

FIG. 1 is a front view of a puck visor hockey training tool, showing my new design;
 FIG. 2 is a rear view of the puck visor hockey training tool;
 FIG. 3 is a top view of the puck visor hockey training tool;
 FIG. 4 is a bottom view of the puck visor hockey training tool;
 FIG. 5 is a left-side view of the puck visor hockey training tool;
 FIG. 6 is a right-side view of the puck visor hockey training tool;
 FIG. 7 is a front view of the puck visor hockey training tool, shown in use on a hockey jersey; and,
 FIG. 8 is a top isometric view of the puck visor hockey training tool, shown in use on a hockey jersey.
 The broken lines showing the human figure with jersey in FIGS. 7 and 8 form no part of the claimed design, but are included for the purpose of illustrating the puck visor hockey training tool in its environment.

1 Claim, 5 Drawing Sheets



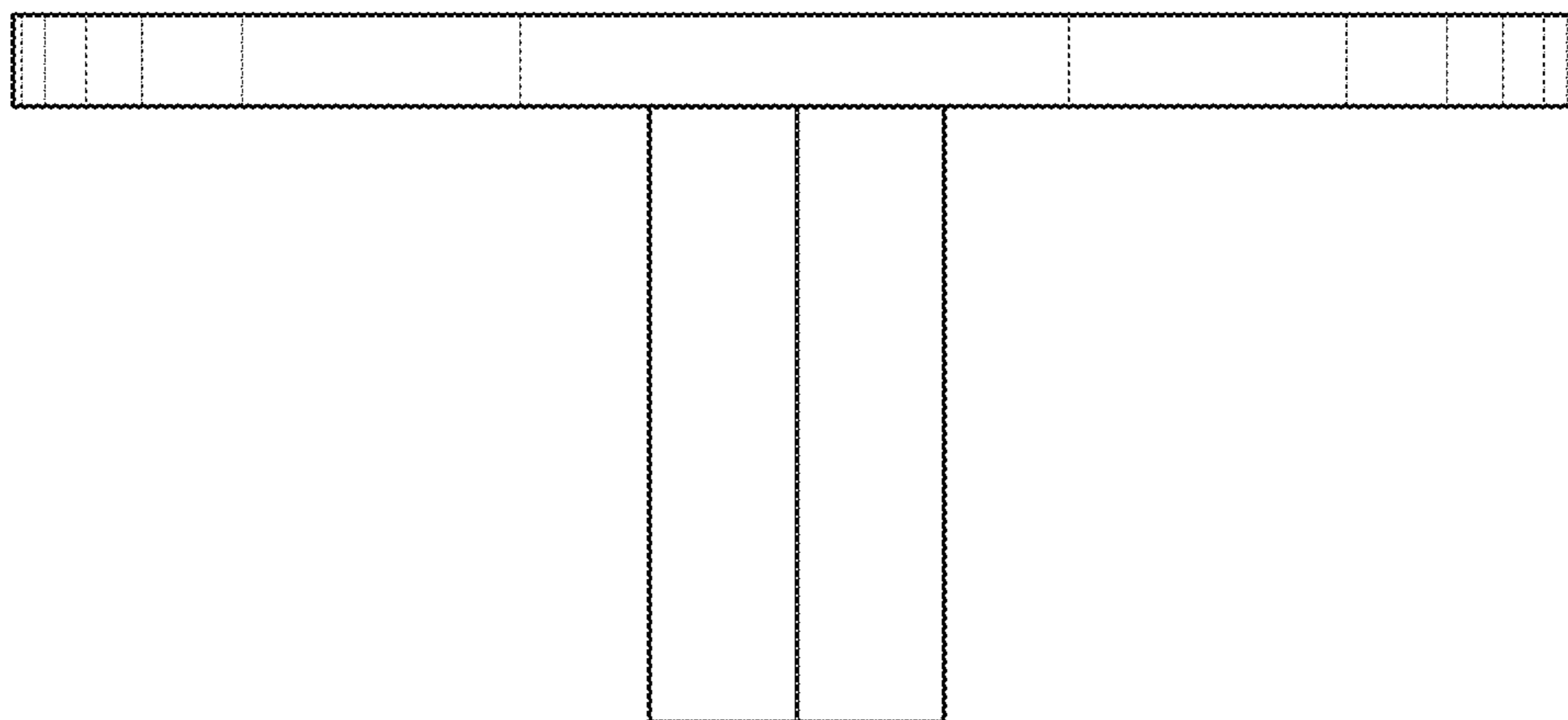


Fig. 1

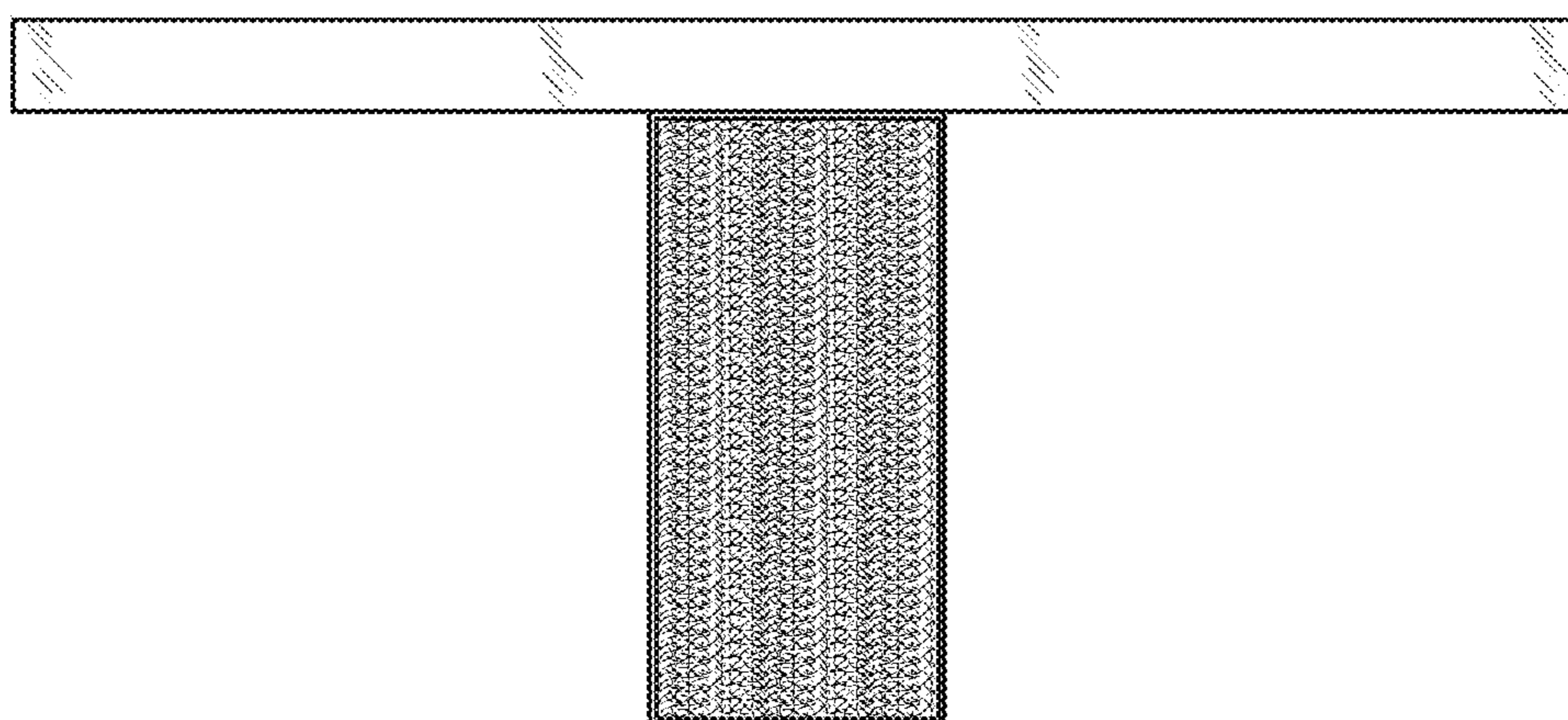


Fig. 2

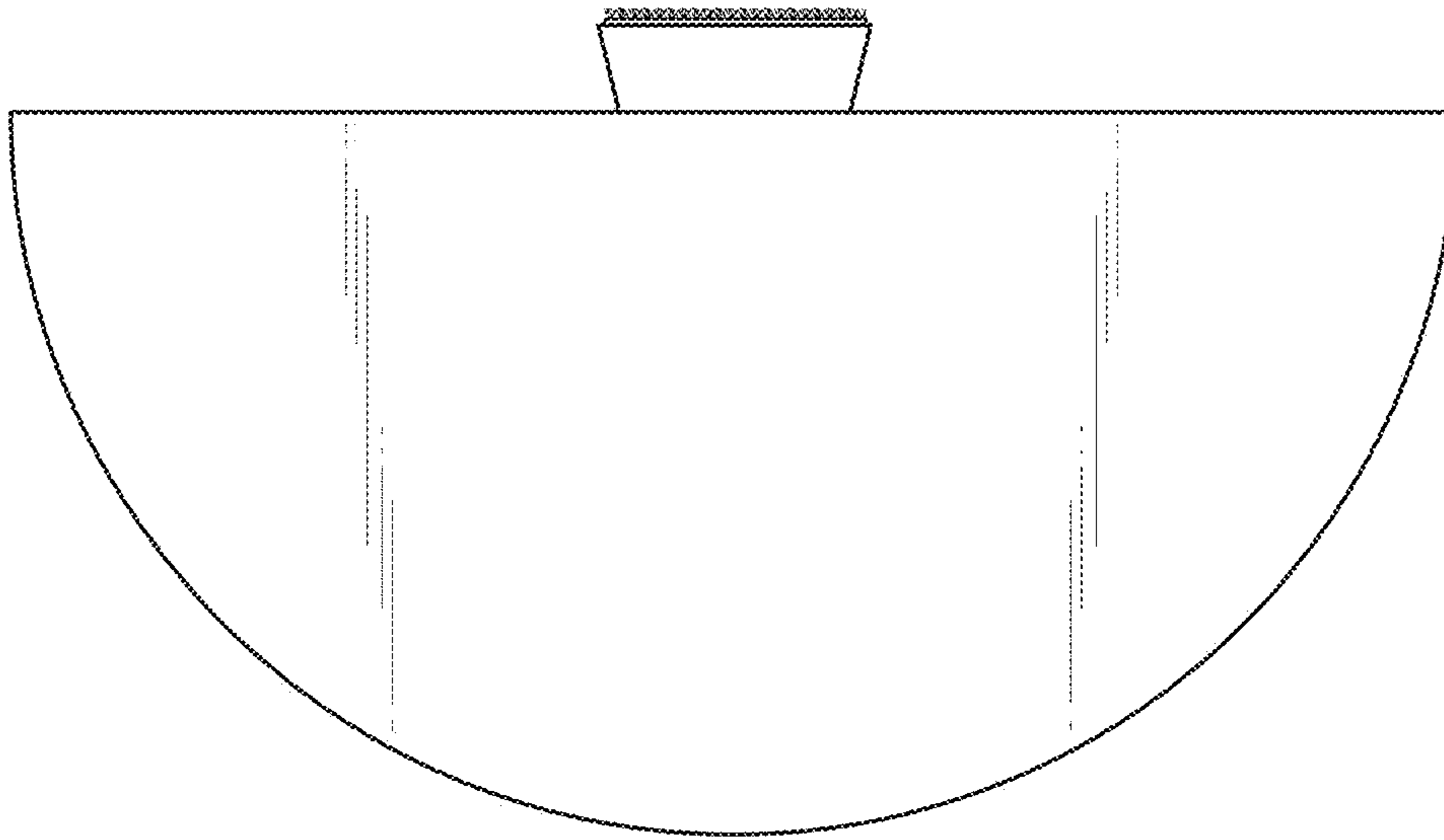


Fig. 3

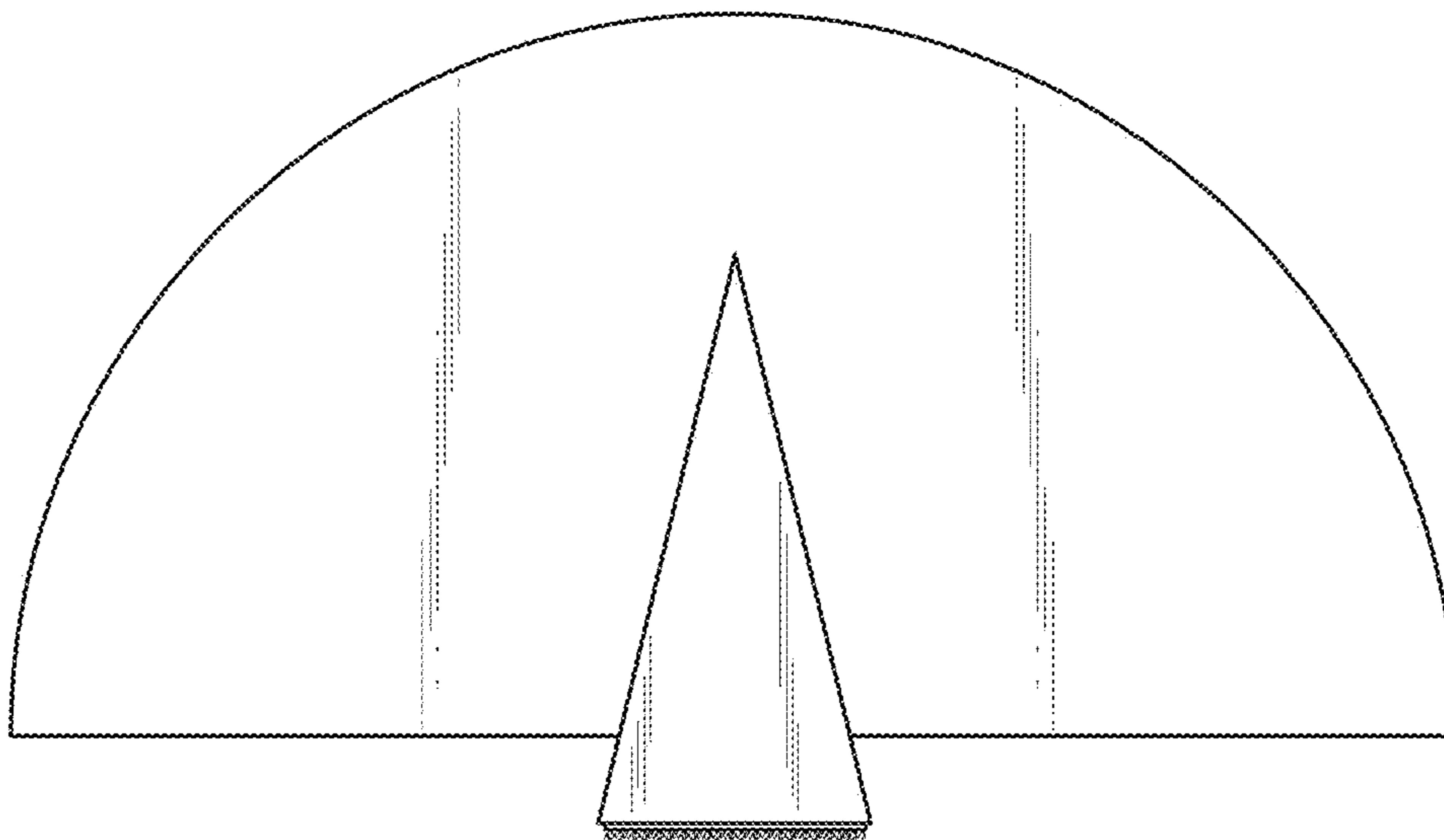


Fig. 4

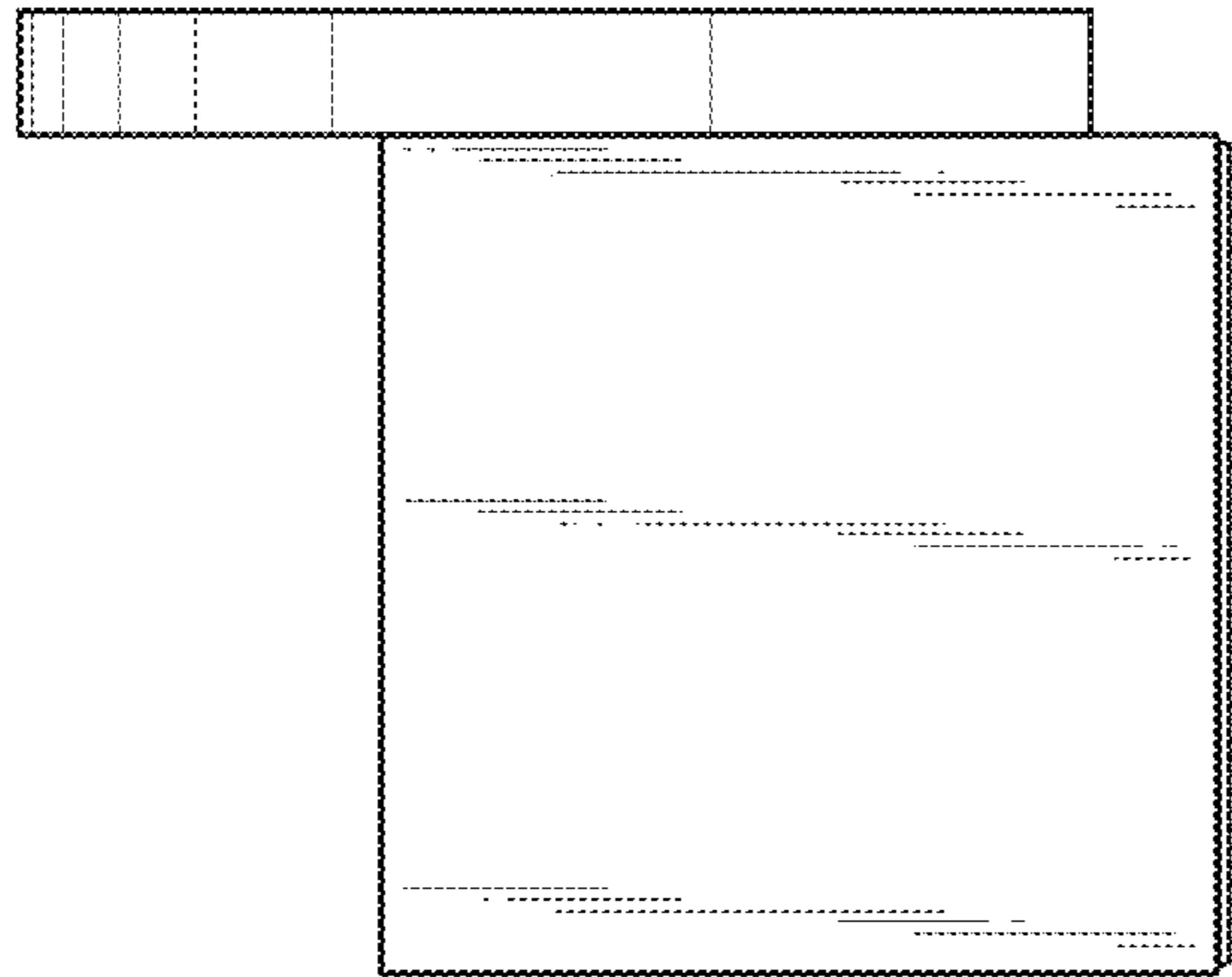


Fig. 5

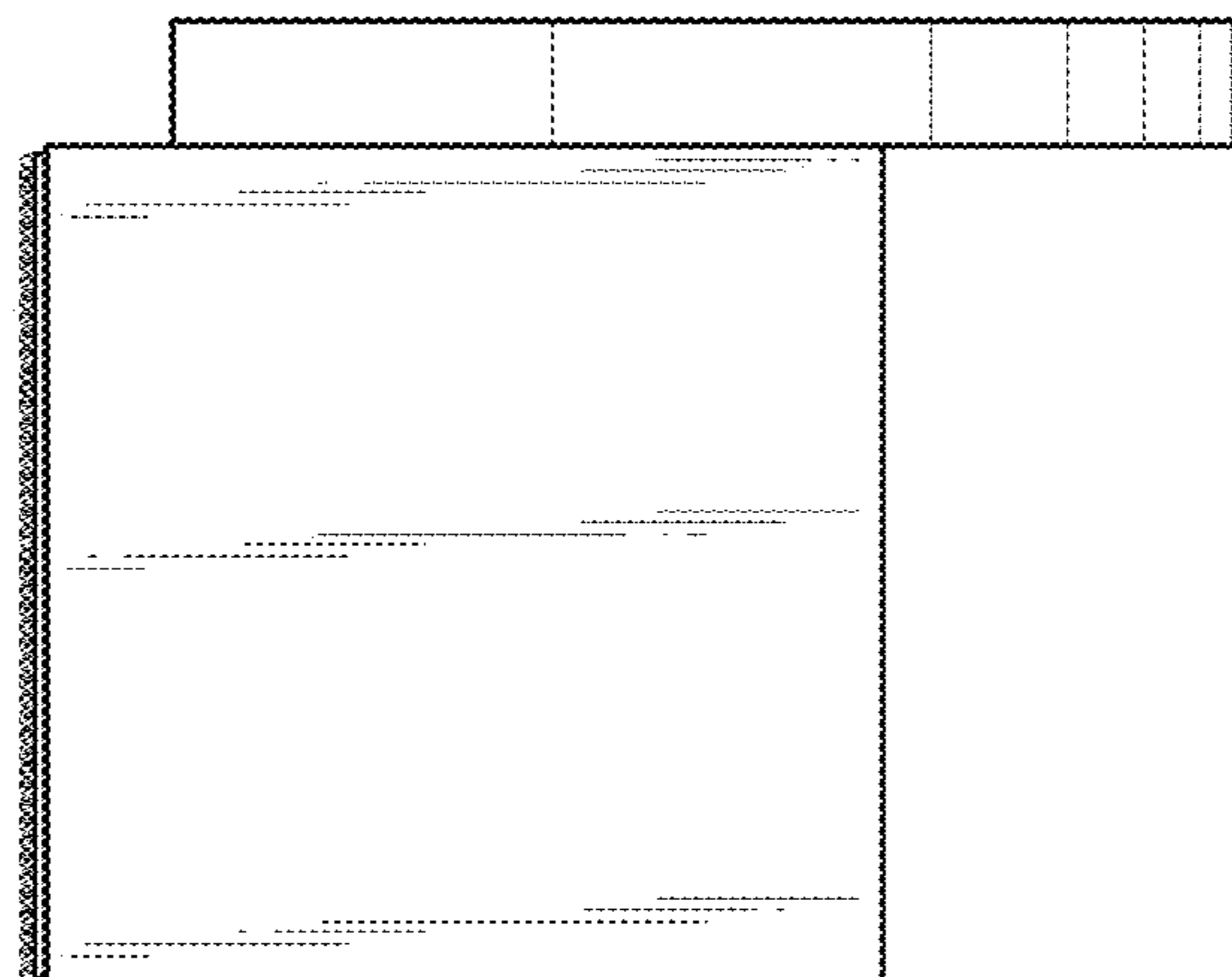


Fig. 6

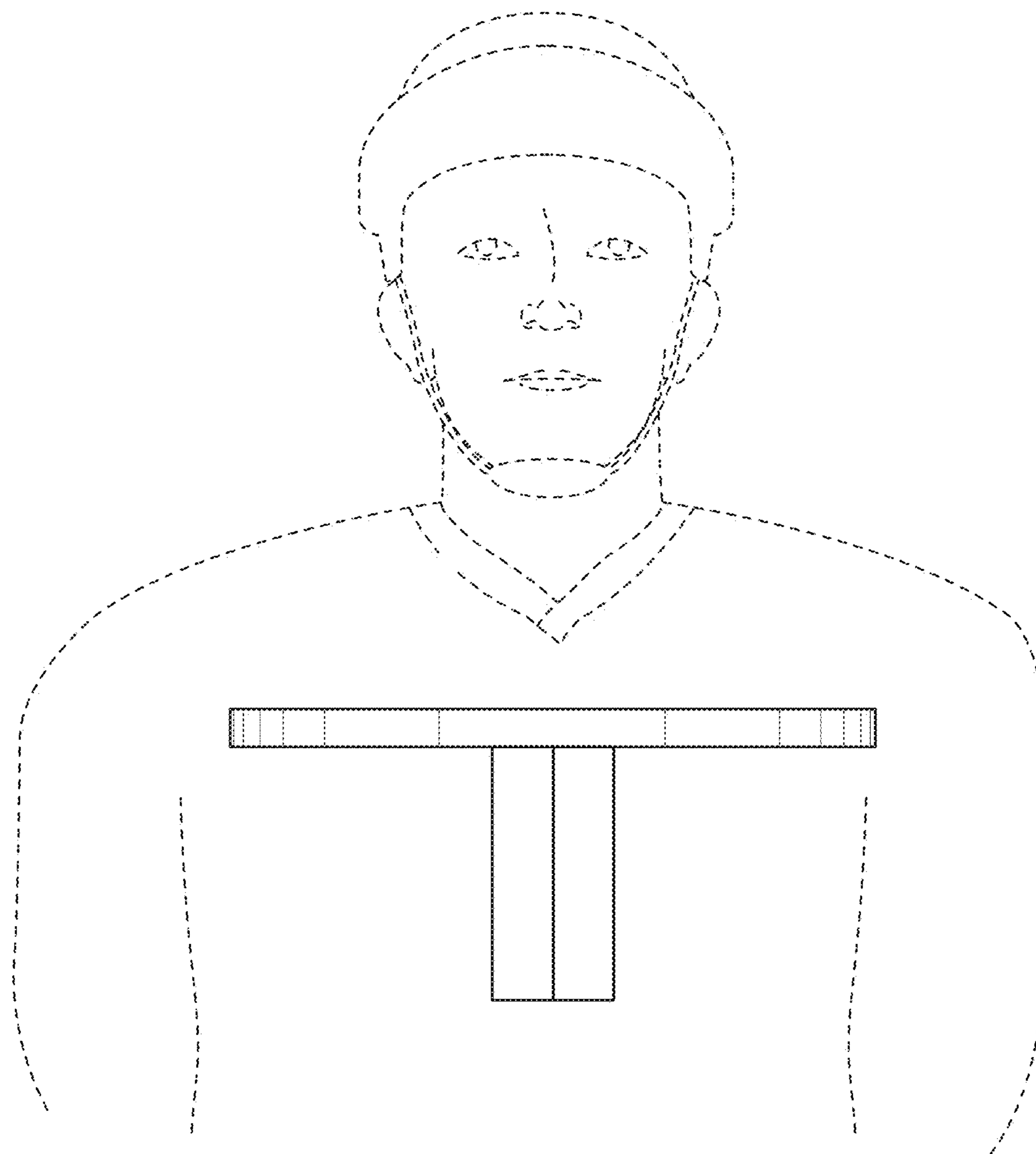


Fig. 7

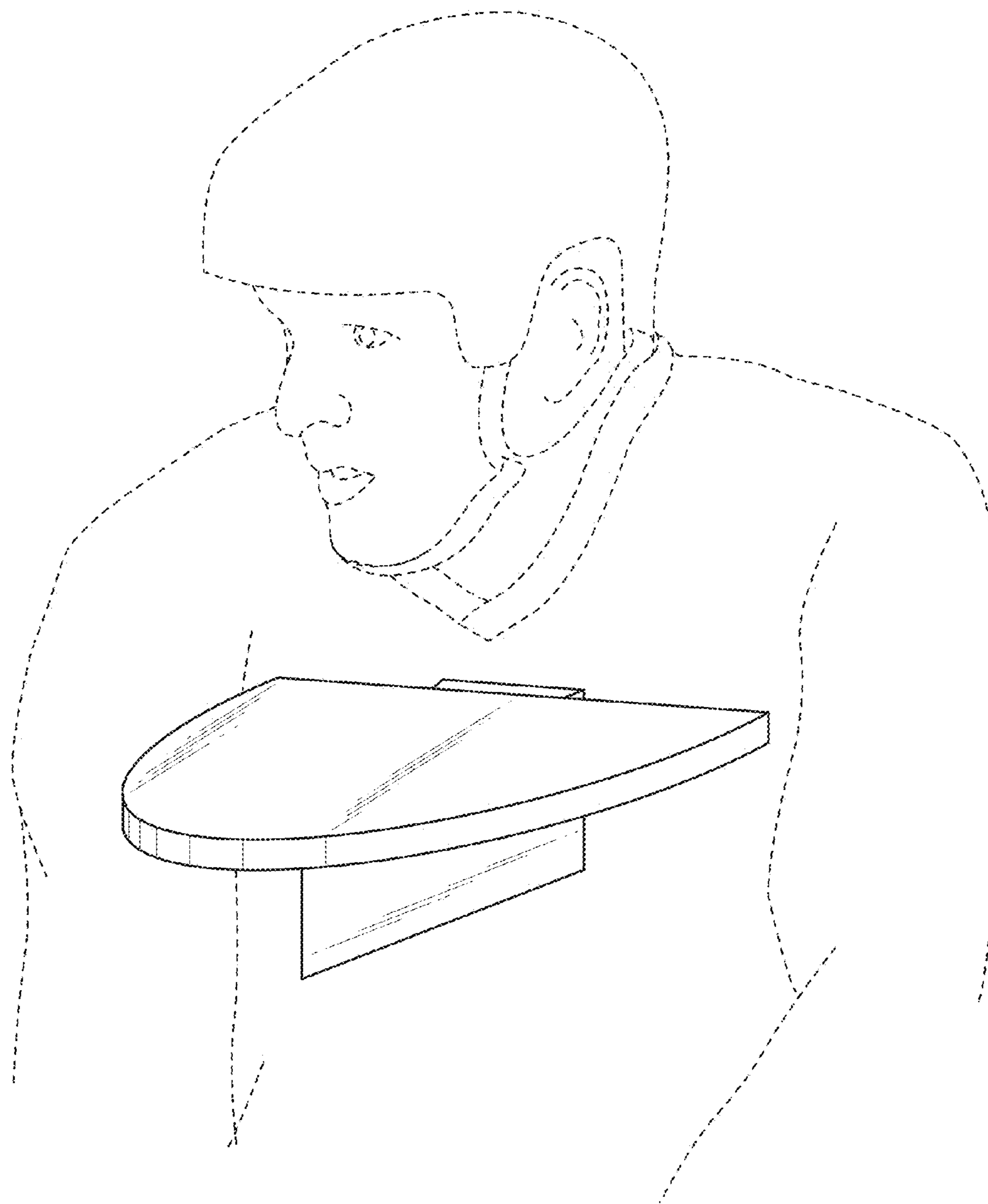


Fig. 8