



US00D753777S

(12) **United States Design Patent**
Radtke

(10) **Patent No.:** **US D753,777 S**
(45) **Date of Patent:** **** Apr. 12, 2016**

(54) **VIBRATIONAL TRAINING BOARD**

(71) Applicant: **Casada Group GmbH**, Paderborn (DE)

(72) Inventor: **Jakob Radtke**, Paderborn (DE)

(73) Assignee: **Casada Group GmbH**, Paderborn (DE)

(**) Term: **14 Years**

(21) Appl. No.: **29/486,848**

(22) Filed: **Apr. 3, 2014**

(30) **Foreign Application Priority Data**

Nov. 15, 2013 (DE) 40 2013 101 120

(51) **LOC (10) Cl.** **21-02**

(52) **U.S. Cl.**
USPC **D21/686**

(58) **Field of Classification Search**
USPC D21/662, 671, 686, 688, 694; D6/349;
D19/62
CPC A63B 23/0458; A63B 2208/0204;
A63B 22/14; A63B 2022/0033; A63B
2210/50; A63B 22/18; A63B 26/003; A63B
21/00047; A63B 21/0004; A63B 21/00196;
A61H 1/005; A61H 2203/0406
See application file for complete search history.

(56) **References Cited**

U.S. PATENT DOCUMENTS

5,154,678 A * 10/1992 Adamczyk et al. 482/52
D342,298 S * 12/1993 Schnabel et al. D21/671

D489,423 S * 5/2004 Fan et al. D21/688
D519,172 S * 4/2006 Penat et al. D21/671
D574,900 S * 8/2008 Meile Marcel
Tamminga D21/662
D585,505 S * 1/2009 Wu D21/662
D596,247 S * 7/2009 Wu D21/694
D627,012 S * 11/2010 Wu D21/662
D633,580 S * 3/2011 Wu D21/662
D681,138 S * 4/2013 Hodgkins D21/686
D695,367 S * 12/2013 Lovegrove et al. D21/671
2008/0179976 A1 * 7/2008 Wu 310/80

* cited by examiner

Primary Examiner — George D Kirschbaum

Assistant Examiner — Jennifer Watkins

(74) *Attorney, Agent, or Firm* — Stephan A. Pendorf; Patent Central LLC

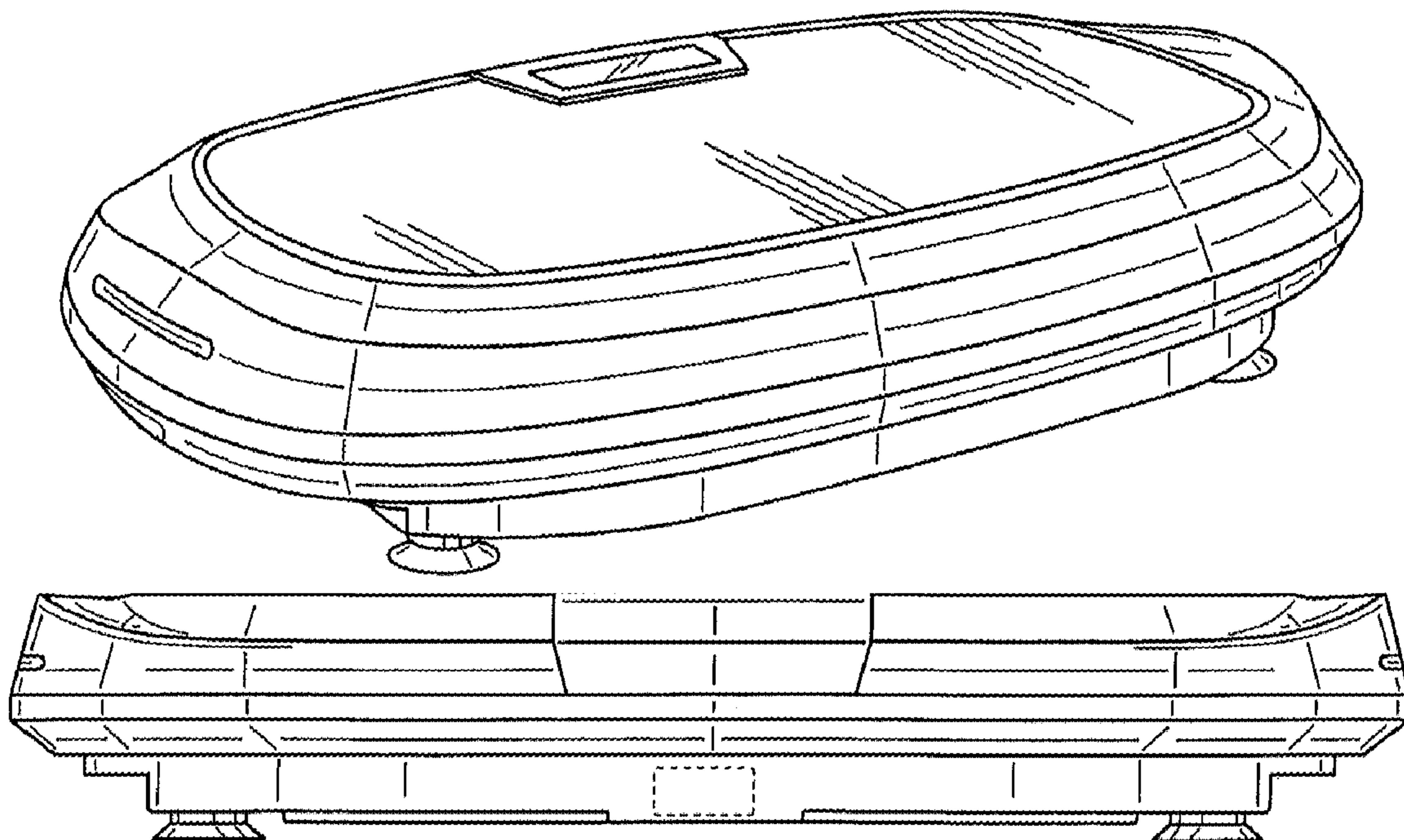
(57) **CLAIM**

The ornamental design for a vibrational training board, as shown and described.

DESCRIPTION

FIG. 1 is a left, elevated, front perspective view of a vibrational training board showing my new design.
FIG. 2 is a front view thereof.
FIG. 3 is a rear view thereof.
FIG. 4 is a right side view thereof.
FIG. 5 is a left side view thereof.
FIG. 6 is a top view thereof; and,
FIG. 7 is a bottom view thereof.
The broken lines in FIG. 3 represent portions of a receptacle for an external power cord and form no part of the claim.

1 Claim, 4 Drawing Sheets



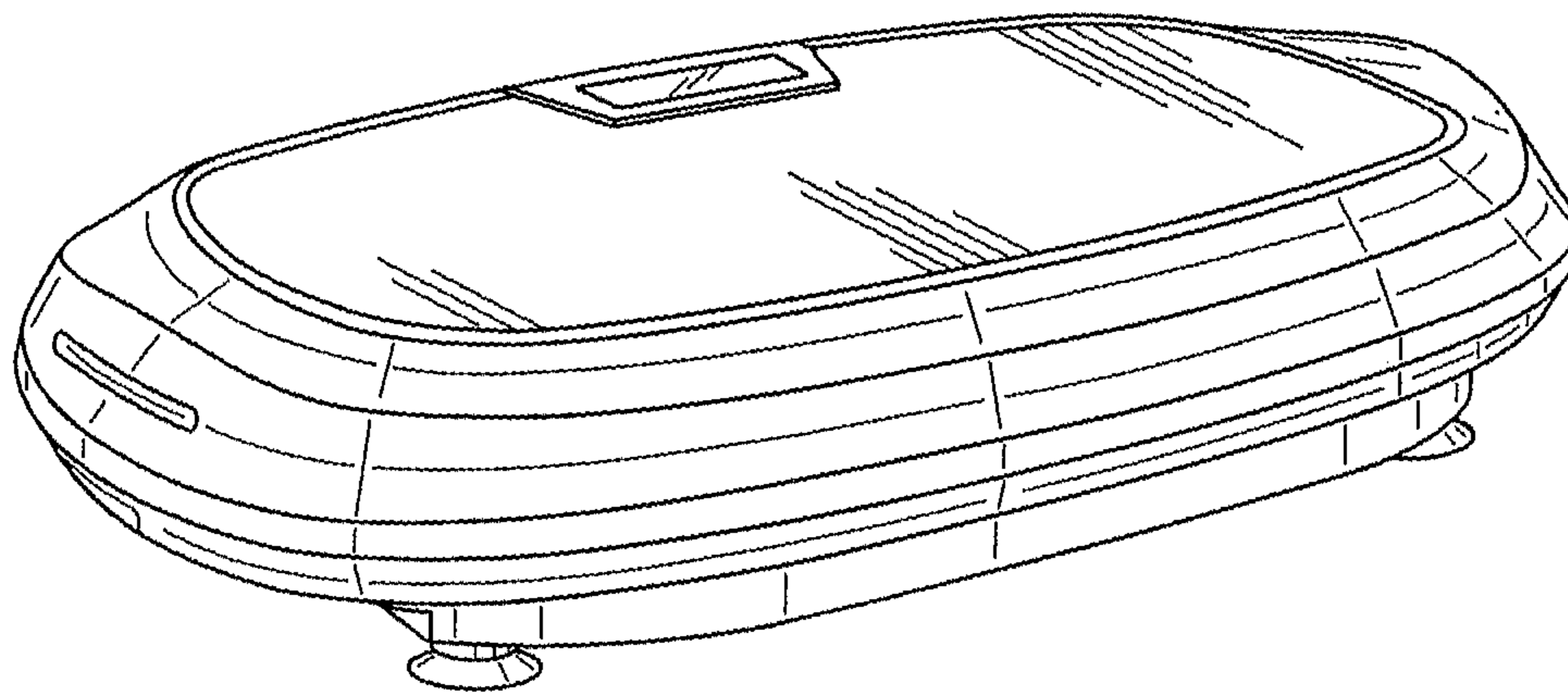


FIG. 1

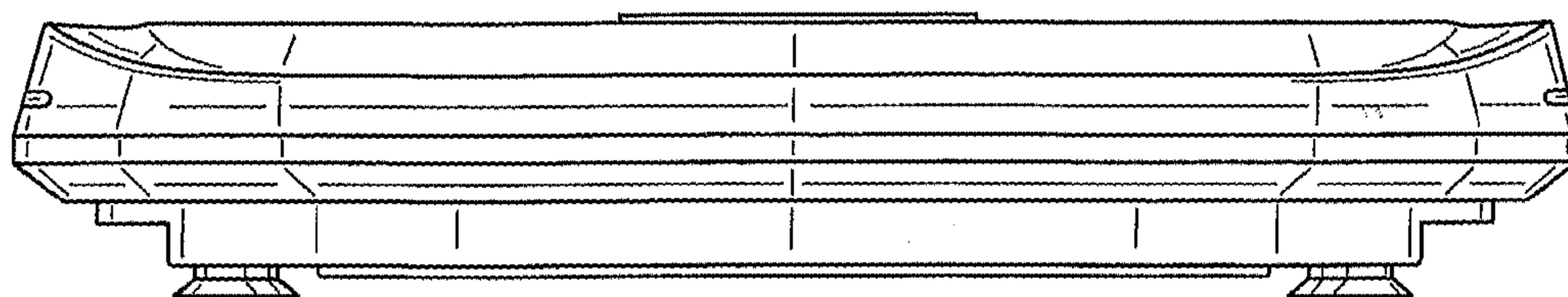


FIG. 2

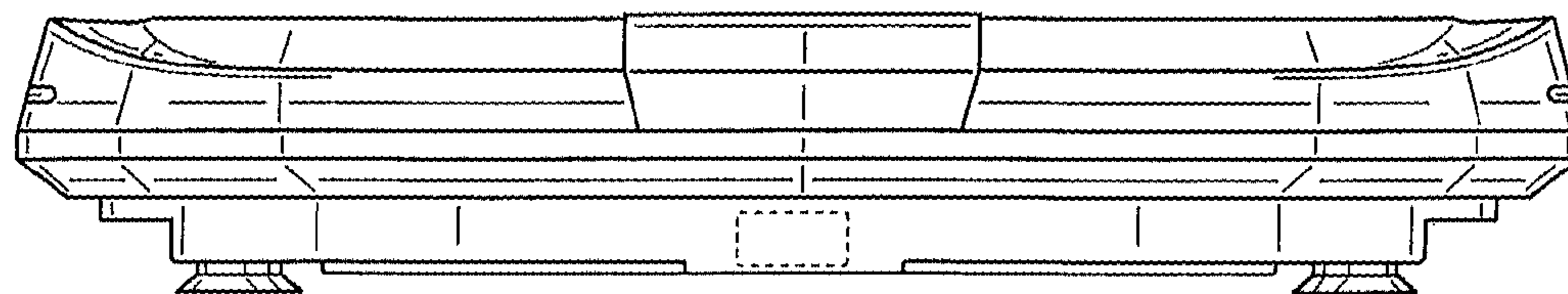


FIG. 3

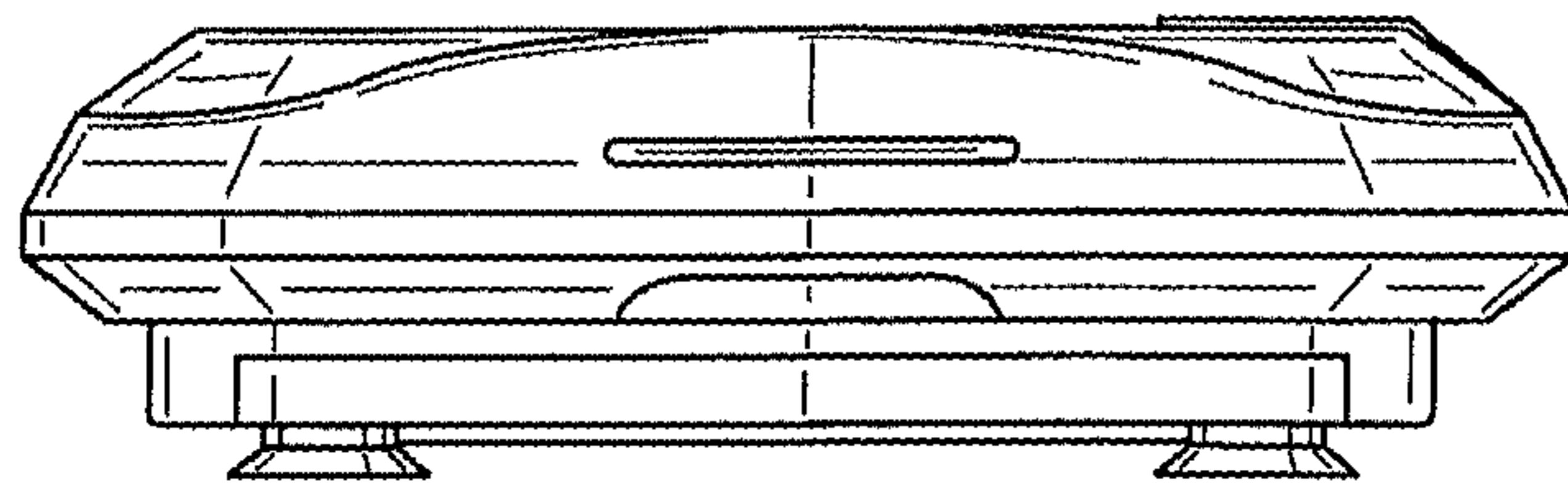


FIG. 4

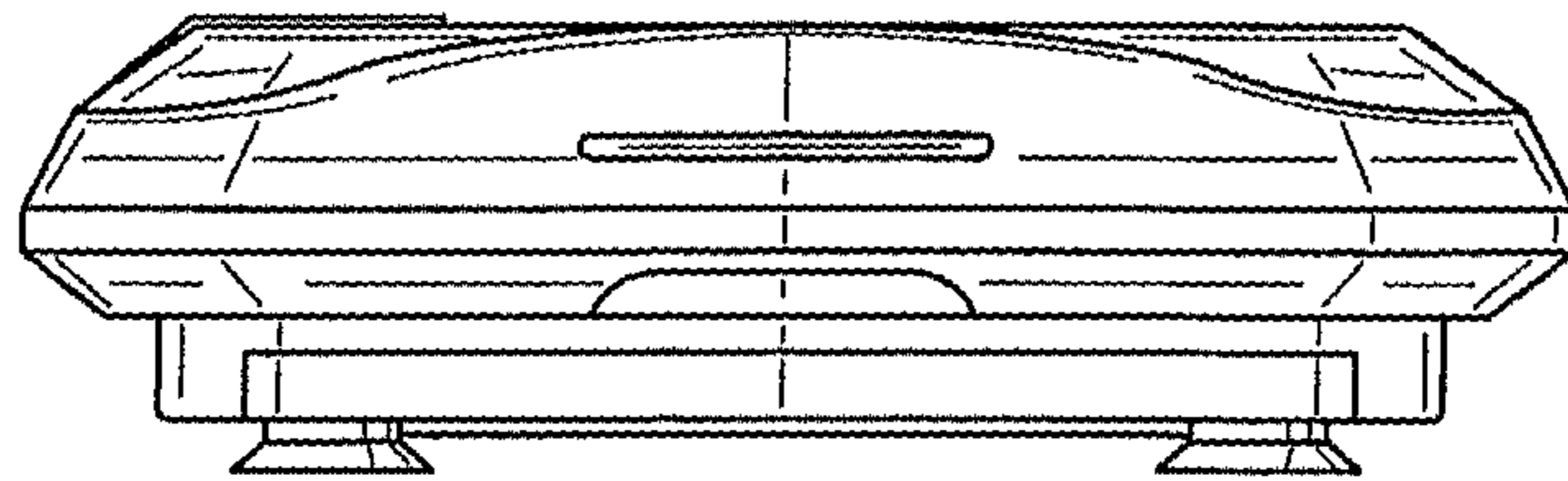


FIG. 5

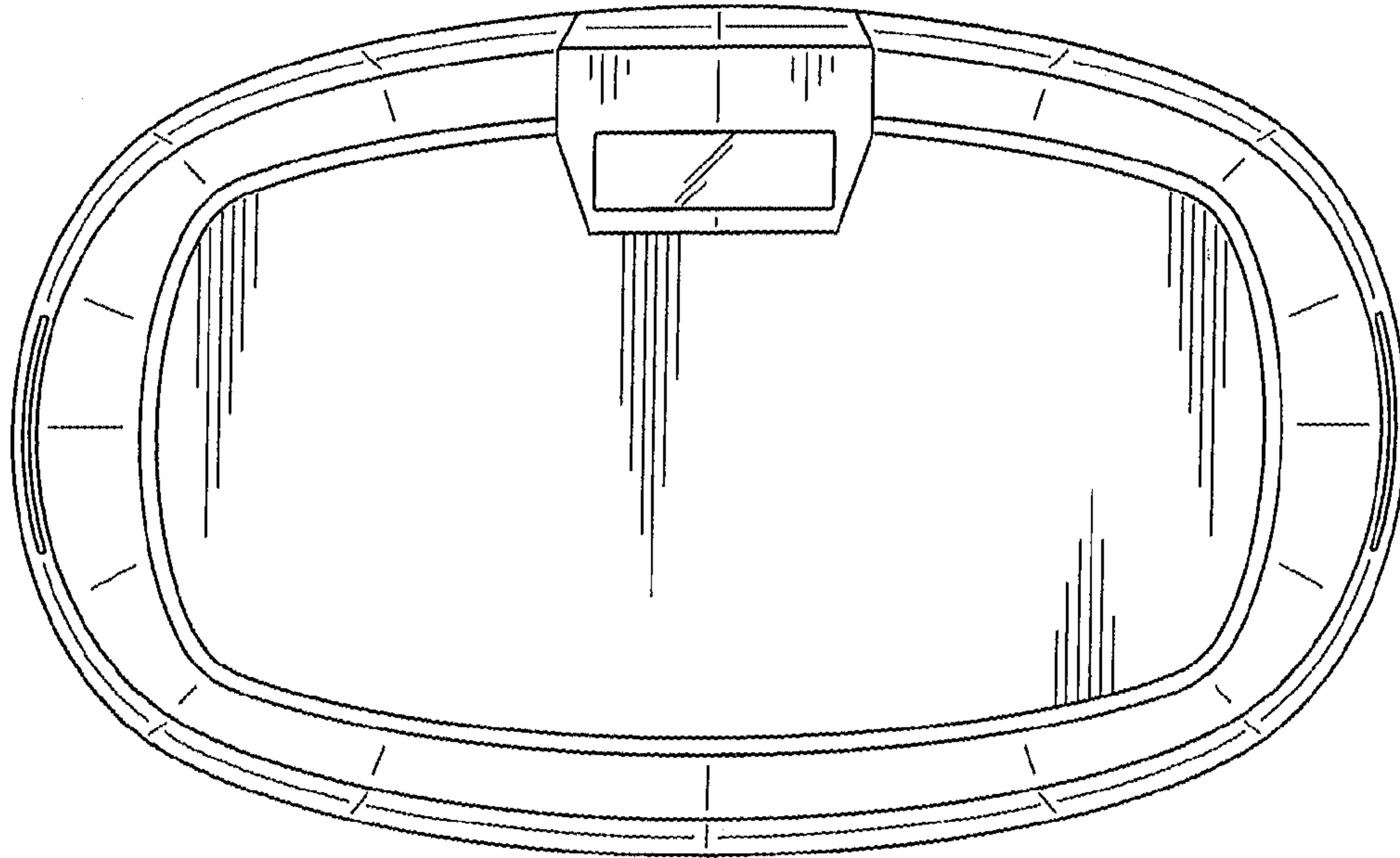


FIG. 6

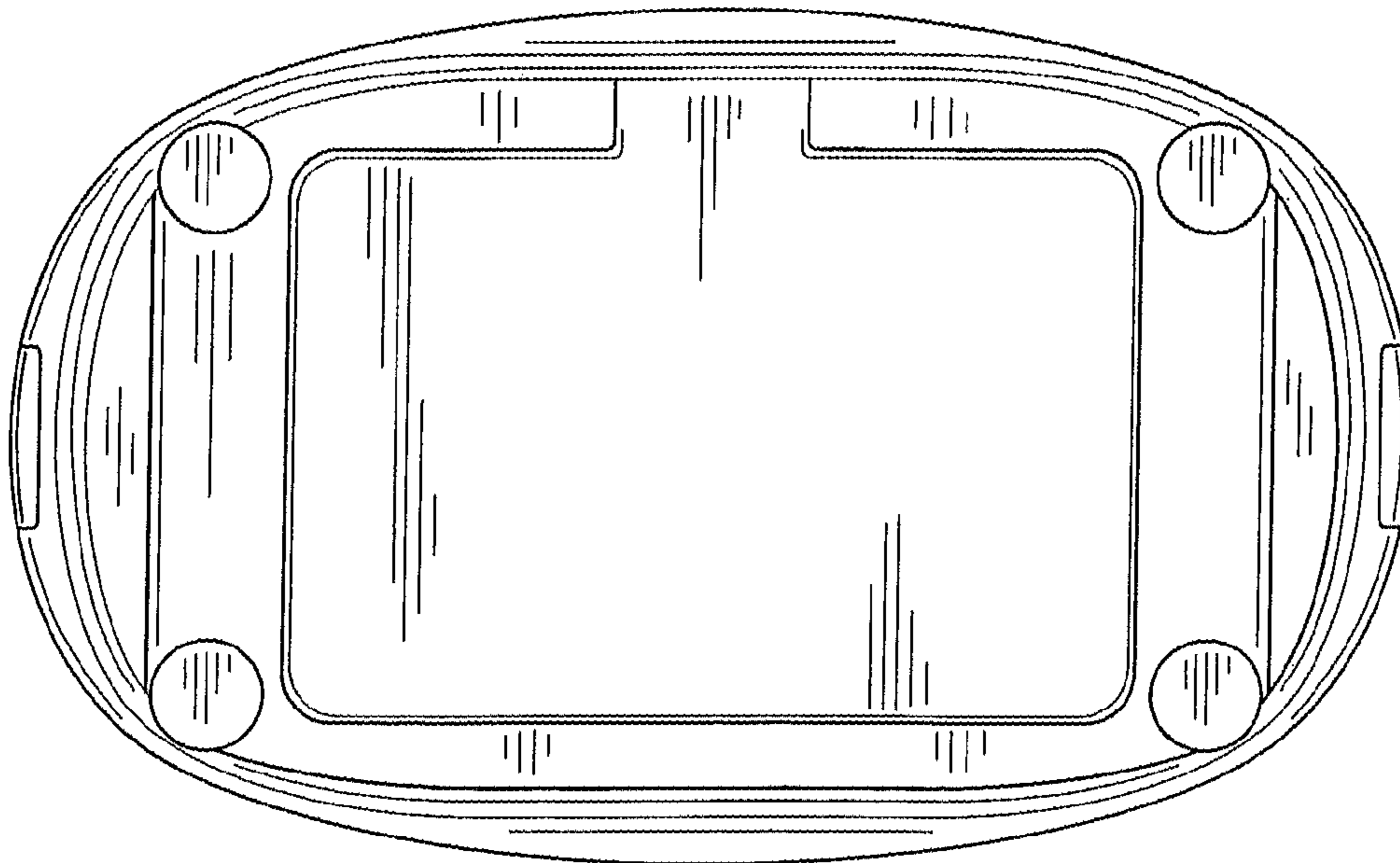


FIG. 7