



US00D753774S

(12) **United States Design Patent**  
**Proulx et al.**

(10) **Patent No.:** **US D753,774 S**  
(45) **Date of Patent:** **\*\* Apr. 12, 2016**

- (54) **CONSTRUCTION SET ELEMENT**
- (71) Applicant: **MEGA Brands Inc.**, Montreal (CA)
- (72) Inventors: **Nicholas Proulx**, Montreal (CA);  
**Marc-Andre Minguy**, La Prairie (CA)
- (73) Assignee: **MEGA Brands Inc.**, Montreal, Quebec (CA)

D384,989 S	10/1997	Andersen	
5,674,103 A	10/1997	Bean	
D411,262 S *	6/1999	Toft	D21/486
6,132,281 A	10/2000	Klitsner et al.	
6,200,187 B1 *	3/2001	Olsen	A63H 33/04 446/120
D455,463 S	4/2002	Martin et al.	
D537,484 S	2/2007	Ganderton	
D546,902 S	7/2007	Ganderton	
D550,784 S *	9/2007	Glickman	D21/505

(\*\*) Term: **14 Years**

(21) Appl. No.: **29/515,649**

(22) Filed: **Jan. 26, 2015**

(51) **LOC (10) Cl.** ..... **21-01**

(52) **U.S. Cl.**  
USPC ..... **D21/505**

(58) **Field of Classification Search**  
USPC ..... D21/386, 389, 404, 468, 470, 471,  
D21/484-505; 446/69, 85, 102-128;  
434/208, 259, 403; 273/153, 156, 160;  
D25/113-116, 118  
CPC ..... A63H 33/00; A63H 33/04; A63H 33/06;  
A63H 33/08; A63H 33/084; A63H 33/086;  
A63H 33/088; A63H 33/10; A63H 33/105;  
A63H 33/108; A63H 33/52  
See application file for complete search history.

(56) **References Cited**

U.S. PATENT DOCUMENTS

D304,042 S *	10/1989	Poulsen	D21/453
D308,233 S	5/1990	Fish, Jr.	
D308,234 S	5/1990	Fish, Jr.	
D317,482 S *	6/1991	Michaelsen	D8/14
D330,056 S *	10/1992	Pagel	D21/505
D351,005 S	9/1994	Hojlund et al.	
D353,629 S *	12/1994	Skov	D21/504
D354,529 S *	1/1995	Skov	D21/504
D360,909 S	8/1995	Frederiksen	
D360,910 S	8/1995	Frederiksen	
D362,474 S	9/1995	Voldmester et al.	
D363,095 S	10/1995	Voldmester	

(Continued)

OTHER PUBLICATIONS

Excerpt of 1997 Mega Bloks Catalog, 3 pages.

(Continued)

Primary Examiner — Cynthia M Chin

(74) Attorney, Agent, or Firm — Plumsea Law Group, LLC

(57) **CLAIM**

The ornamental design for a construction set element, as shown and described.

**DESCRIPTION**

FIG. 1 is a top perspective view of a construction set element showing the new design;

FIG. 2 is a front elevational view of the construction set element of FIG. 1;

FIG. 3 is a rear elevational view of the construction set element of FIG. 1;

FIG. 4 is a right side elevational view of the construction set element of FIG. 1;

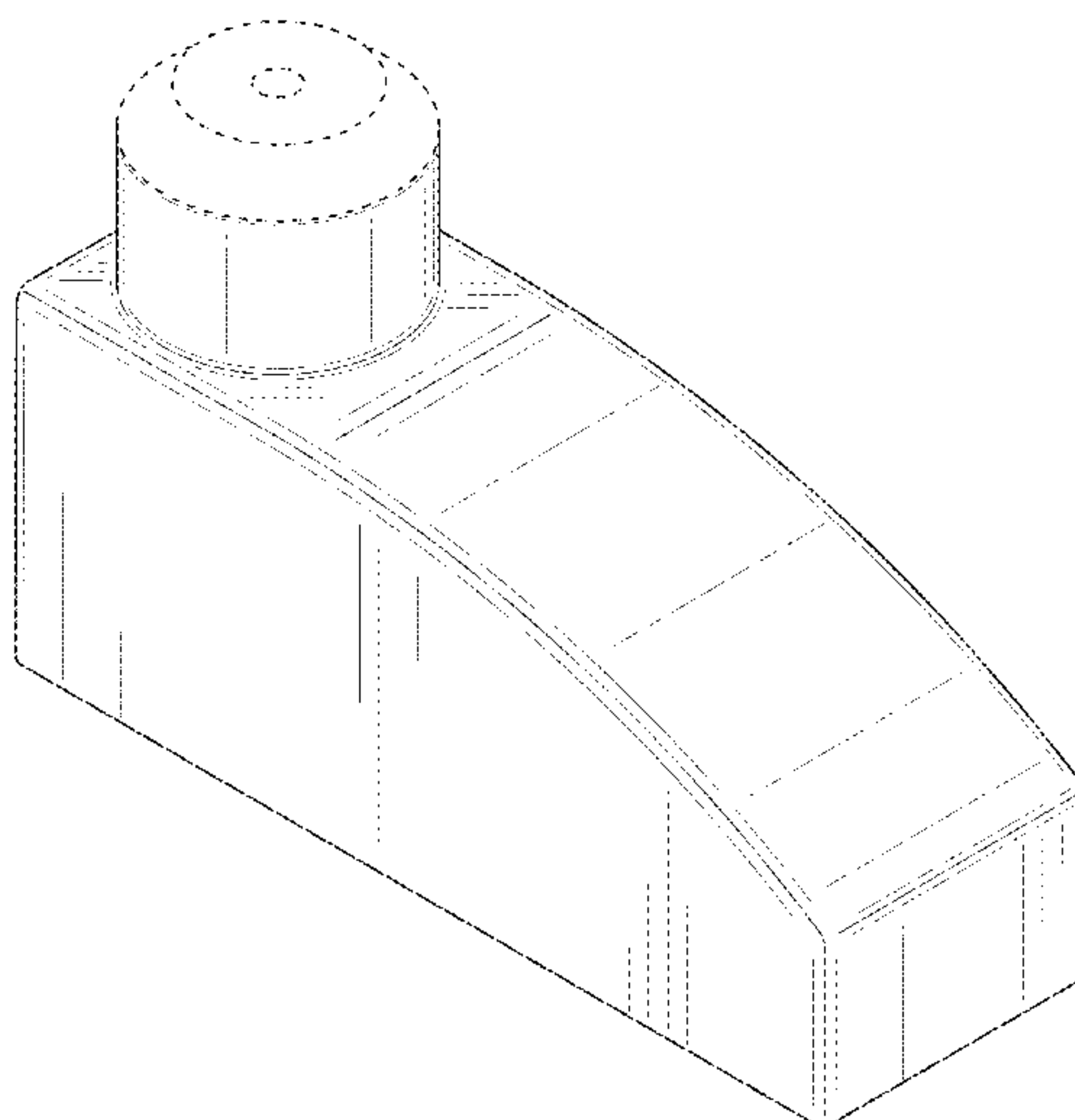
FIG. 5 is a left side elevational view of the construction set element of FIG. 1;

FIG. 6 is a top plan view of the construction set element of FIG. 1; and,

FIG. 7 is a bottom plan view of the construction set element of FIG. 1.

The broken lines and unshaded areas form no part of the claimed design.

**1 Claim, 6 Drawing Sheets**



(56)

**References Cited**

U.S. PATENT DOCUMENTS

D552,190 S \* 10/2007 Glickman ..... D21/505  
D562,412 S 2/2008 Tremblay et al.  
D587,765 S \* 3/2009 Dawes ..... D21/495  
7,658,662 B2 2/2010 Tremblay et al.  
D614,707 S 4/2010 Ryaa  
D647,698 S 11/2011 Cally  
D647,699 S 11/2011 Cally  
D660,597 S 5/2012 Leblanc  
D676,653 S 2/2013 Leblanc  
D680,176 S \* 4/2013 Chin ..... D21/495  
D681,330 S 5/2013 Leblanc  
D684,364 S 6/2013 Leblanc  
D684,770 S 6/2013 Leblanc  
D689,954 S \* 9/2013 Rya ..... D21/486  
8,528,489 B2 9/2013 Roy et al.

D699,439 S 2/2014 Leblanc  
D699,441 S 2/2014 Leblanc  
D699,442 S 2/2014 Leblanc  
D700,248 S 2/2014 Proulx et al.  
D707,554 S 6/2014 Lavoie

OTHER PUBLICATIONS

Excerpt of 2009 Mega Bloks Catalog, 16 pages.  
Excerpt of 2011 Mega Bloks Catalog, 12 pages.  
Excerpt of 2012 Mega Bloks Catalog, 22 pages.  
Excerpt of 2013 Mega Bloks Catalog, 3 pages.  
Office Action mailed Dec. 4, 2015 in Design U.S. Appl. No. 29/515,645.  
Office Action mailed Dec. 1, 2015 in Design U.S. Appl. No. 29/515,647.

\* cited by examiner

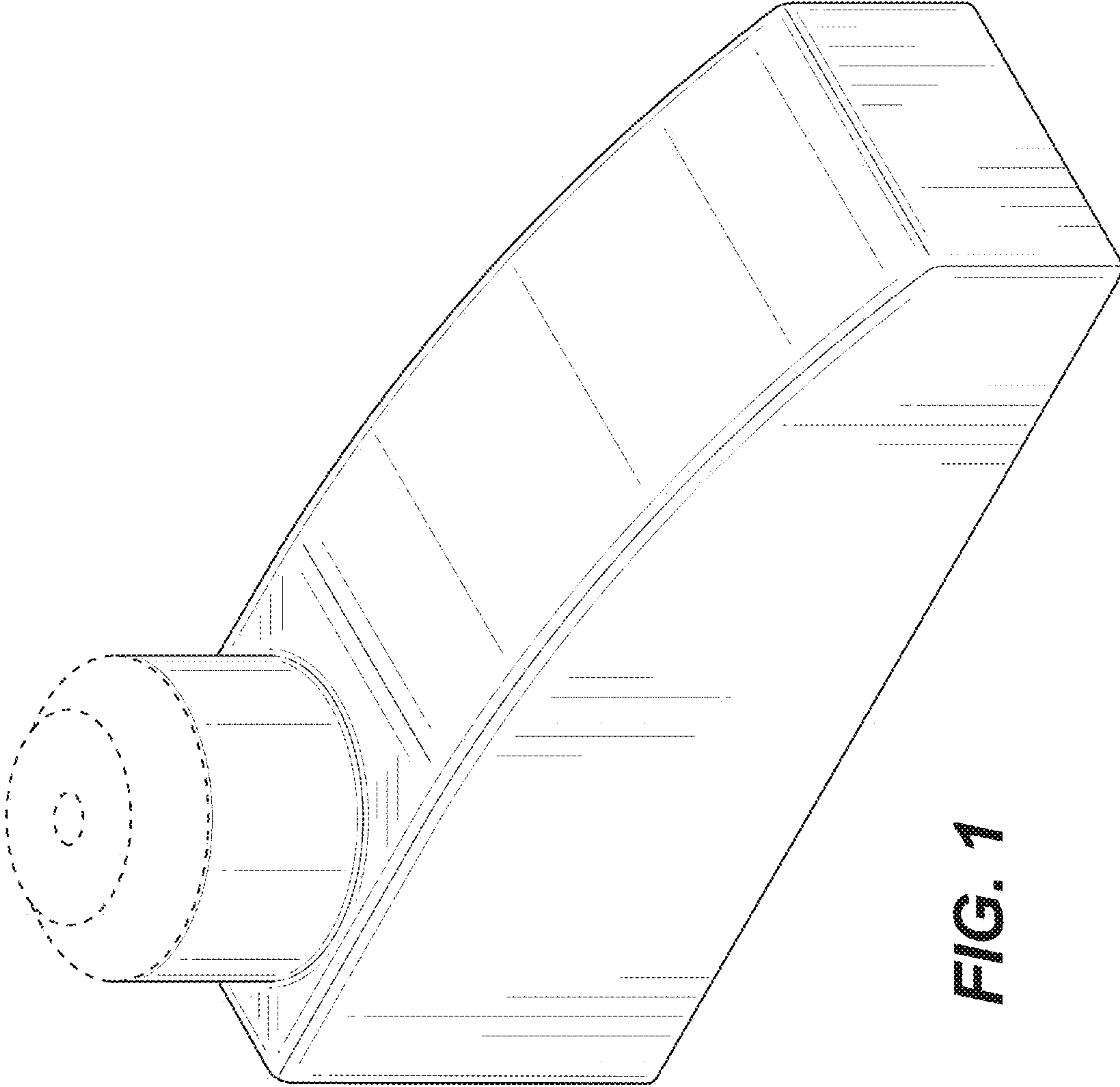


FIG. 1

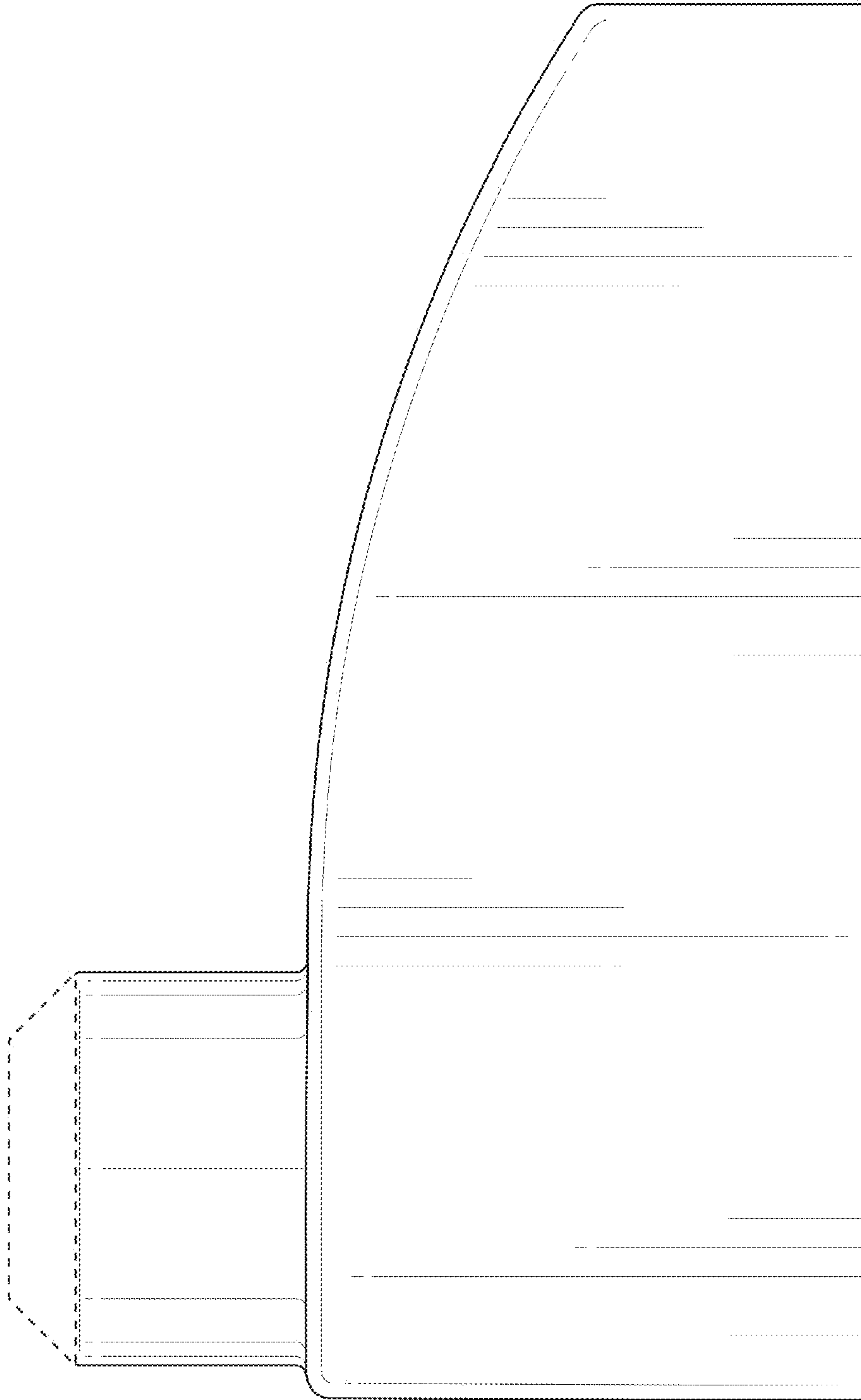


FIG. 2

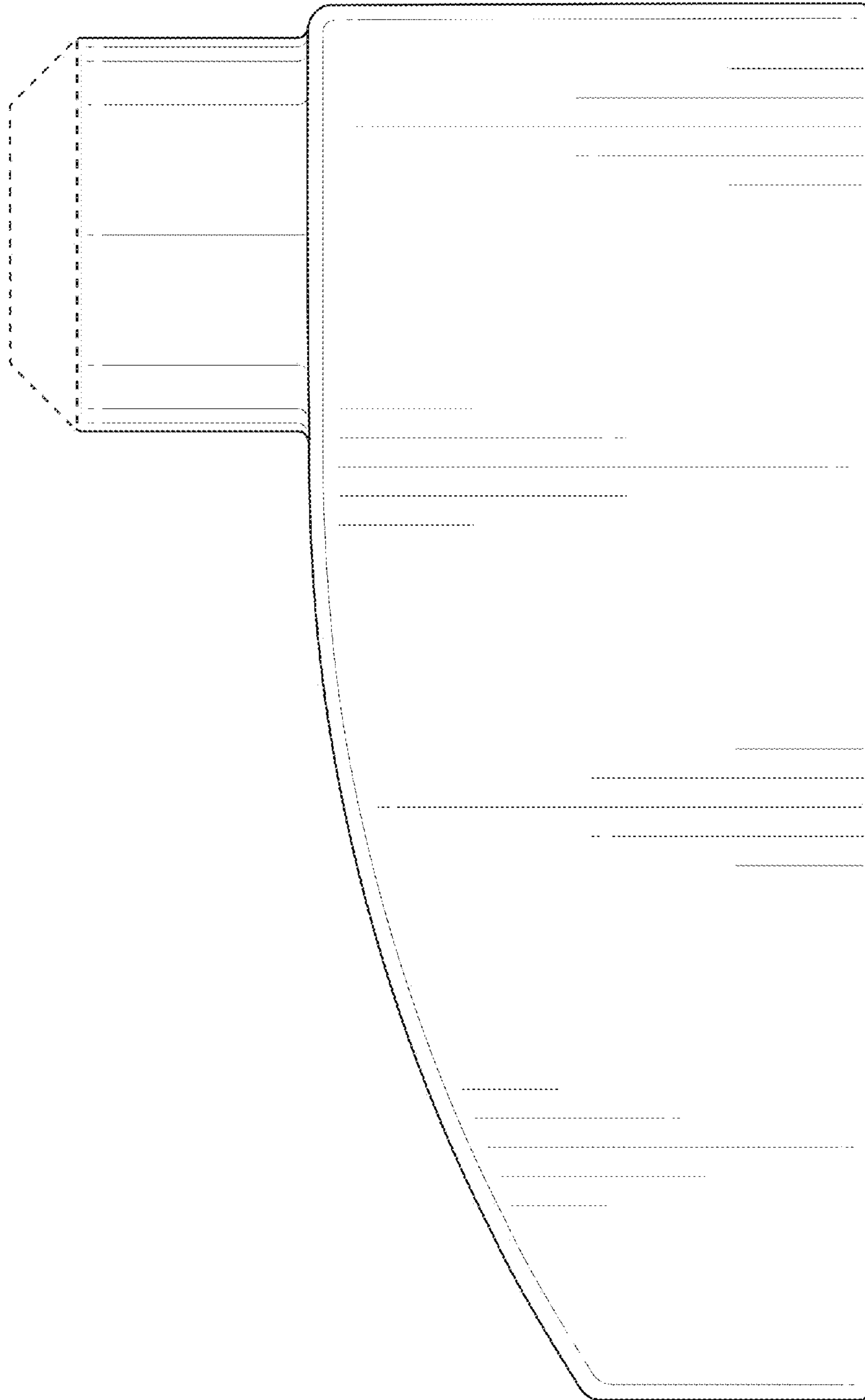


FIG. 3

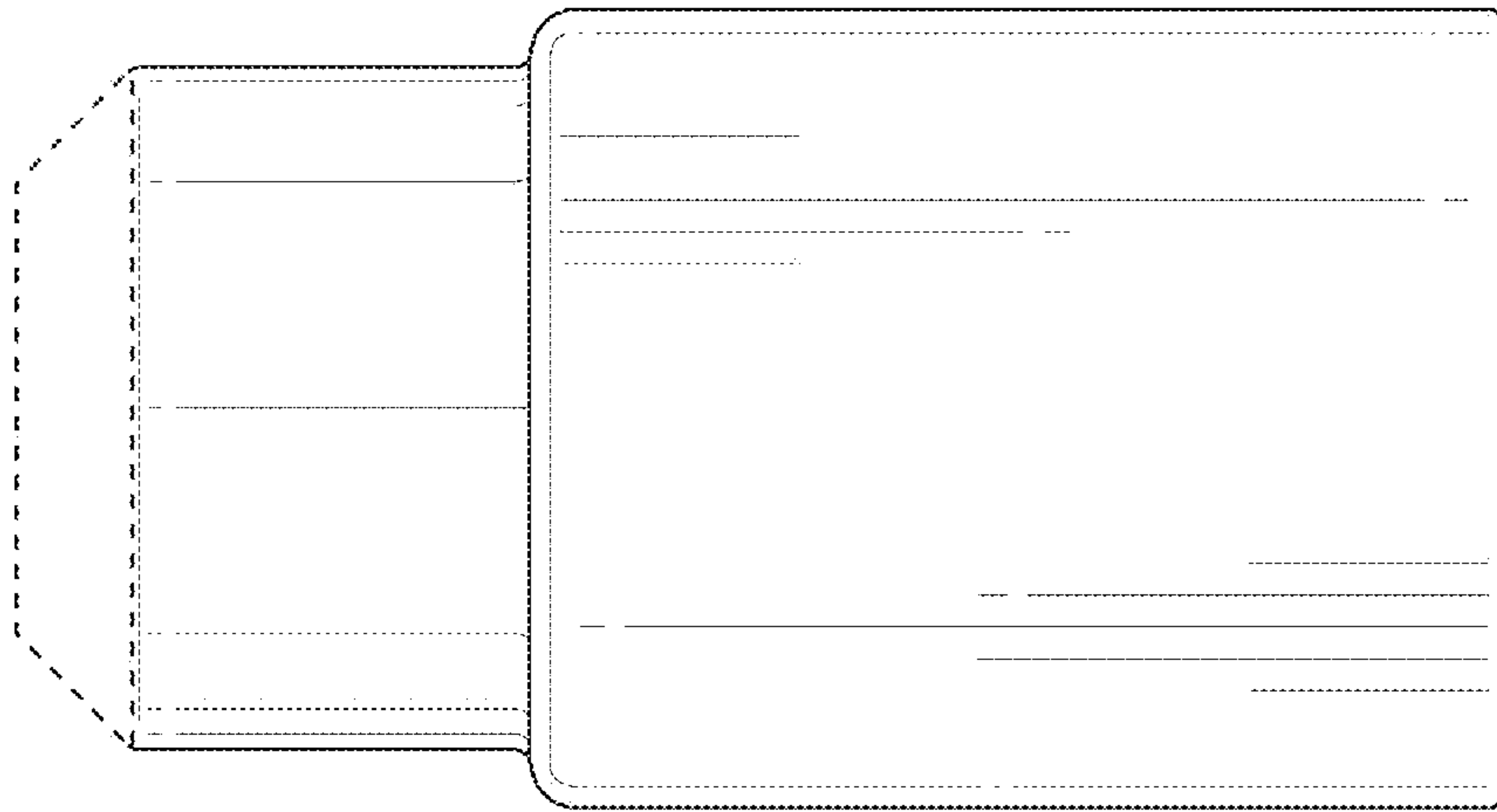


FIG. 5

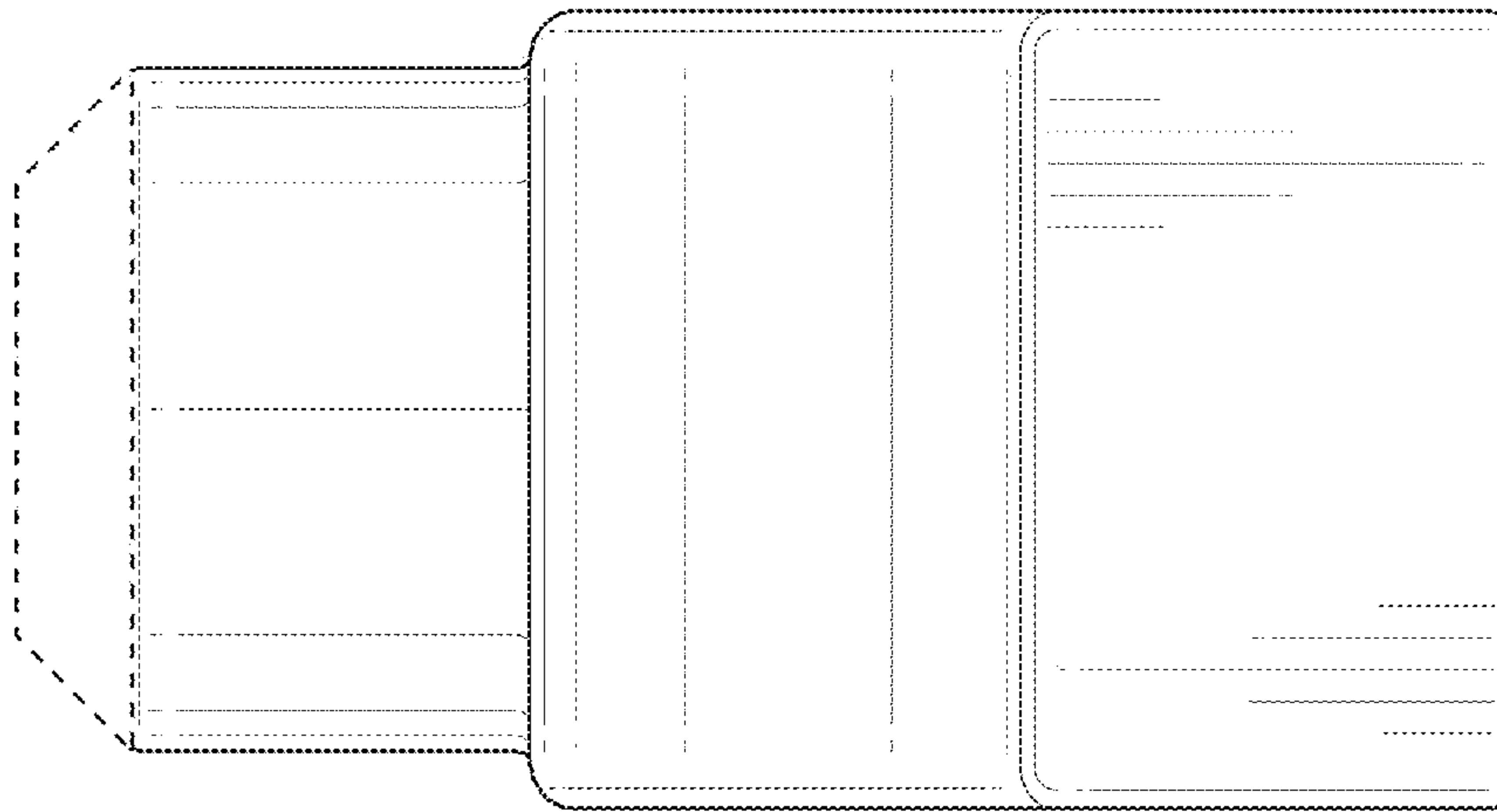
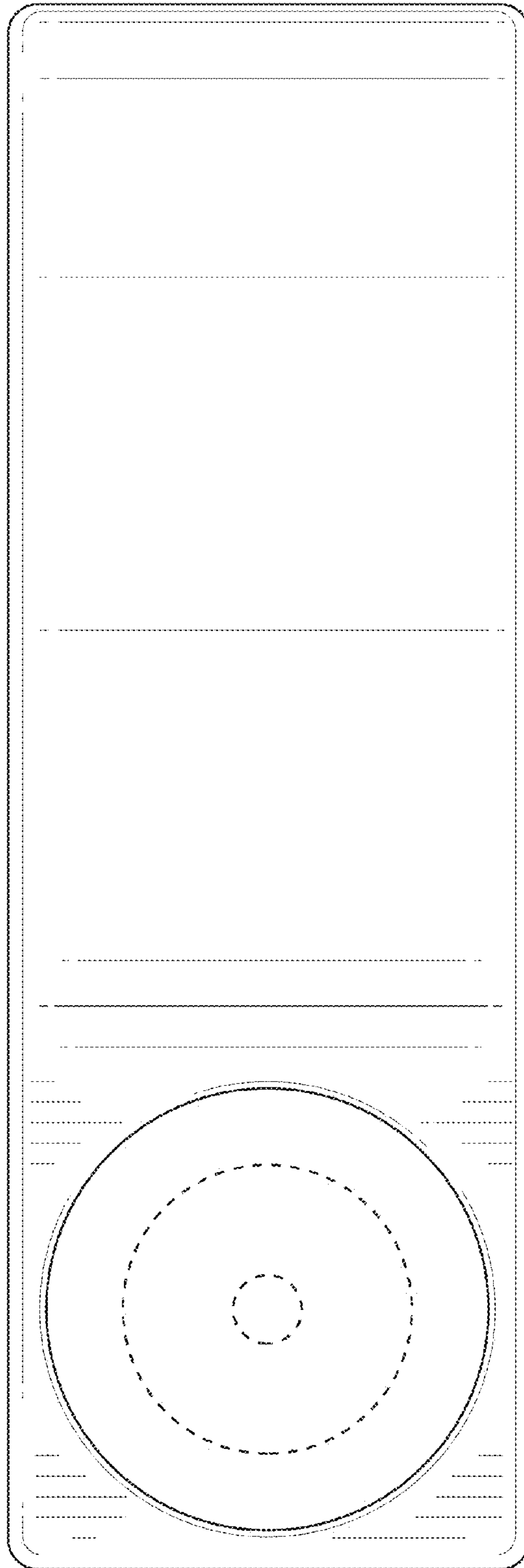
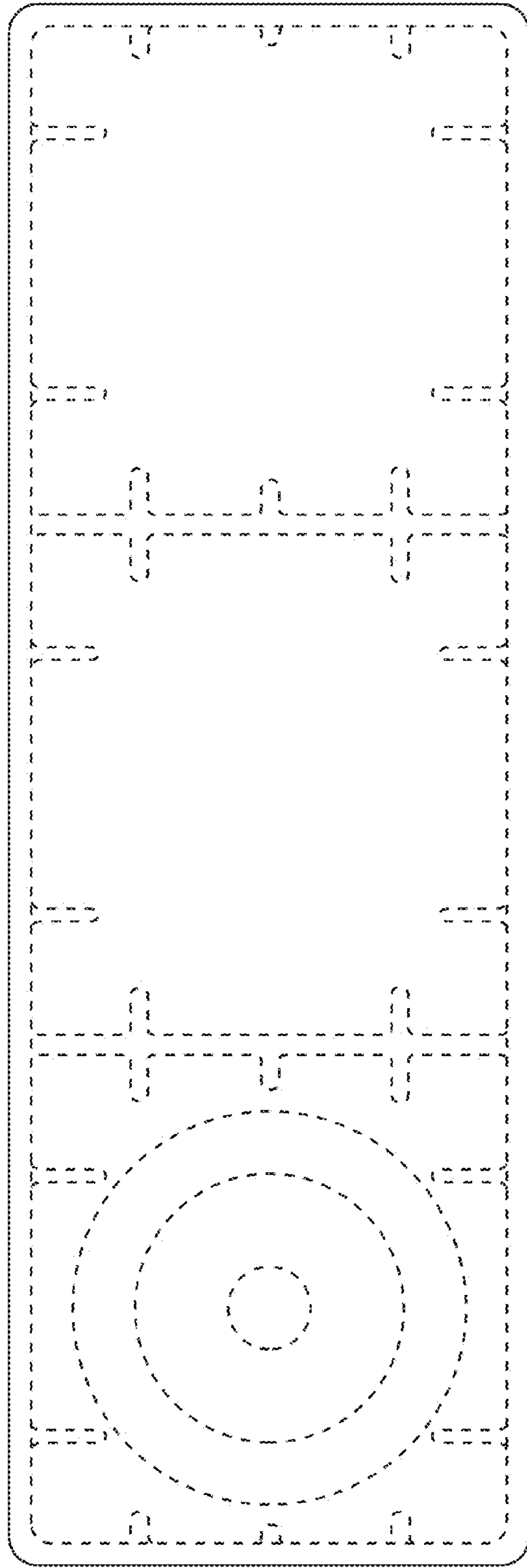


FIG. 4



**FIG. 6**





**FIG. 7**