



US00D753766S

(12) **United States Design Patent**  
**Chuang**

(10) **Patent No.:** **US D753,766 S**  
(45) **Date of Patent:** **\*\* Apr. 12, 2016**

(54) **CLIPBOARD**

(71) Applicant: **Chih-Wei Chuang**, Bridgewater, NJ  
(US)

(72) Inventor: **Chih-Wei Chuang**, Bridgewater, NJ  
(US)

(73) Assignee: **Officemate International Corp.**,  
Edison, NJ (US)

(\*\*) Term: **14 Years**

(21) Appl. No.: **29/474,278**

(22) Filed: **Jul. 31, 2014**

(51) **LOC (10) Cl.** ..... **19-02**

(52) **U.S. Cl.**  
USPC ..... **D19/88**

(58) **Field of Classification Search**  
USPC ..... D19/86, 87, 88, 89, 90, 91, 92; D8/349,  
D8/354, 394, 395

CPC ..... B42F 9/001; B42F 9/002; B42F 9/004;  
B43L 3/005; B43L 5/02; B42D 5/005; B42D  
5/006; B42D 5/007; B42D 5/008

See application file for complete search history.

(56) **References Cited**

**U.S. PATENT DOCUMENTS**

2,489,553 A \* 11/1949 Wofford ..... A47B 23/043  
190/1  
D218,720 S \* 9/1970 Shahan ..... D10/97  
D284,976 S \* 8/1986 Hung ..... D18/2  
4,610,324 A \* 9/1986 Mexicotte ..... G01G 21/28  
177/127

D379,477 S \* 5/1997 Shamoan ..... D19/78  
5,752,615 A \* 5/1998 Hofmann ..... B65D 43/162  
220/324  
D398,650 S \* 9/1998 Shamoan ..... D19/65  
D474,599 S \* 5/2003 Shamoan ..... D3/282  
D475,748 S \* 6/2003 Shamoan ..... D19/78  
D492,358 S \* 6/2004 Chen ..... D19/65  
D528,297 S \* 9/2006 Feldmann ..... D3/273  
D580,990 S \* 11/2008 Chang ..... D19/88  
D602,090 S \* 10/2009 Kent ..... D19/88

\* cited by examiner

*Primary Examiner* — Elizabeth Albert

(74) *Attorney, Agent, or Firm* — Daniel Kirshner

(57) **CLAIM**

The ornamental design for a clipboard, as shown and described.

**DESCRIPTION**

FIG. 1 is a side perspective view of a clipboard showing the new design;

FIG. 2 is top view thereof;

FIG. 3 is a bottom view thereof;

FIG. 4 is a right side view thereof;

FIG. 5 is a left side view thereof;

FIG. 6 is a back view thereof;

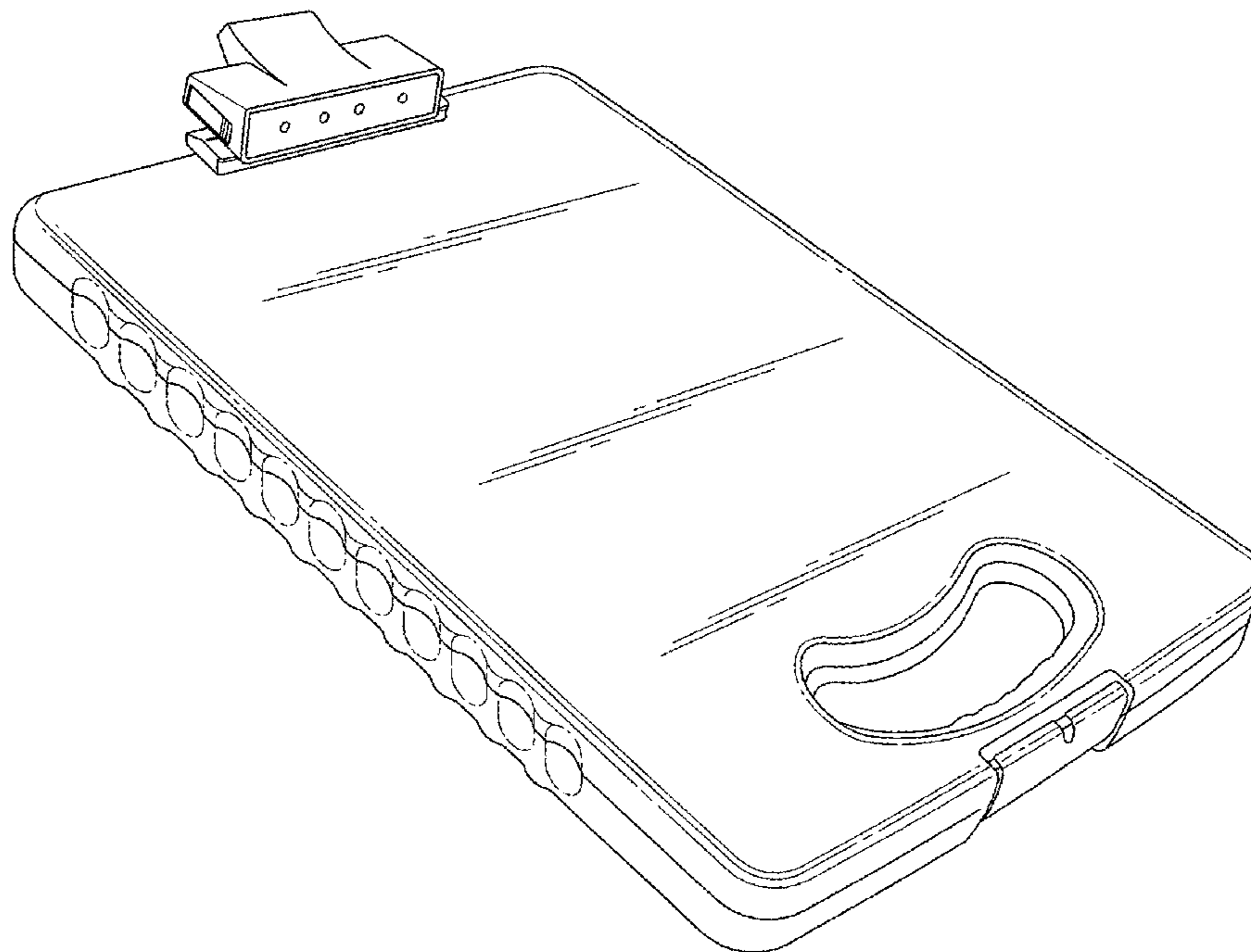
FIG. 7 is a front view thereof;

FIG. 8 is a side perspective view thereof with clipboard in open condition; and,

FIG. 9 is a side perspective view thereof with clipboard in exploded condition.

The broken lines shown in the drawings are included to show portions of the clipboard that form no part of the claimed design.

**1 Claim, 9 Drawing Sheets**



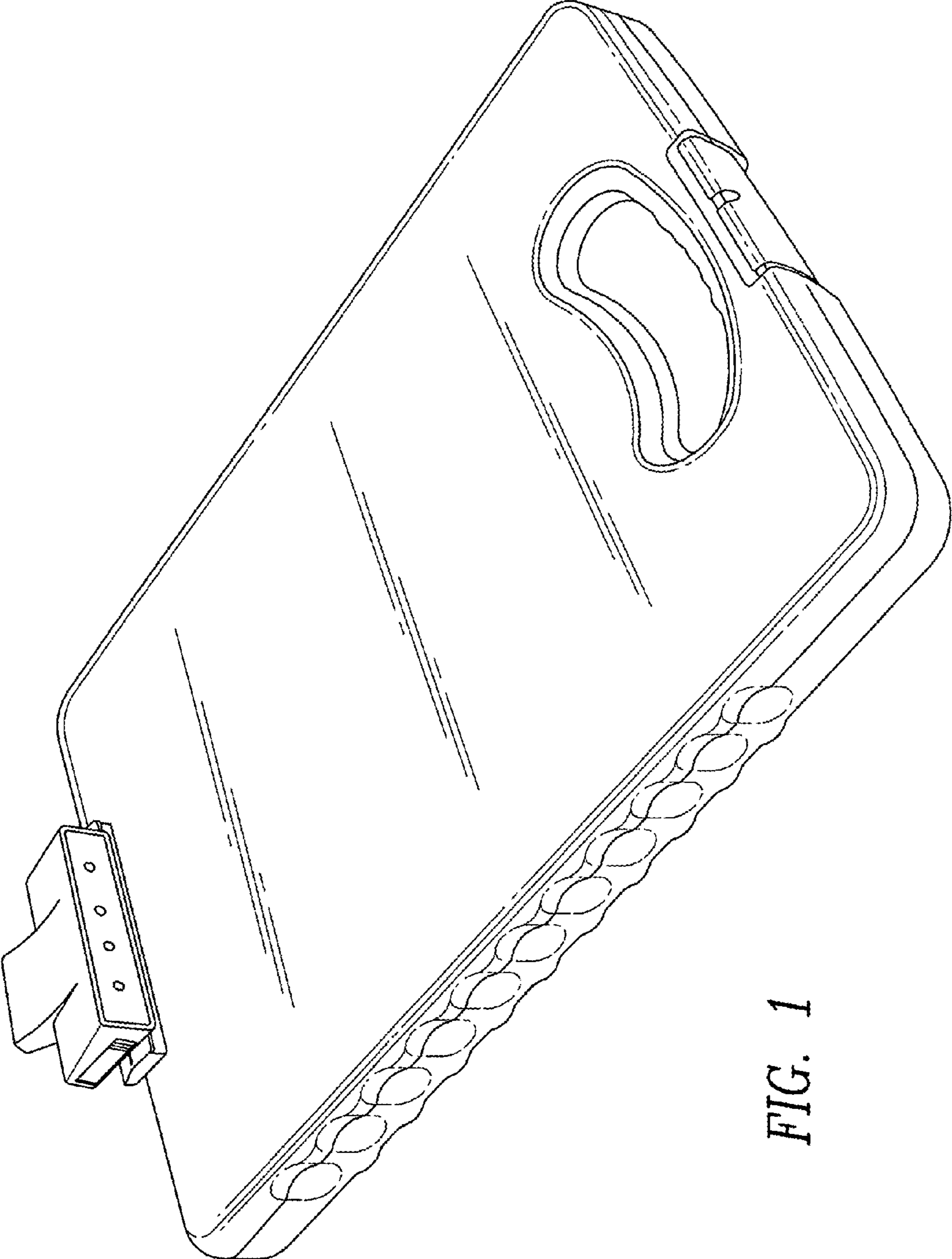


FIG. 1

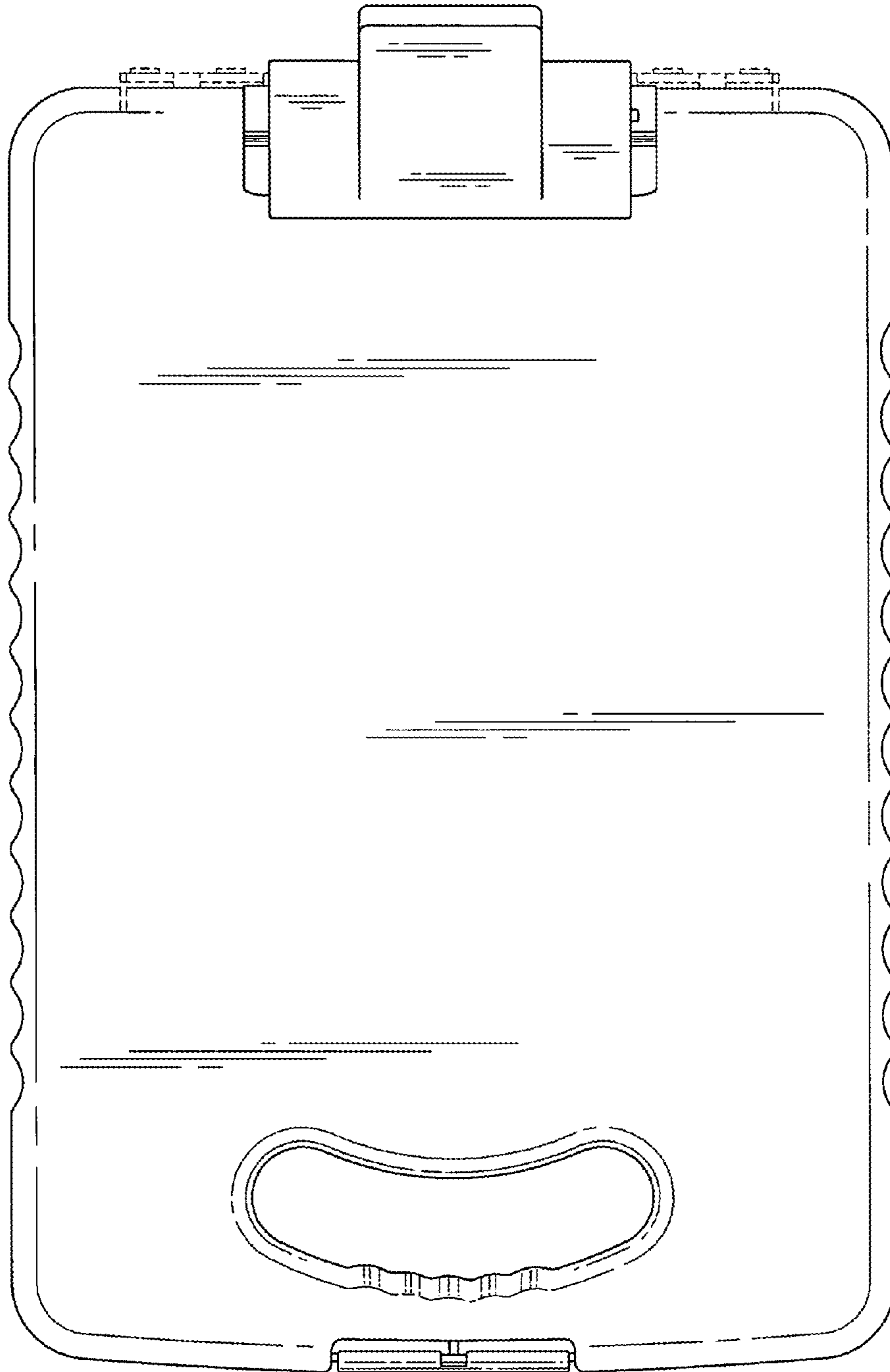


FIG. 2

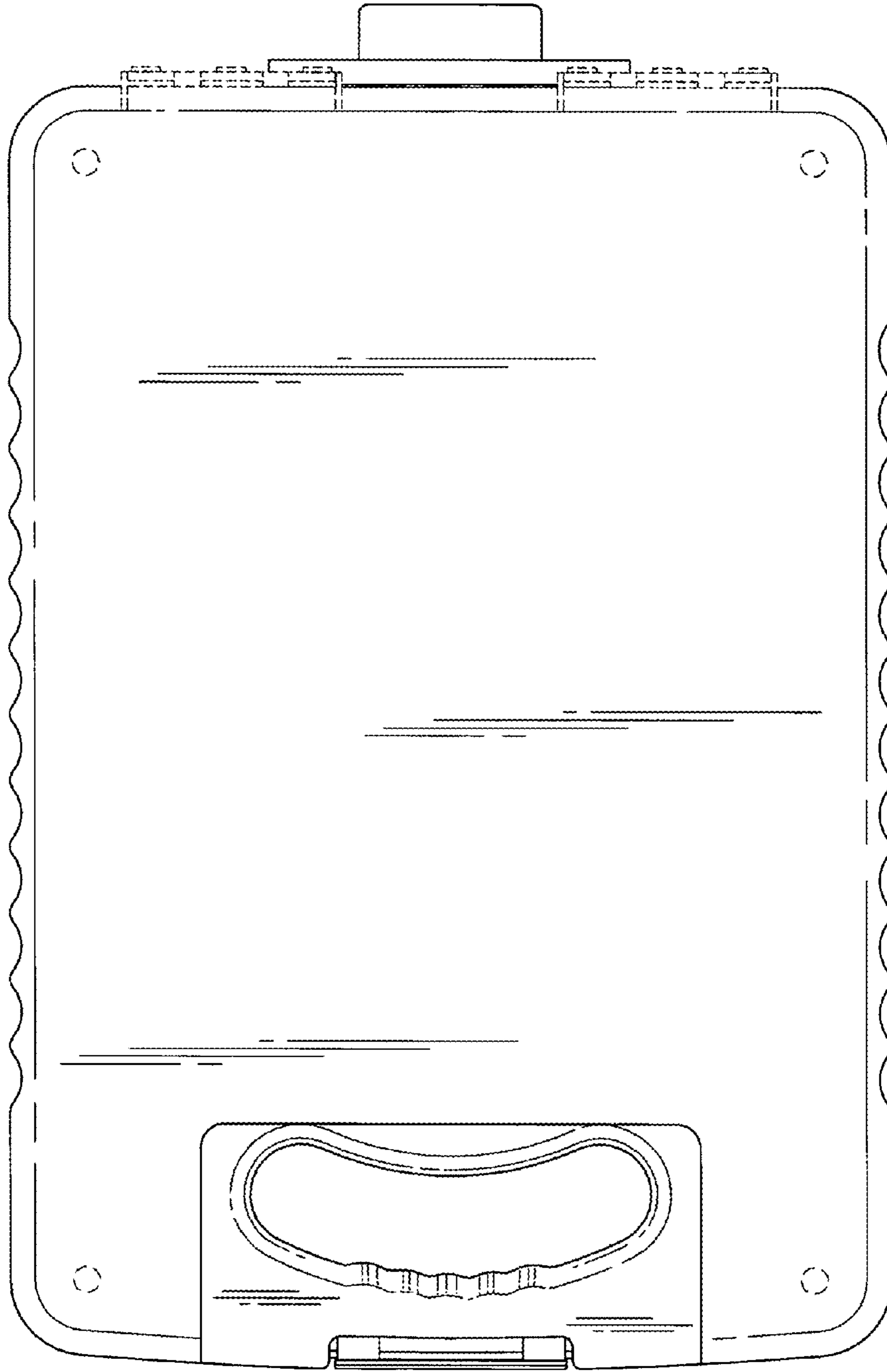


FIG. 3

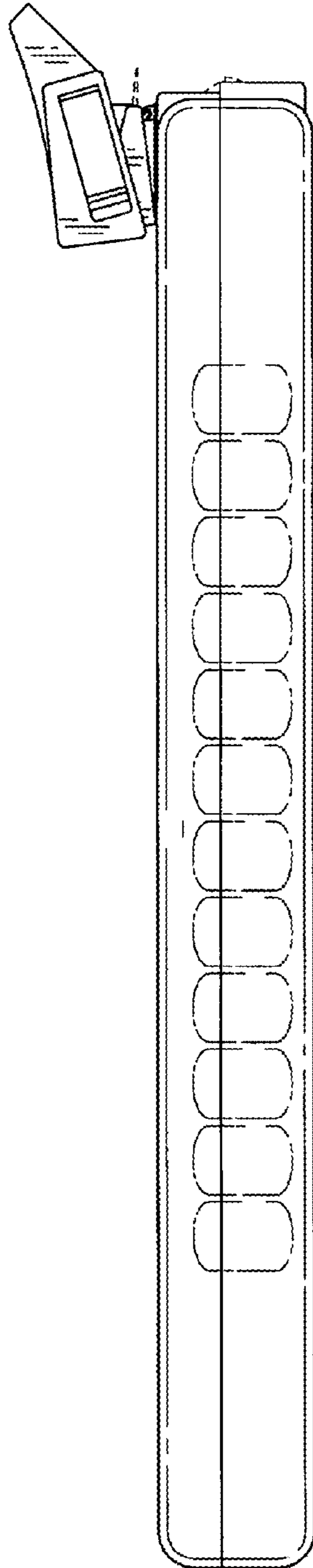


FIG. 4

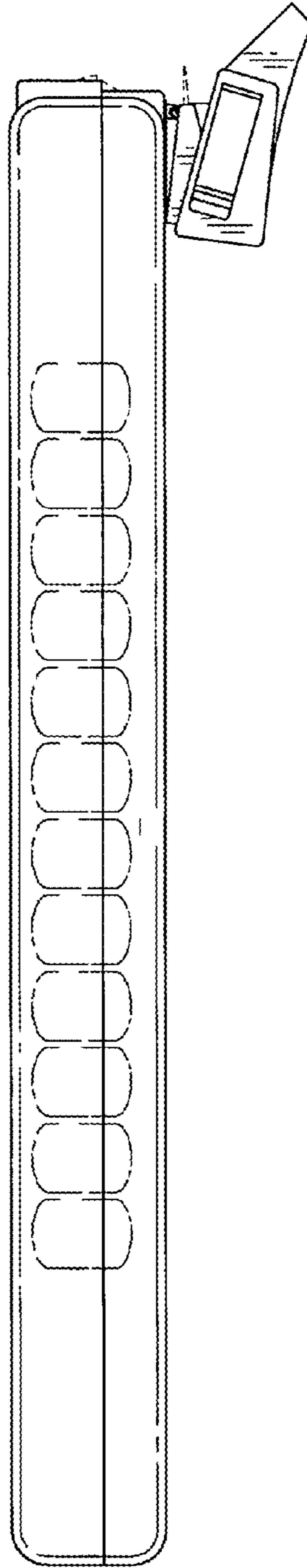


FIG. 5

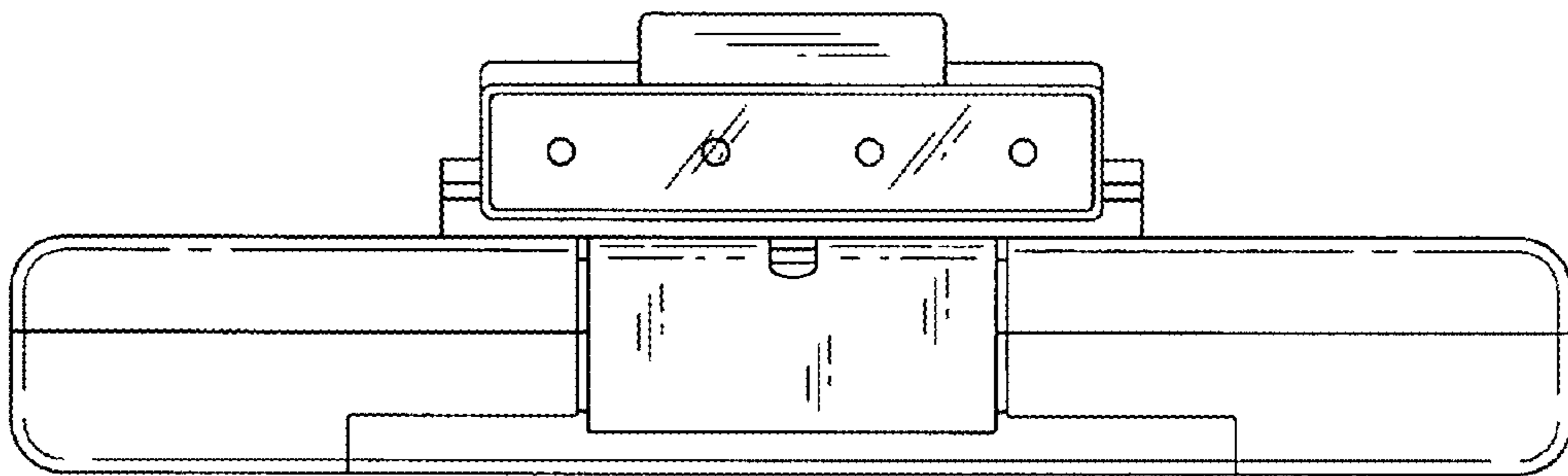
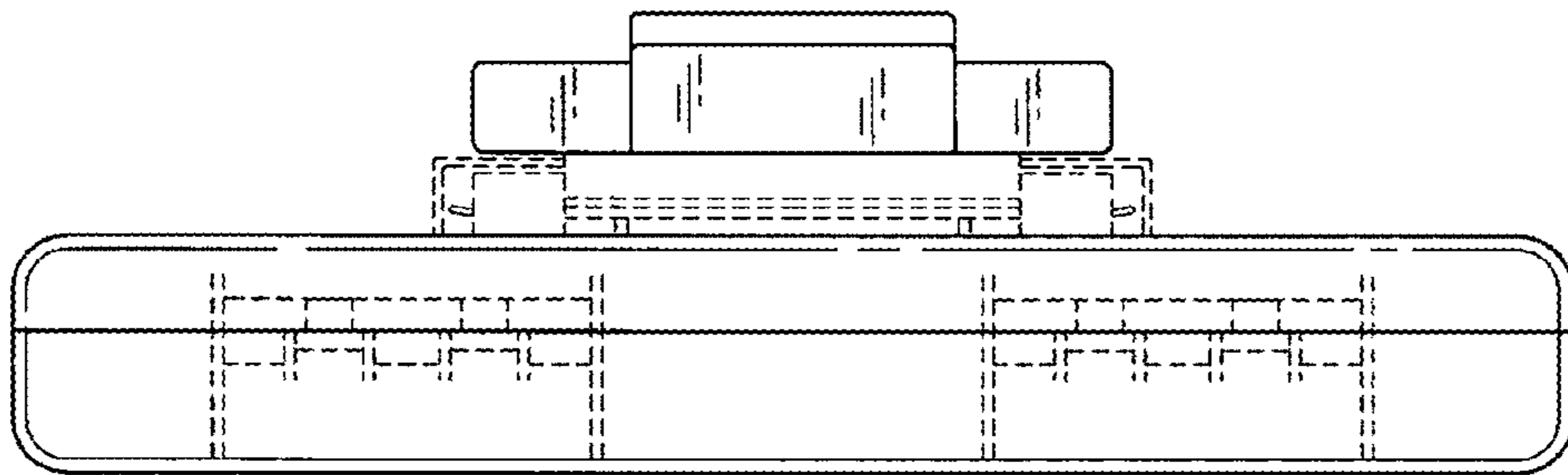


FIG. 6



*FIG. 7*



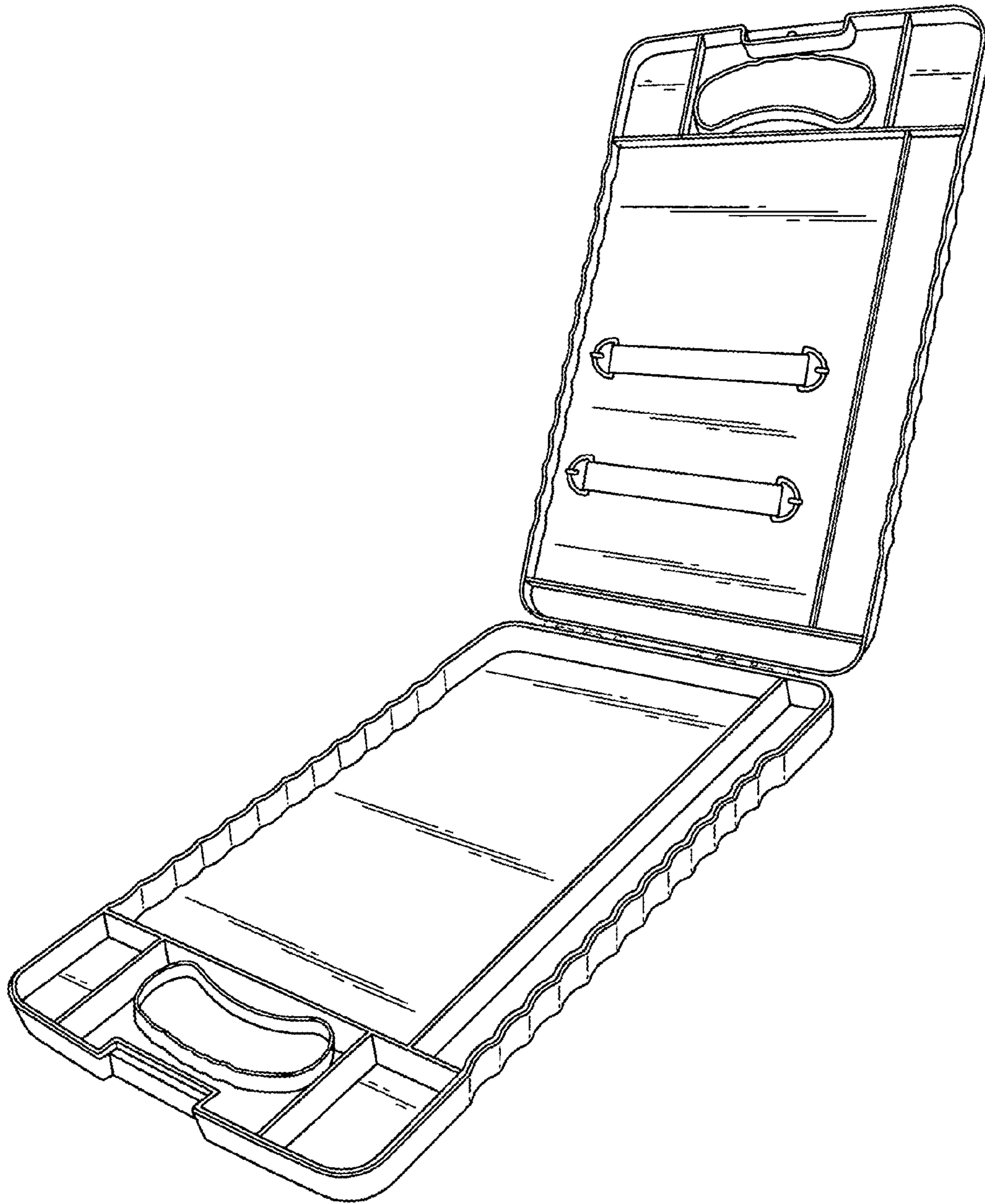


FIG. 8

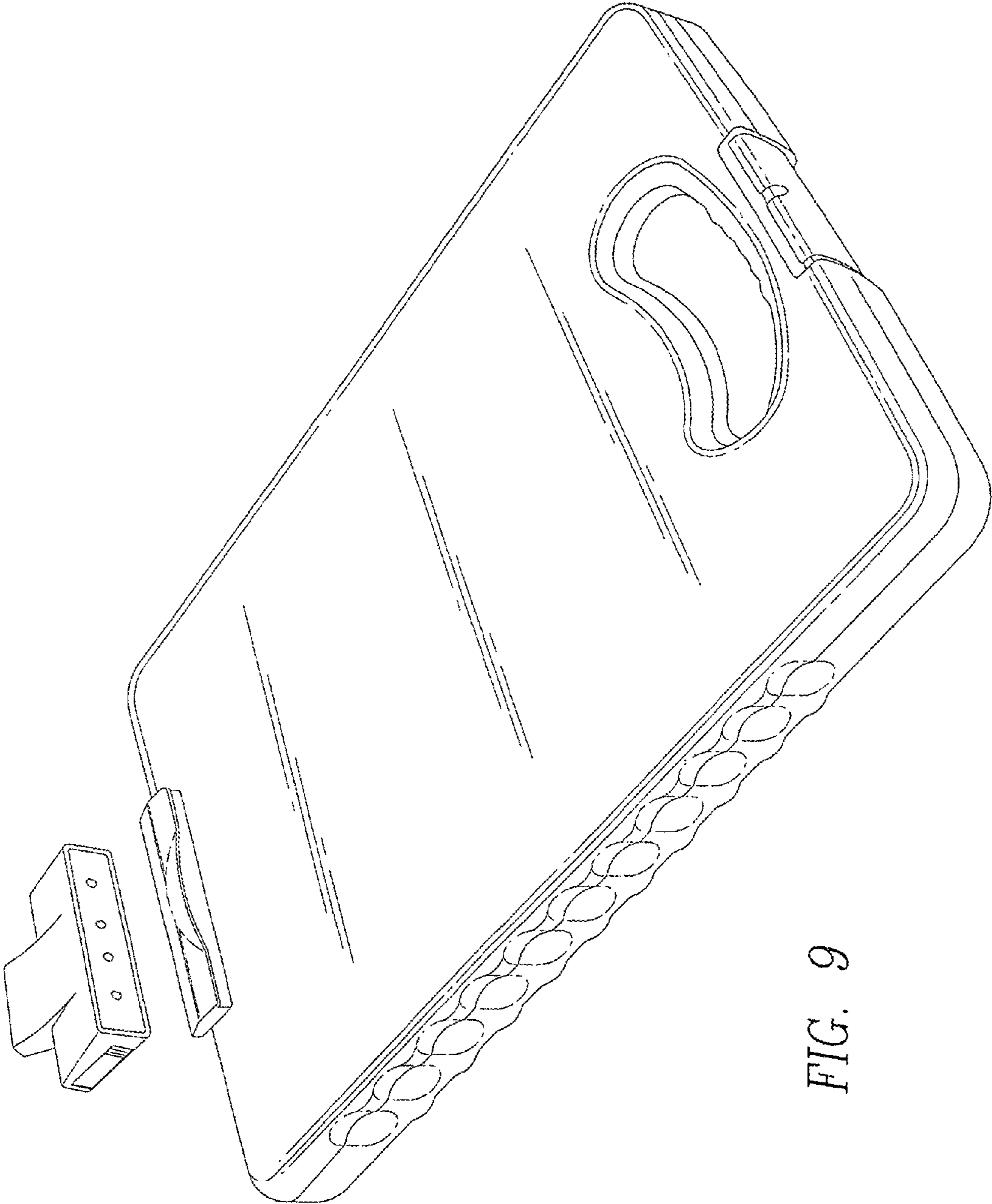


FIG. 9