



US00D753763S

(12) **United States Design Patent**
Karabachian et al.

(10) **Patent No.:** **US D753,763 S**
(45) **Date of Patent:** **** Apr. 12, 2016**

(54) **PAPERCLIP HOLDER**

(71) Applicants: **Sevak Karabachian**, Pasadena, CA
(US); **Grace Janoyan**, Pasadena, CA
(US); **Hrag Saboundjian**, Altadena, CA
(US)

(72) Inventors: **Sevak Karabachian**, Pasadena, CA
(US); **Grace Janoyan**, Pasadena, CA
(US); **Hrag Saboundjian**, Altadena, CA
(US)

(**) Term: **14 Years**

(21) Appl. No.: **29/507,620**

(22) Filed: **Oct. 29, 2014**

(51) **LOC (10) Cl.** **19-02**

(52) **U.S. Cl.**
USPC **D19/75**

(58) **Field of Classification Search**
USPC D3/206, 266; D6/678.4, 705.6, 705.7;
D7/600.1; D19/75-92; D9/601, 609;
D21/584, 611

CPC A47B 63/00; A47F 7/14; A47F 7/145;
B42F 7/00; B42F 7/02; B42F 7/10; B42F
17/02; B42F 17/08

See application file for complete search history.

(56) **References Cited**

U.S. PATENT DOCUMENTS

1,336,434 A * 4/1920 Humbert A63H 3/16
446/100
D64,336 S * 4/1924 Berger D21/592
D72,237 S * 3/1927 Plooster D21/611

D81,192 S * 5/1930 Howell D21/611
D97,620 S * 11/1935 Stronach D21/611
D100,320 S * 7/1936 Fales D11/51
2,134,063 A * 10/1938 Turchanyi A63H 3/06
446/221
D137,490 S * 3/1944 Flynt D21/592
2,496,951 A * 2/1950 Menzin A63H 9/00
403/107
D178,558 S * 8/1956 Uttz D21/611
D186,323 S * 10/1959 Kinniburgh D21/611
D193,720 S * 10/1962 Him D21/611
D218,138 S * 7/1970 Smith D1/110
D266,658 S * 10/1982 Carbajales
Santa-Eulalia D11/158
D279,659 S * 7/1985 Carbajales
Santa-Eulalia D11/158
D525,533 S * 7/2006 Edwards D9/609
D558,935 S * 1/2008 Rutherford D21/611
D559,476 S * 1/2008 Rutherford D21/611

* cited by examiner

Primary Examiner — Elizabeth Albert

(74) *Attorney, Agent, or Firm* — Berliner Steffin AZOD LLP

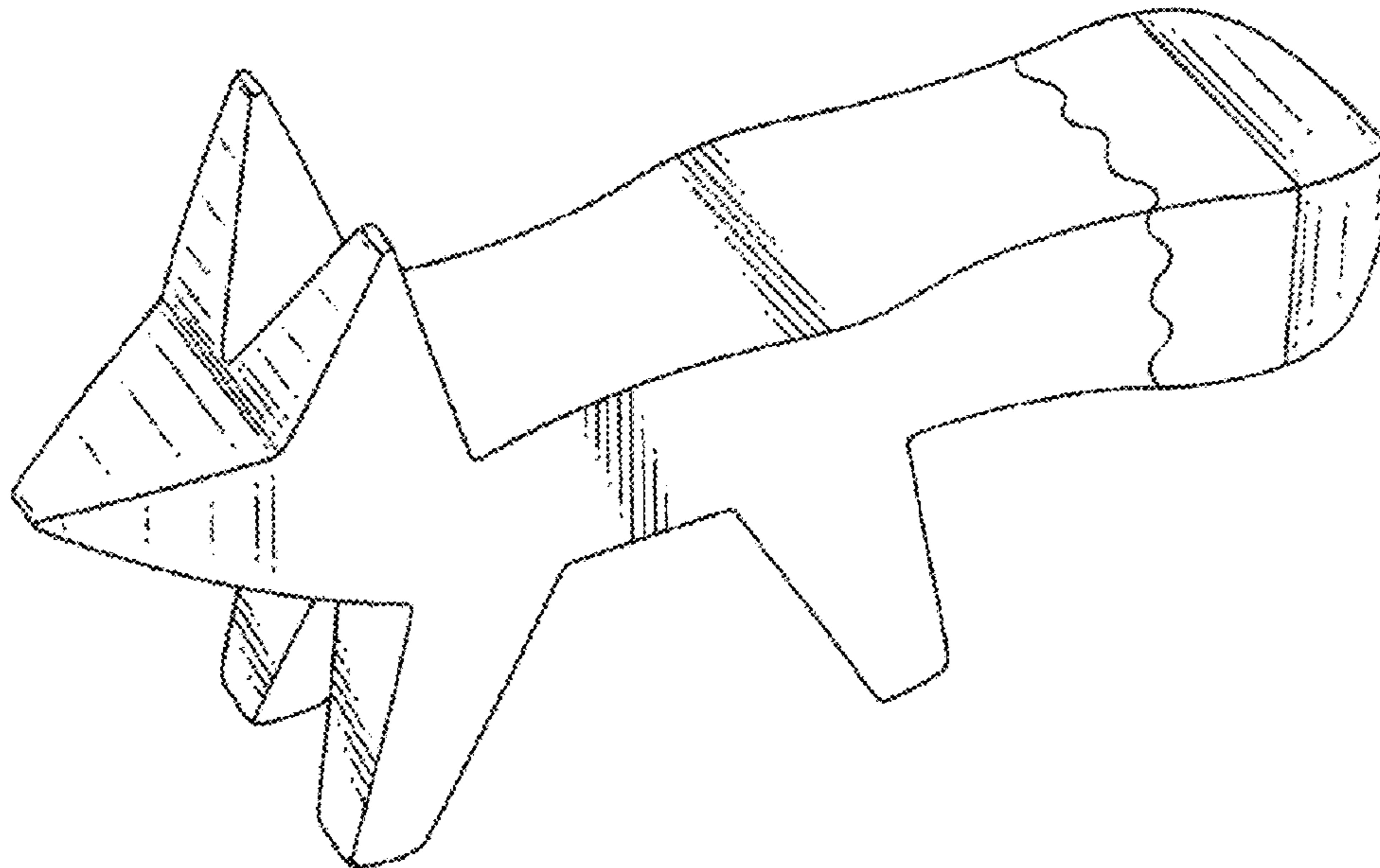
(57) **CLAIM**

The ornamental design for a paperclip holder, as shown and described.

DESCRIPTION

FIG. 1 is a perspective view of the paperclip holder;
FIG. 2 is a right side elevation view of view thereof;
FIG. 3 is a left side elevation view of view thereof;
FIG. 4 is a top plan view thereof;
FIG. 5 is a bottom plan view thereof;
FIG. 6 is a front elevation view thereof; and,
FIG. 7 is a rear elevation view thereof.

1 Claim, 2 Drawing Sheets



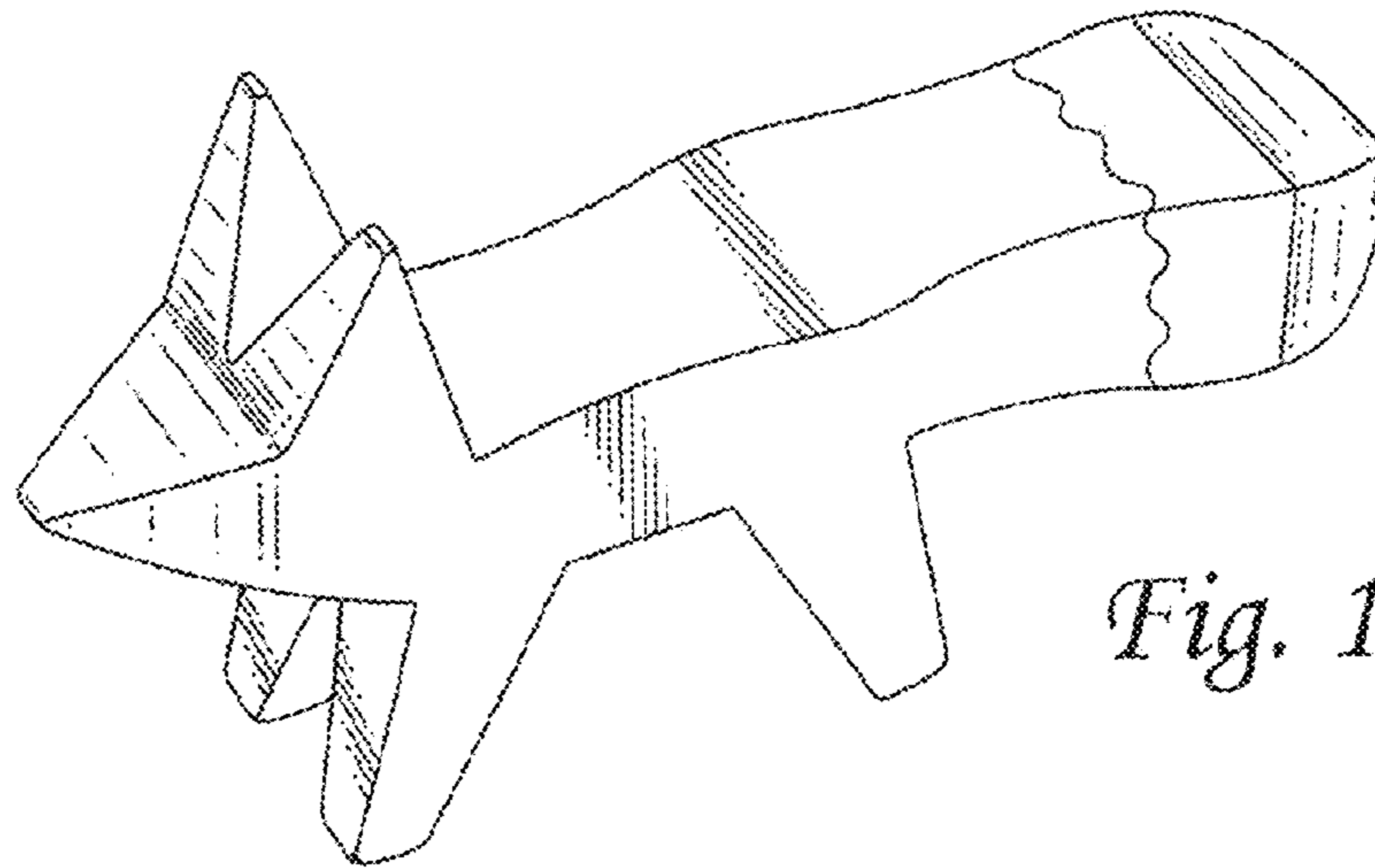


Fig. 1

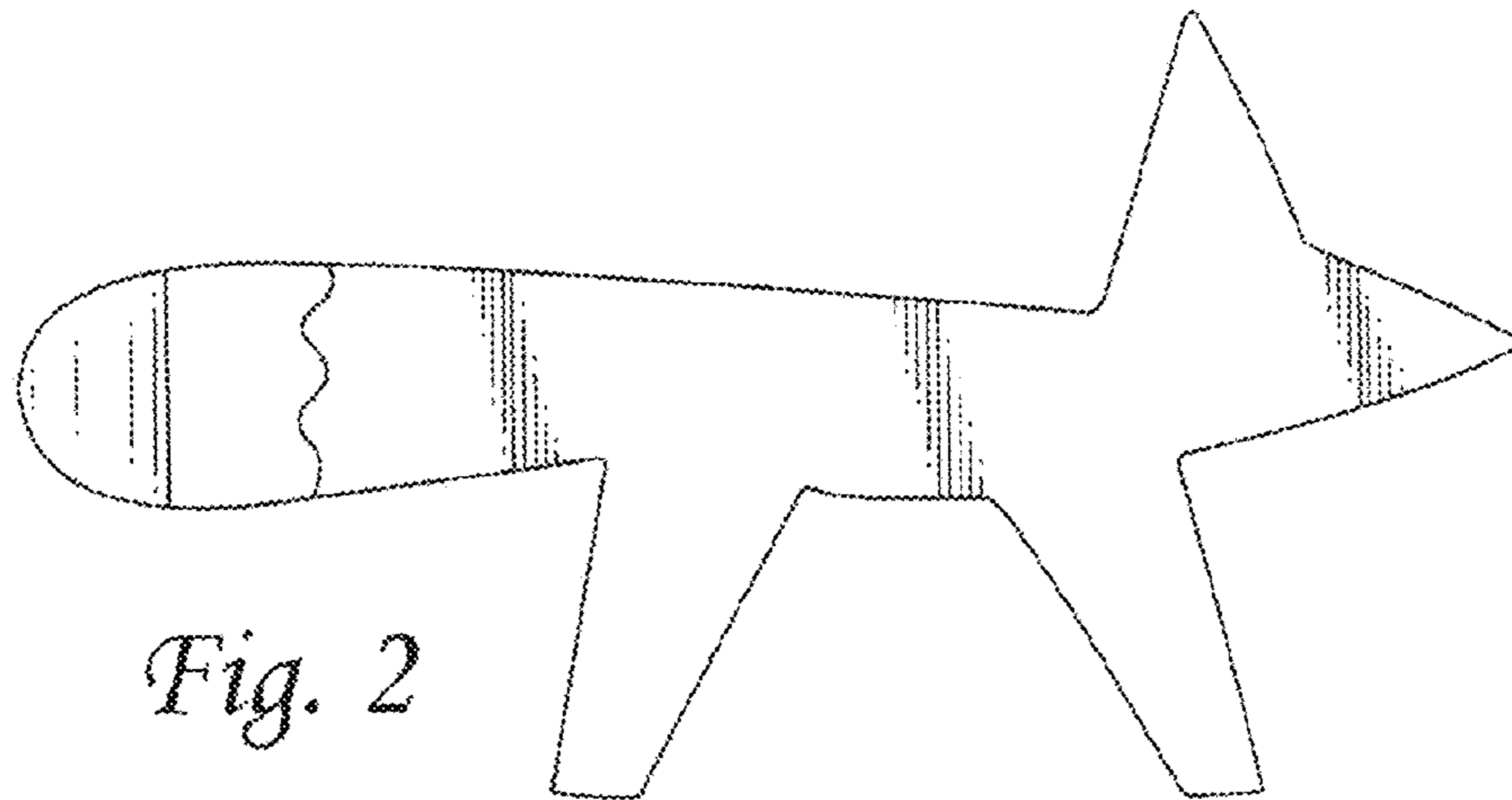


Fig. 2

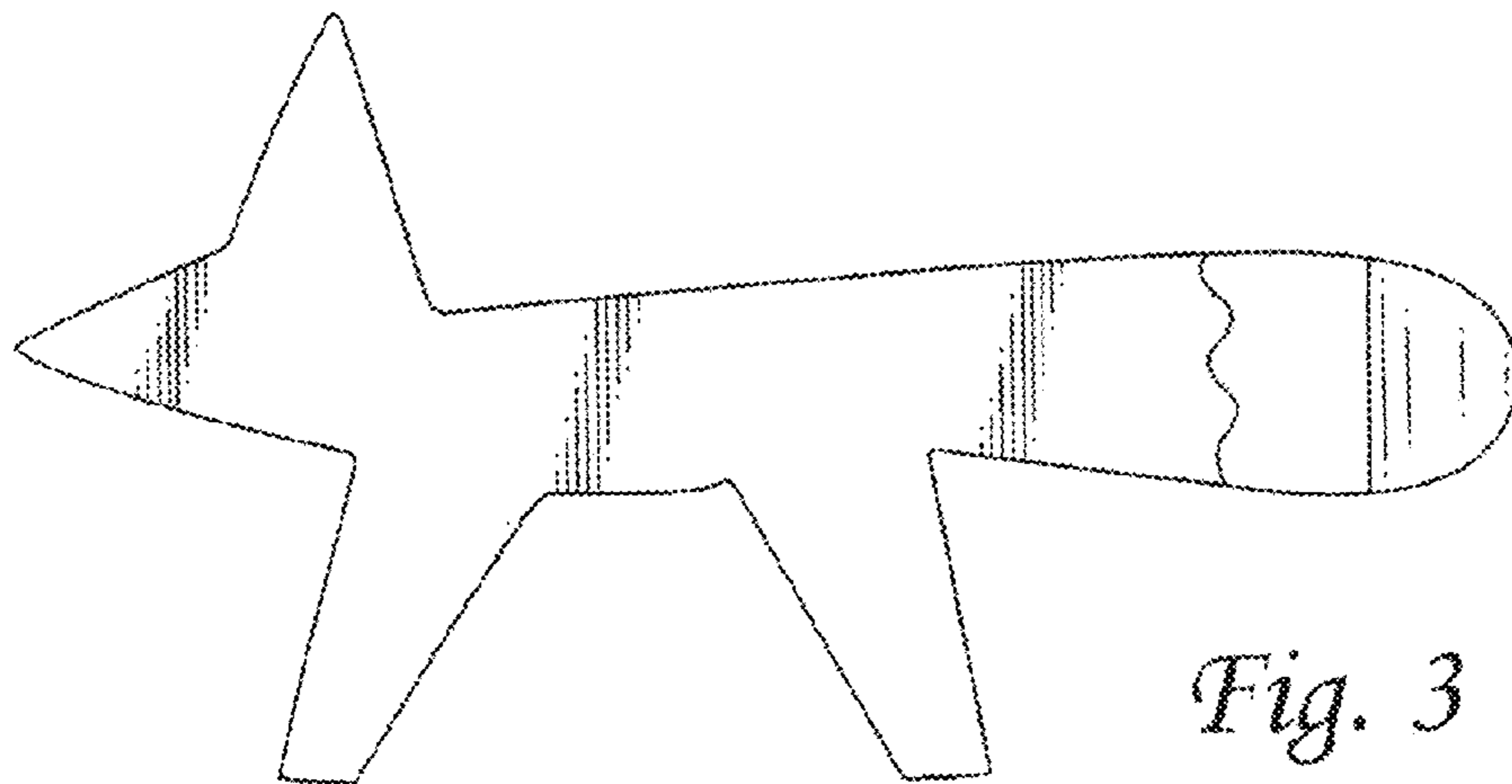


Fig. 3

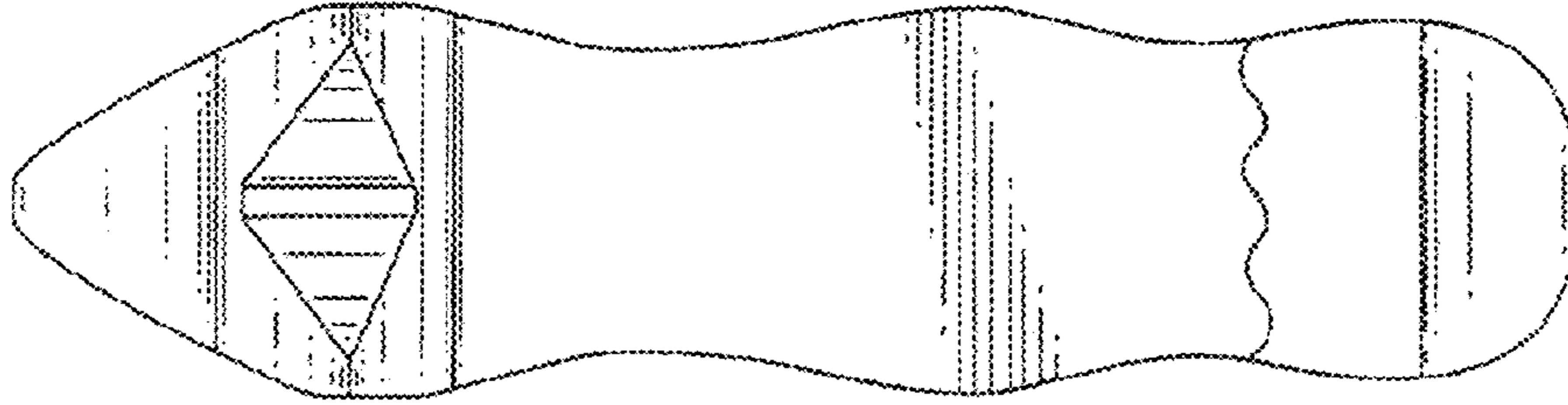


Fig. 4

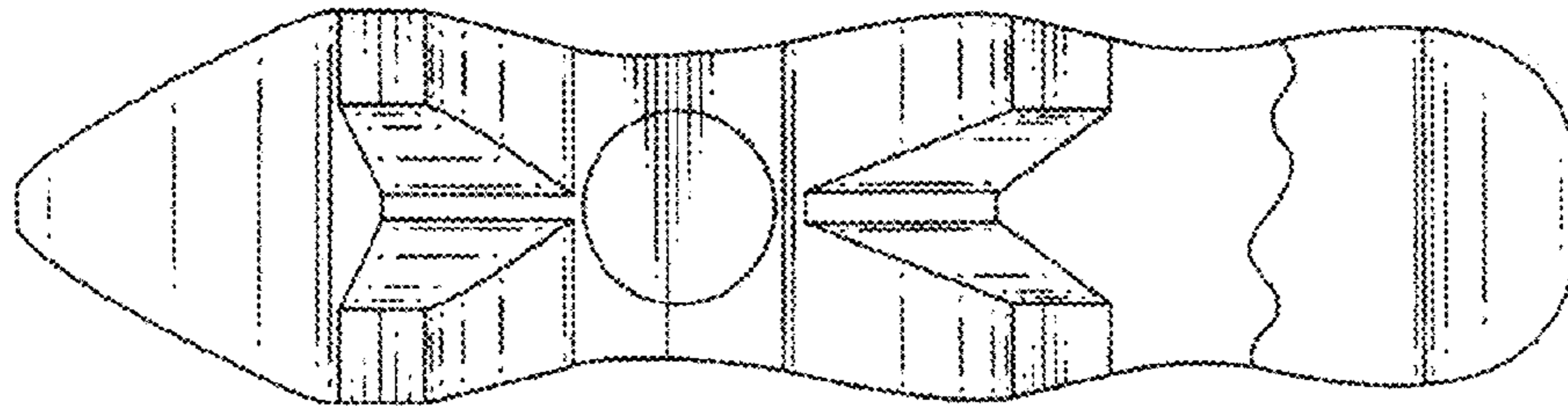


Fig. 5

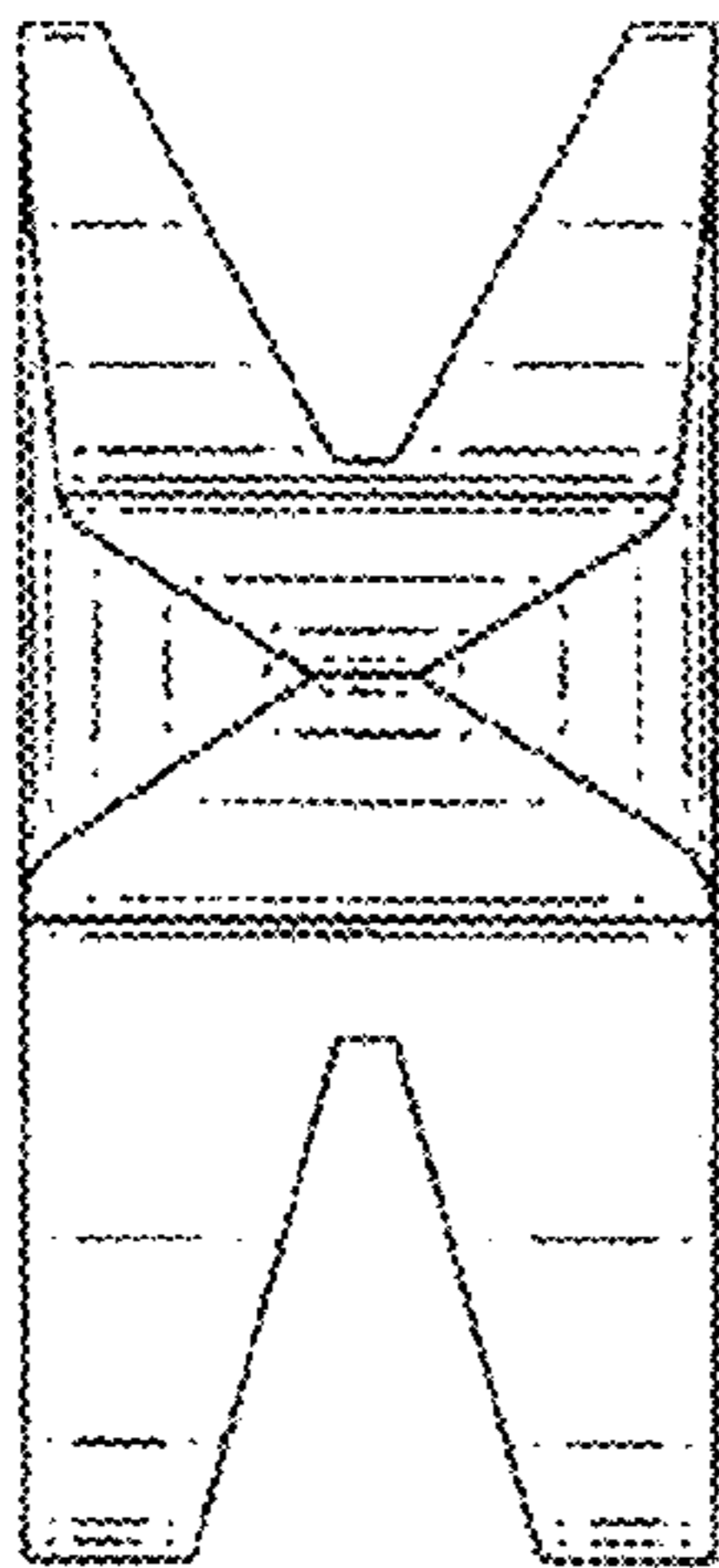


Fig. 6

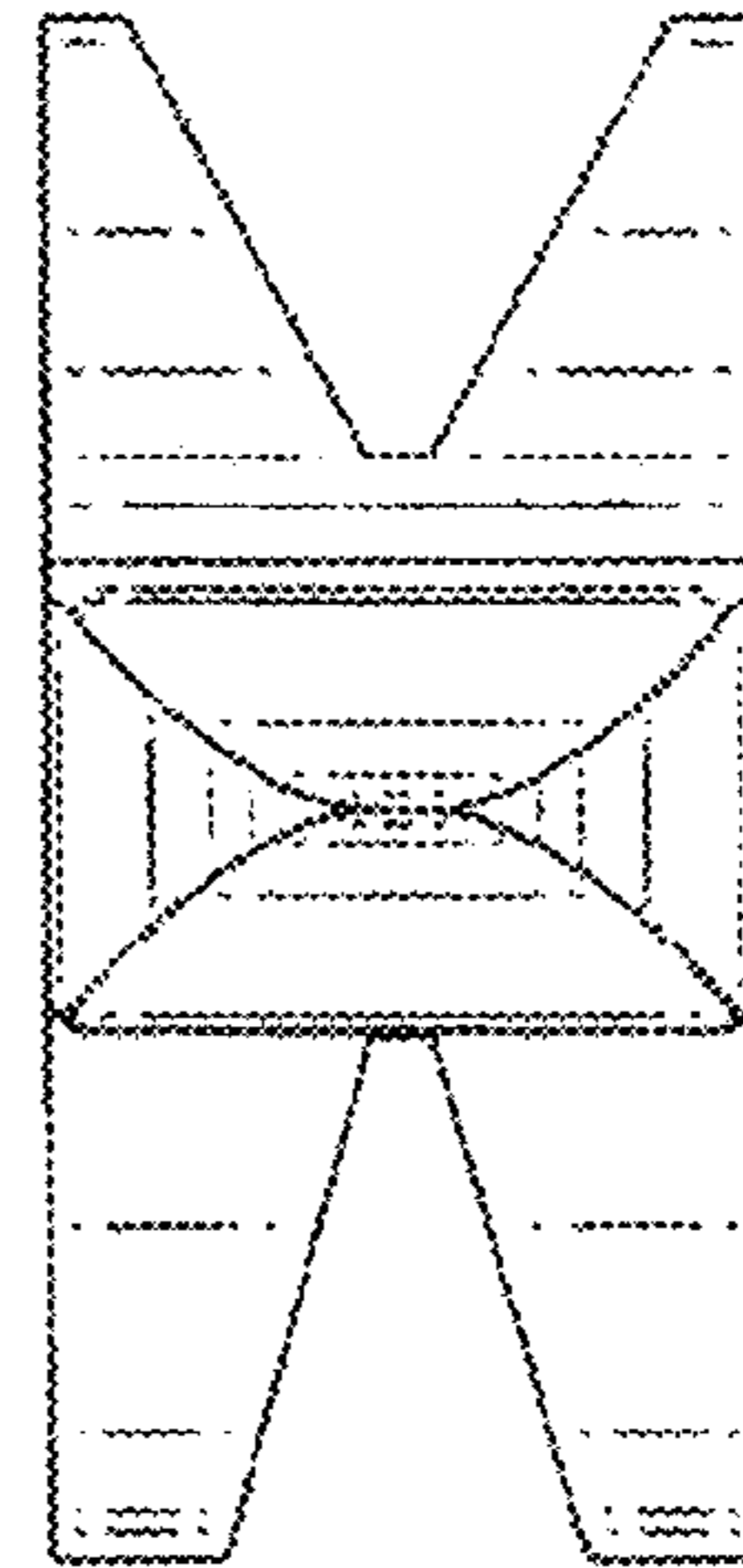


Fig. 7