



US00D753762S

(12) **United States Design Patent**
Chandaria

(10) **Patent No.:** **US D753,762 S**
(45) **Date of Patent:** **** Apr. 12, 2016**

- (54) **TAPE DISPENSER**
- (71) Applicant: **Kitaru Innovations Inc.**, Warren, St. Michael (BB)
- (72) Inventor: **Kapoor Chandaria**, Westlands (KE)
- (73) Assignee: **Kitaru Innovations Inc.**, Warrens, St. Michael (BB)
- (**) Term: **14 Years**
- (21) Appl. No.: **29/512,529**
- (22) Filed: **Dec. 19, 2014**
- (51) **LOC (10) Cl.** **19-02**
- (52) **U.S. Cl.**
USPC **D19/69**
- (58) **Field of Classification Search**
USPC D19/70, 69, 36, 68; 242/588.6, 588.2; 225/77, 6, 56, 39, 26, 25, 19, 11; 206/411; 156/577, 527, 523
CPC B65H 35/0026; B65H 35/0073; B65H 35/0033; B65H 35/007; B26F 3/02
See application file for complete search history.

D533,594 S *	12/2006	Gullicks	D19/69
D533,905 S *	12/2006	Gullicks	D19/69
D534,589 S *	1/2007	Gullicks	D19/69
D568,400 S *	5/2008	Packard	D19/69
D573,645 S *	7/2008	Sommers	D19/69
D588,646 S	3/2009	Vulpitta		
D591,354 S	4/2009	Vulpitta		
8,191,597 B2	6/2012	Vulpitta		
D664,201 S *	7/2012	Packard	D19/69
D665,027 S *	8/2012	Packard	D19/69
D687,102 S *	7/2013	Chandaria	D19/69
8,479,794 B2	7/2013	Vulpitta		
D700,240 S *	2/2014	Chapin	D19/69
8,813,806 B2	8/2014	Vulpitta		
2010/0084450 A1	4/2010	Vulpitta		
2012/0111812 A1	5/2012	Bahr		
2012/0325409 A1	12/2012	Vulpitta		
2013/0264016 A1	10/2013	Vulpitta		

* cited by examiner

Primary Examiner — Austin Murphy

(74) *Attorney, Agent, or Firm* — Sand & Sebolt

(57) **CLAIM**

The ornamental design for a tape dispenser, as shown and described.

DESCRIPTION

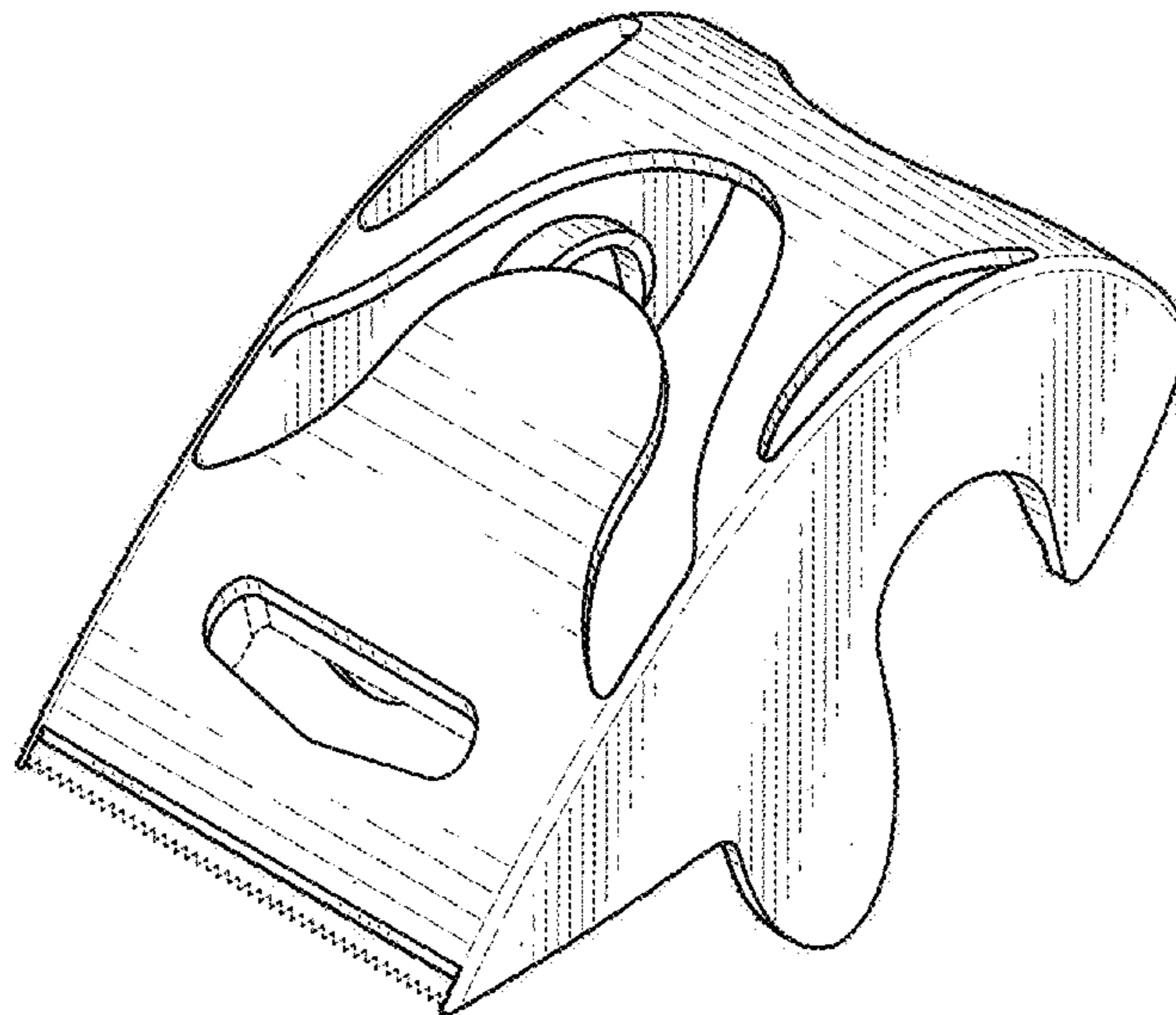
FIG. 1 is an isometric perspective view of the tape dispenser; FIG. 2 is a front view thereof; FIG. 3 is a rear view thereof; FIG. 4 is a right side view thereof; FIG. 5 is a left side view thereof; FIG. 6 is a top plan view thereof; and, FIG. 7 is a bottom plan view thereof. The broken lines illustrate portions of the tape dispenser which form no part of the claimed design.

1 Claim, 5 Drawing Sheets

(56) **References Cited**

U.S. PATENT DOCUMENTS

D259,643 S *	6/1981	Pearson	D19/69
4,961,525 A	10/1990	Corbo et al.		
5,071,051 A	12/1991	Corbo et al.		
D362,684 S *	9/1995	Samuelson	D19/67
D423,054 S *	4/2000	Harris	D19/67
D442,227 S *	5/2001	Carlson	D19/67
D448,413 S *	9/2001	Carlson	D19/67
D490,469 S *	5/2004	Chandaria	D19/67
D507,020 S *	7/2005	Mueller	D19/67
D529,093 S *	9/2006	Gullicks	D19/69



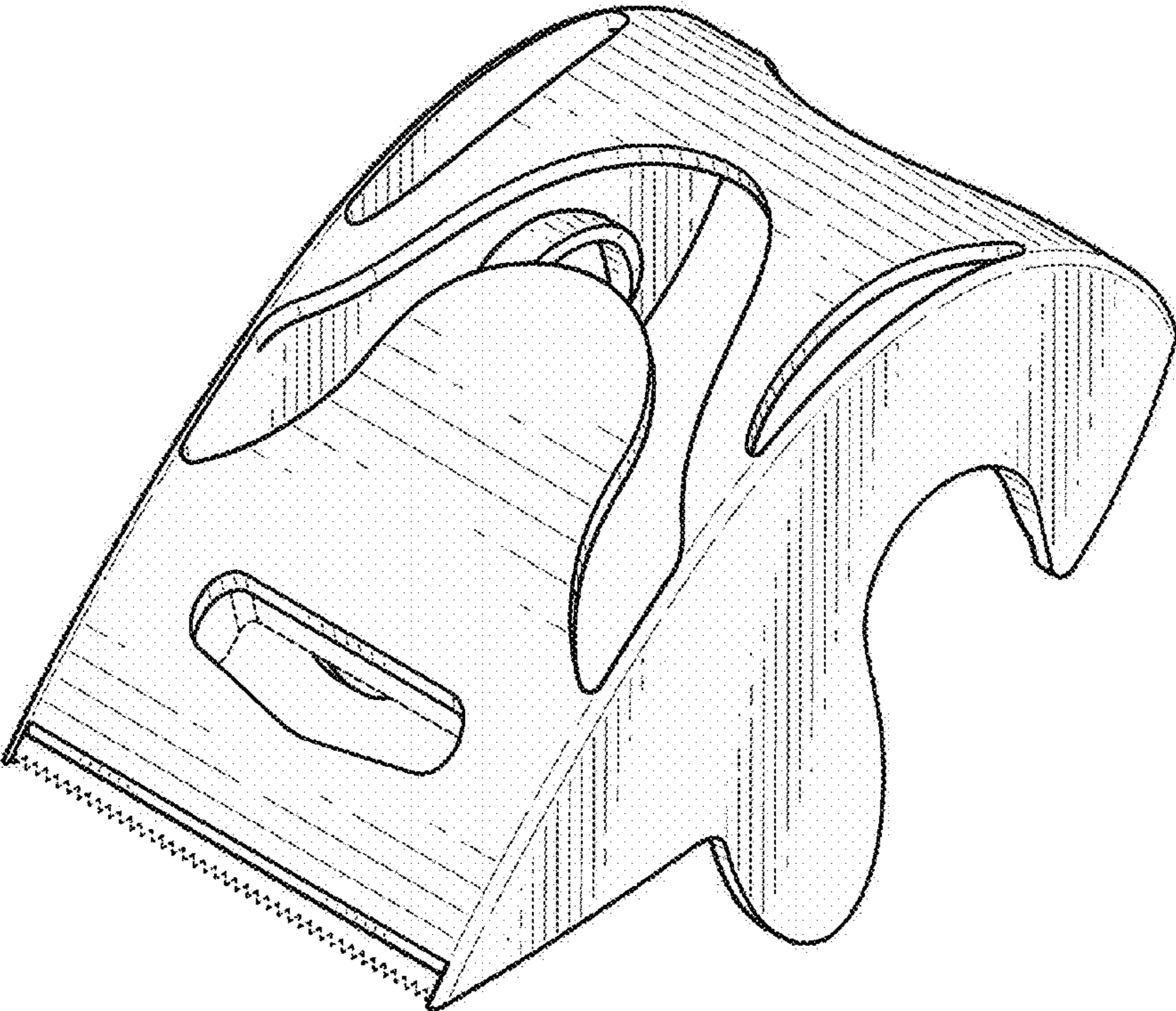


FIG-1

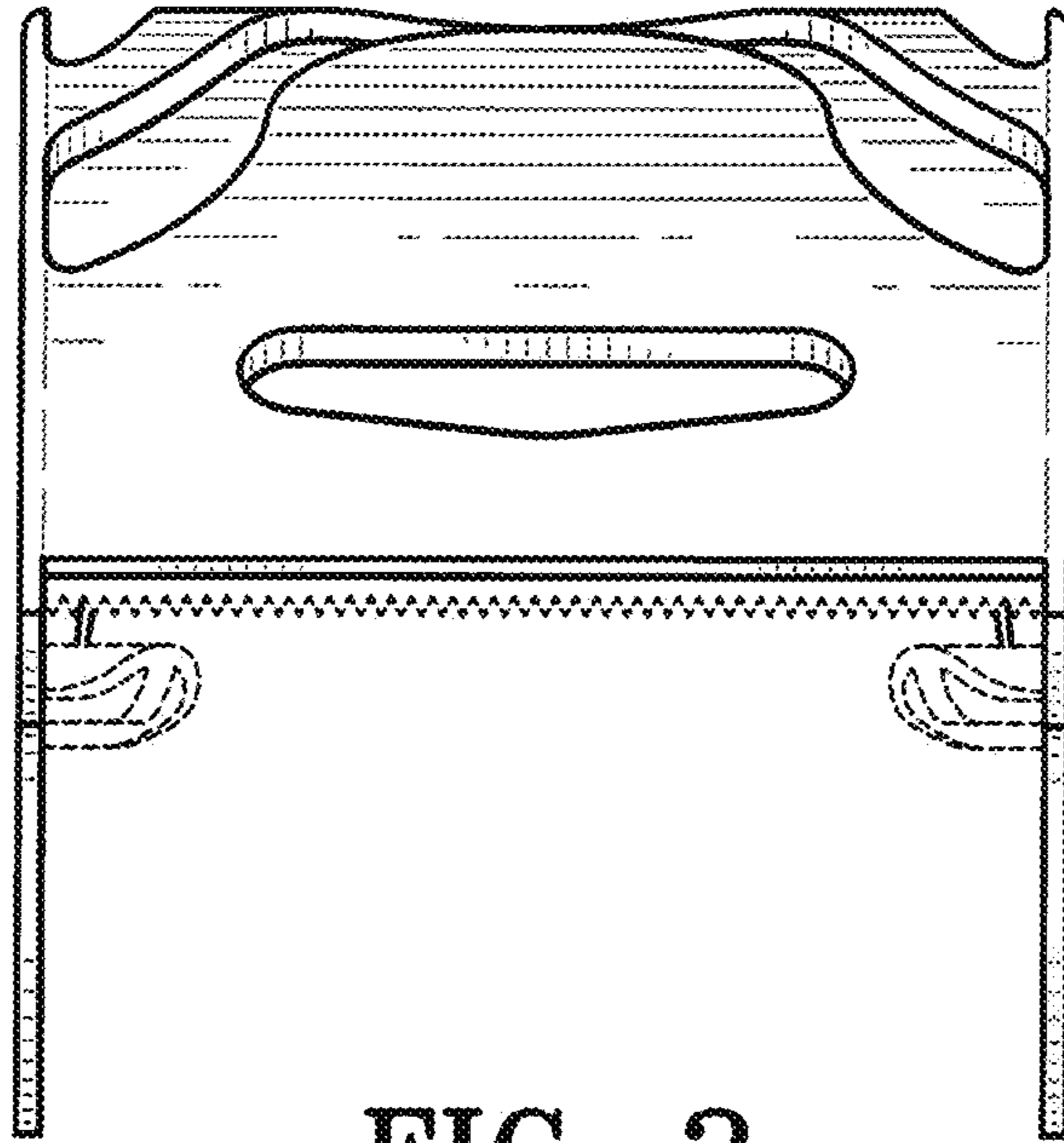


FIG-2

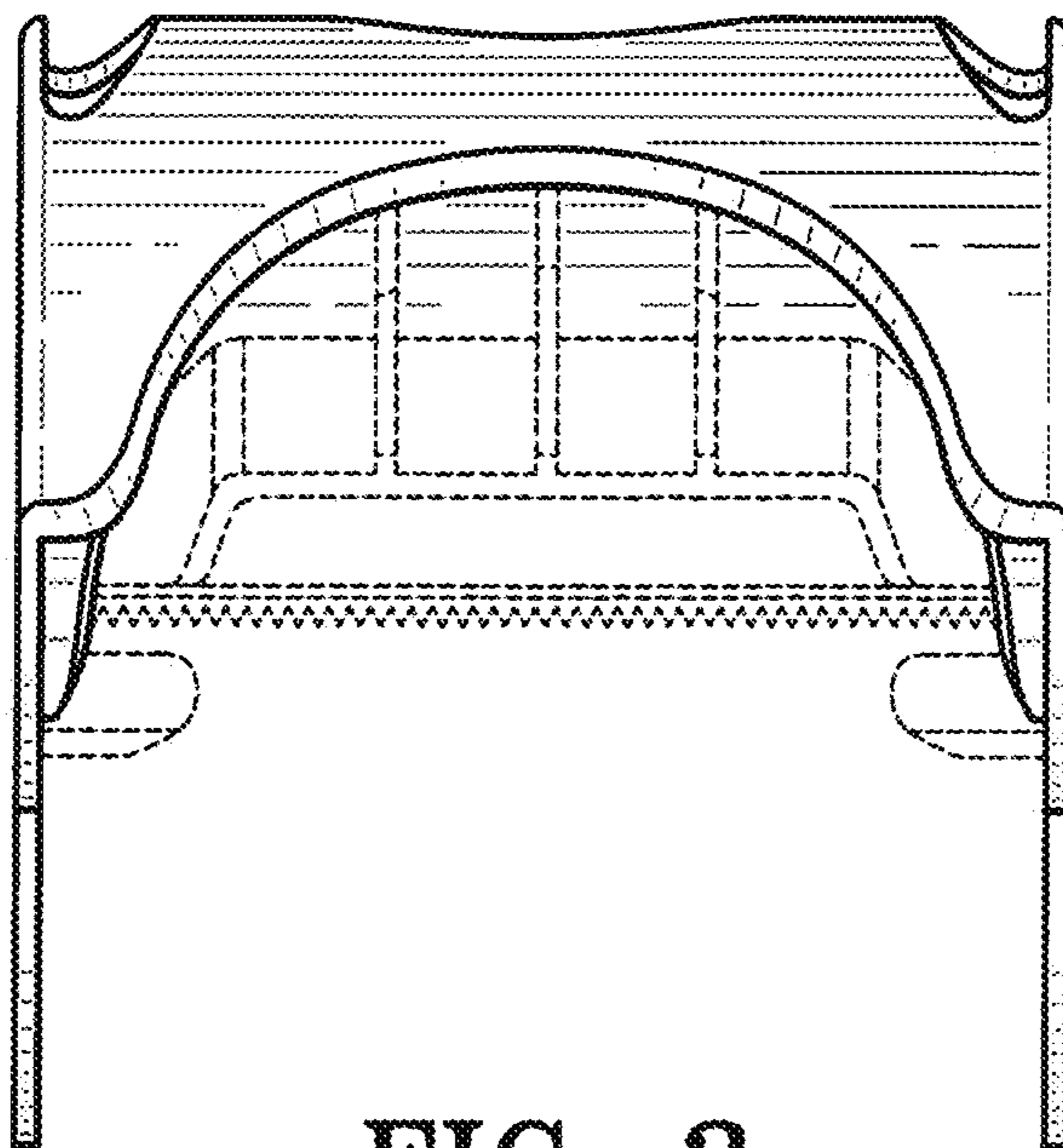


FIG-3

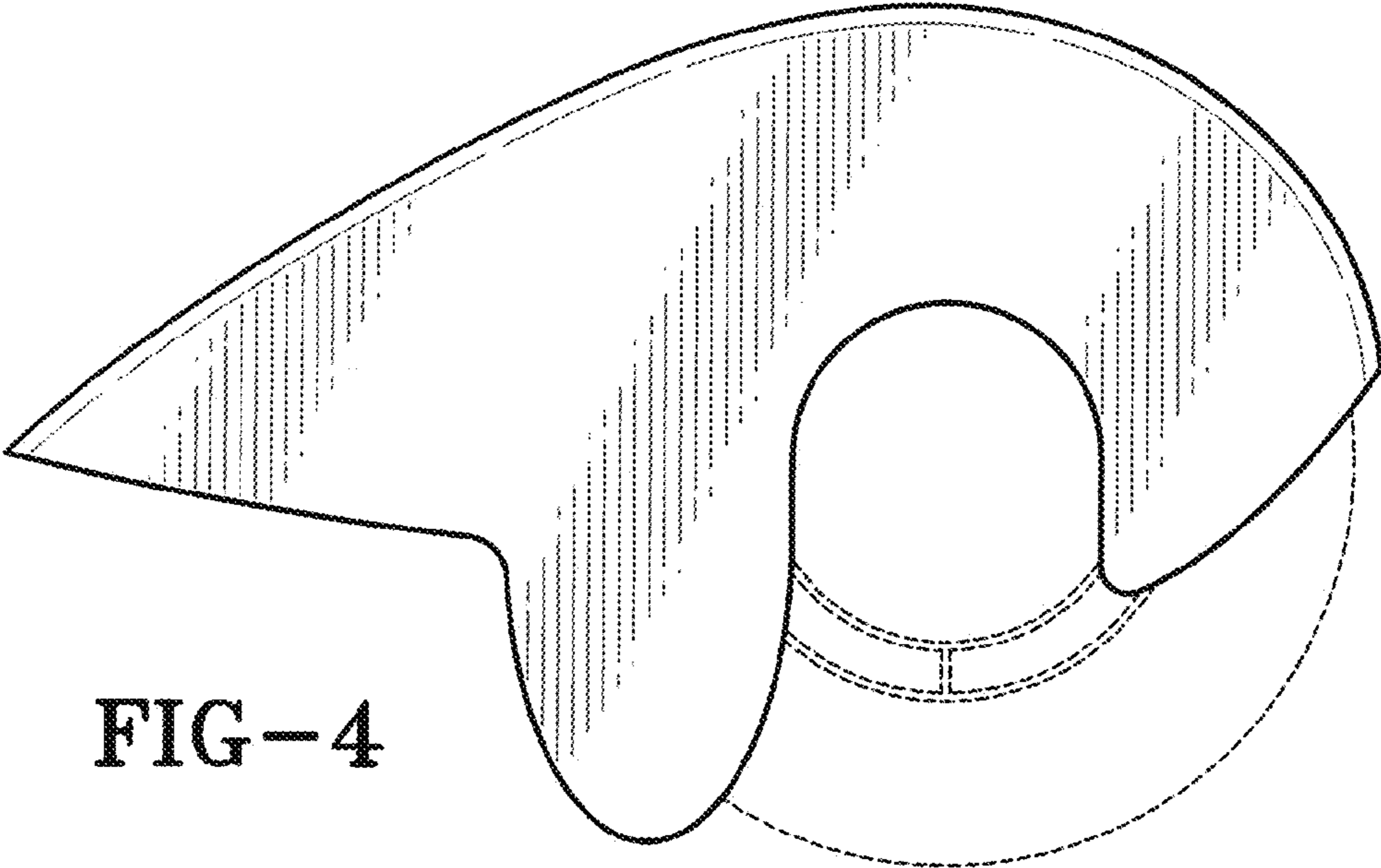


FIG-4

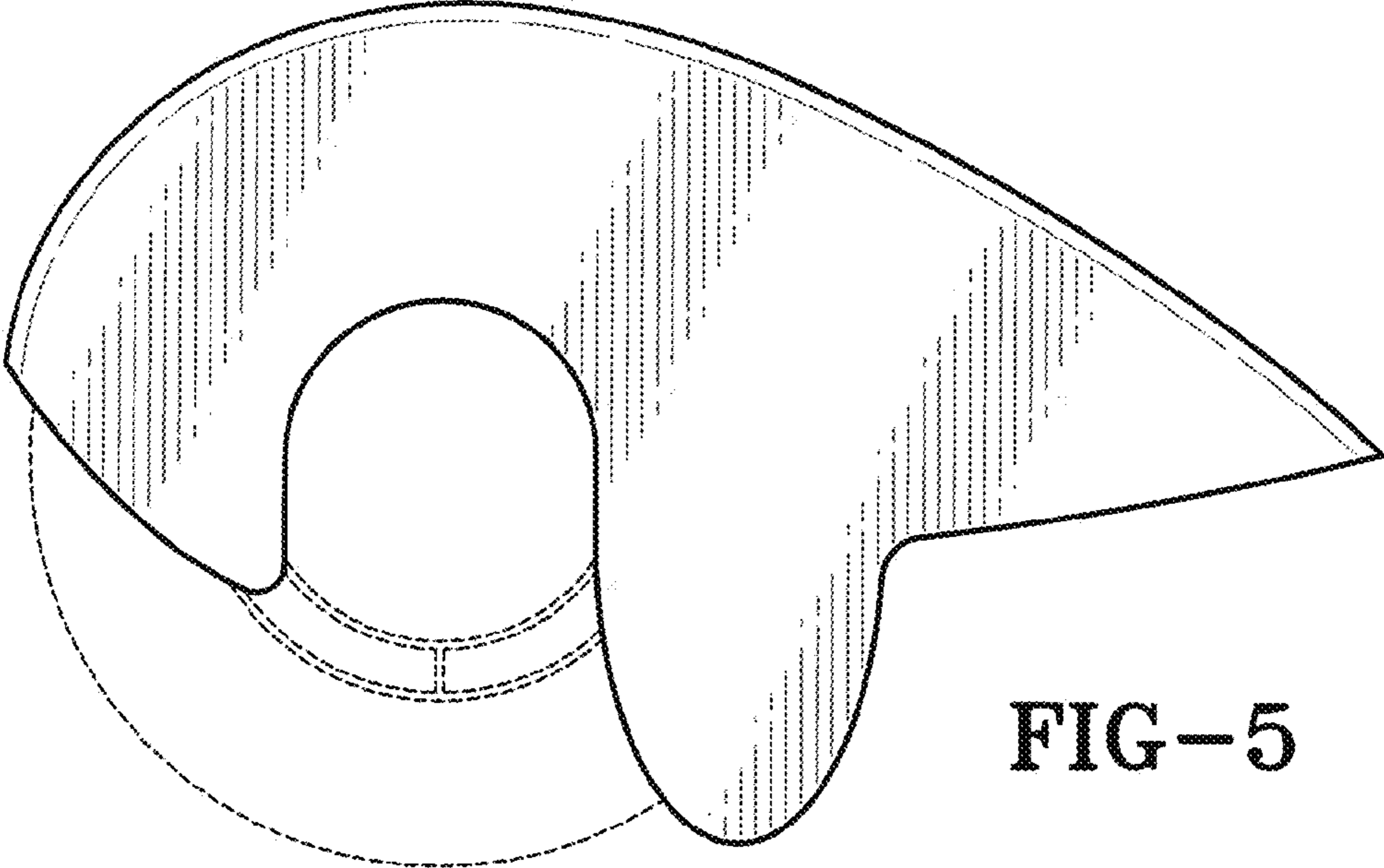


FIG-5

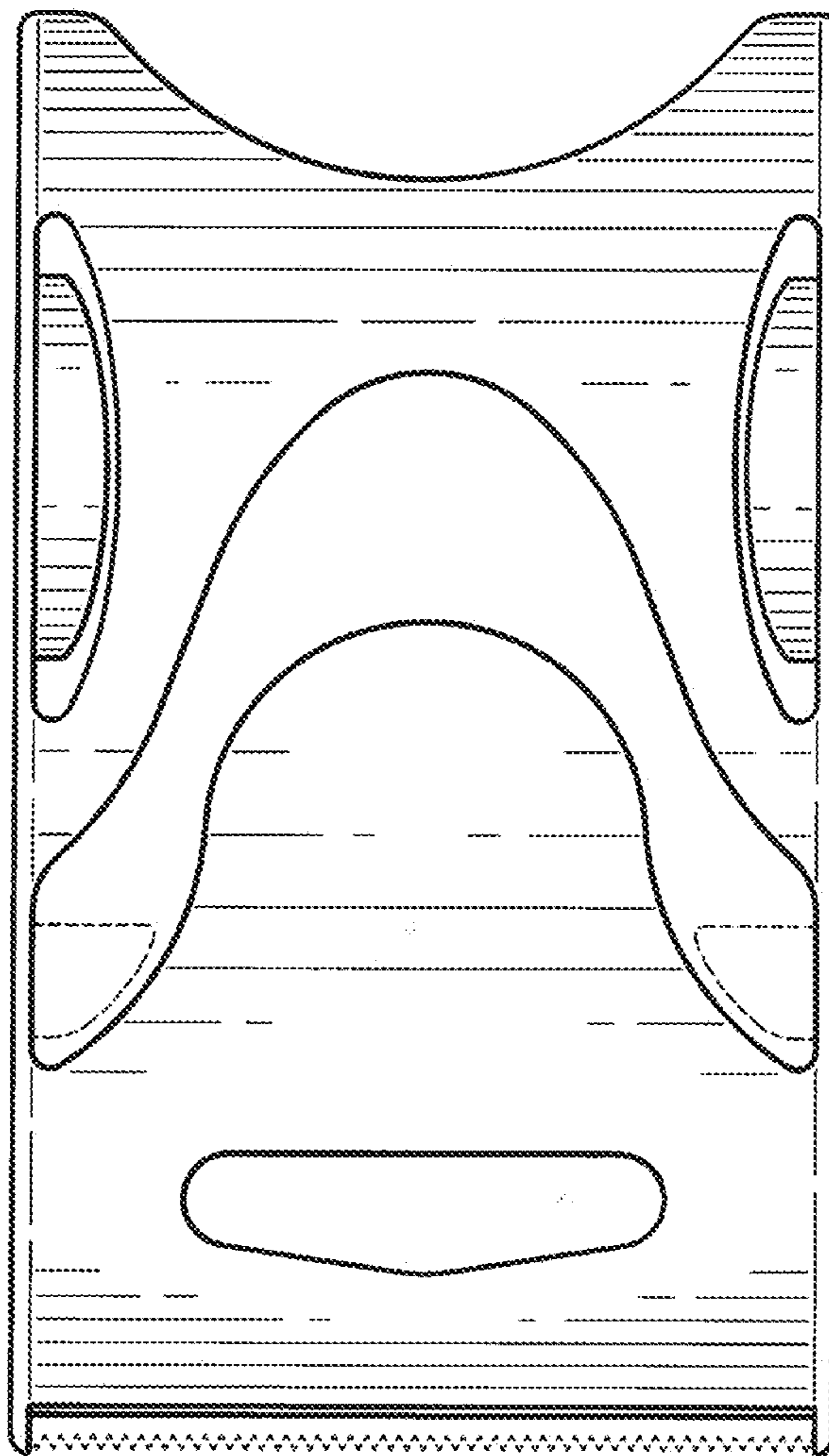


FIG-6

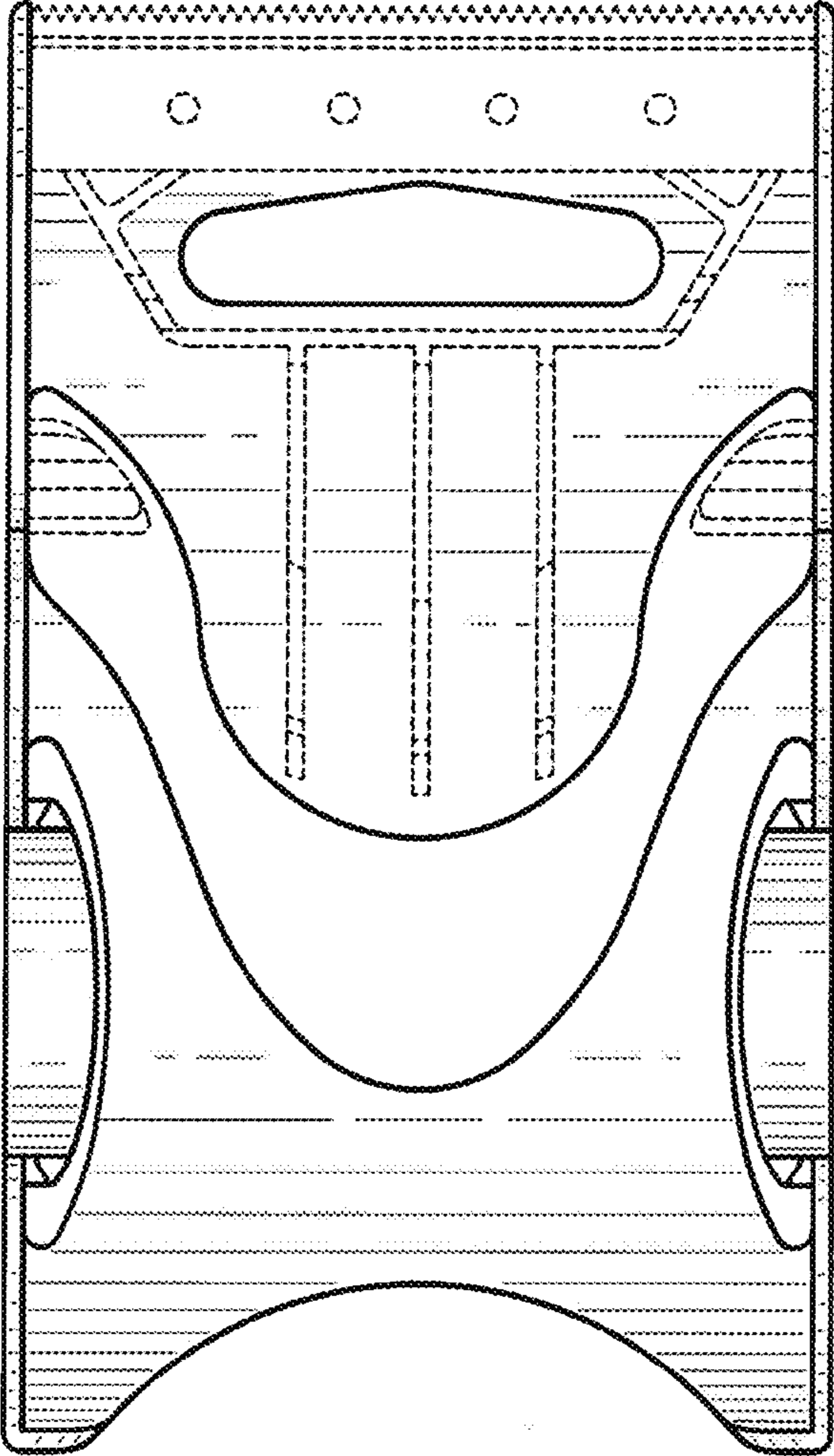


FIG-7