



US00D753759S

(12) **United States Design Patent**
Blyth et al.

(10) **Patent No.:** **US D753,759 S**
(45) **Date of Patent:** **** Apr. 12, 2016**

(54) **DRUM WITH SEAT**

(71) Applicants: **Eileen C. Blyth**, Columbia, SC (US);
Mark C. Finley, Little Mountain, SC (US)

(72) Inventors: **Eileen C. Blyth**, Columbia, SC (US);
Mark C. Finley, Little Mountain, SC (US)

(**) Term: **14 Years**

(21) Appl. No.: **29/516,146**

(22) Filed: **Jan. 29, 2015**

(51) **LOC (10) Cl.** **17-04**

(52) **U.S. Cl.**
USPC **D17/22**

(58) **Field of Classification Search**
USPC D17/14, 19, 20, 22, 99; D21/405;
84/411 R, 418, 420, 411 P
See application file for complete search history.

(56) **References Cited**

U.S. PATENT DOCUMENTS

D234,156 S *	1/1975	Lane	D17/22
4,134,324 A *	1/1979	LeMert	G10D 13/021 181/191
4,741,242 A *	5/1988	Aronstein	G10G 7/02 84/454
5,349,891 A *	9/1994	Belli	G10D 13/027 84/411 R
D371,694 S *	7/1996	Reese	D17/22
D575,327 S *	8/2008	Lerner	D17/22
7,498,498 B2 *	3/2009	Lerner	G10D 13/00 84/411 R
D654,948 S *	2/2012	Richmond	D17/22
8,193,434 B2 *	6/2012	Ferguson	G10D 13/02 84/411 R
D737,368 S *	8/2015	Rohner	D17/22

FOREIGN PATENT DOCUMENTS

EP 0009925 A1 * 4/1980 G10D 13/028

OTHER PUBLICATIONS

TrendHunter. <http://www.trendhunter.com/trends/street-beat-seat>.
Nov. 2010. "Street Beat Seat".*

* cited by examiner

Primary Examiner — Rashida Johnson

(74) *Attorney, Agent, or Firm* — Dority & Manning, P.A.

(57) **CLAIM**

The ornamental design for a drum with seat, as shown and described.

DESCRIPTION

FIG. 1 is a perspective view of a drum with seat according to the present disclosure.

FIG. 2 is a front view of a drum with seat according to the present disclosure.

FIG. 3 is a back view of a drum with seat according to the present disclosure.

FIG. 4 is a side view of a drum with seat according to the present disclosure.

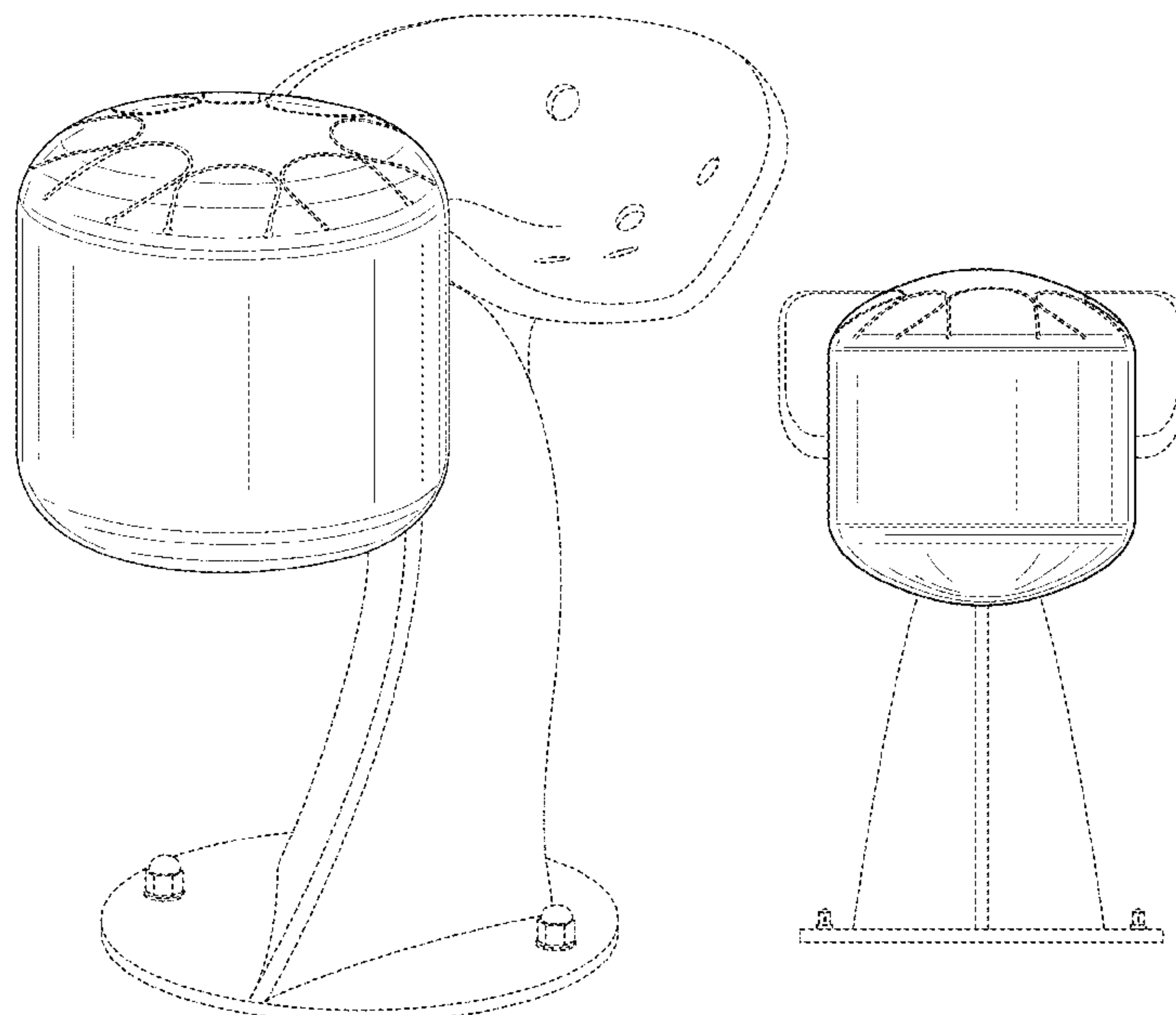
FIG. 5 is a side view of a drum with seat according to the present disclosure.

FIG. 6 is a top view of a drum with seat according to the present disclosure; and,

FIG. 7 is a bottom view of a drum with seat according to the present disclosure.

In FIGS. 1-7, the broken lines represent the portions of the drum with seat that form no part of the claimed design.

1 Claim, 6 Drawing Sheets



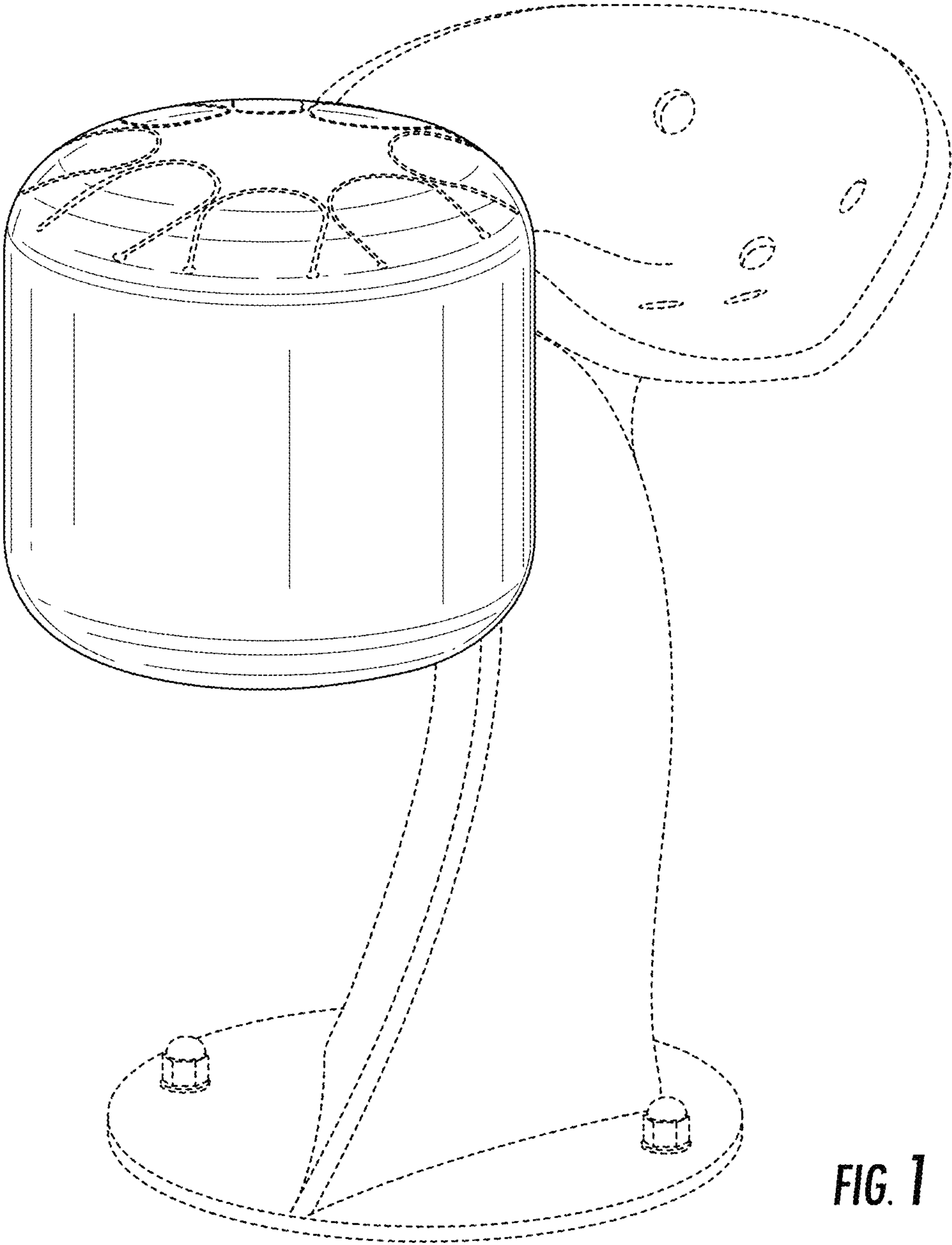


FIG. 1

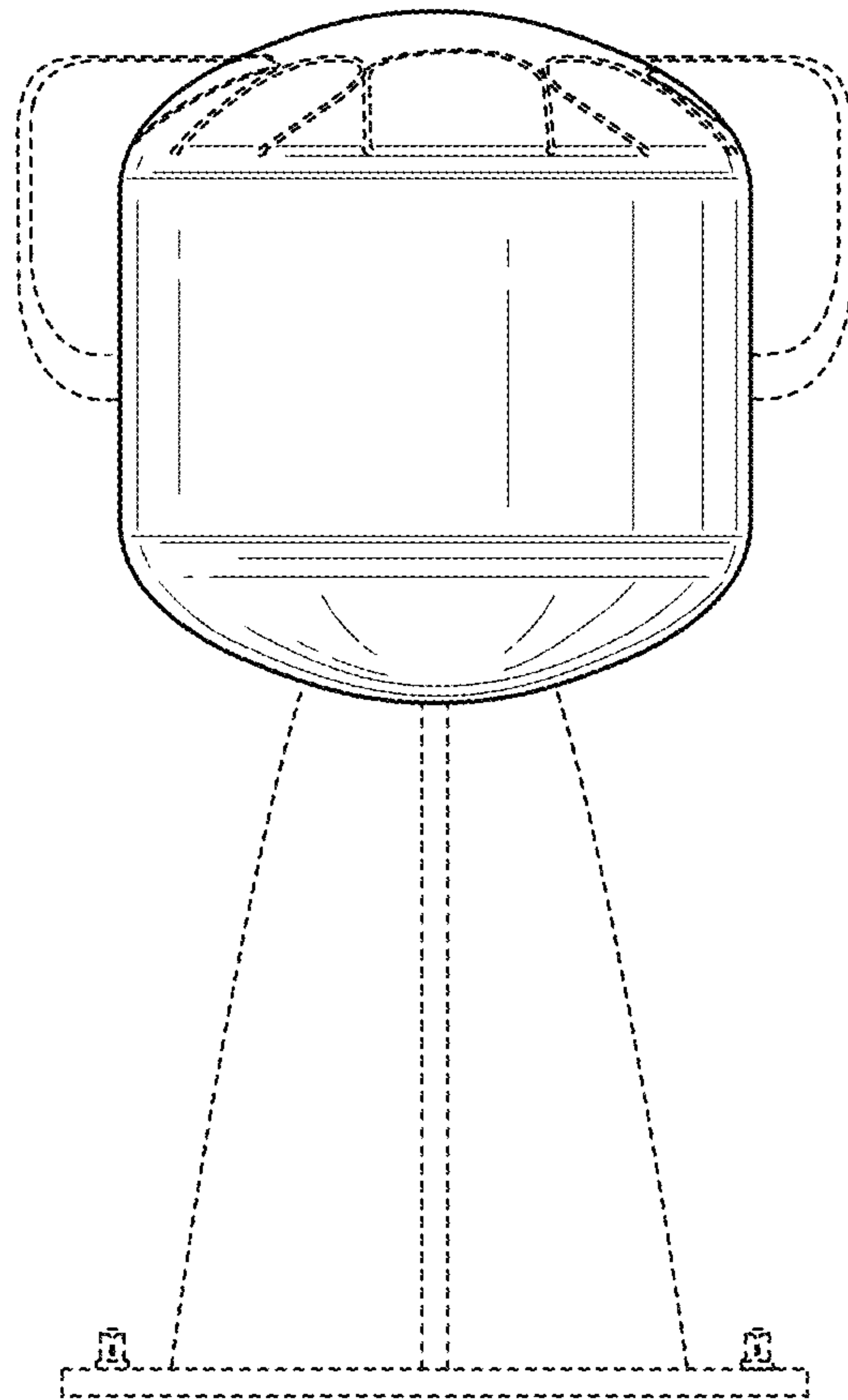


FIG. 2

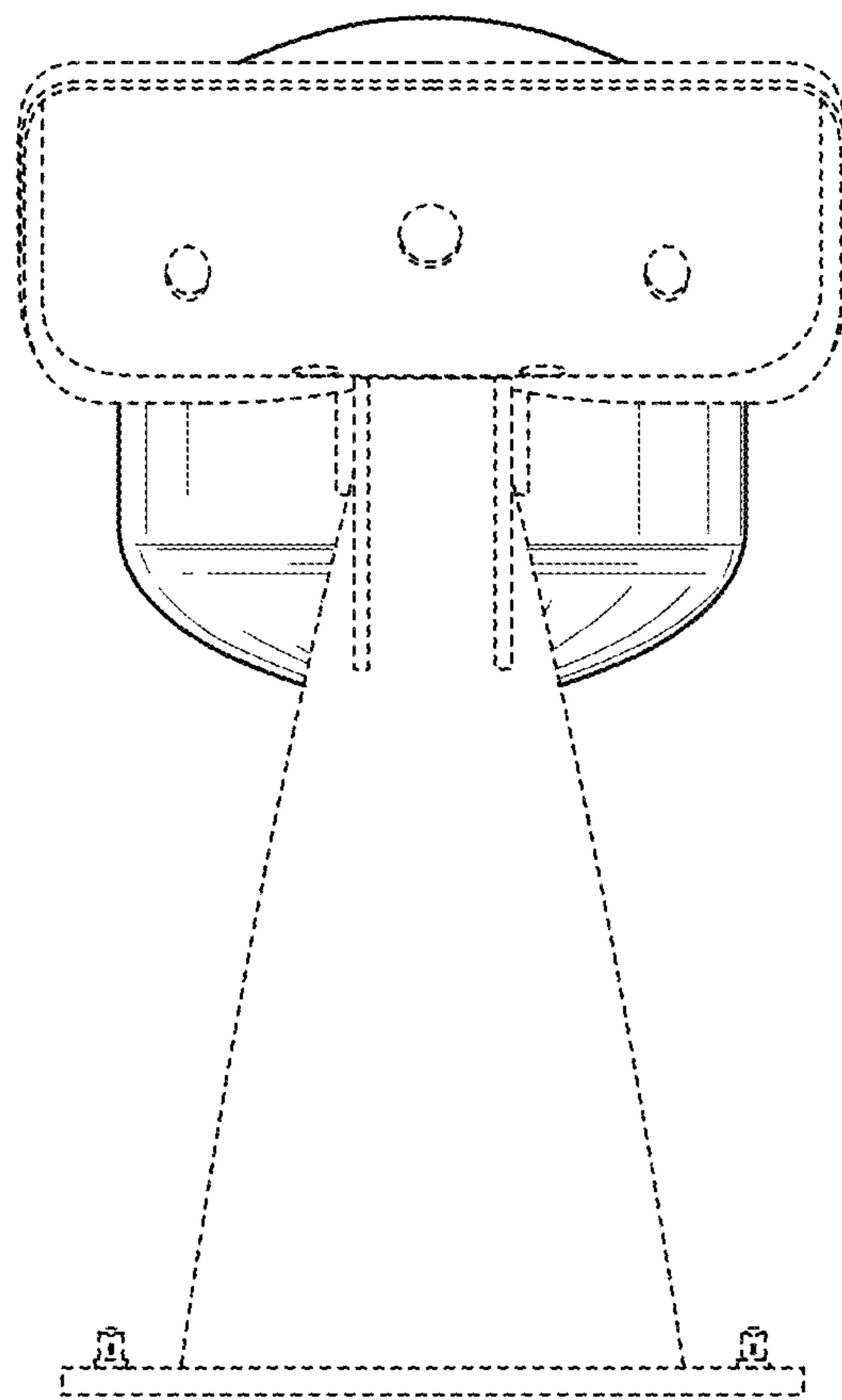


FIG. 3

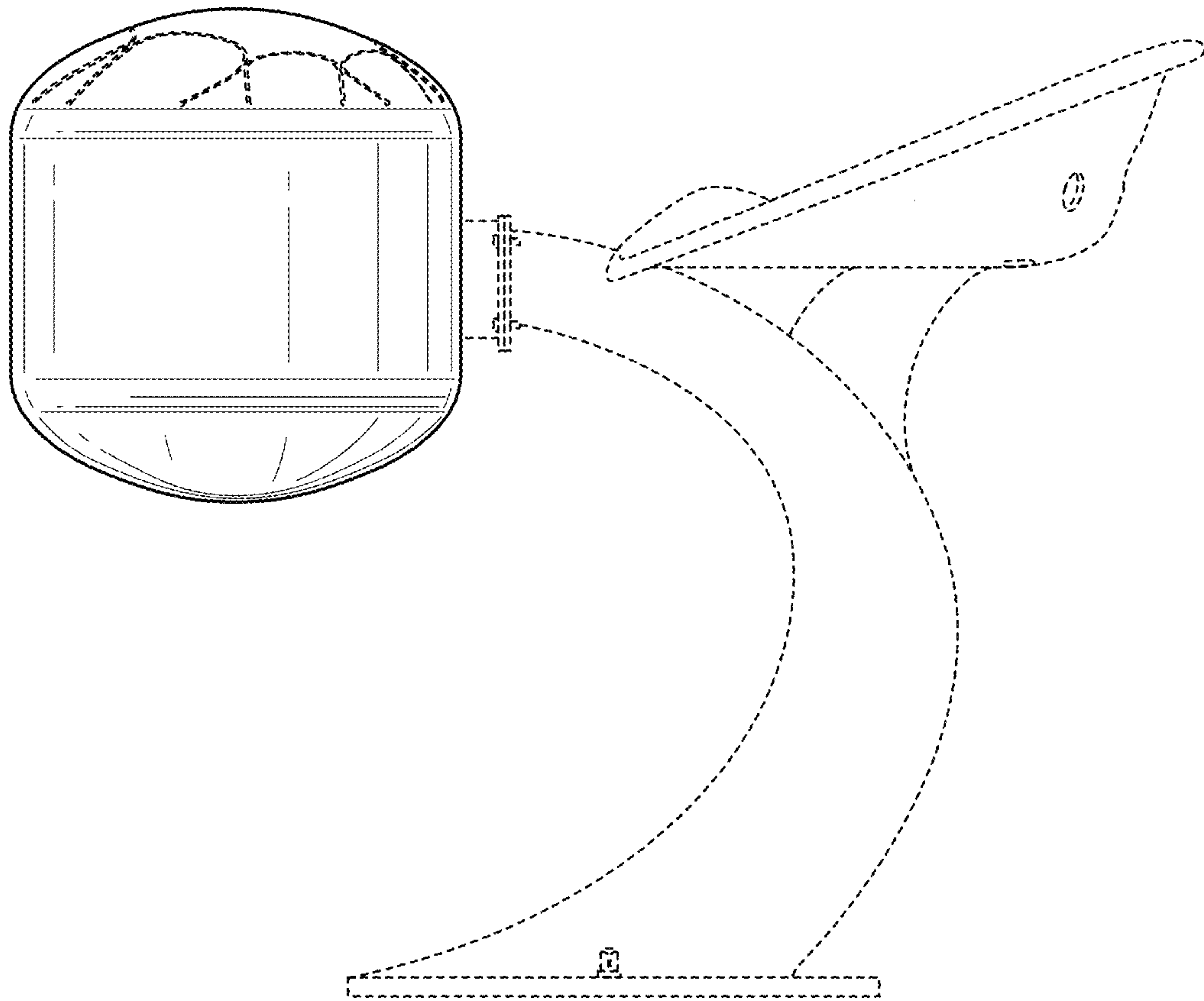


FIG. 4

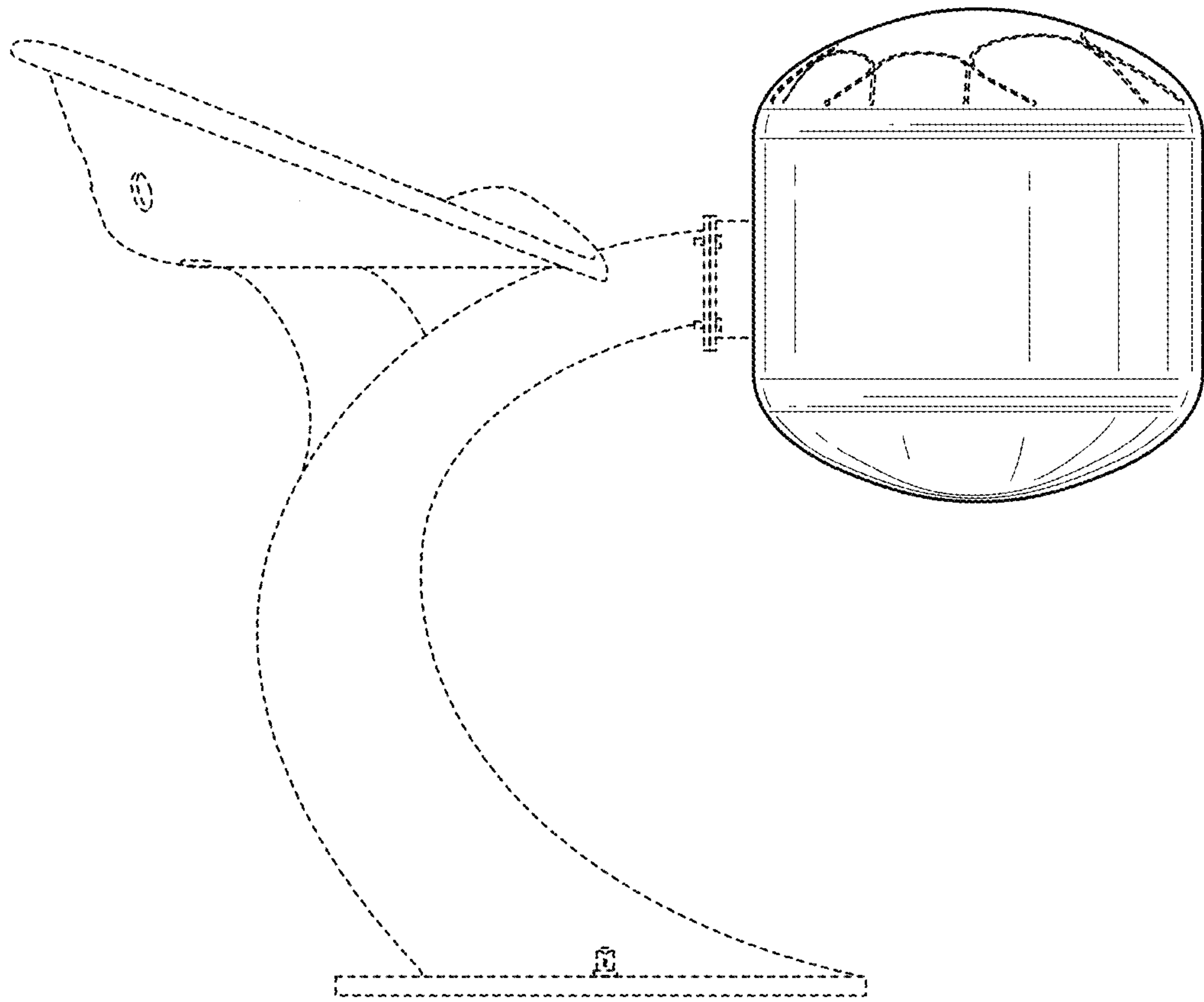


FIG. 5

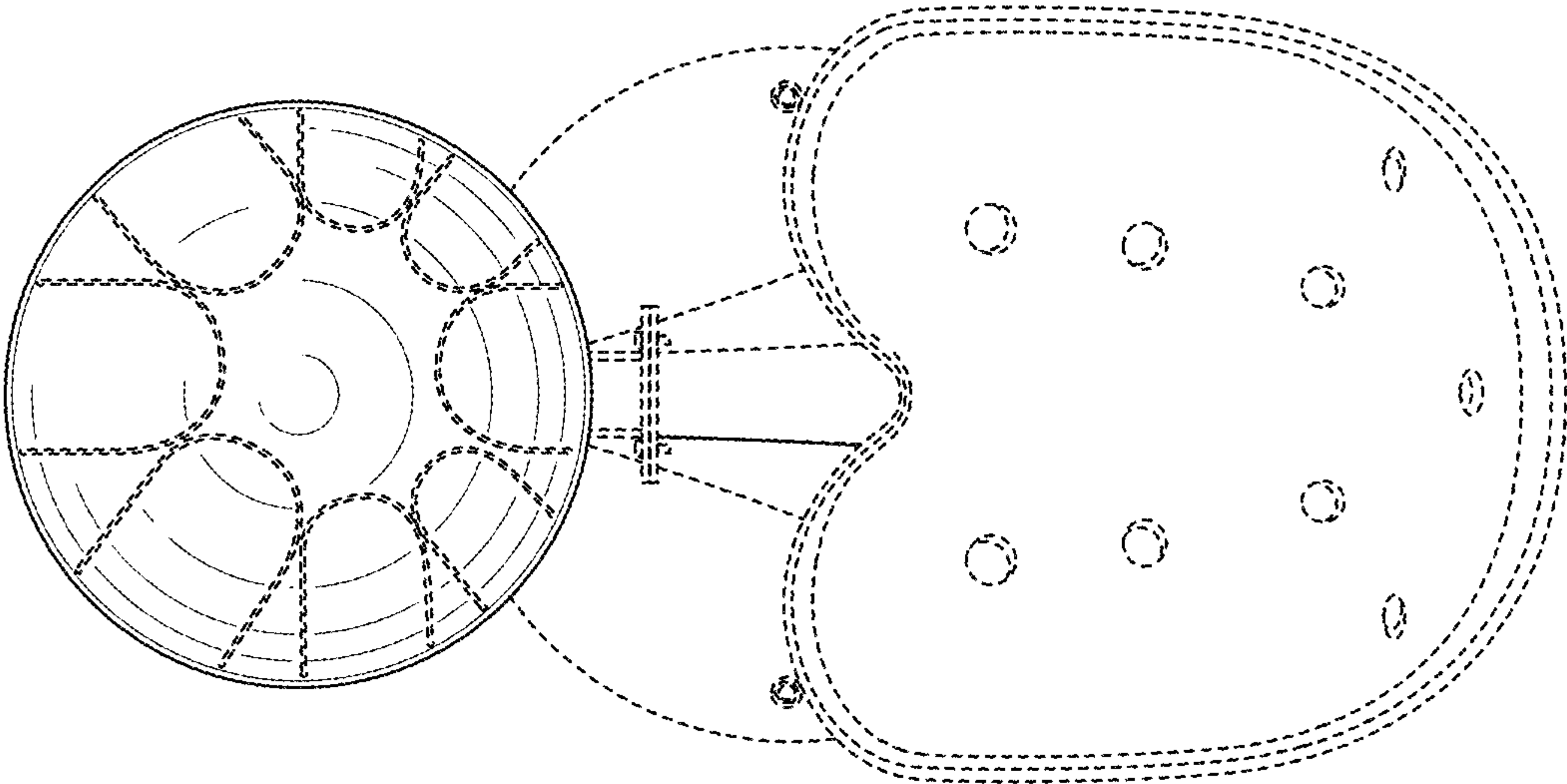


FIG. 6

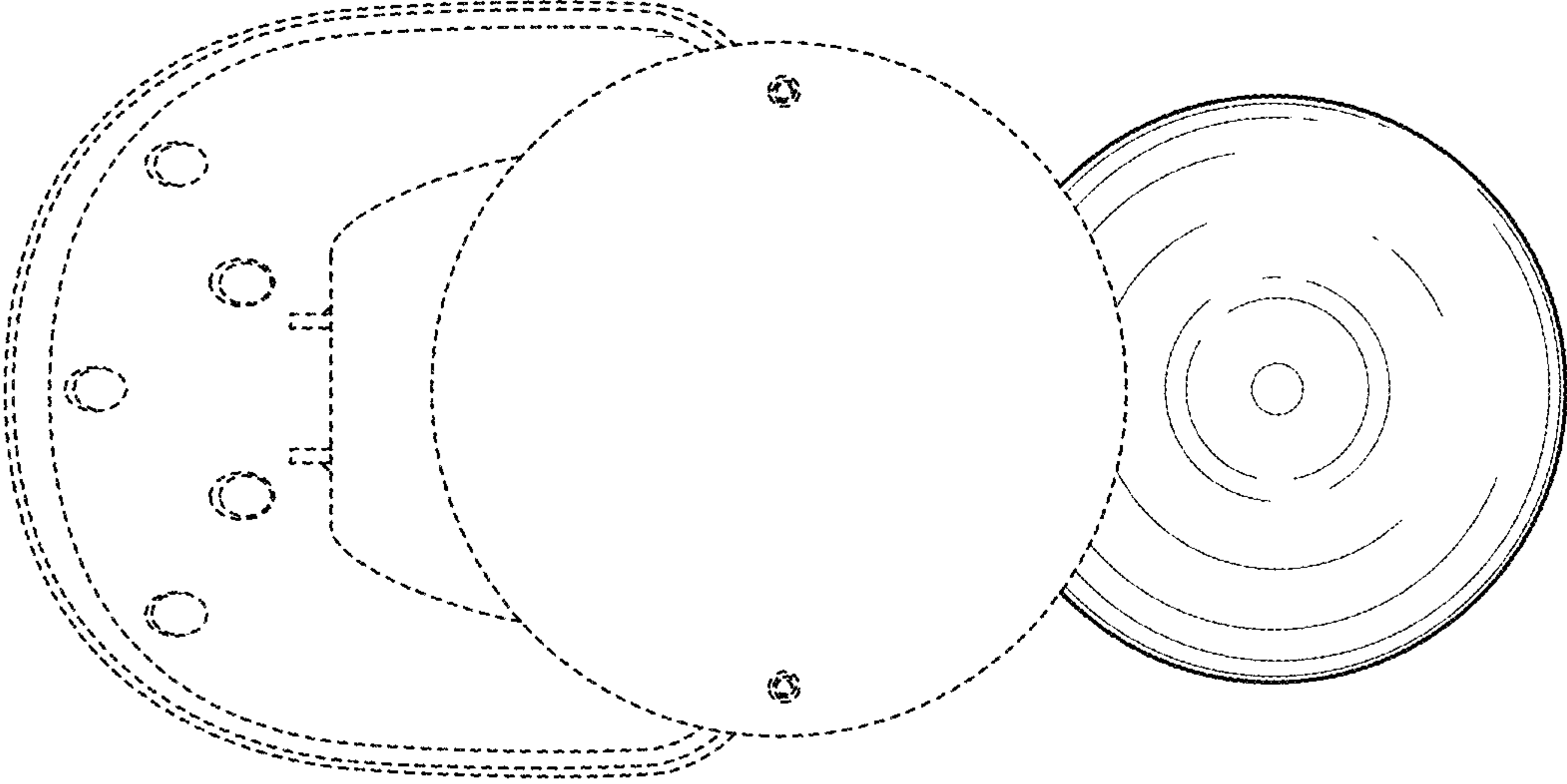


FIG. 7