



US00D753756S

(12) **United States Design Patent**
Renon

(10) **Patent No.:** **US D753,756 S**

(45) **Date of Patent:** **** Apr. 12, 2016**

(54) **PART OF SPECTACLE FRAME**

(56) **References Cited**

(71) Applicant: **LUXOTTICA S.R.L.**, Agordo (IT)

U.S. PATENT DOCUMENTS

(72) Inventor: **Claudio Renon**, Voltago Agordino (IT)

D90,354 S *	7/1933	Bouchard	D16/335
D151,030 S *	9/1948	Buckley	D16/335
D183,583 S *	9/1958	Shelton	D8/327
D184,395 S *	2/1959	Gross	D16/335
D326,464 S *	5/1992	Tabacchi	D16/322
D384,365 S *	9/1997	Keith	D16/334
D621,867 S *	8/2010	Kutzner	D16/326
D675,246 S *	1/2013	Tabacchi	D16/323
D700,933 S *	3/2014	Shin	D16/326
D724,135 S *	3/2015	Shin	D16/335

(73) Assignee: **LUXOTTICA S.R.L.** (IT)

(**) Term: **14 Years**

(21) Appl. No.: **29/501,288**

* cited by examiner

(22) Filed: **Sep. 3, 2014**

(30) **Foreign Application Priority Data**

Primary Examiner — Raphael Barkai

Mar. 3, 2014 (EM) 002416263

(74) *Attorney, Agent, or Firm* — Cantor Colburn LLP

(51) **LOC (10) Cl.** **16-06**

(57) **CLAIM**

(52) **U.S. Cl.**

The ornamental design for part of spectacle frame, as shown and described.

USPC **D16/323**; D16/334

DESCRIPTION

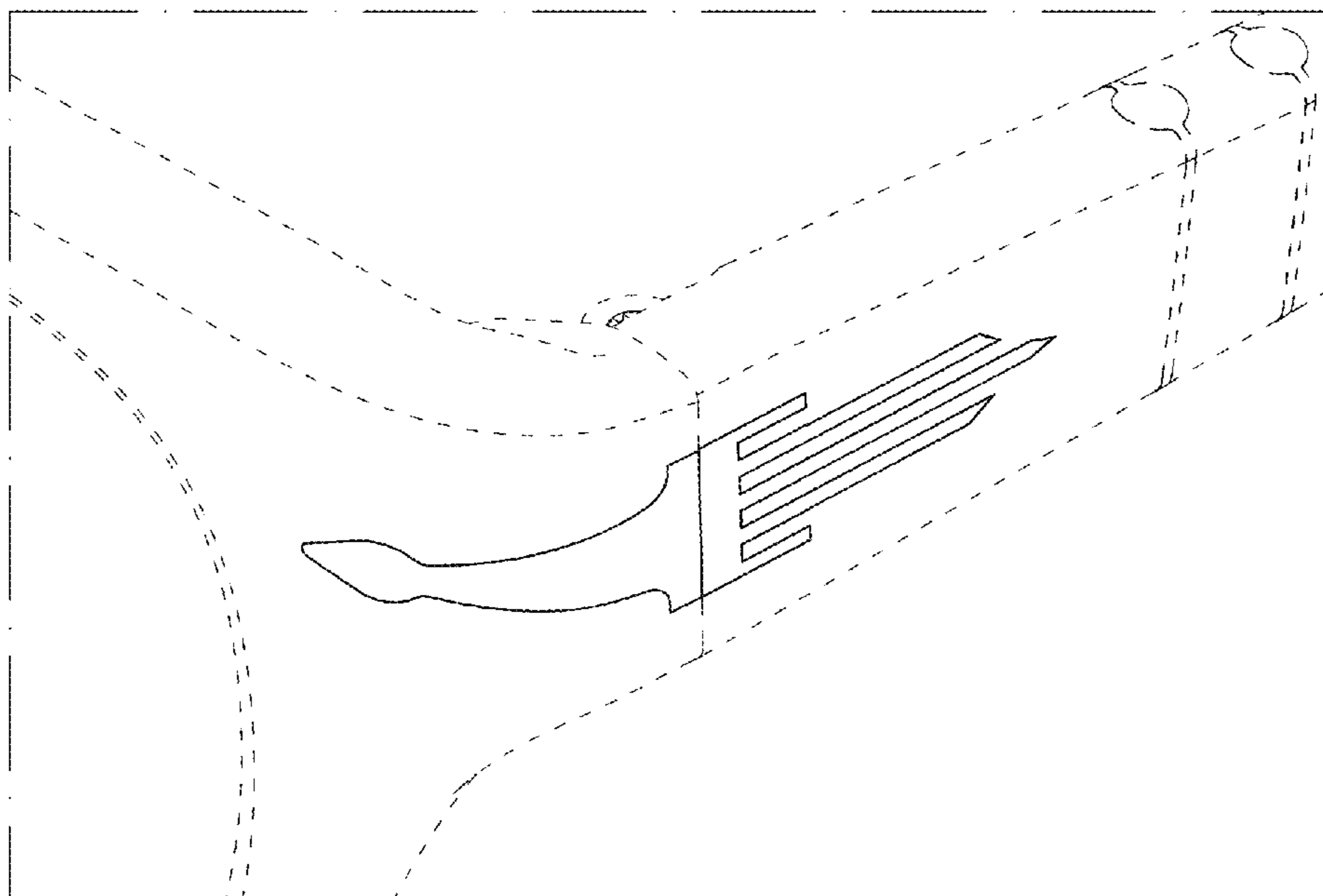
(58) **Field of Classification Search**

USPC D16/101, 300–342, 900; D29/109–110;
351/41, 44, 51–52, 62, 158, 92,
351/103–123, 140–153, 63, 59, 45–48;
2/426–432, 447–449, 441, 434–437,
2/13, 15; D21/483, 659–661; D14/372
CPC G02C 2200/08; G02C 1/06; G02C 5/14;
G02C 11/02; G02C 11/04; G02C 5/16;
G02C 2200/22; G02C 5/146; G02C 5/2254;
G02C 5/008; G01C 5/16; A61M 2021/0044;
A63B 33/002

FIG. 1 is a perspective view of part of spectacle frame showing my new design;
FIG. 2 is a front view thereof;
FIG. 3 is a rear view thereof;
FIG. 4 is a left side view thereof, the opposite side view being a mirror image thereof;
FIG. 5 is a top view thereof;
FIG. 6 is a bottom view thereof; and,
FIG. 7 is an enlarged partial view thereof.
Portions shown in broken lines indicate environment and form no part of the claimed design.

See application file for complete search history.

1 Claim, 7 Drawing Sheets



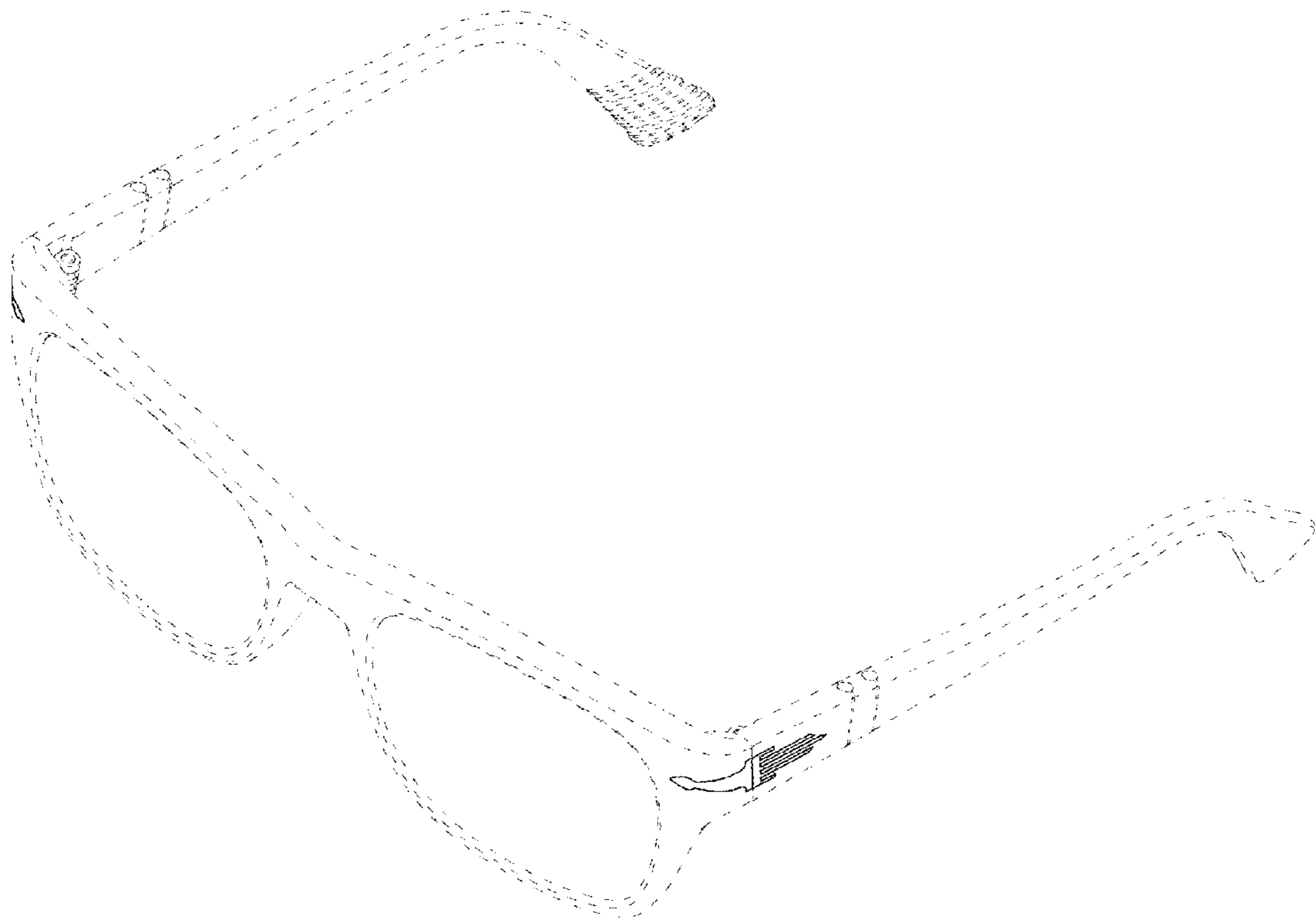


Fig. 1

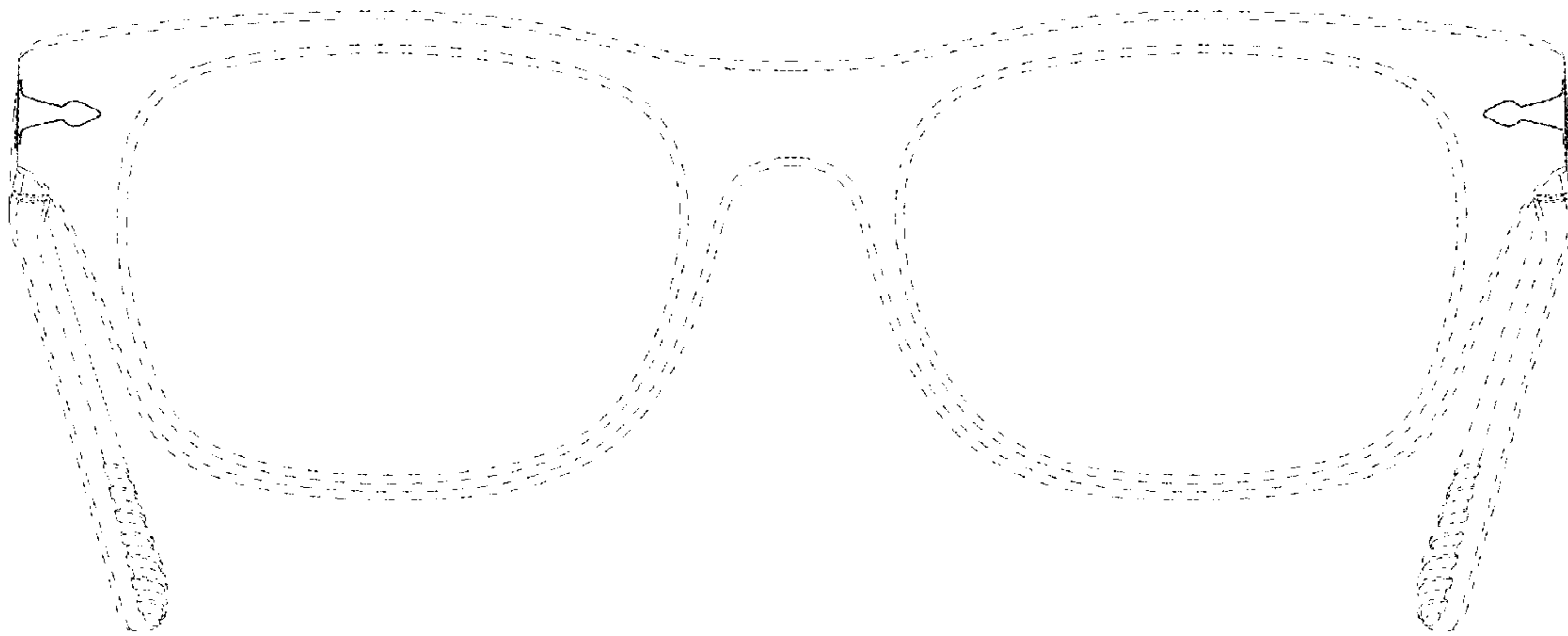


Fig. 2

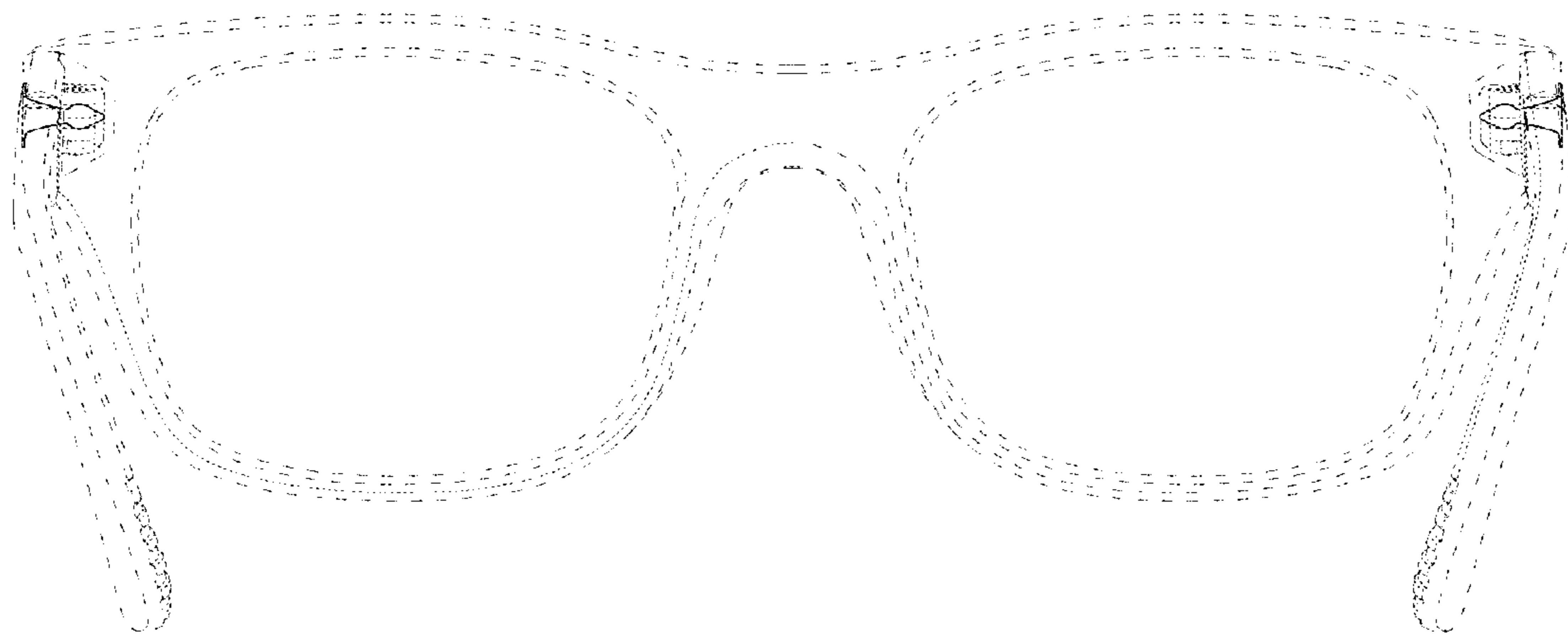


Fig. 3

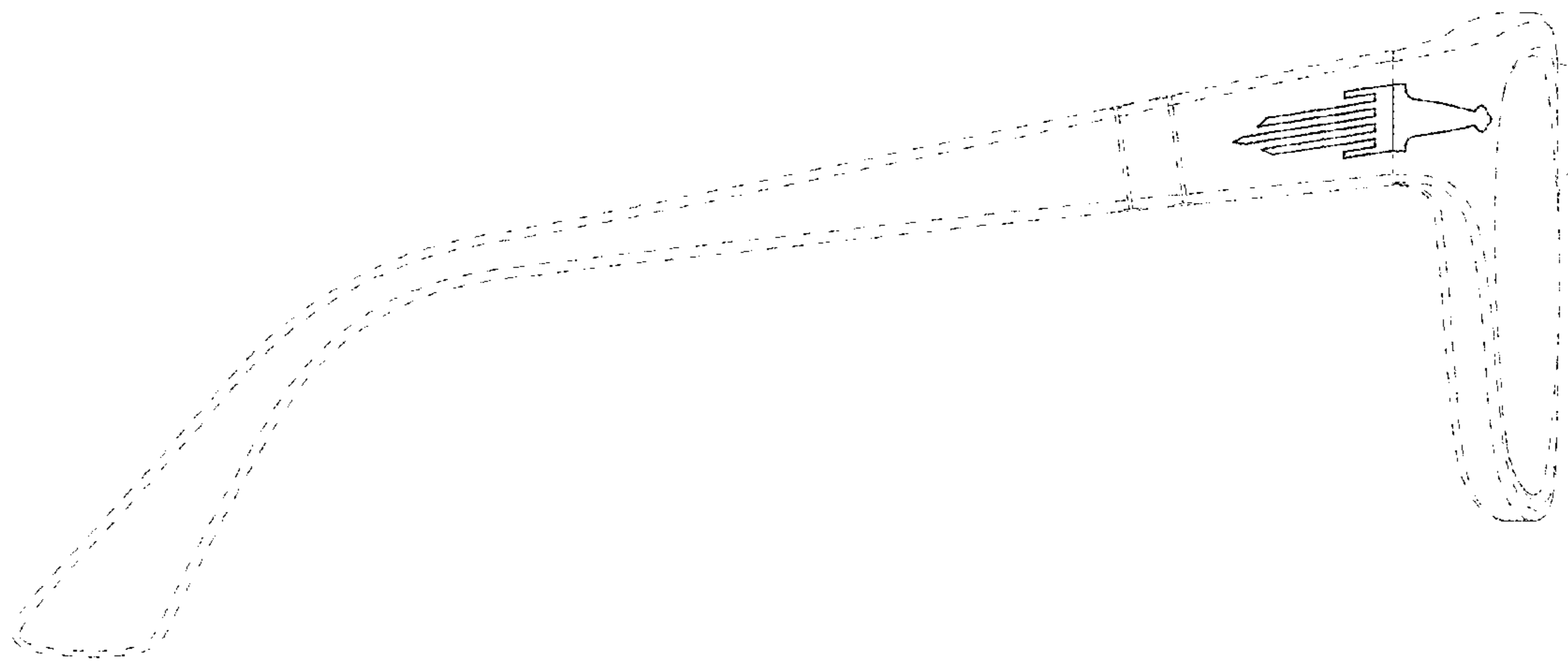


Fig. 4

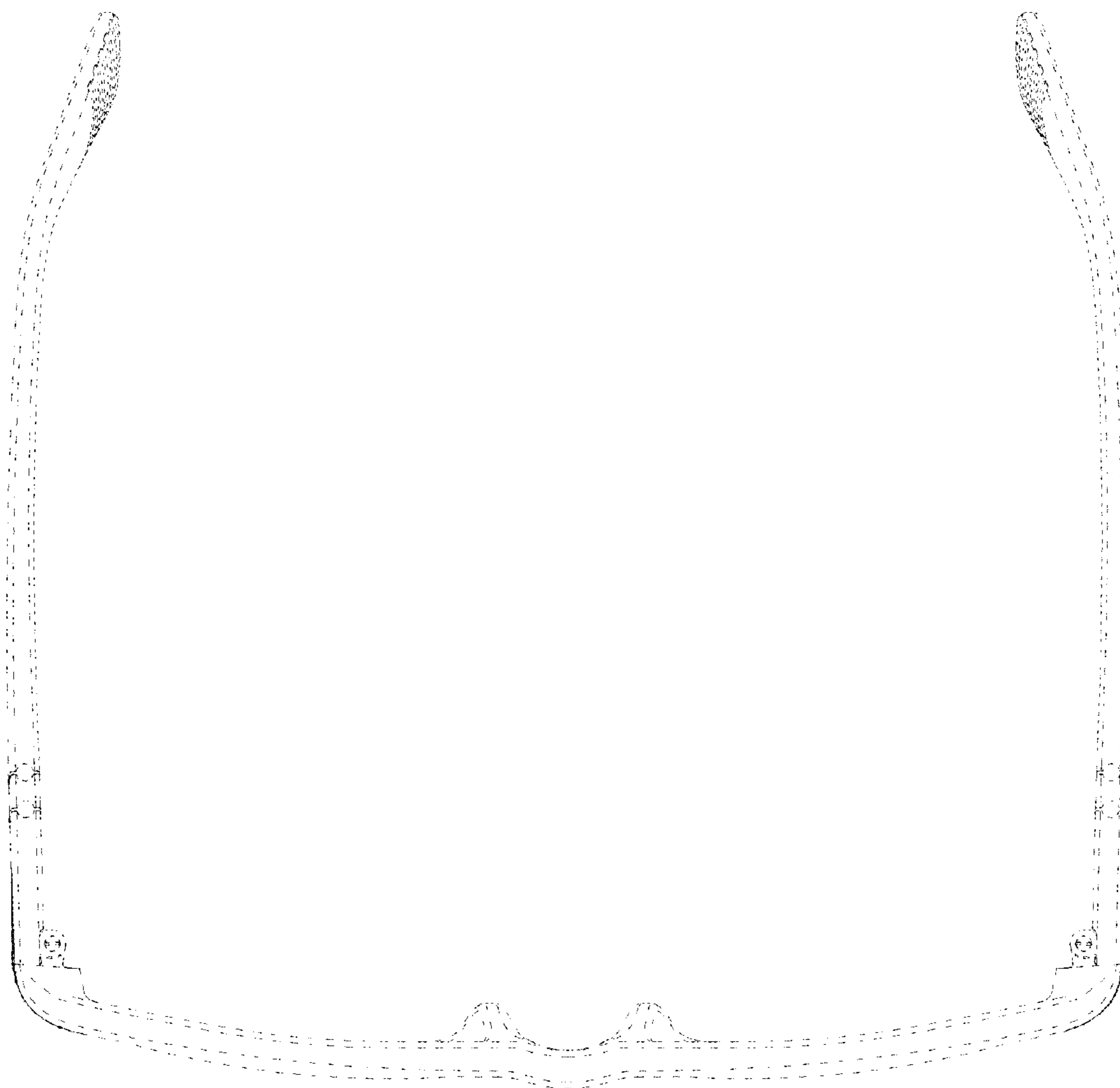


Fig. 5

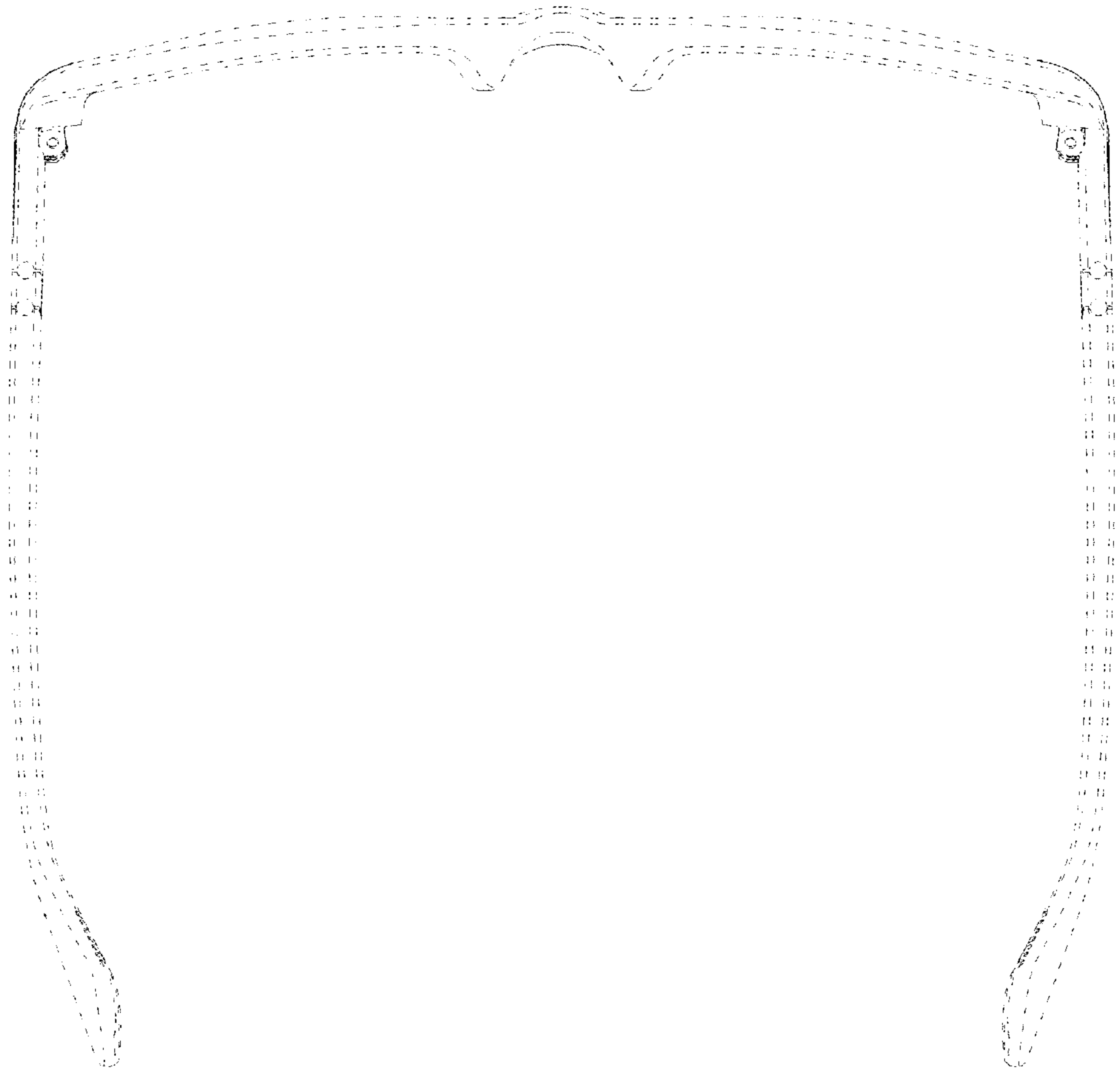


Fig. 6

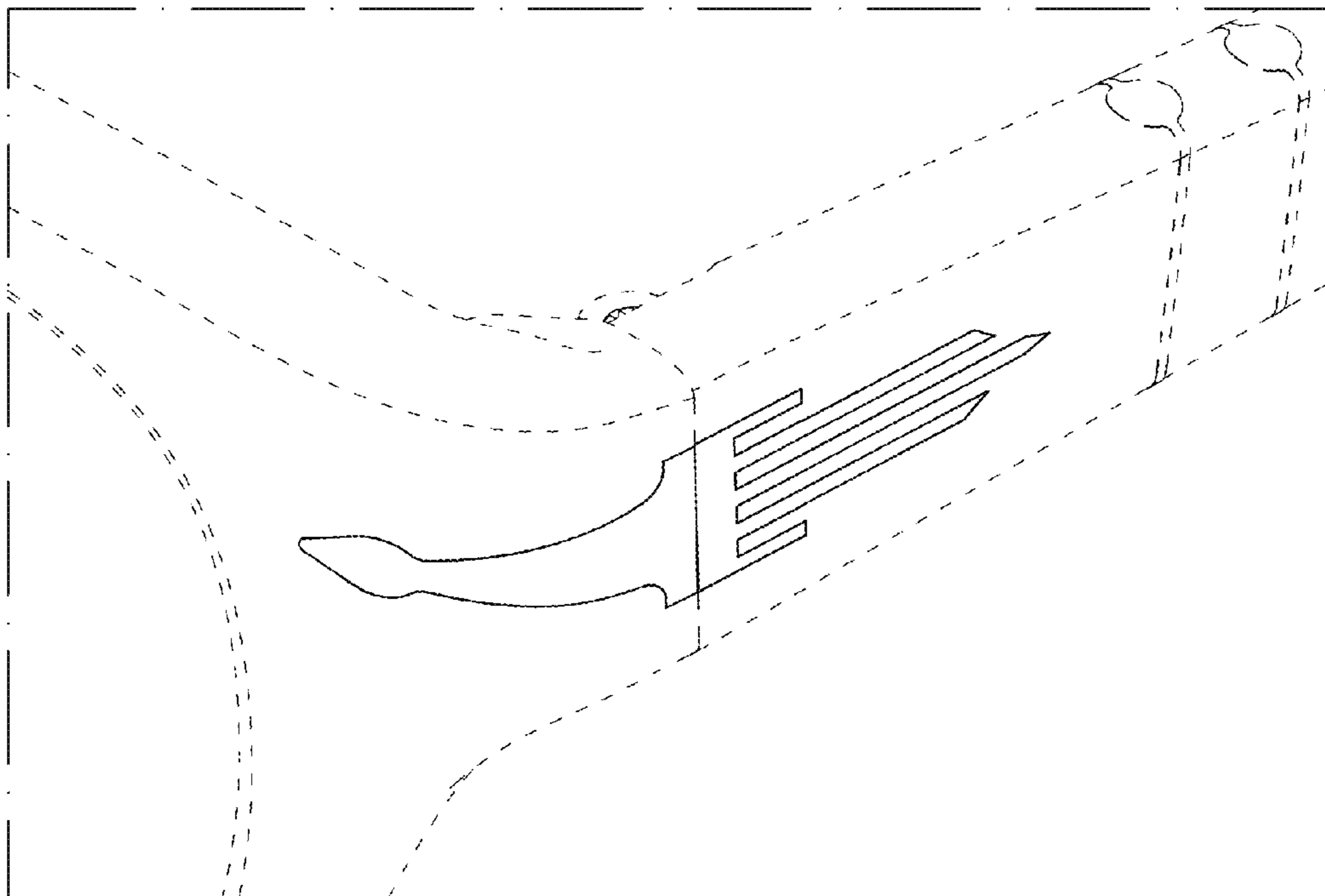


Fig. 7