



US00D753755S

(12) **United States Design Patent**
Zhan

(10) **Patent No.:** **US D753,755 S**

(45) **Date of Patent:** **** Apr. 12, 2016**

(54) **LED CAMERA LIGHT**

(56) **References Cited**

(71) Applicant: **FUZHOU F&V PHOTOGRAPHIC
EQUIPMENT CO., LTD.**, Fuzhou (CN)

U.S. PATENT DOCUMENTS

(72) Inventor: **Xiao-Ming Zhan**, Fuzhou (CN)

D184,214 S *	1/1959	Dine et al.	D16/239
D484,637 S *	12/2003	Yang	D26/139
D590,074 S *	4/2009	Chang	D26/1
D629,555 S *	12/2010	Hiratsuka	D26/118
D697,545 S *	1/2014	Jang	D16/240
D698,480 S *	1/2014	Moeller	D26/89
D702,279 S *	4/2014	Zhan	D16/239

(73) Assignee: **FUZHOU F&V PHOTOGRAPHIC
EQUIPMENT CO., LTD.**, Fuzhou (CN)

* cited by examiner

(**) Term: **14 Years**

Primary Examiner — Susan Bennett Hattan

(21) Appl. No.: **29/519,266**

Assistant Examiner — Vy Koenig

(22) Filed: **Mar. 3, 2015**

(74) *Attorney, Agent, or Firm* — Leong C. Lei

(51) **LOC (10) Cl.** **16-05**

(57) **CLAIM**

The ornamental design for a LED camera light, as shown and described.

(52) **U.S. Cl.**

USPC **D16/239**

DESCRIPTION

(58) **Field of Classification Search**

USPC D16/134, 136, 208, 213–219, 235,
D16/237–245, 250; D14/203.4, 218, 224,
D14/250–253, 345, 440, 449; D26/24, 72,
D26/110–113, 118

FIG. 1 is a perspective view of a LED camera light showing my new design,

FIG. 2 is a rear perspective view of FIG. 1 thereof;

FIG. 3 is a front view of FIG. 1 thereof;

FIG. 4 is a rear view of FIG. 3 thereof;

FIG. 5 is a left side view of FIG. 3 thereof;

FIG. 6 is a right side view of FIG. 3 thereof;

FIG. 7 is a top view of FIG. 3 thereof; and,

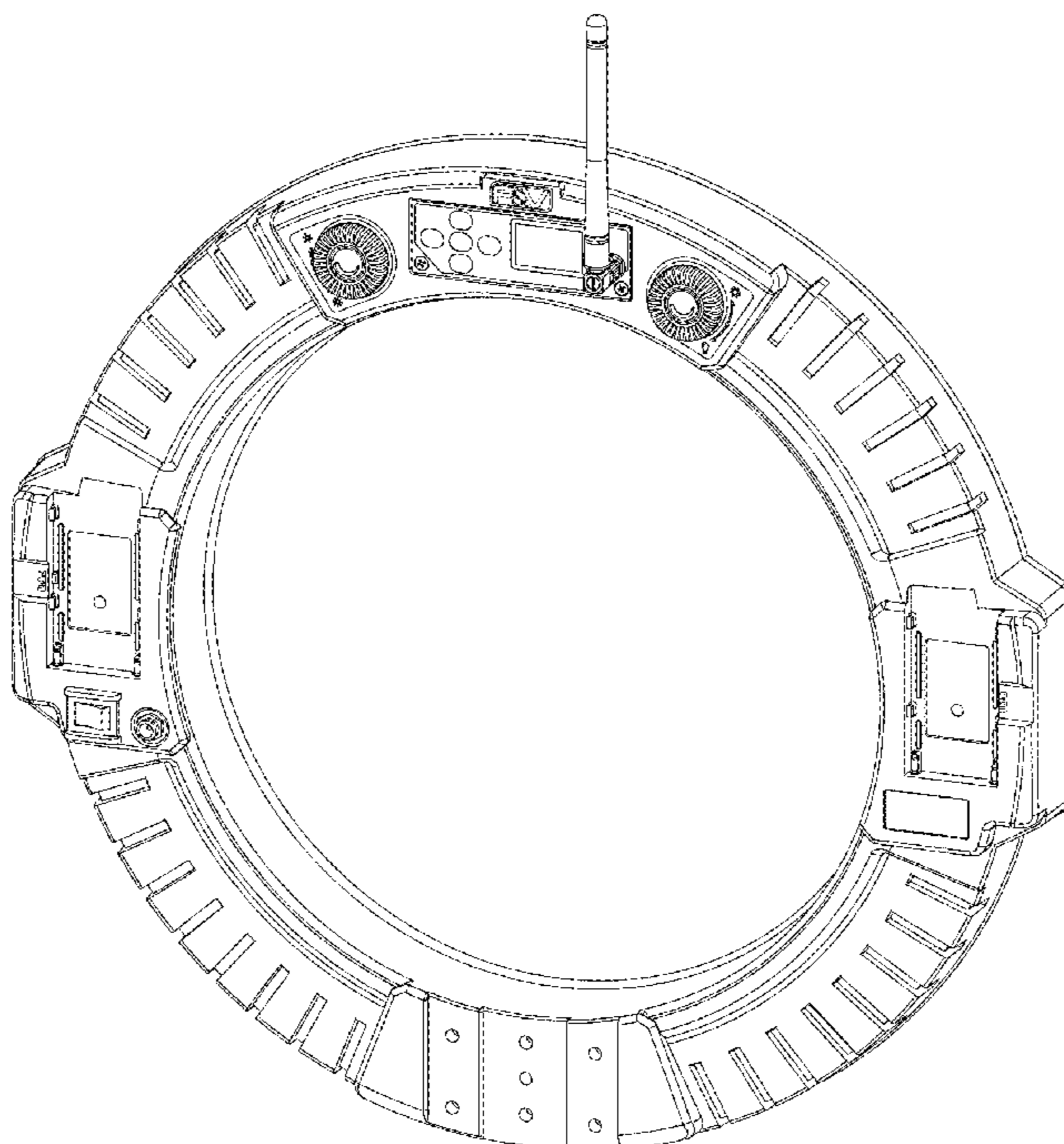
FIG. 8 is a bottom view of FIG. 3 thereof.

The broken lines in the drawings illustrate portions of the LED camera light which form no part of the claimed design.

CPC G03B 17/02–17/04; G03B 17/14;
G03B 17/56; G03B 17/561–17/568; G03B
21/20–21/2066; G03B 15/041–15/0436;
G02B 7/02–7/04; G02B 7/14; H04N
5/2251–5/2254; F16M 11/02; F16M 11/20;
F16M 11/40

See application file for complete search history.

1 Claim, 8 Drawing Sheets



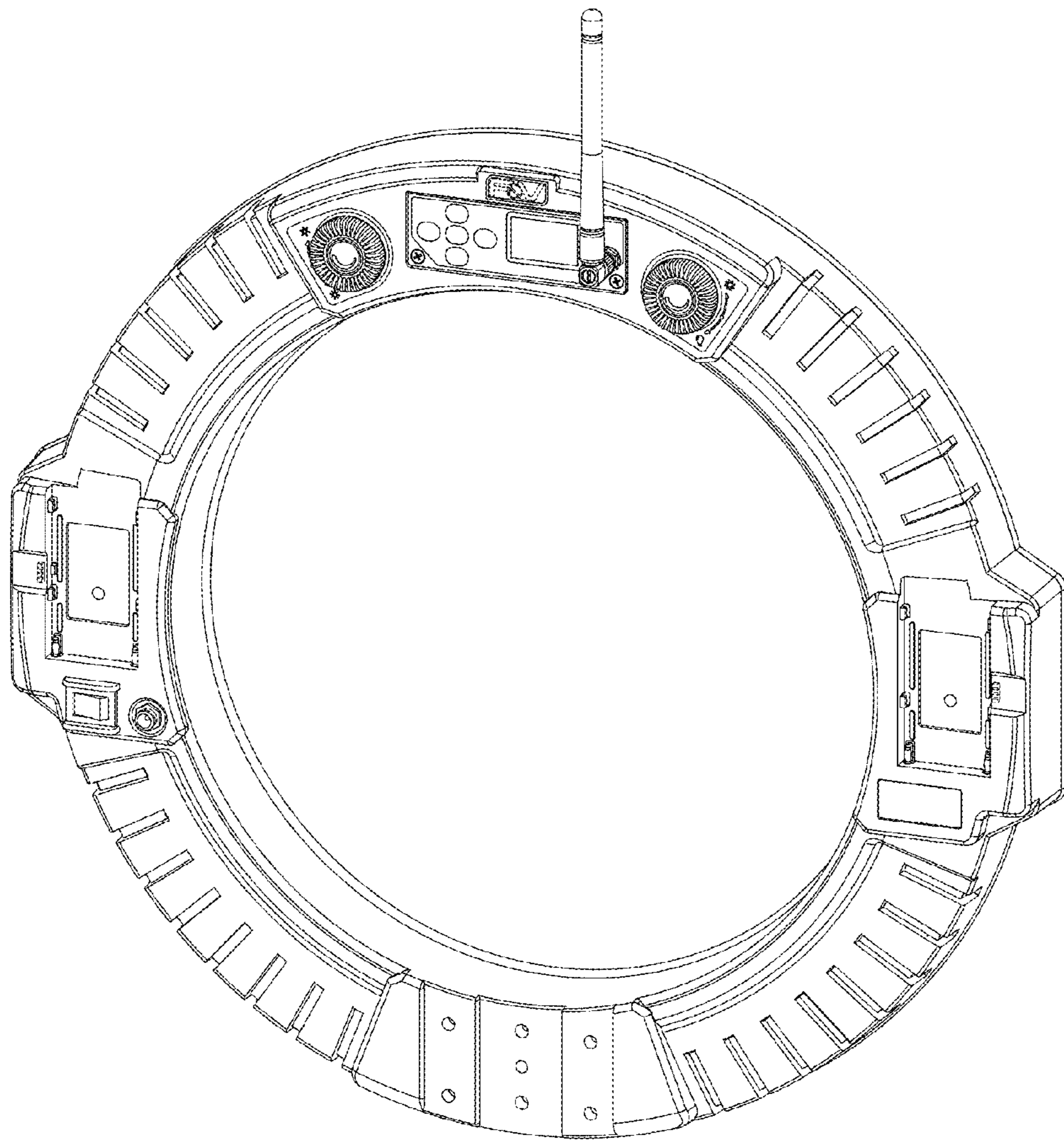
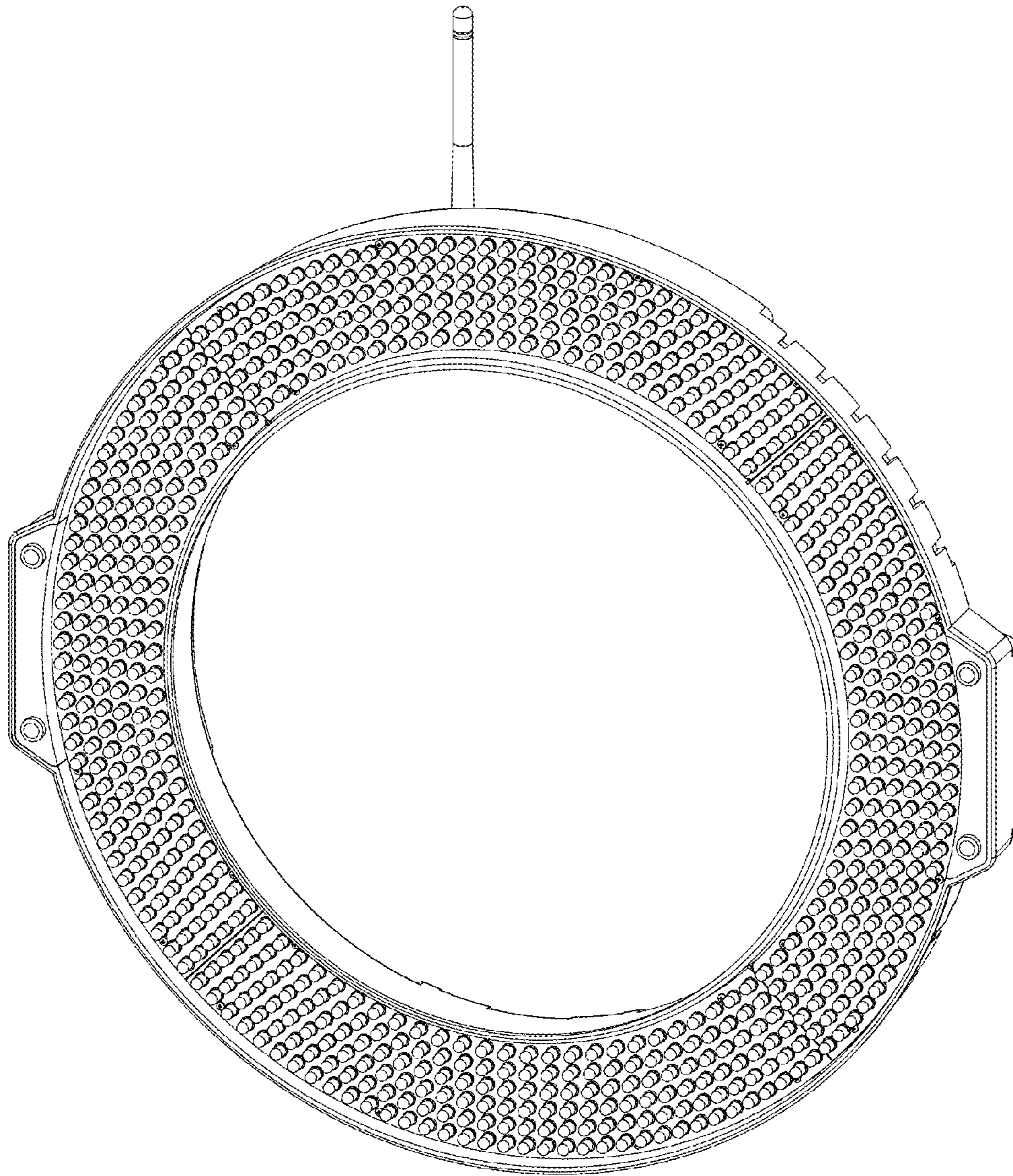


FIG. 1



F I G . 2

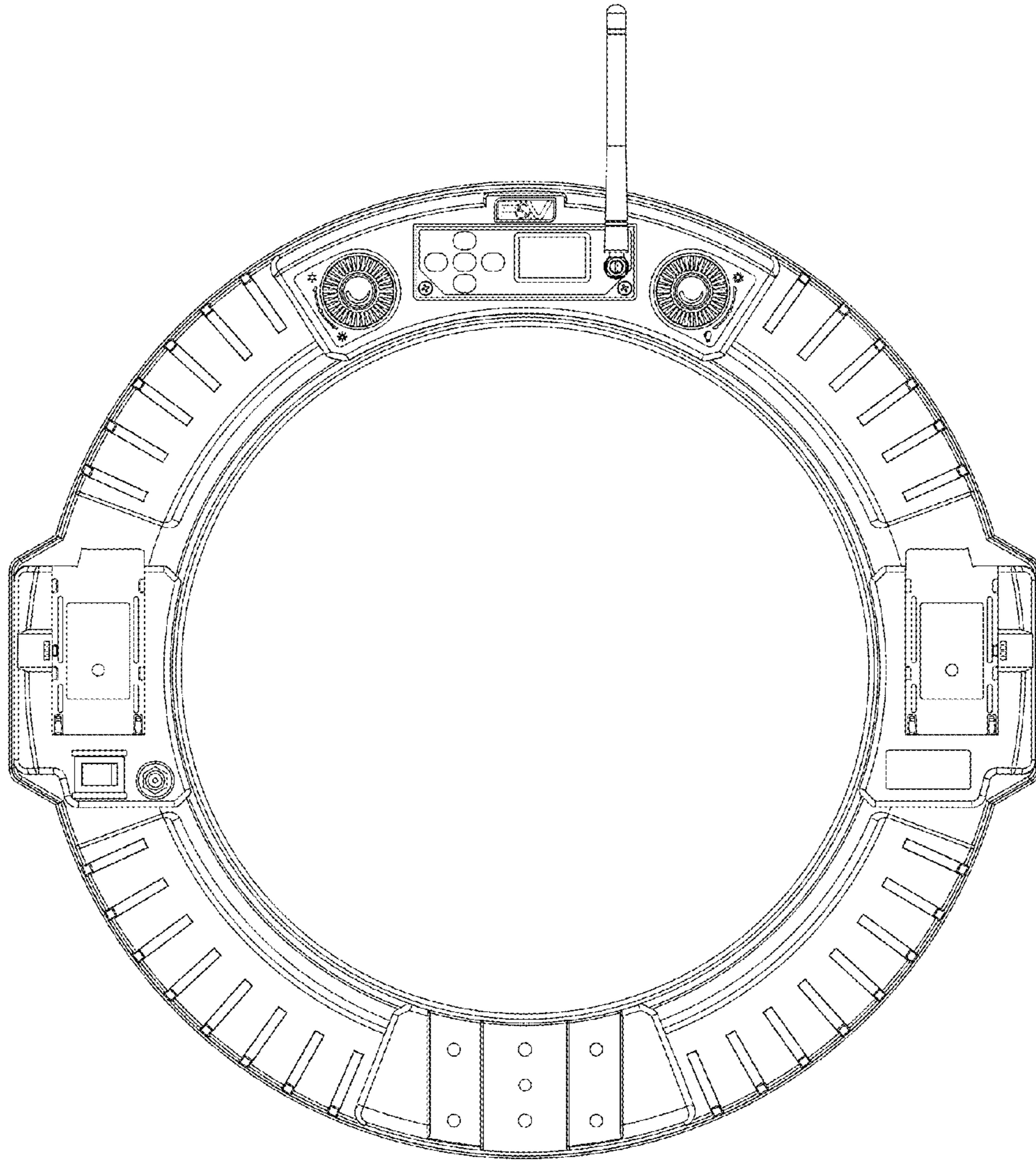


FIG. 3

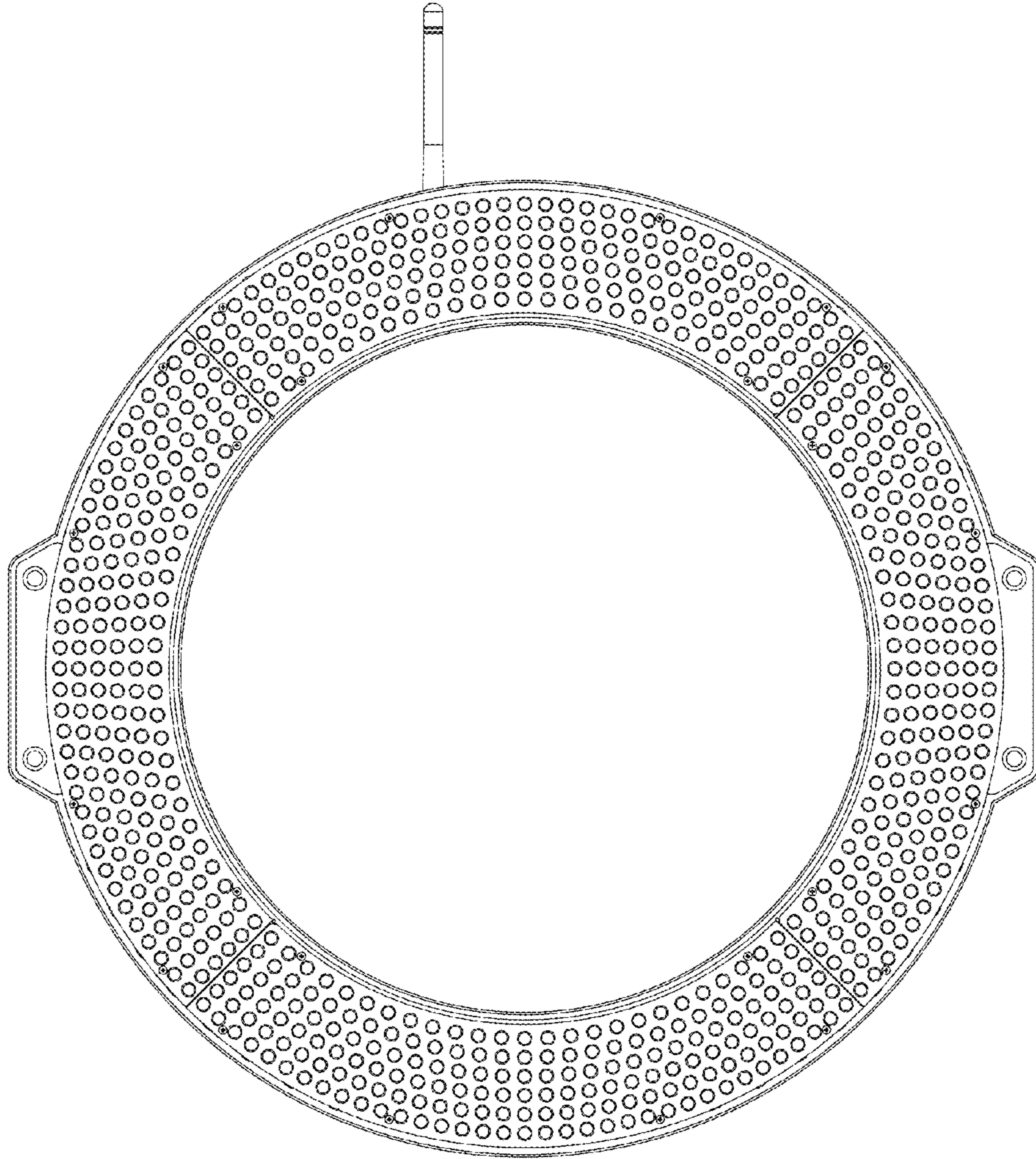


FIG. 4

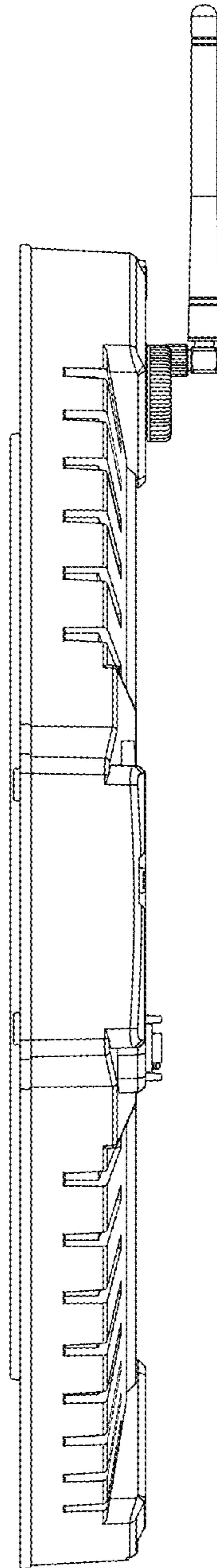
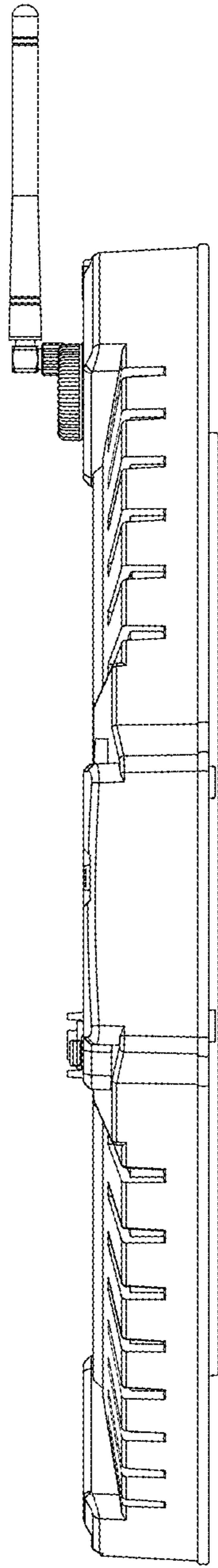


FIG. 5



F I G. 6

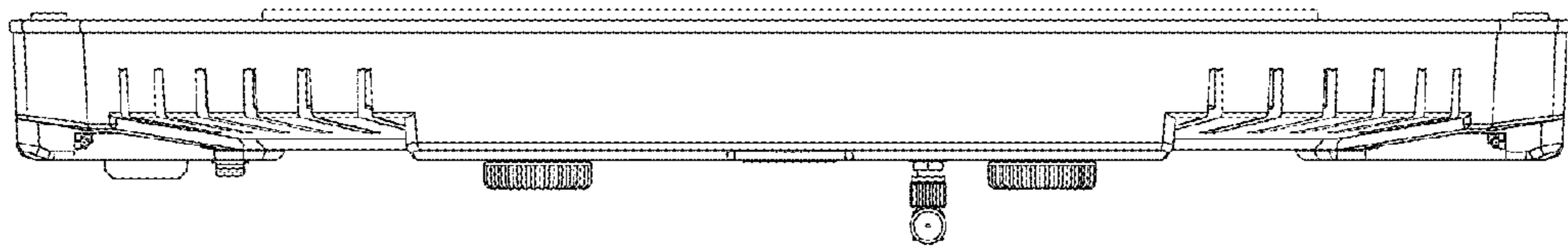


FIG. 7

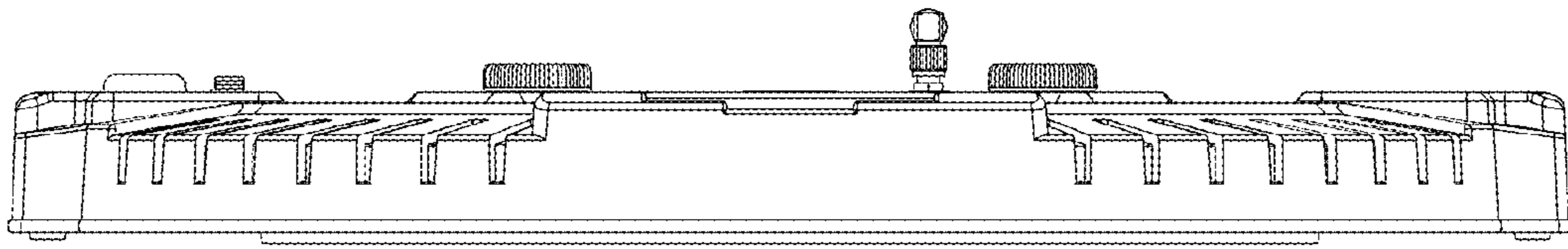


FIG. 8