

US00D753754S

(12) **United States Design Patent**
Vilcovsky et al.

(10) **Patent No.:** **US D753,754 S**
(45) **Date of Patent:** **** Apr. 12, 2016**

- (54) **PORTRAIT FLAT PANEL DISPLAY**
- (71) Applicant: **EyesMatch Ltd.**, Road Town, Tortola (VG)
- (72) Inventors: **Nissi Vilcovsky**, Tokyo (JP); **Ofer Saban**, Vienna, VA (US)
- (73) Assignee: **EYESMATCH LTD**, Road Town, Tortola (VG)
- (**) Term: **14 Years**
- (21) Appl. No.: **29/514,296**
- (22) Filed: **Jan. 9, 2015**
- (51) **LOC (10) Cl.** **16-02**
- (52) **U.S. Cl.**
USPC **D16/221**
- (58) **Field of Classification Search**
USPC D16/221, 225, 228–234; D21/329, 515; D14/127–129; D20/10, 19; D6/300, D6/308, 310, 675; 348/14.07, 739, 744; 353/20, 30, 46, 79, 119
CPC G03B 21/56; G03B 21/565; G06F 3/011; G06F 19/16; G06F 27/00; G06T 15/205
See application file for complete search history.

- (56) **References Cited**
U.S. PATENT DOCUMENTS
D229,451 S * 11/1973 Cregar D20/19
D559,577 S * 1/2008 Quinn D6/300

- 8,970,569 B2 * 3/2015 Vilcovsky G06Q 50/00 345/204
- 8,976,160 B2 * 3/2015 Vilcovsky G06F 3/011 345/204
- D727,995 S 4/2015 Vilcovsky
- 2012/0008104 A1 * 1/2012 Goodall G03B 21/132 353/79
- 2015/0138304 A1 * 5/2015 McArdell A47B 21/00 348/14.07
- 2015/0281640 A1 * 10/2015 Kwon G06F 3/01 348/14.07

* cited by examiner

Primary Examiner — Wan Laymon
(74) *Attorney, Agent, or Firm* — Nixon Peabody LLP; Joseph Bach, Esq.

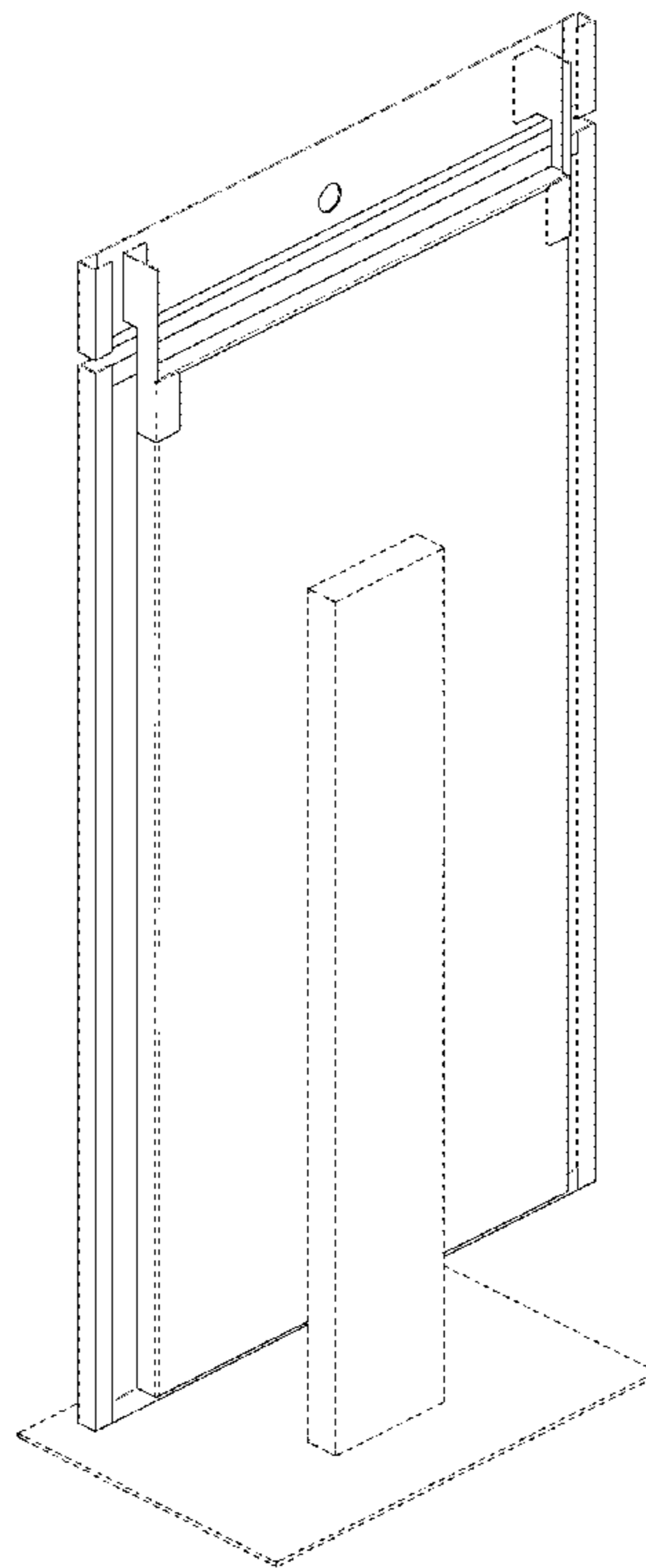
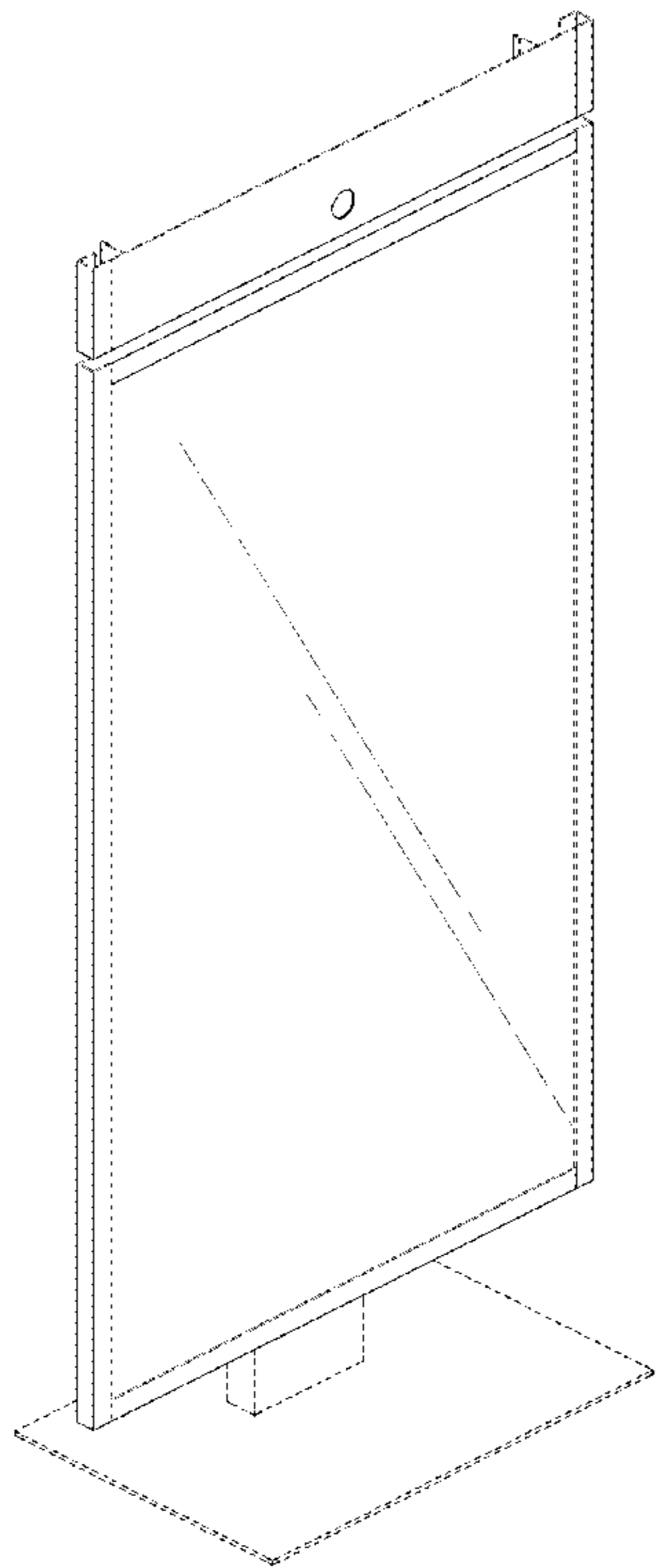
(57) **CLAIM**
The ornamental design for a portrait flat panel display, as shown and described.

DESCRIPTION

FIG. 1 is a front perspective view; FIG. 2 is a rear perspective view thereof; FIG. 3 is a front view thereof; FIG. 4 is a rear view thereof; FIG. 5 is a right side view thereof; and FIG. 6 is a left side view thereof; FIG. 7 is a top view thereof; and, FIG. 8 is a bottom view thereof.

The broken lines shown in the drawings are included for the purpose of illustrating environmental structure and form no part of the claimed design.

1 Claim, 6 Drawing Sheets



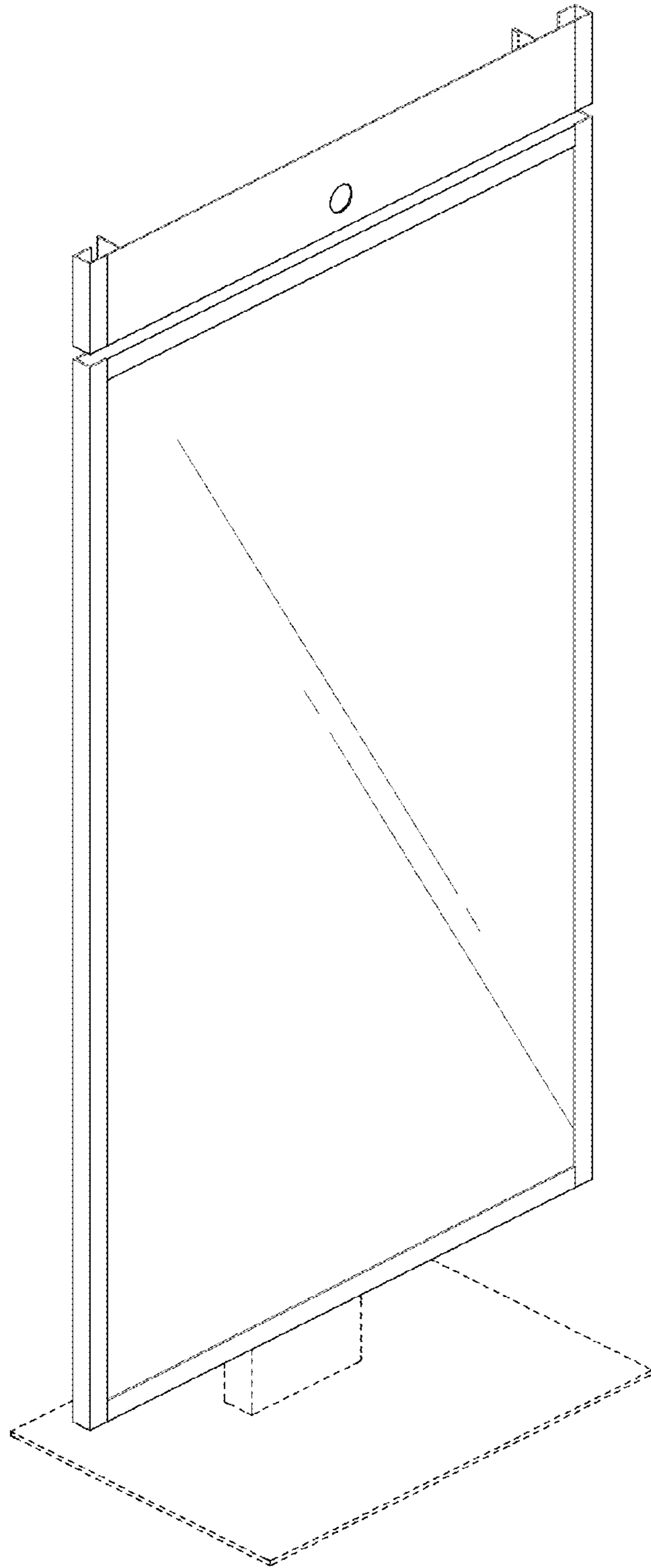


FIG. 1

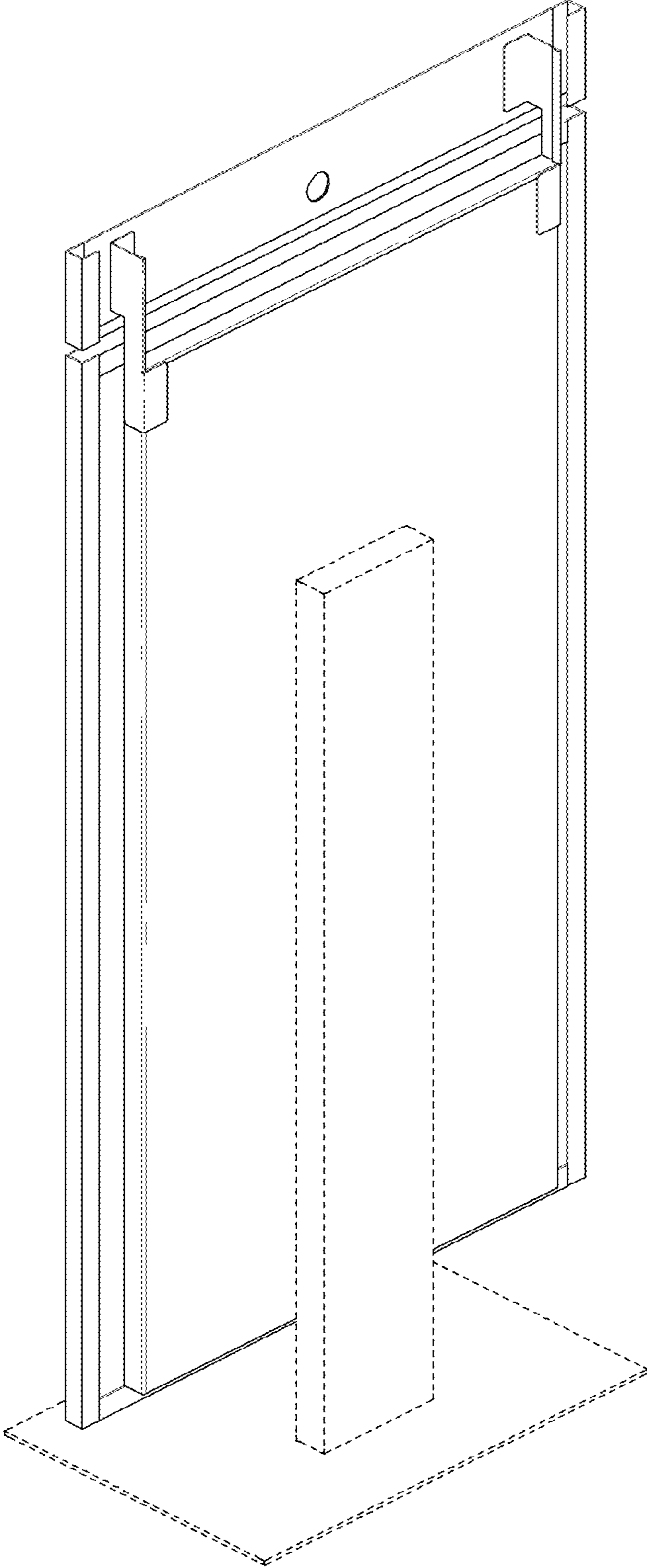


FIG. 2

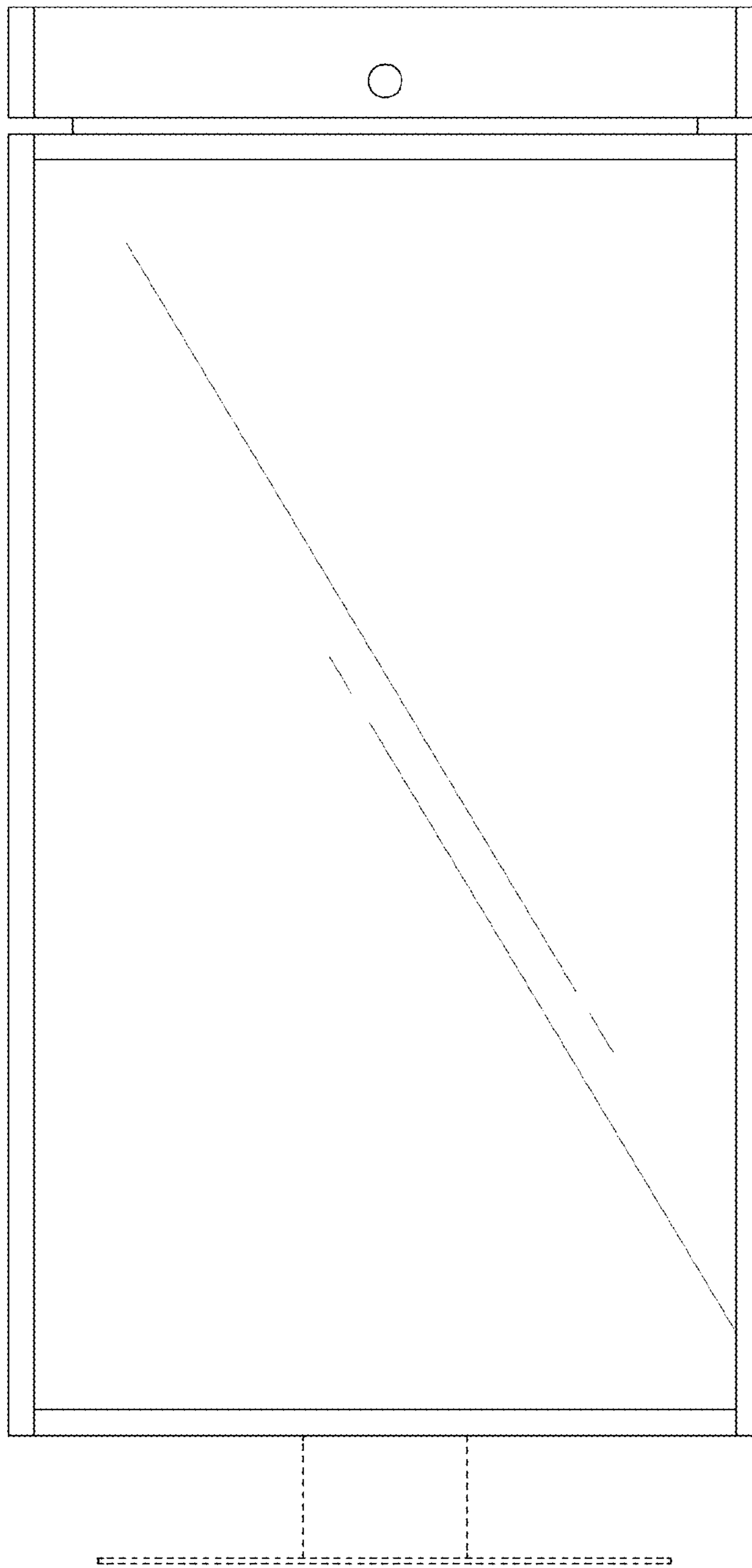


FIG. 3

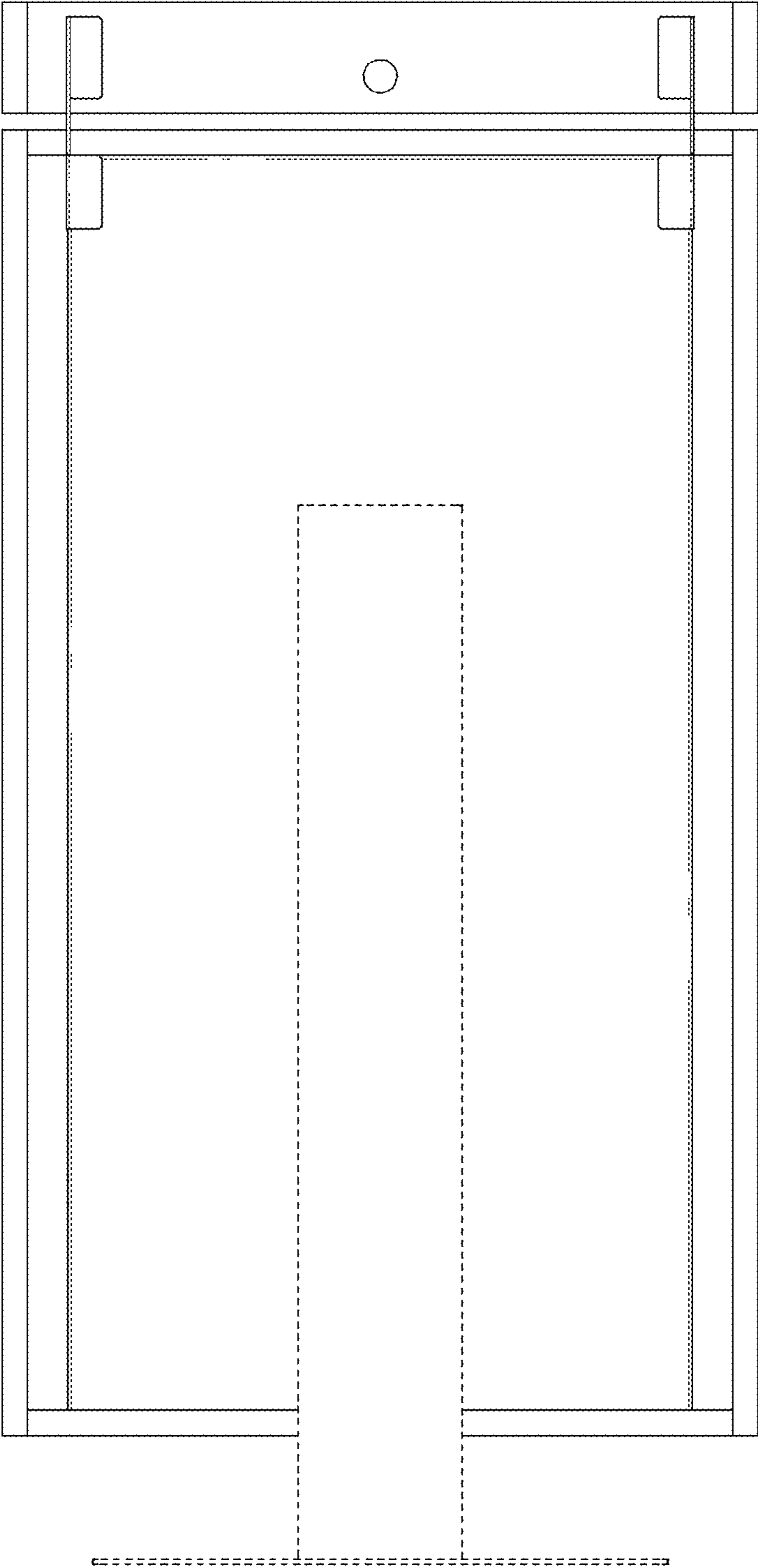


FIG. 4

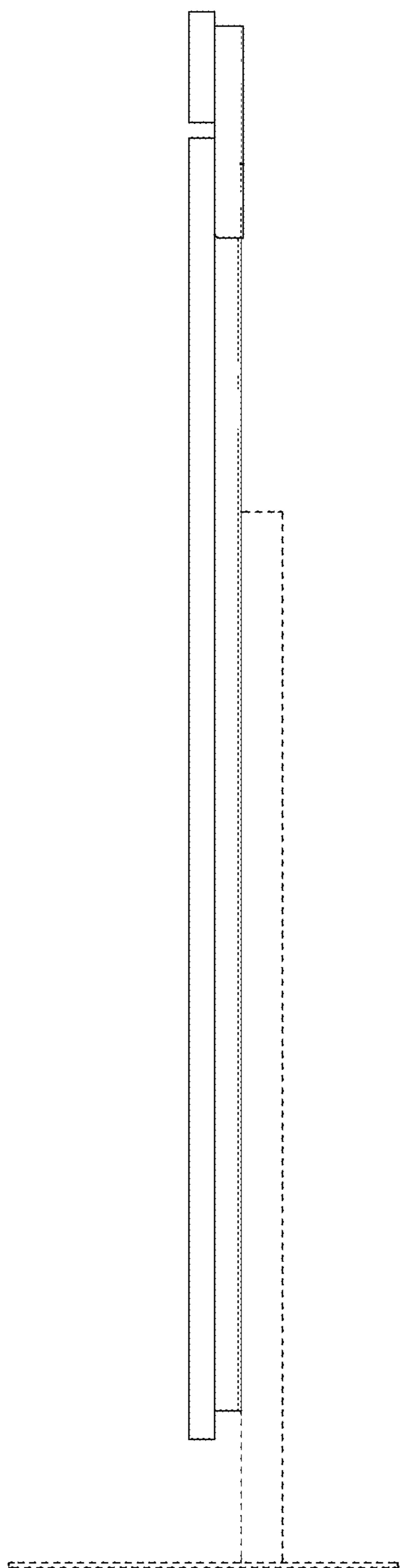


FIG. 5

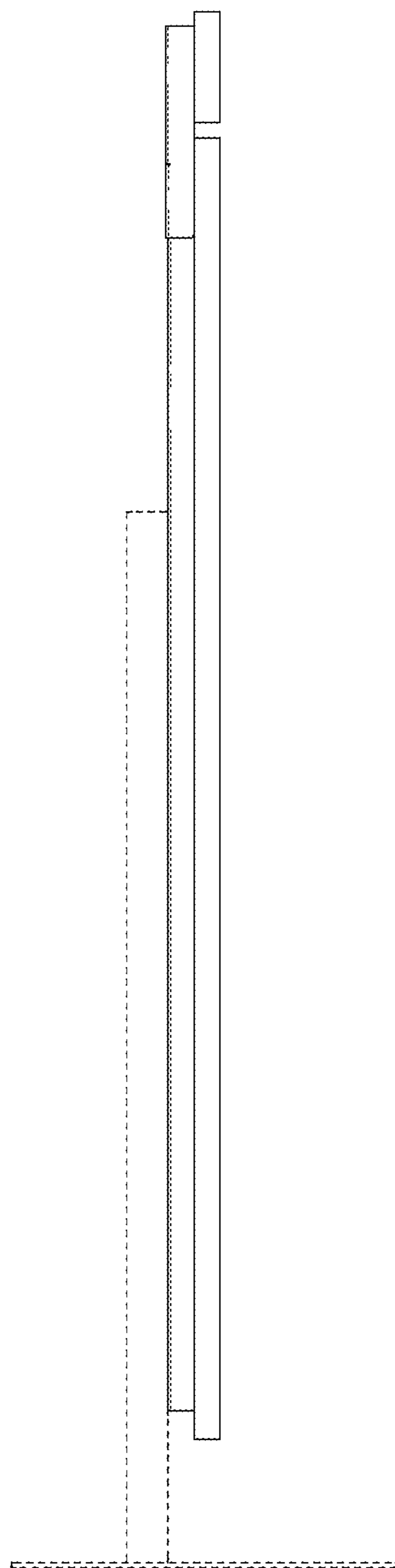


FIG. 6

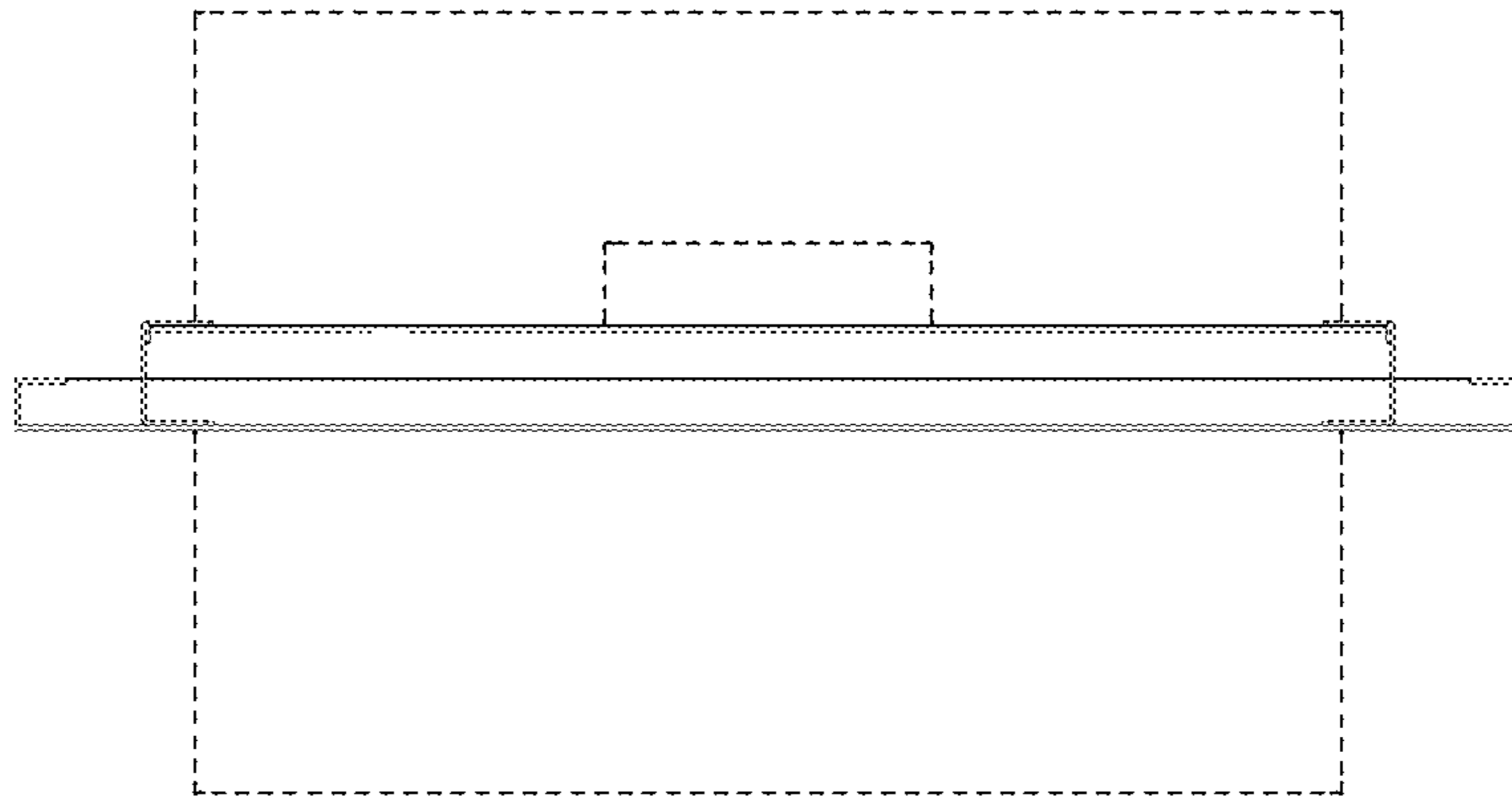


FIG. 7



FIG. 8