



US00D753752S

(12) **United States Design Patent**  
**Ahman et al.**

(10) **Patent No.:** **US D753,752 S**  
(45) **Date of Patent:** **\*\* Apr. 12, 2016**

(54) **MONITORING CAMERA**

(71) Applicant: **AXIS AB**, Lund (SE)

(72) Inventors: **Daniel Ahman**, Lomma (SE); **Mikael Persson**, Malmo (SE); **Kent Fransson**, Malmo (SE); **Samir Helaoui**, Malmo (SE); **Mathias Walter**, Arlov (SE); **Morten Bergstrom**, Bjarred (SE); **Henrik Svedberg**, Loddekopinge (SE); **Christian Jacobsson**, Lund (SE)

(73) Assignee: **AXIS AB**, Lund (SE)

(\*\*) Term: **14 Years**

(21) Appl. No.: **29/500,784**

(22) Filed: **Aug. 28, 2014**

(30) **Foreign Application Priority Data**

Feb. 28, 2014 (EM) ..... 00241533-0001  
Feb. 28, 2014 (EM) ..... 00241533-0002  
Feb. 28, 2014 (EM) ..... 00241533-0003

(51) **LOC (10) Cl.** ..... **16-01**

(52) **U.S. Cl.**  
USPC ..... **D16/203**

(58) **Field of Classification Search**

USPC ..... D16/200, 202–206, 208, 218, 219, 242;  
348/143, 148, 151, 373–376; 396/419,  
396/427, 535, 539–541  
CPC ..... G03B 17/02; G03B 19/04; G03B 17/56;  
G03B 17/04; G03B 15/03; H04N 5/2251;  
H04N 5/2252; H04N 5/2253; H04N 5/2254;  
H04N 7/181; H04N 7/183; H04N 7/18;  
G08B 13/1963; G08B 13/19619; G08B  
13/19632; F16M 11/04; F16M 13/00

See application file for complete search history.

(56) **References Cited**

U.S. PATENT DOCUMENTS

5,689,304 A \* 11/1997 Jones ..... G08B 13/19619  
348/143  
D414,504 S \* 9/1999 Madden ..... D16/203  
6,322,258 B1 \* 11/2001 Ryan ..... G08B 13/196  
396/427  
D457,904 S 5/2002 Toste et al.  
D552,651 S \* 10/2007 Arbuckle ..... D16/202  
D603,441 S 11/2009 Wada et al.

(Continued)

FOREIGN PATENT DOCUMENTS

EM 001113641-0002 7/2009  
TW D157409 11/2013

OTHER PUBLICATIONS

Axis Communications Data Sheet, AXIS Q6032-E PTZ Dome Network Camera, Advanced, outdoor-ready PTZ dome for demanding surveillance, Jan. 2013.

*Primary Examiner* — Adir Aronovich

*Assistant Examiner* — Ramzi Almatrahi

(74) *Attorney, Agent, or Firm* — Volpe and Koenig, P.C.

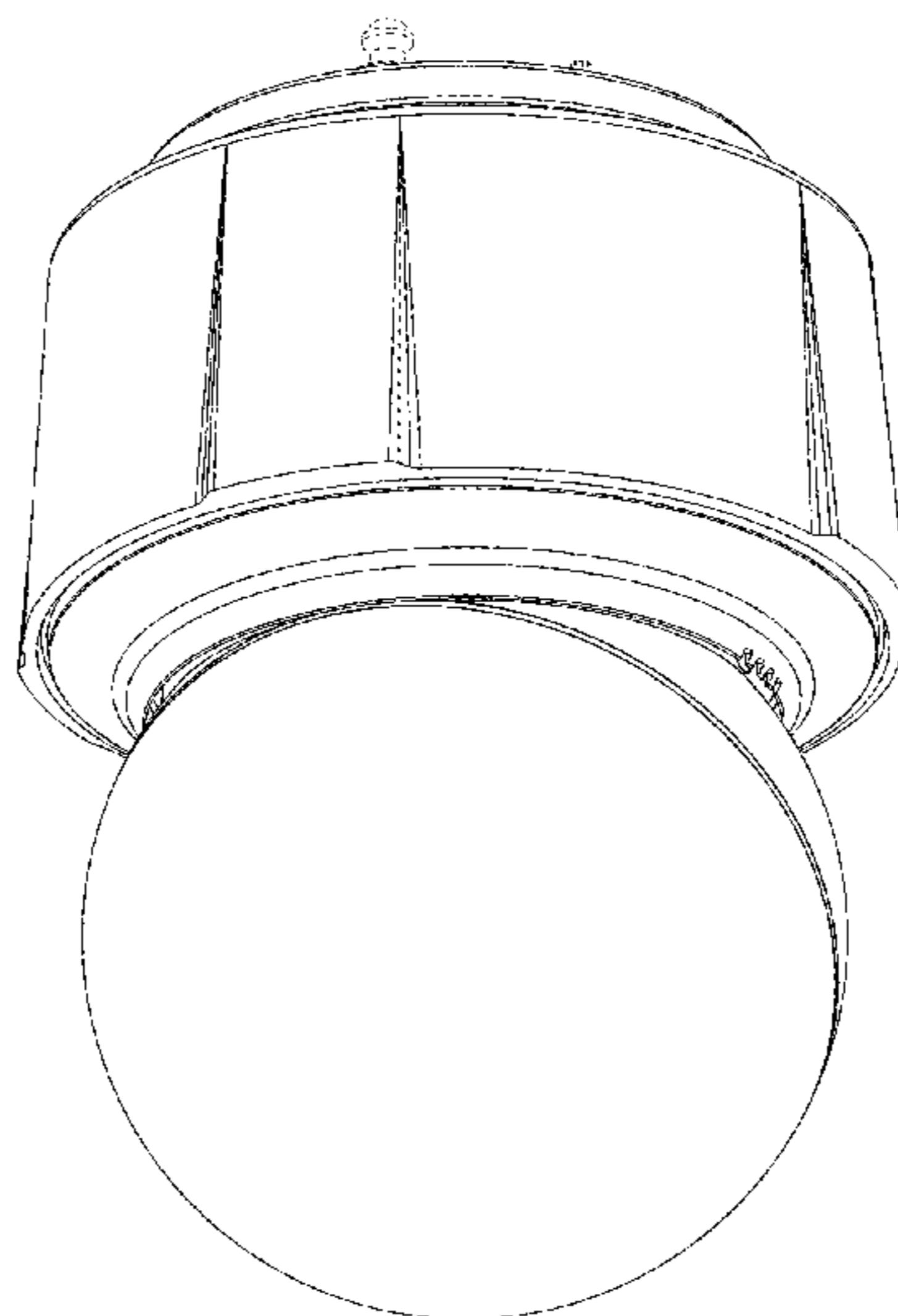
(57) **CLAIM**

The ornamental design for a monitoring camera, as shown and described.

**DESCRIPTION**

FIG. 1 is a perspective view of a monitoring camera showing our new design;  
FIG. 2 is a front elevational view thereof;  
FIG. 3 is a left side elevational view thereof;  
FIG. 4 is a right side elevational view thereof;  
FIG. 5 is a rear elevational view thereof;  
FIG. 6 is a bottom plan view thereof; and,  
FIG. 7 is a top plan view thereof.  
The broken lines depict portions of a monitoring camera in which the design is embodied and form no part of the claimed design.

**1 Claim, 6 Drawing Sheets**



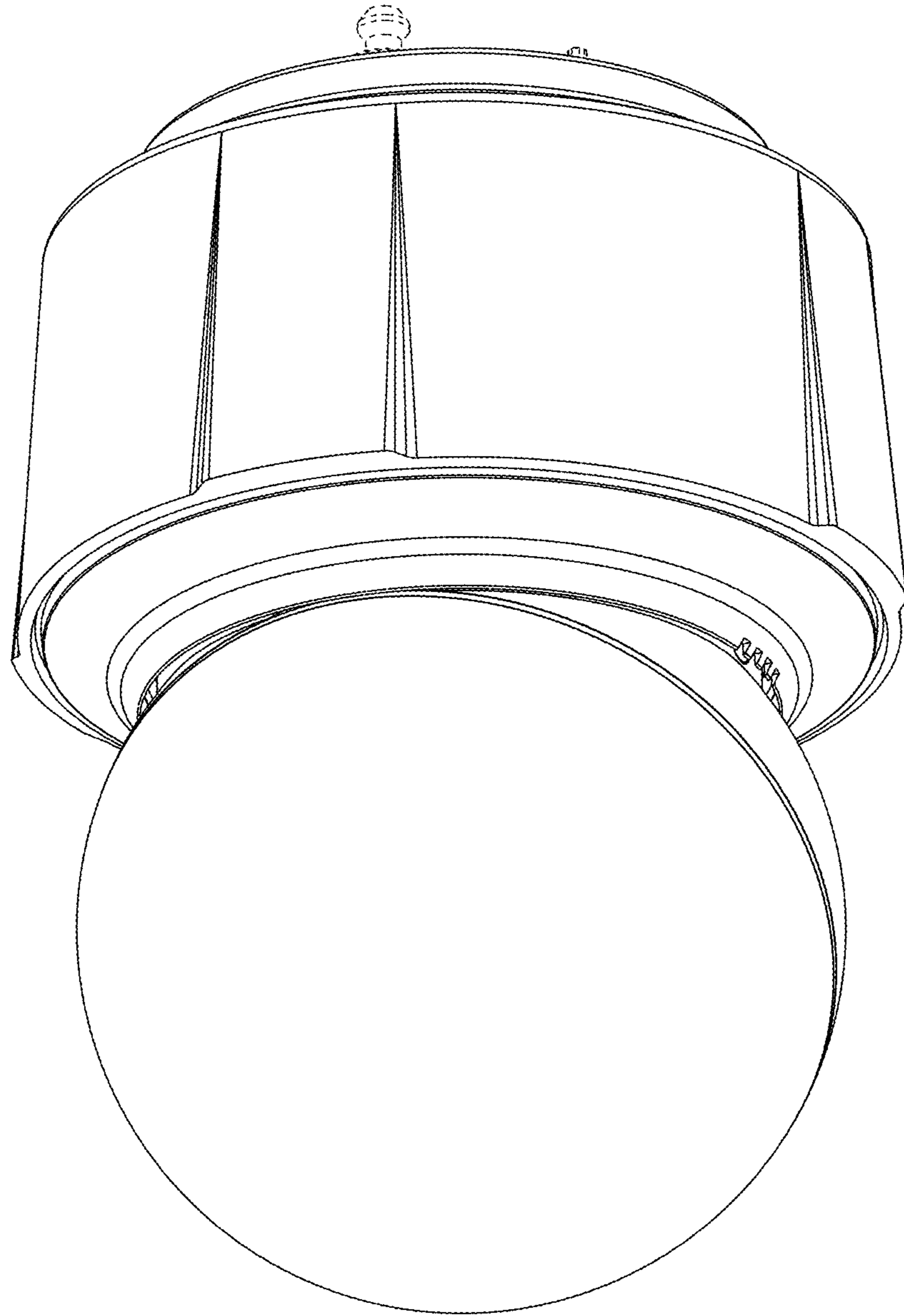
(56)

**References Cited**

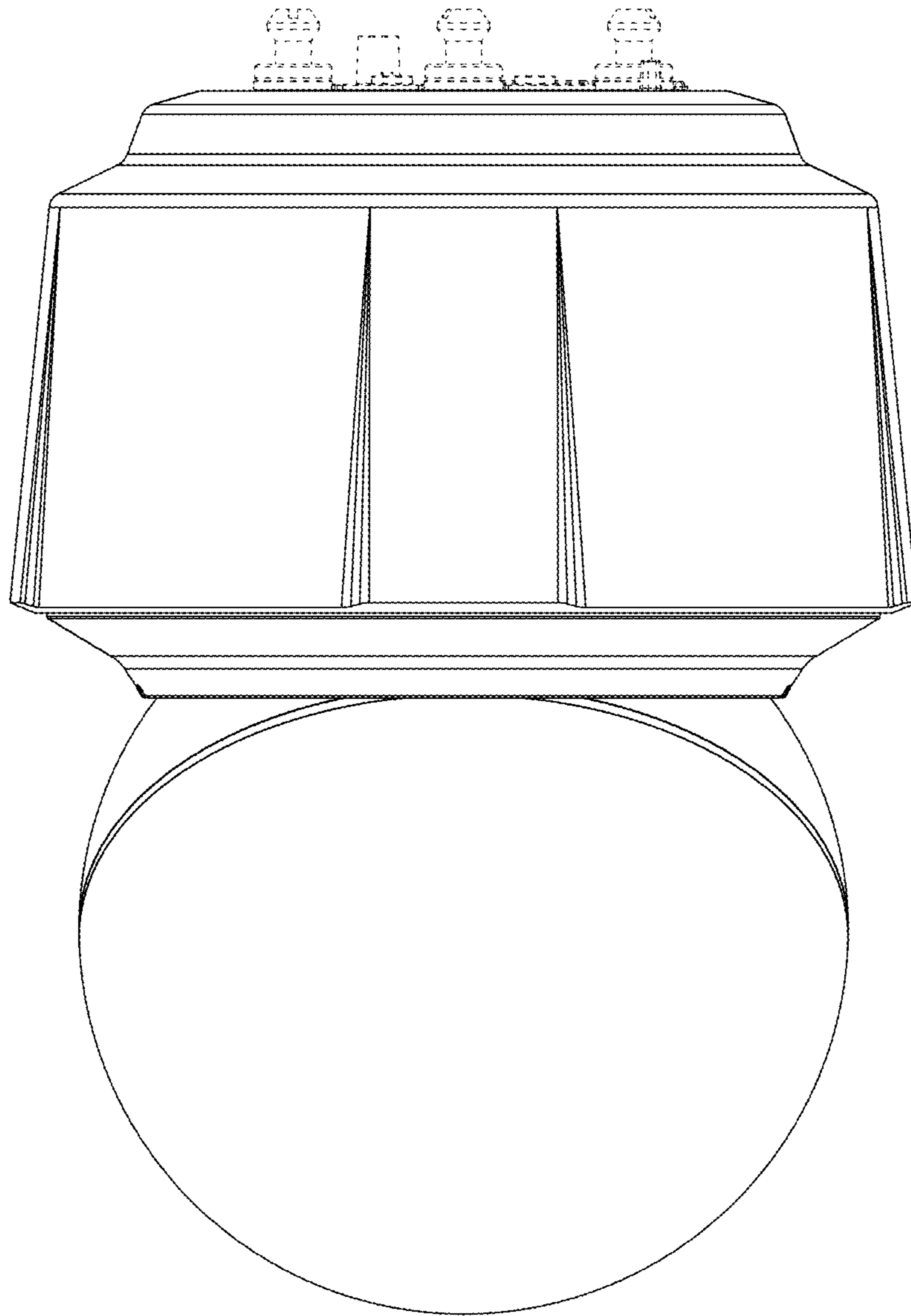
U.S. PATENT DOCUMENTS

D633,931 S *	3/2011	Ham .....	D16/203	D655,328 S	3/2012	Anneback et al.	
D636,804 S	4/2011	Anneback et al.		D702,275 S *	4/2014	Ying .....	D16/203
D636,805 S *	4/2011	Anneback .....	D16/203	D705,844 S *	5/2014	Bart .....	D16/203
D639,328 S *	6/2011	Zeinoun .....	D16/203	D708,654 S *	7/2014	Tani .....	D16/203
D639,843 S *	6/2011	Zeinoun .....	D16/203	D731,579 S *	6/2015	Bart .....	D16/203

\* cited by examiner



*Figure 1*



*Figure 2*

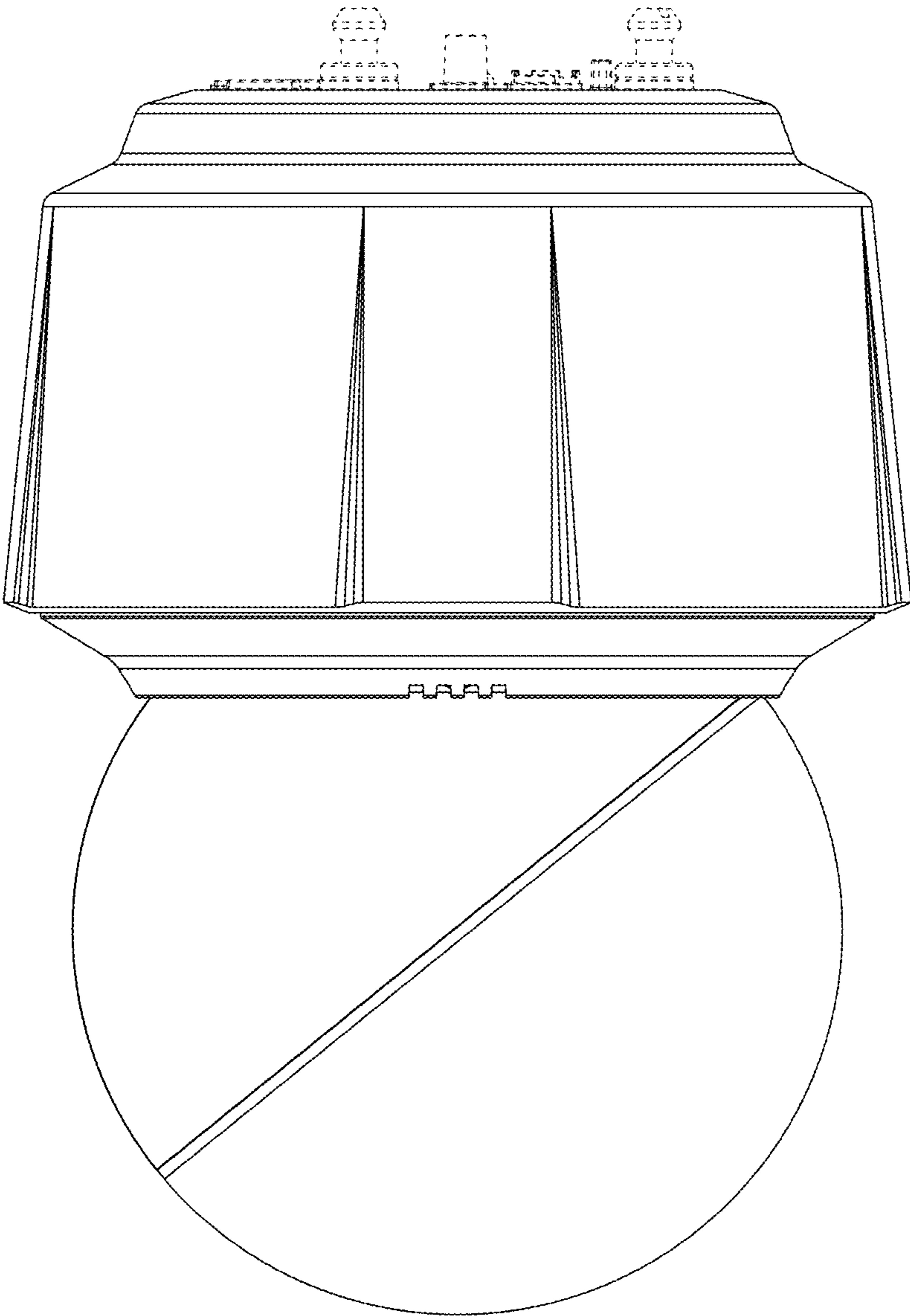
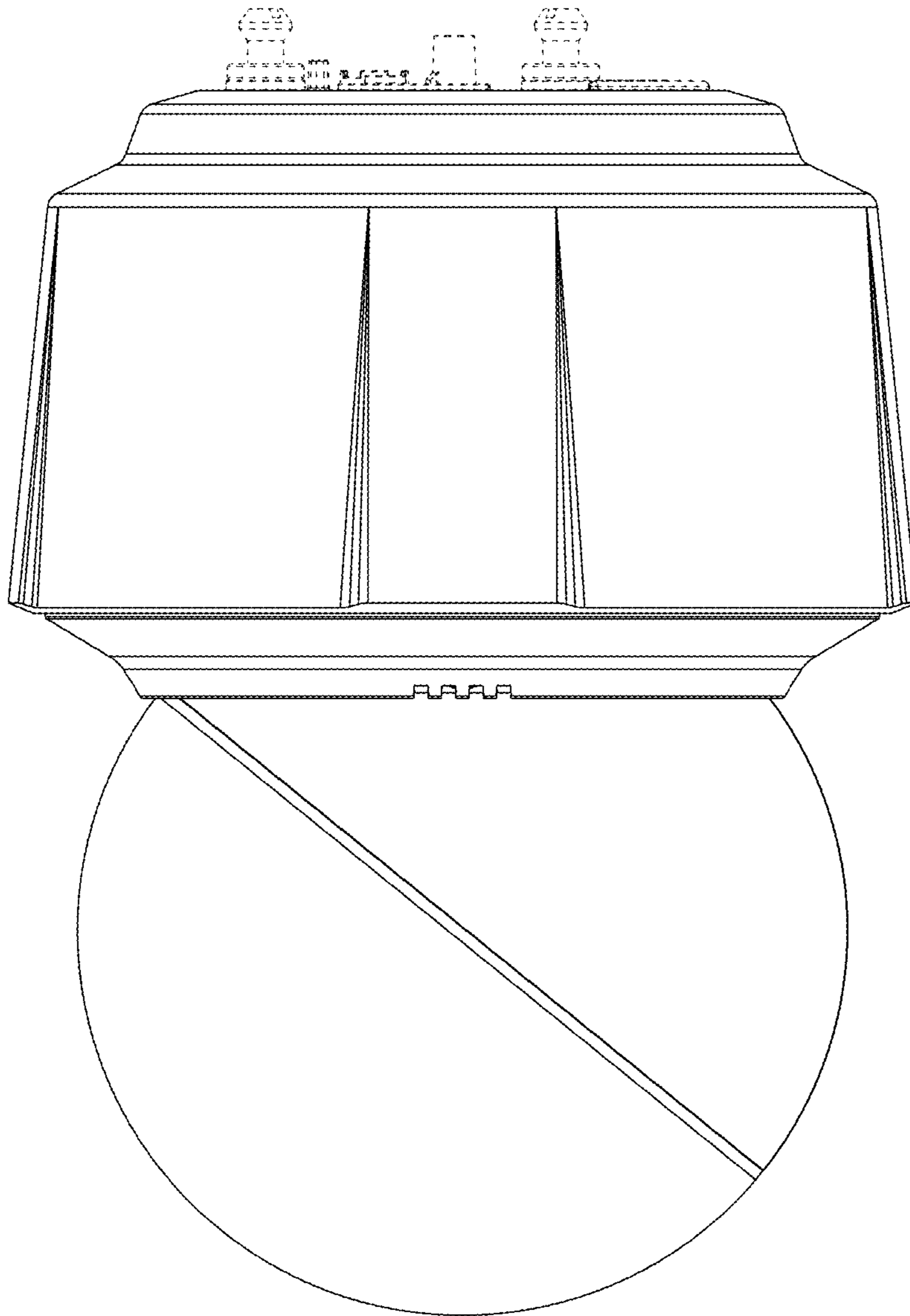
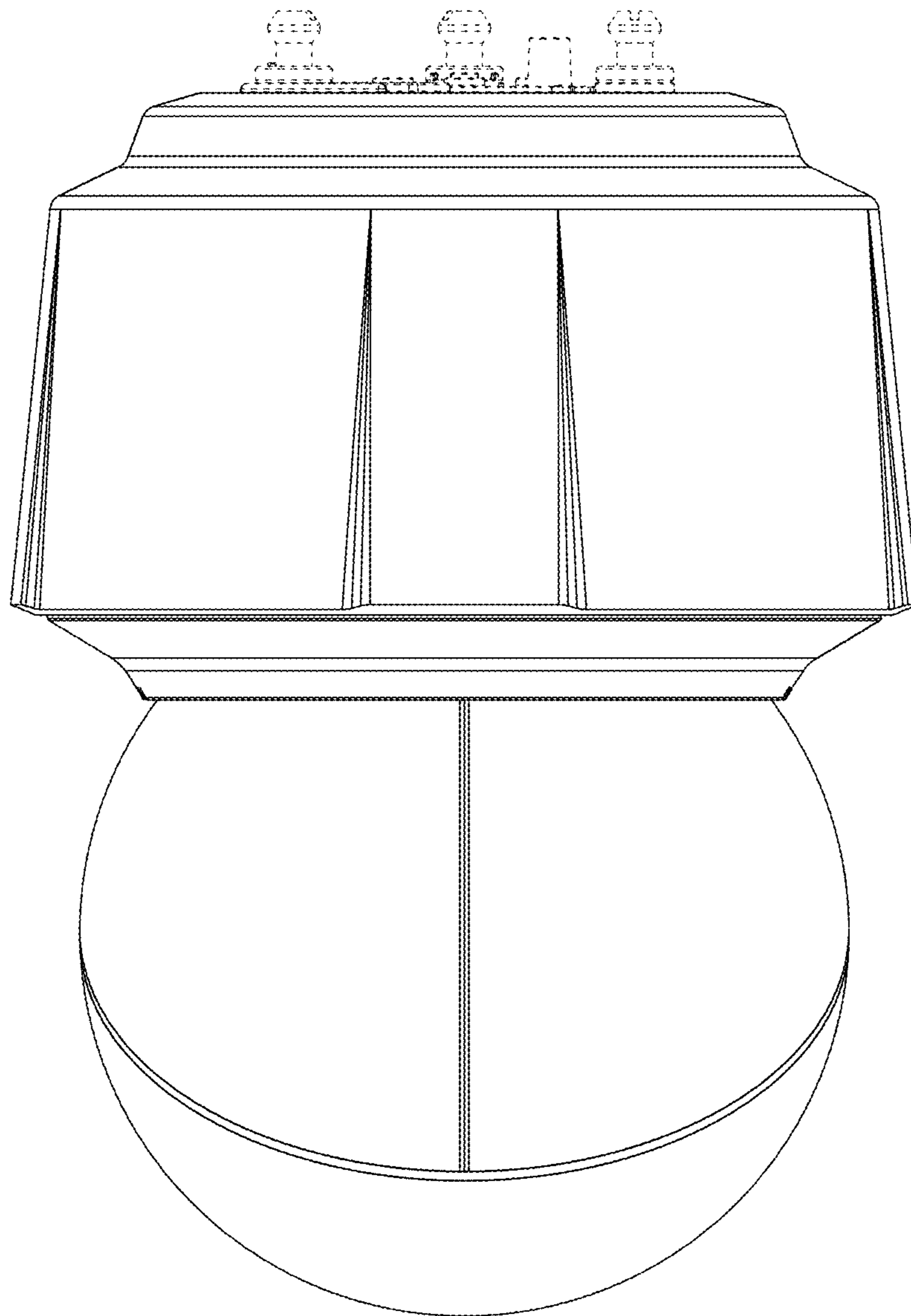


Figure 3



*Figure 4*



*Figure 5*

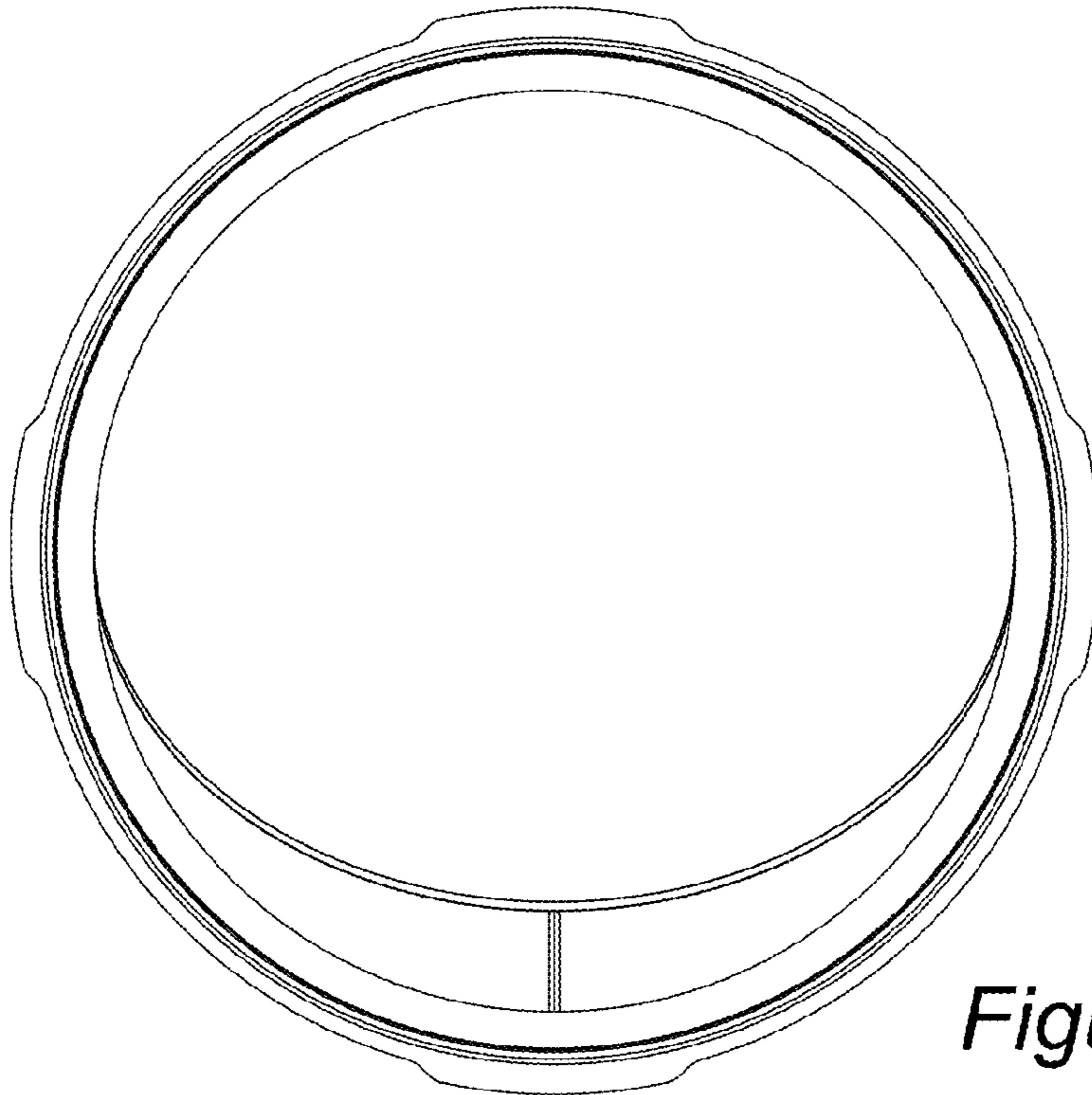


Figure 6

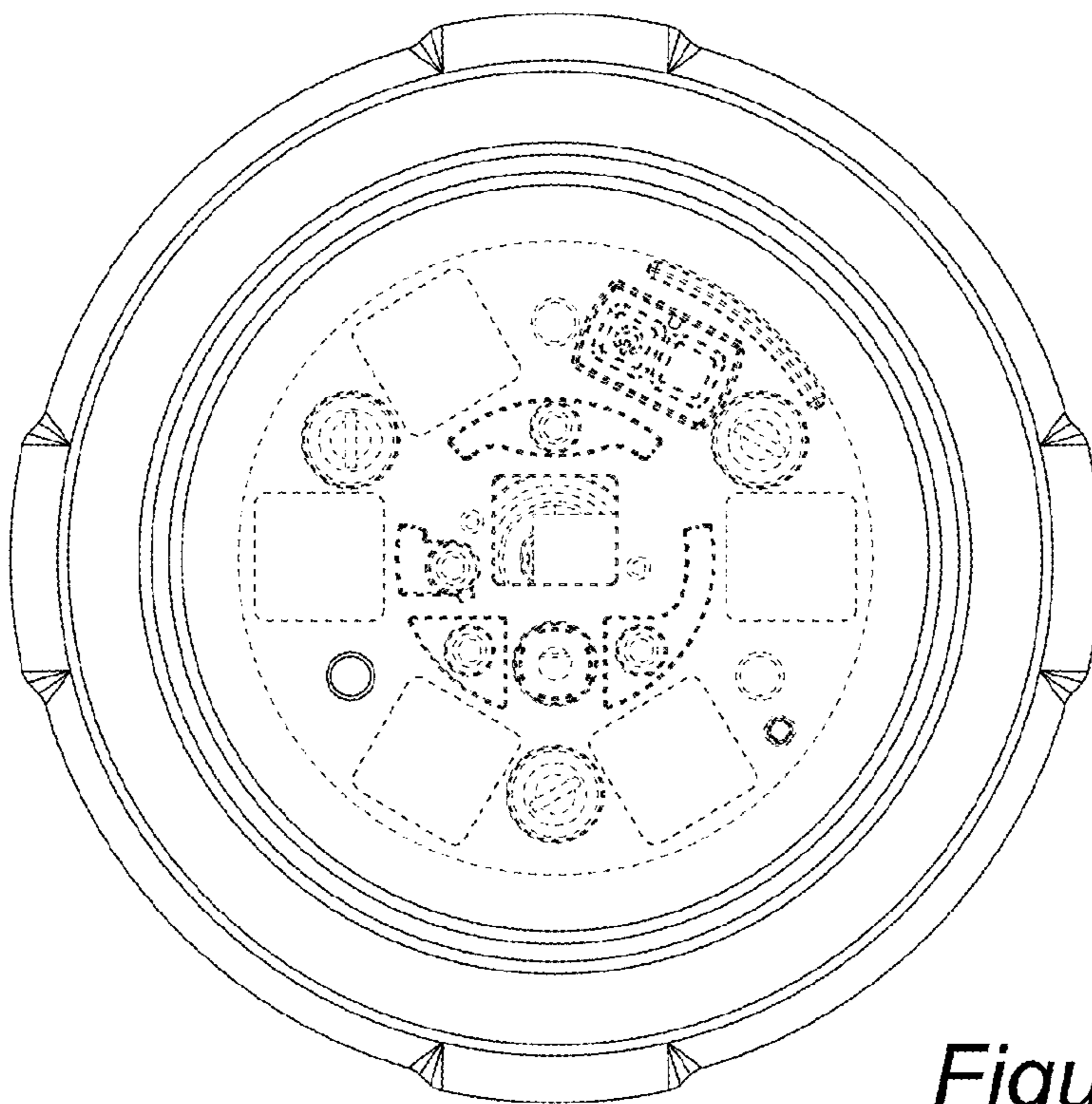


Figure 7



UNITED STATES PATENT AND TRADEMARK OFFICE  
**CERTIFICATE OF CORRECTION**

PATENT NO. : D753,752 S  
APPLICATION NO. : 29/500784  
DATED : April 12, 2016  
INVENTOR(S) : Ahman et al.

Page 1 of 1

It is certified that error appears in the above-identified patent and that said Letters Patent is hereby corrected as shown below:

On the Title Page

At (72) Inventors: delete "Christian Jacobsson" and insert therefor --Christian Jakobsson--.

Signed and Sealed this  
Third Day of August, 2021



Drew Hirshfeld  
*Performing the Functions and Duties of the  
Under Secretary of Commerce for Intellectual Property and  
Director of the United States Patent and Trademark Office*