



US00D753751S

(12) **United States Design Patent**
Moller-Lewin et al.

(10) **Patent No.:** **US D753,751 S**
(45) **Date of Patent:** **** Apr. 12, 2016**

(54) **MONITORING CAMERA**

(71) Applicant: **AXIS AB**, Lund (SE)

(72) Inventors: **Niclas Moller-Lewin**, Malmo (SE);
Mathias Andersson, Hoganas (SE);
Mariano Vozzi, Malmo (SE); **Andres Vigren**, Hollviken (SE)

(73) Assignee: **AXIS AB**, Lund (SE)

(**) Term: **14 Years**

(21) Appl. No.: **29/461,582**

(22) Filed: **Jul. 25, 2013**

(51) **LOC (10) Cl.** **16-01**

(52) **U.S. Cl.**
USPC **D16/203**

(58) **Field of Classification Search**
USPC D16/200, 202–206, 218, 219, 242;
348/143, 148, 151, 373–376; 396/419,
396/427, 535, 539–541
CPC G03B 17/02; G03B 19/04; G03B 17/56;
G03B 17/04; G03B 15/03; H04N 5/2251;
H04N 5/2252; H04N 5/2253; H04N 5/2254;
H04N 7/181; H04N 7/183; H04N 7/18;
G08B 13/1963; G08B 13/19619; G08B
13/19632; F16M 11/04; F16M 13/00
See application file for complete search history.

(56) **References Cited**

U.S. PATENT DOCUMENTS

D582,460 S * 12/2008 Yoo et al. D16/203
D589,995 S * 4/2009 Kellar et al. D16/203
D635,172 S * 3/2011 Ko D16/203
D635,173 S * 3/2011 Yamakawa D16/203
D661,719 S * 6/2012 Katori et al. D16/203
D669,108 S * 10/2012 Maeyama D16/202
D691,187 S * 10/2013 Seo et al. D16/203

D696,330 S * 12/2013 Matsumoto et al. D16/203
D702,274 S * 4/2014 Qian et al. D16/203
D721,756 S * 1/2015 Hallstrom et al. D16/203
2008/0170121 A1 * 7/2008 Su et al. 348/143
2010/0013922 A1 * 1/2010 Cheng 348/143

FOREIGN PATENT DOCUMENTS

TW D113621 10/1994

OTHER PUBLICATIONS

http://www.pistore.com/equipment—cameras—bullet—c—2_207.html Date prior to Jan. 25, 2013.
<http://www.best—b2b.com/Sub—cat/592/593/surveillance—control> date prior to Jan. 25, 2013.
<http://www.bolideco.com> (Date prior to Jan. 25, 2013.)

(Continued)

Primary Examiner — Adir Aronovich

Assistant Examiner — Ramzi Almatrahi

(74) *Attorney, Agent, or Firm* — Volpe and Koenig, P.C.

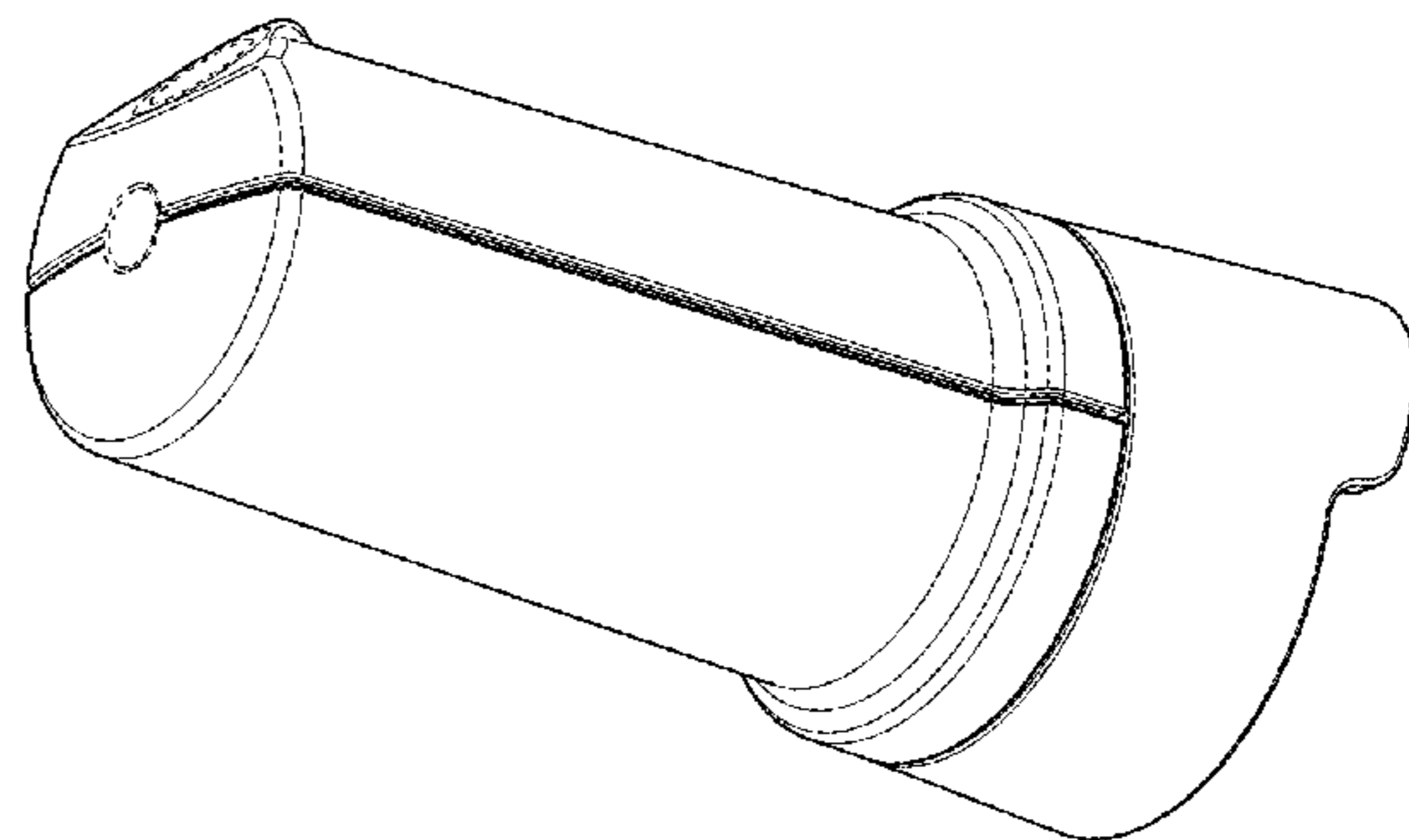
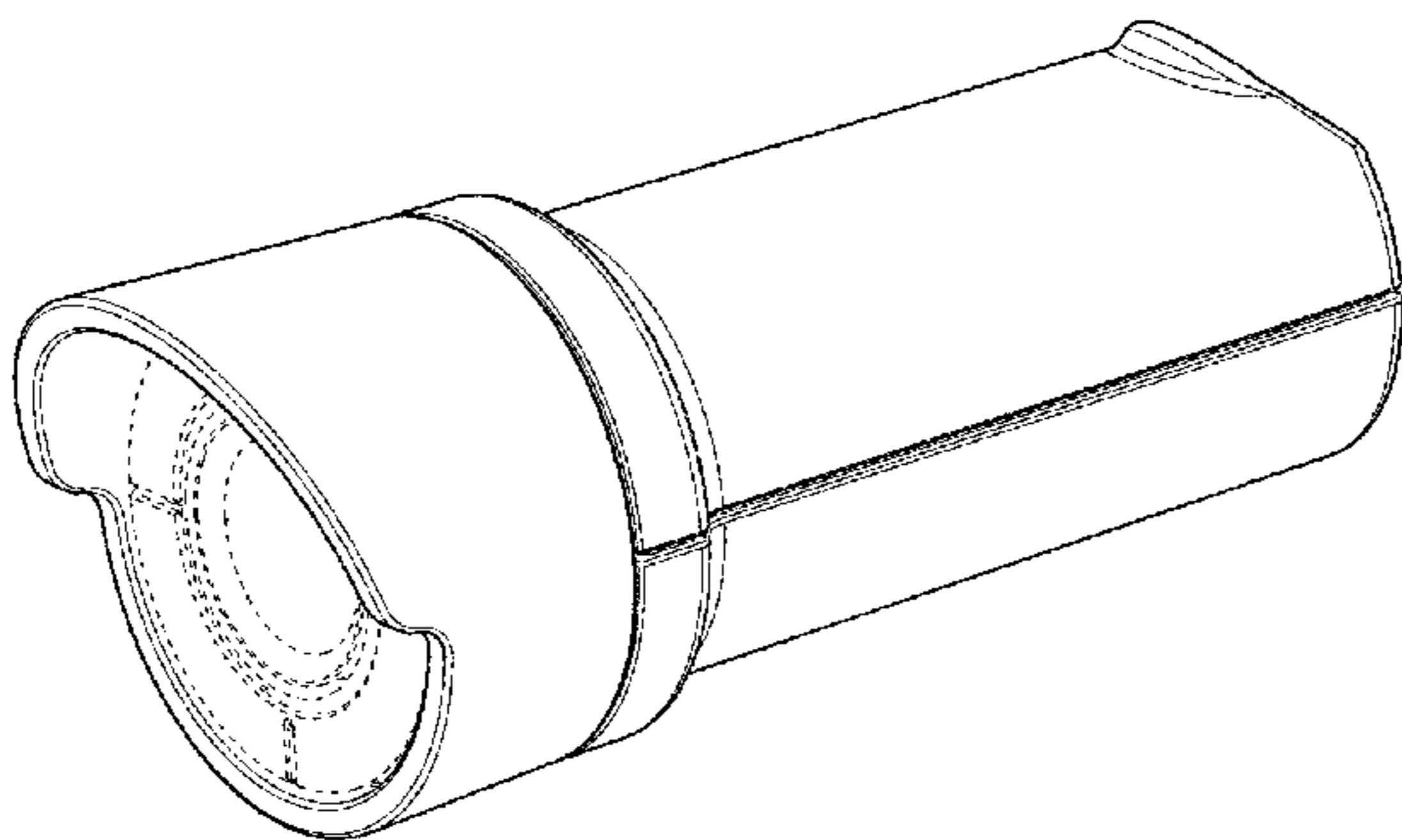
(57) **CLAIM**

The ornamental design for a monitoring camera, as shown and described.

DESCRIPTION

FIG. 1 is top, front and right side perspective view of a monitoring camera showing our new design;
FIG. 2 is bottom, rear and left side perspective view thereof;
FIG. 3 is a top plan view thereof;
FIG. 4 is a front elevational view thereof;
FIG. 5 is a left side elevational view thereof, the undisclosed right side elevational view being a mirror image of the left side elevation;
FIG. 6 is a bottom plan view thereof; and,
FIG. 7 is a rear elevational view thereof.
The broken lines depict portions of a monitoring camera in which the design is embodied and form no part of the claimed design.

1 Claim, 4 Drawing Sheets



(56)

References Cited

OTHER PUBLICATIONS

<http://bulletcameras.wordpress.com> Date prior to Jan. 25, 2013.
<http://www.maxmax.com> Date prior to Jan. 25, 2013.
<http://procompvideo.com> Date prior to Jan. 25, 2013.
<http://dcrsecurity.com> Date prior to Jan. 25, 2013.
<http://salestores.com> Date prior to Jan. 25, 2013.
<http://www.bhphotovideo.com> Date prior to Jan. 25, 2013.
<http://www.diytrade.com> Date prior to Jan. 25, 2013.

<http://www.asia.ru> Date prior to Jan. 25, 2013.
<http://www.clintonelectronics.com> Date prior to Jan. 25, 2013.
<http://www.cctv—security—camera—systems.com> Date prior to Jan. 25, 2013.
<http://www.dtsdigitalcctv.co.uk> Date prior to Jan. 25, 2013.
<http://www.gatetec.se> Date prior to Jan. 25, 2013.
<http://eyewitnesssystems.com> Date prior to Jan. 25, 2013.
<http://www.footprintsecurity.com.au> Date prior to Jan. 25, 2013.

* cited by examiner

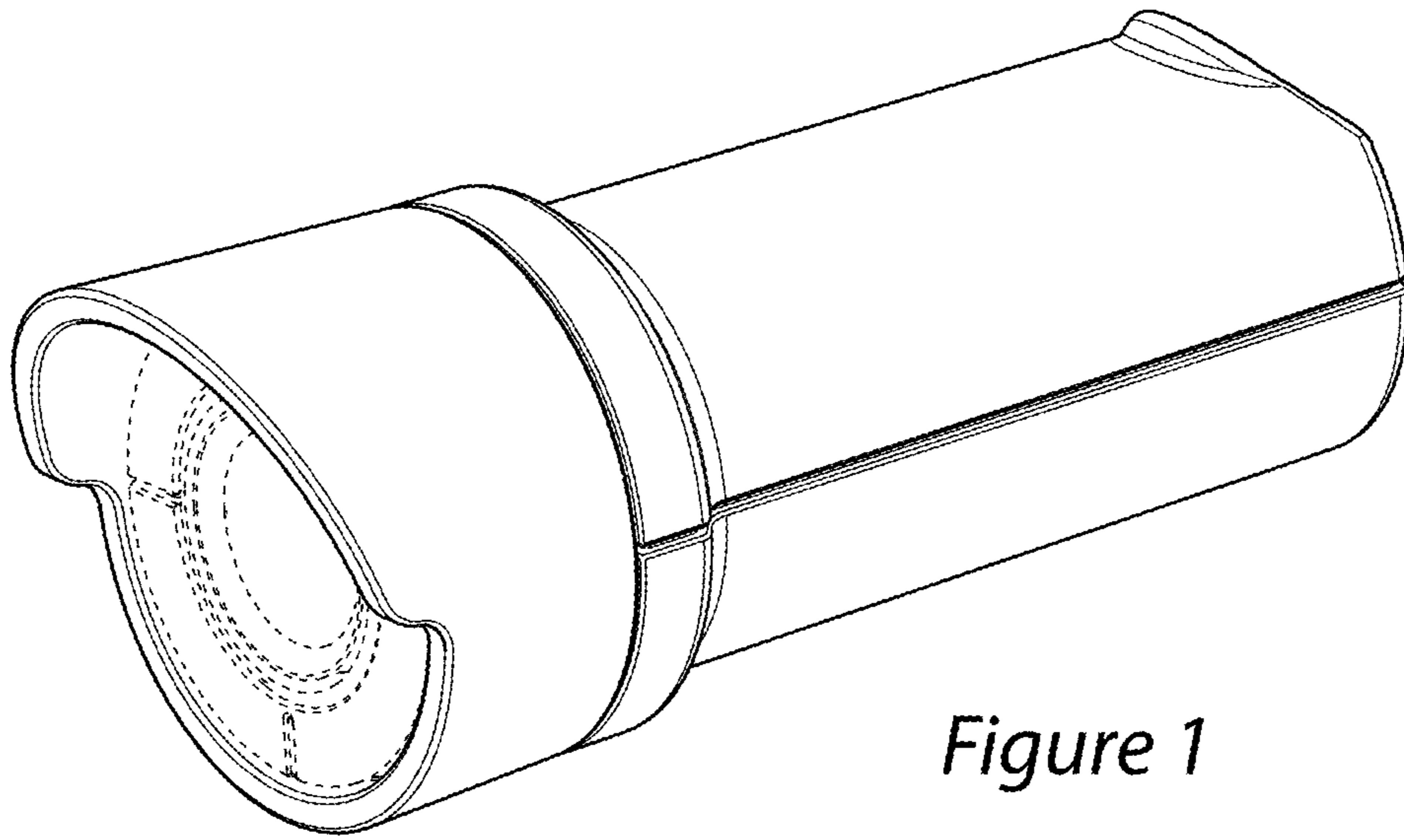


Figure 1

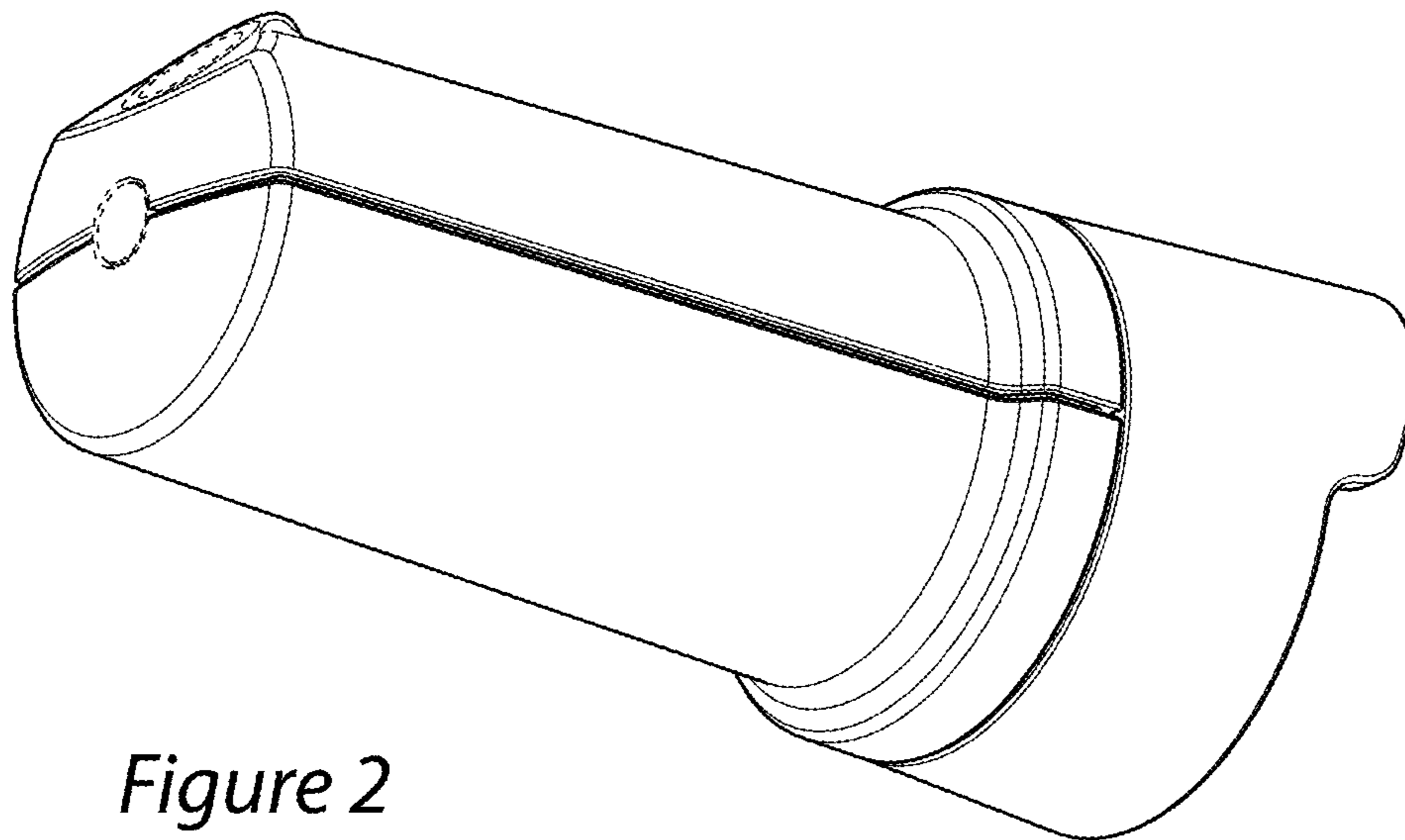


Figure 2

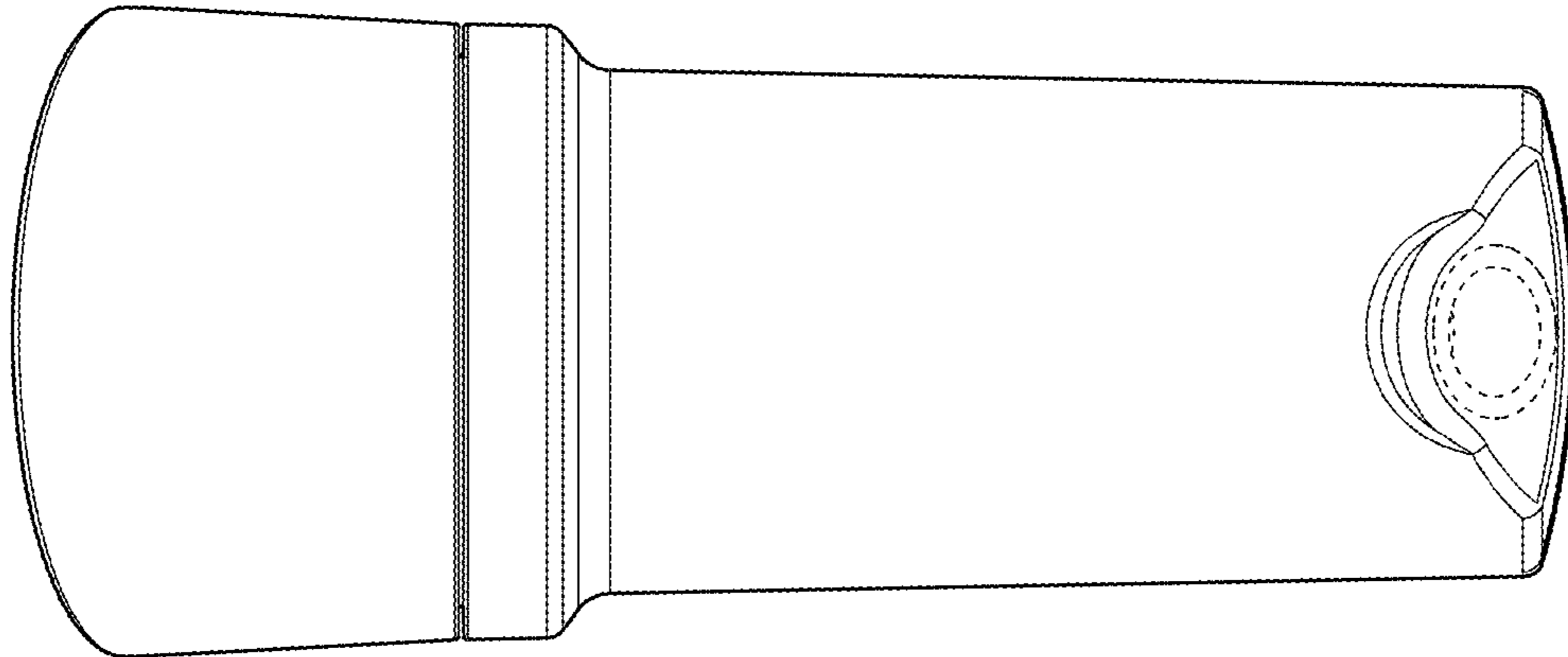


Figure 3

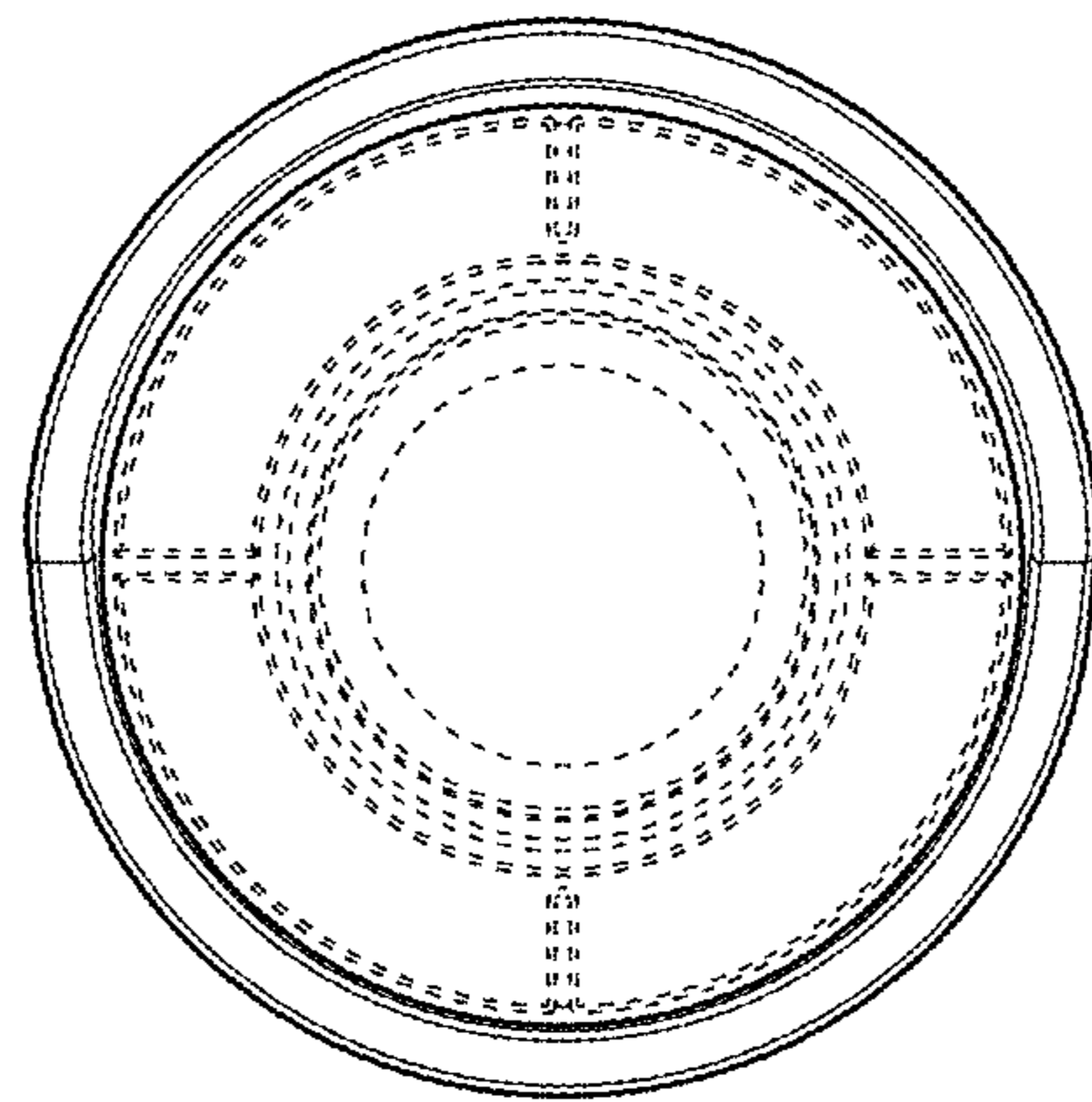


Figure 4

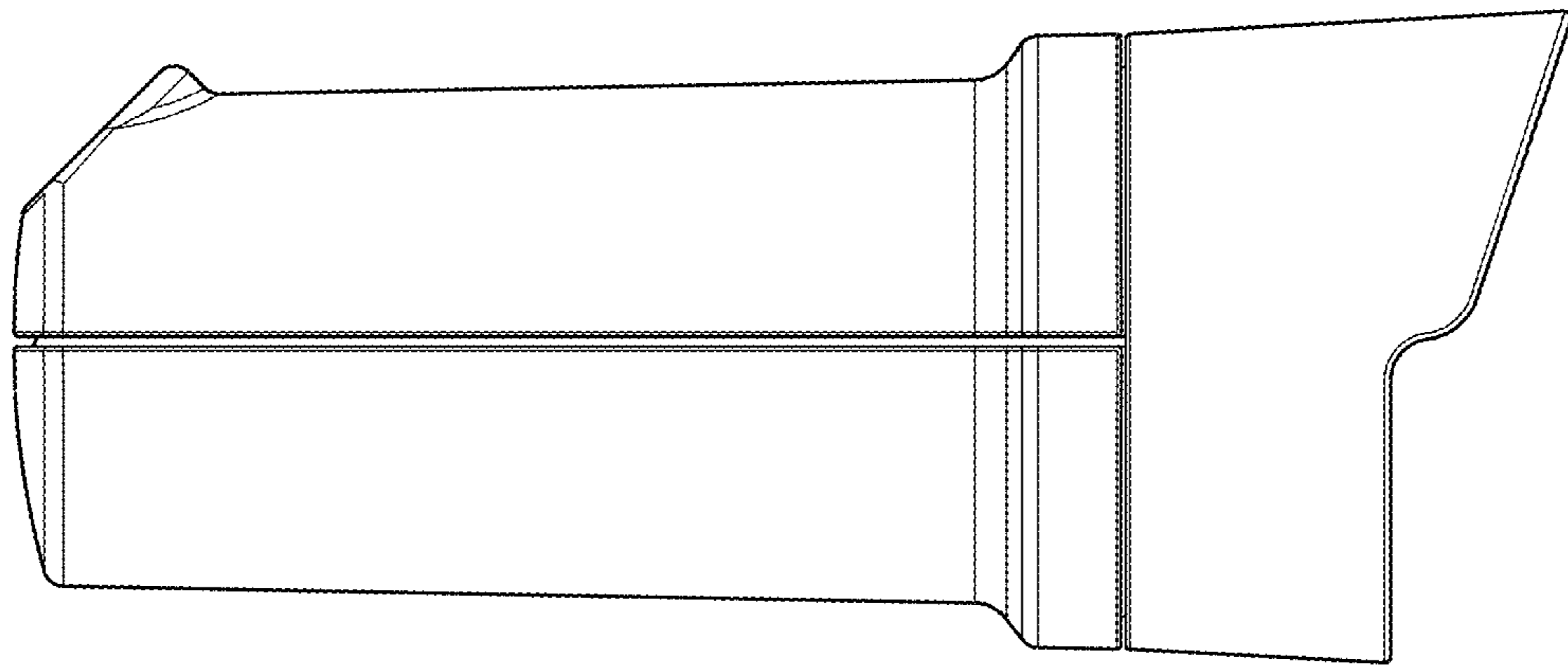


Figure 5

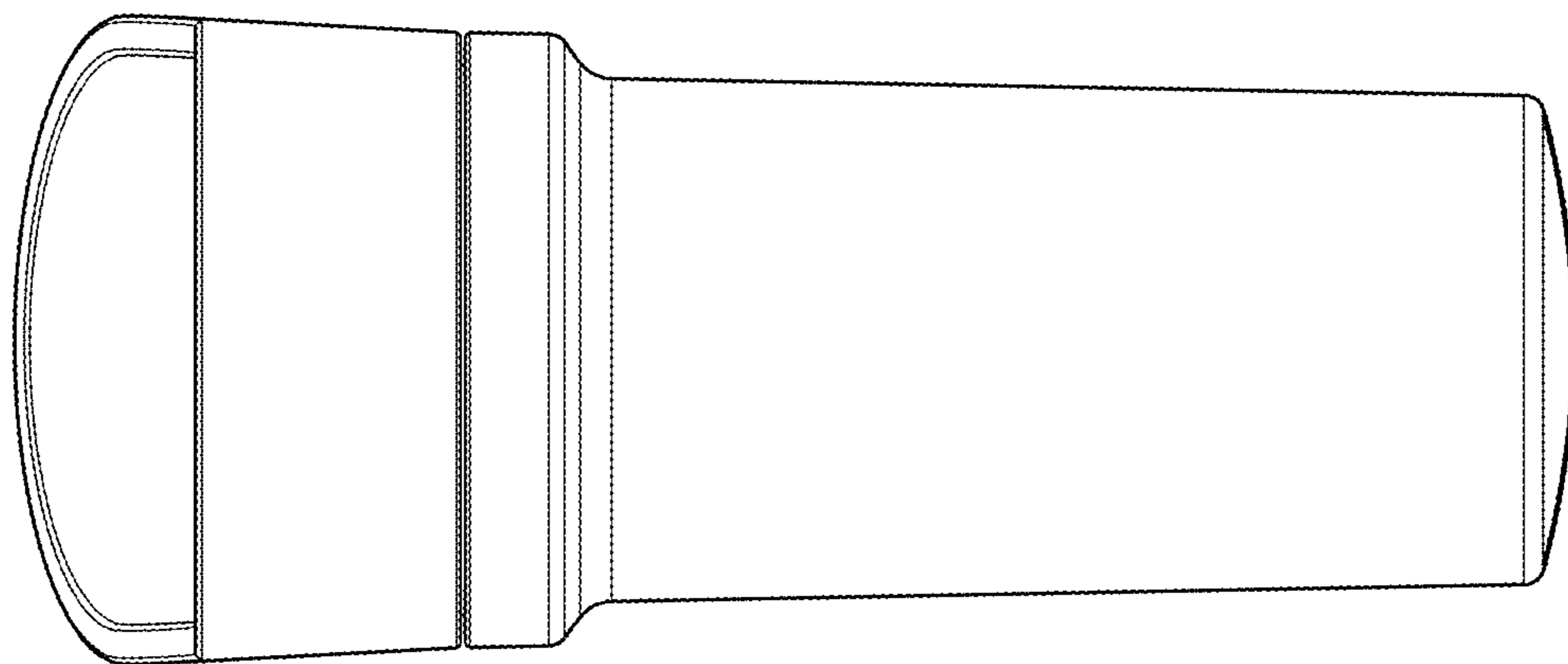


Figure 6

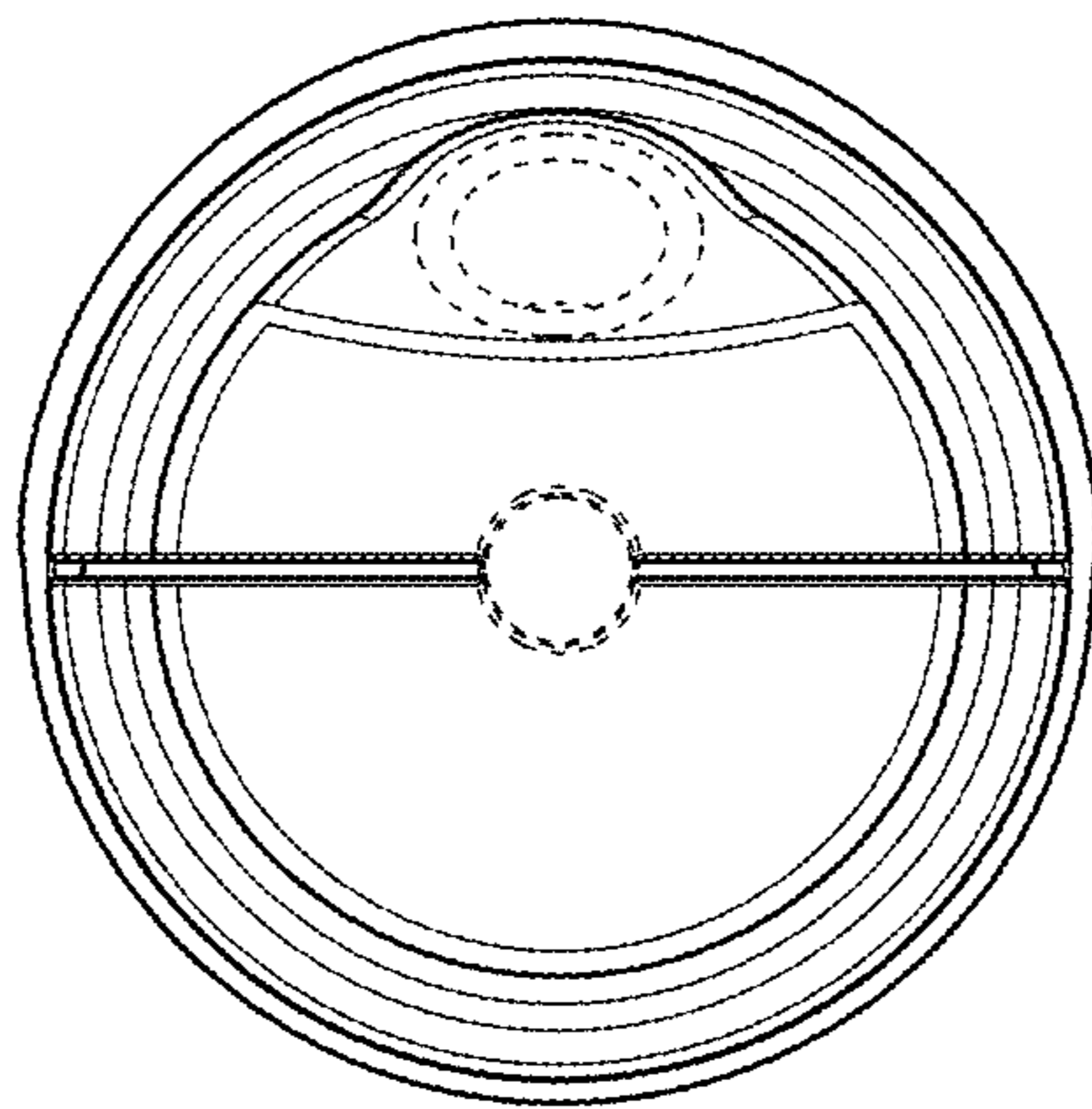


Figure 7