



US00D753750S

(12) **United States Design Patent**
Coward

(10) **Patent No.:** **US D753,750 S**
(45) **Date of Patent:** **** Apr. 12, 2016**

(54) **BACK-UP CAMERA**

(71) Applicant: **Mark T Coward**, Lombard, IL (US)

(72) Inventor: **Mark T Coward**, Lombard, IL (US)

(73) Assignee: **TRITON SIGNAL USA**, Lombard, IL (US)

(**) Term: **14 Years**

(21) Appl. No.: **29/524,857**

(22) Filed: **Apr. 23, 2015**

(51) **LOC (10) Cl.** **16-01**

(52) **U.S. Cl.**
USPC **D16/202; D16/242**

(58) **Field of Classification Search**
USPC D16/200, 202, 203, 208, 218, 242;
248/278.1; 348/14.08, 14.1, 373;
396/419, 535
CPC . H04N 5/2251; H04N 5/2252; H04N 5/2253;
H04N 5/2254; H04N 7/15; H04N 7/142
See application file for complete search history.

(56) **References Cited**

U.S. PATENT DOCUMENTS

D315,742 S * 3/1991 Matsumoto D16/203
5,374,952 A * 12/1994 Flohr H04N 7/15
348/14.08
D355,920 S * 2/1995 Shinano D16/202
D385,571 S * 10/1997 Abrams D16/203

D386,505 S * 11/1997 Maeyama D16/202
5,808,663 A * 9/1998 Okaya H04N 7/142
348/14.1
D475,070 S * 5/2003 Ogura D16/202
D487,475 S * 3/2004 Uehara D16/202
D585,925 S * 2/2009 Kuo D16/202
D619,158 S * 7/2010 Frank D16/242
D661,718 S * 6/2012 Tang D16/202

* cited by examiner

Primary Examiner — Adir Aronovich

(74) *Attorney, Agent, or Firm* — Barnes & Thornburg LLP;
Mark J. Nahnsen

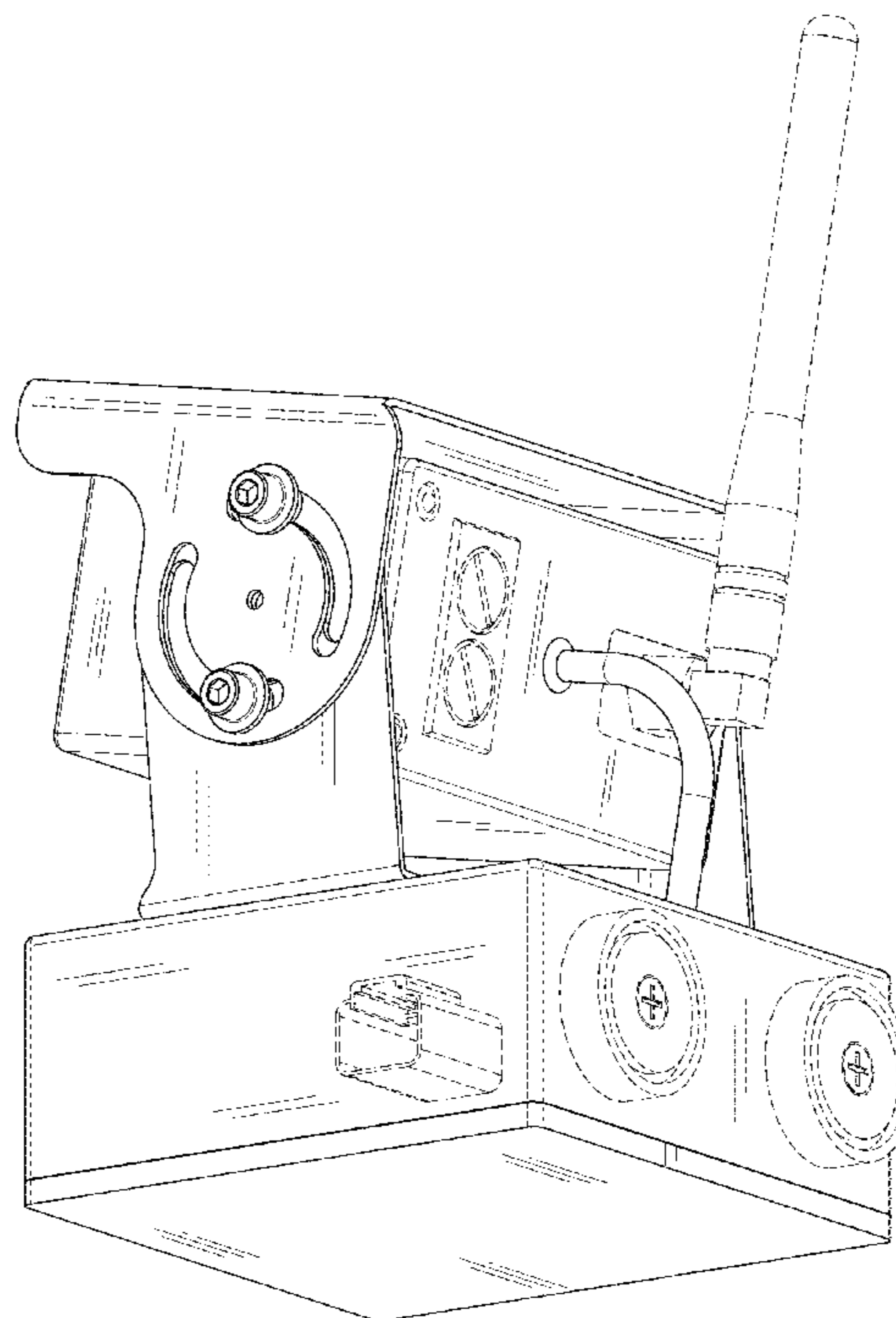
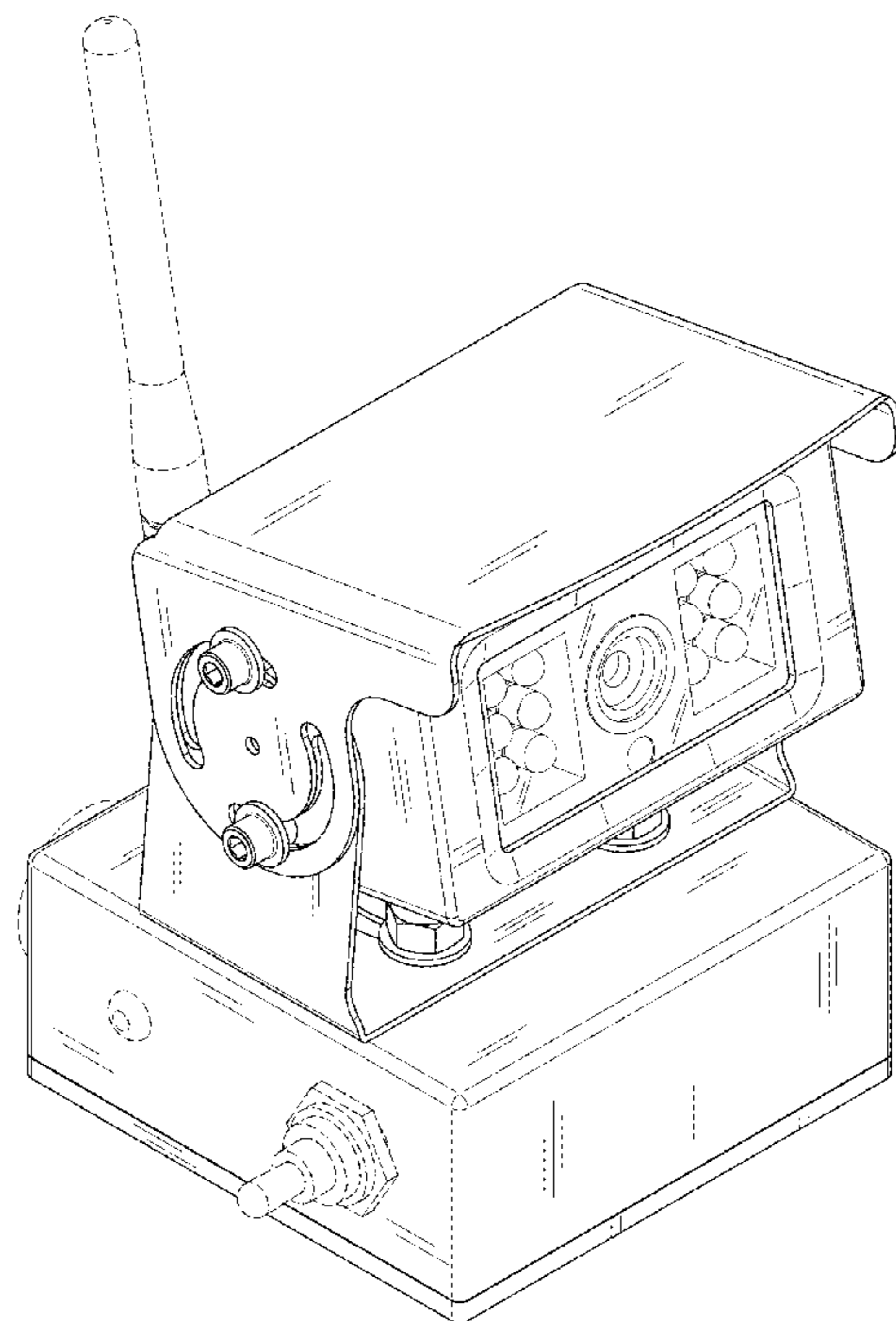
(57) **CLAIM**

The ornamental design for a back-up camera, as shown and described.

DESCRIPTION

FIG. 1 is a front, top and left side perspective view of a back-up camera showing my new design;
FIG. 2 is a rear, bottom and right side perspective view thereof;
FIG. 3 is a left side elevational view thereof;
FIG. 4 is a front elevational view thereof;
FIG. 5 is a right side elevational view thereof;
FIG. 6 is a rear elevational view thereof;
FIG. 7 is a top plan view thereof; and,
FIG. 8 is bottom plan view thereof.
The broken lines depict the portions of a camera in which the design is embodied and form no part of the claimed design.

1 Claim, 8 Drawing Sheets



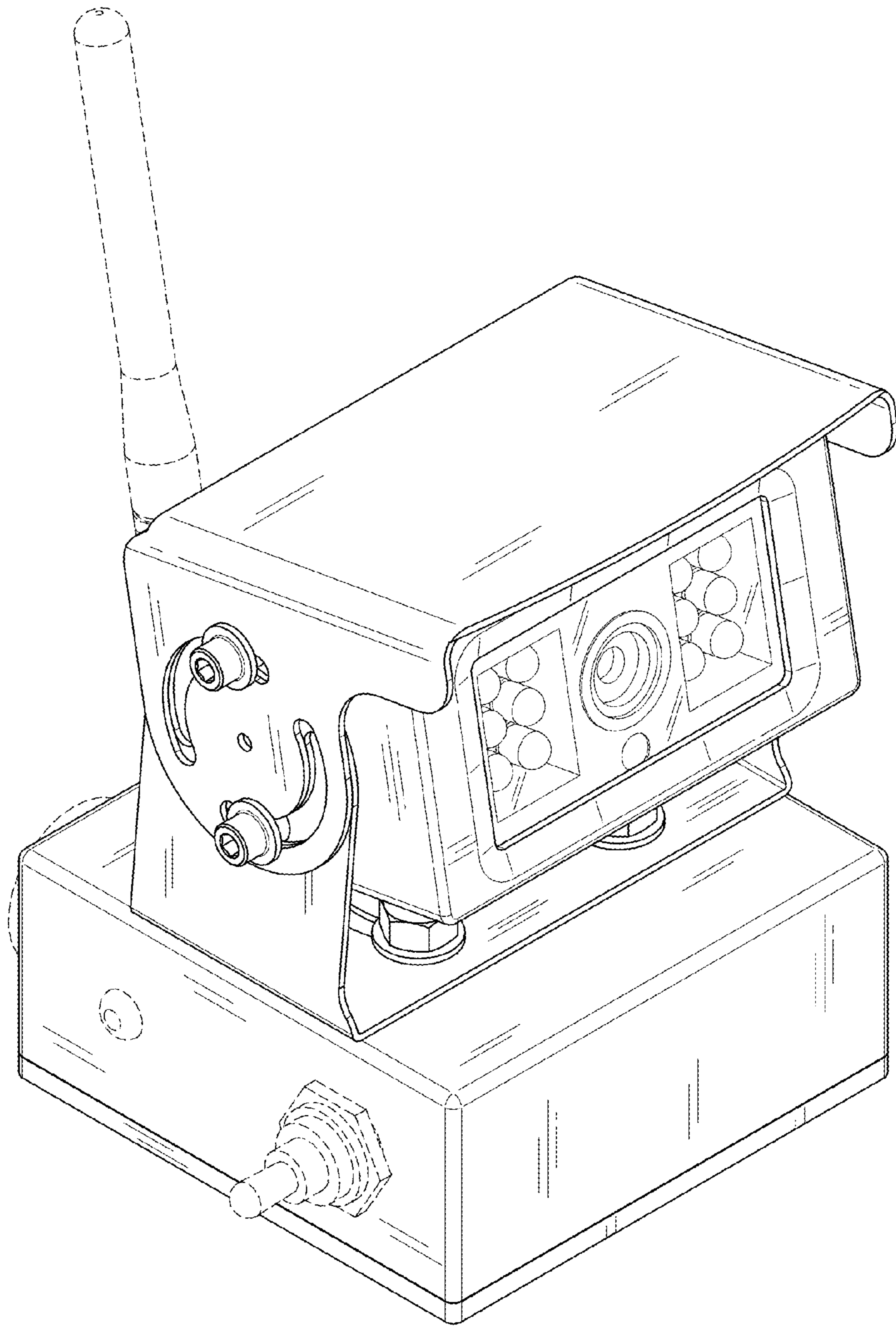


FIG. 1

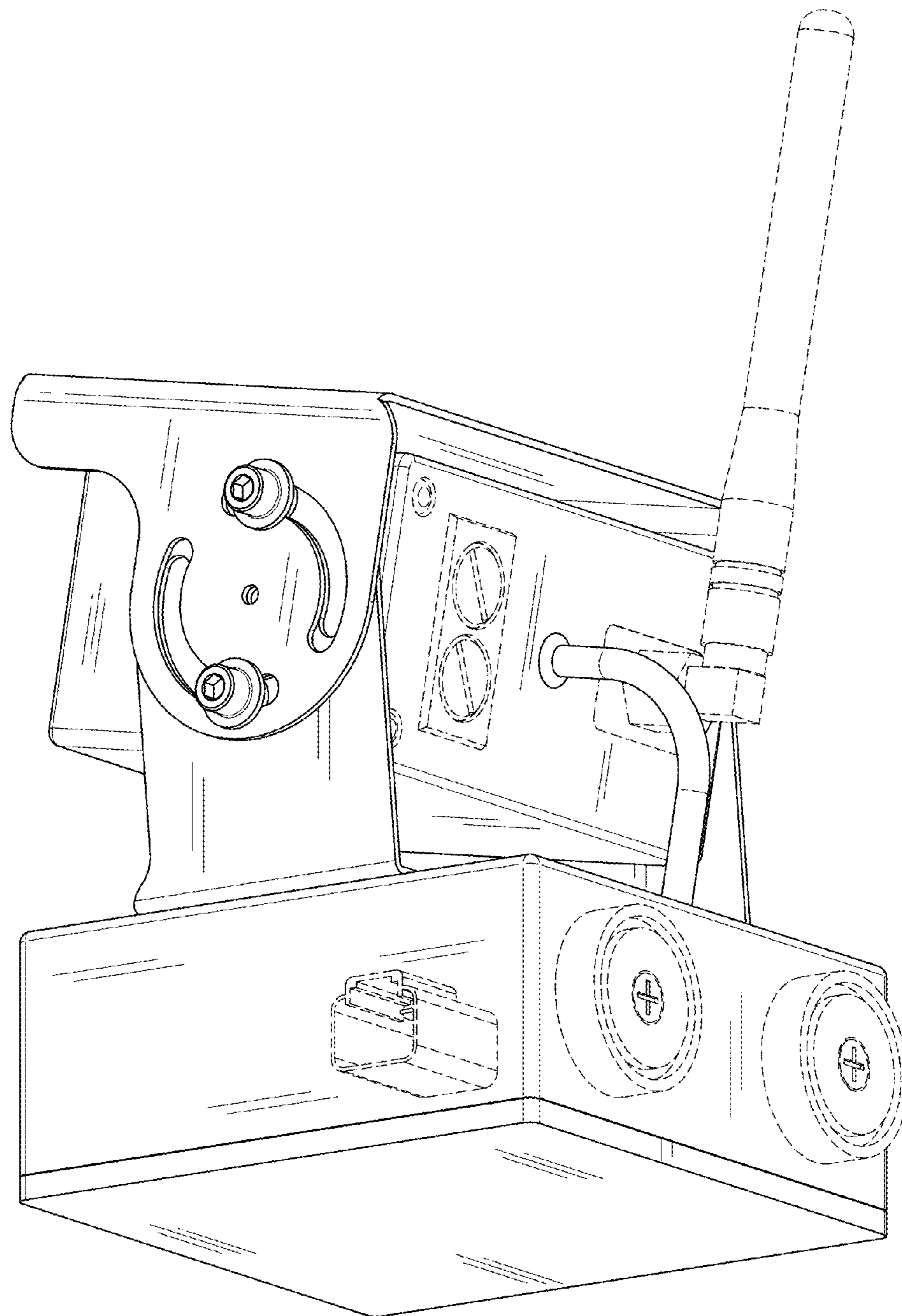


FIG. 2

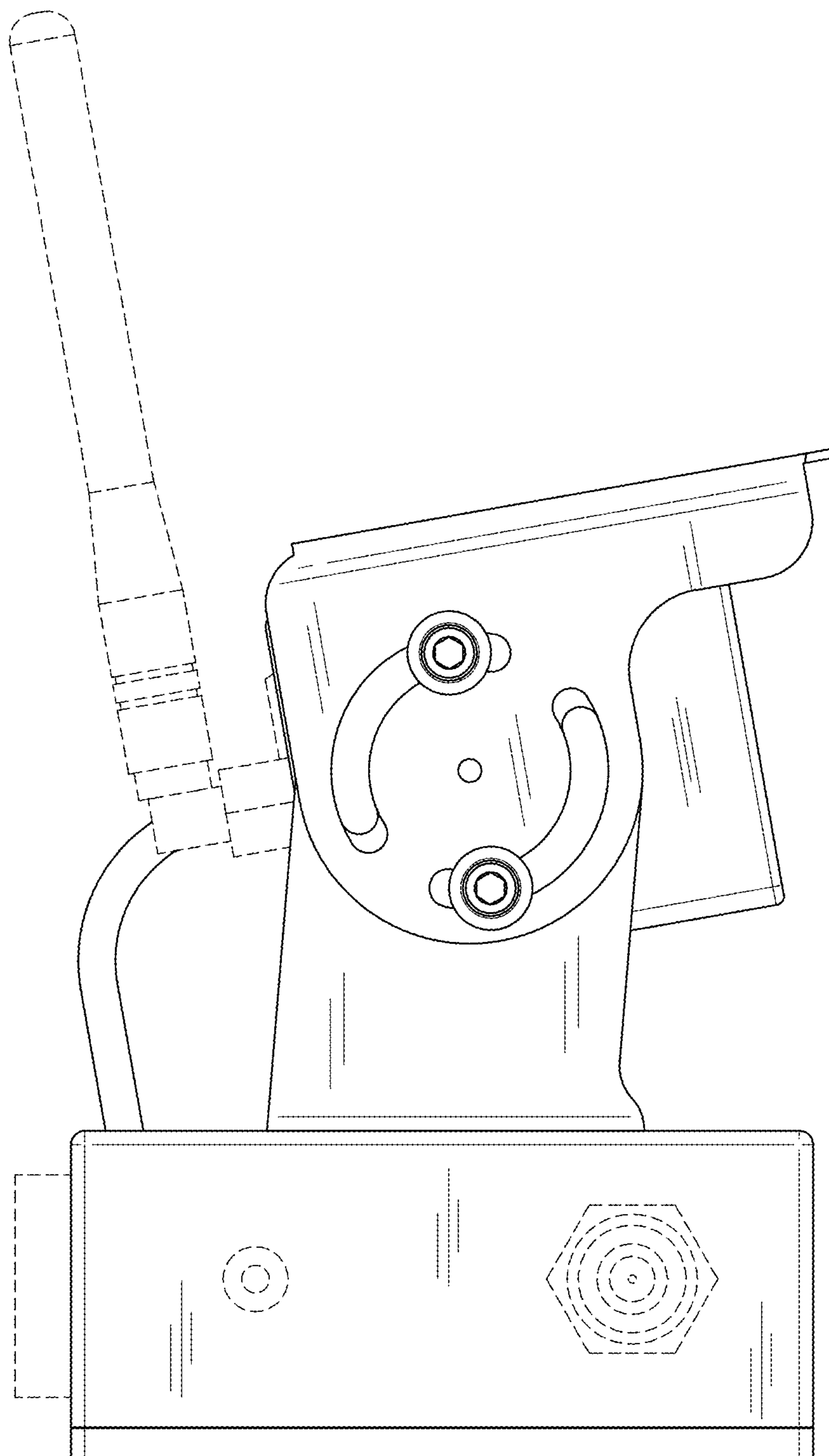


FIG. 3

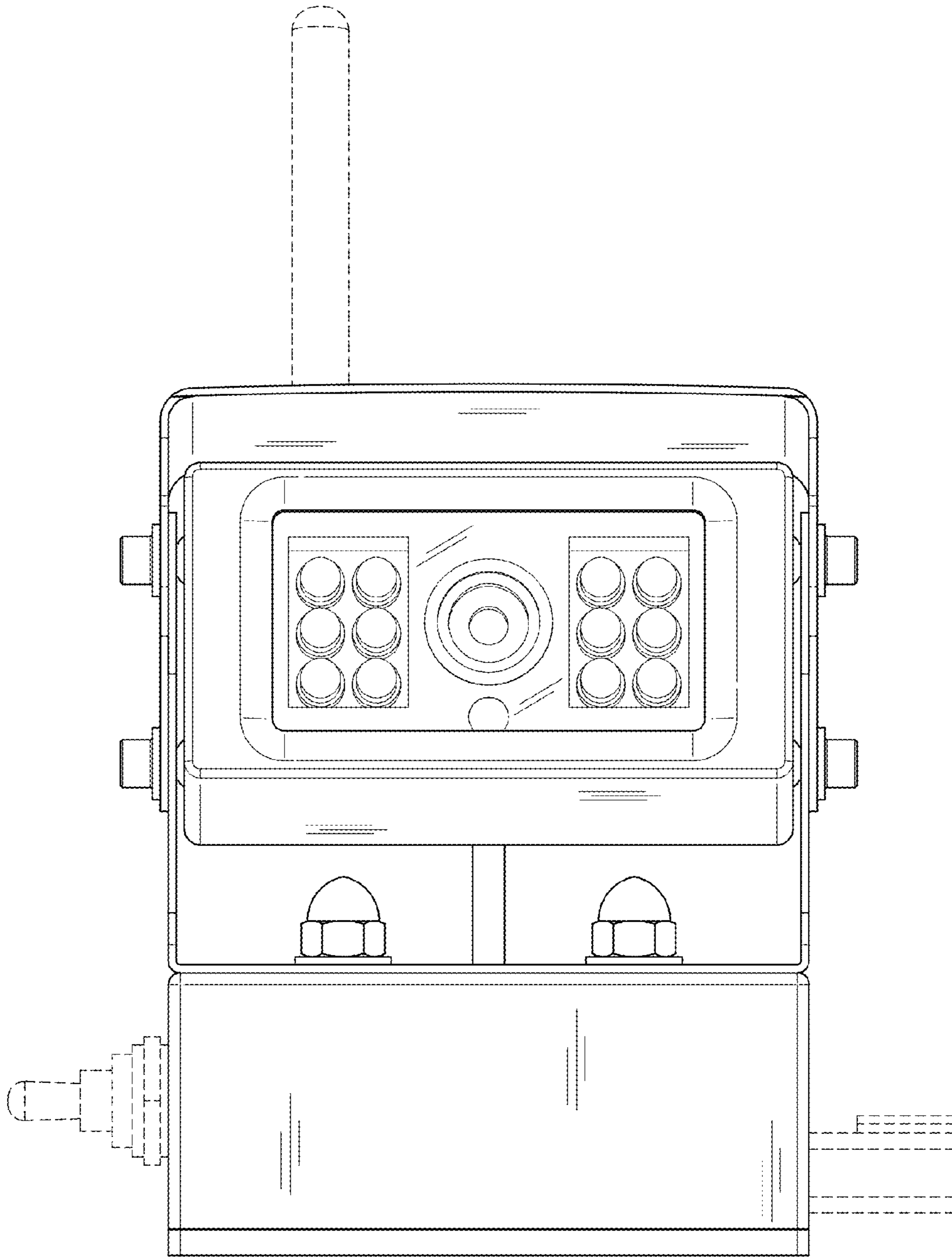


FIG. 4

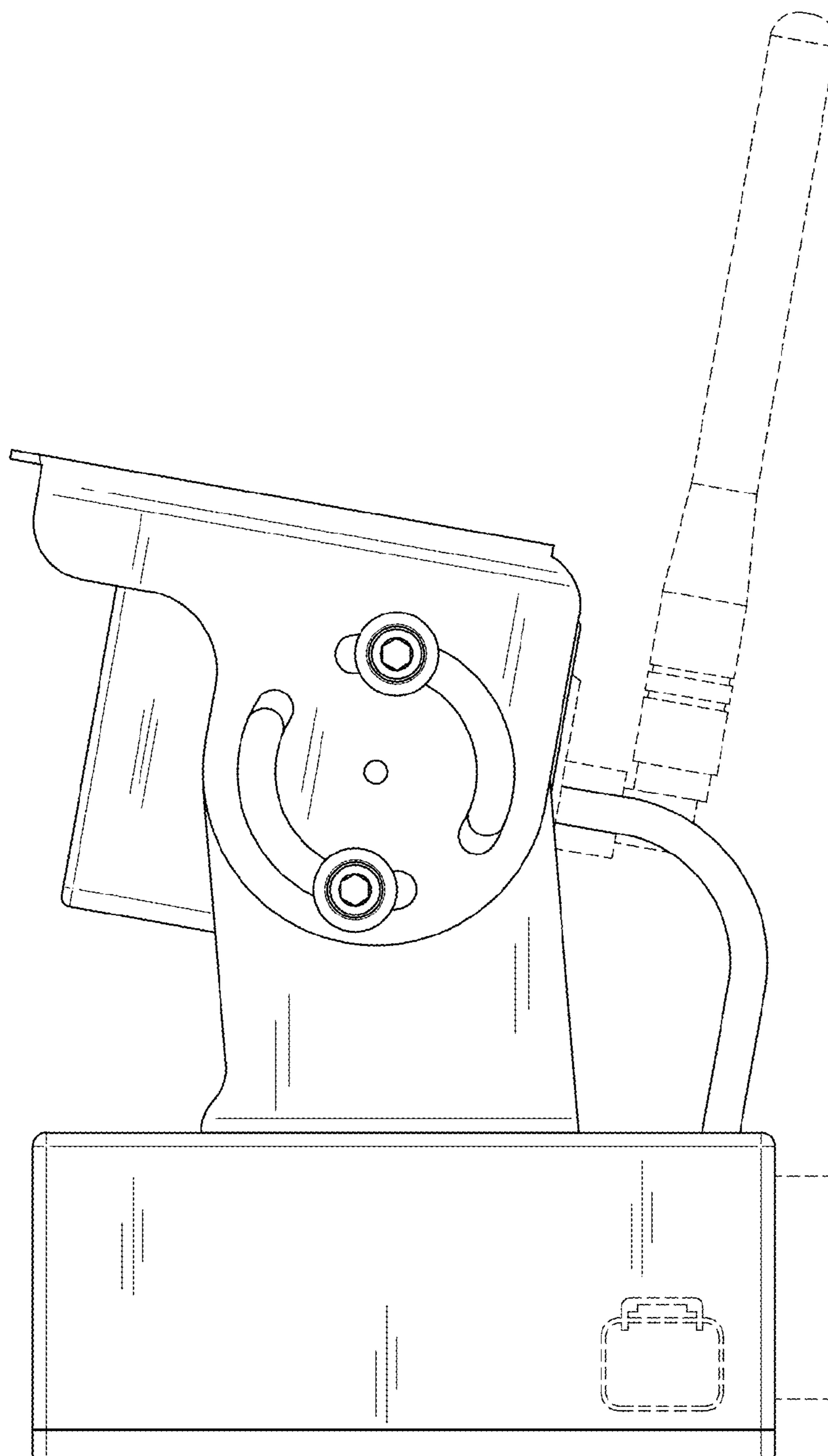


FIG. 5

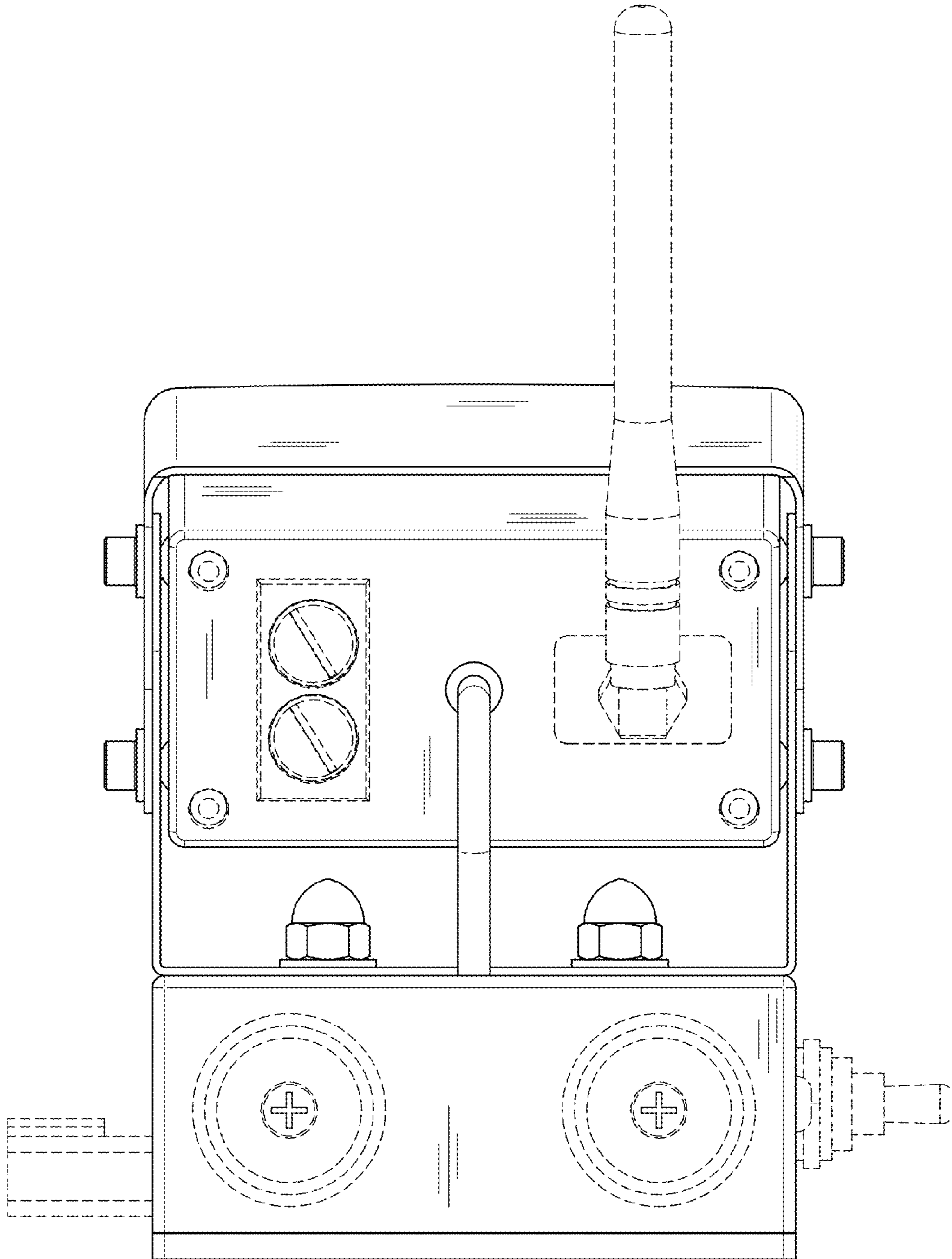


FIG. 6

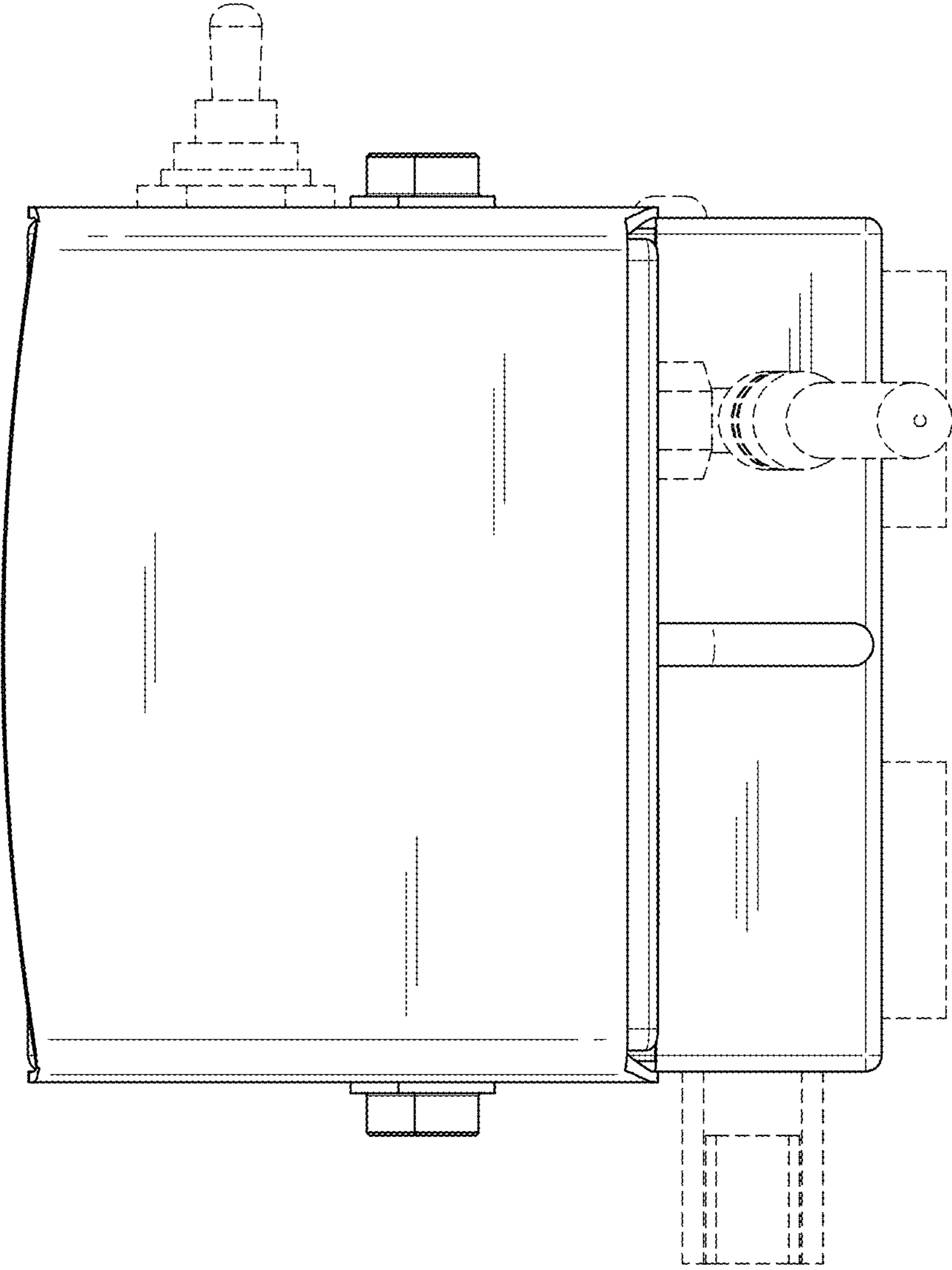


FIG. 7

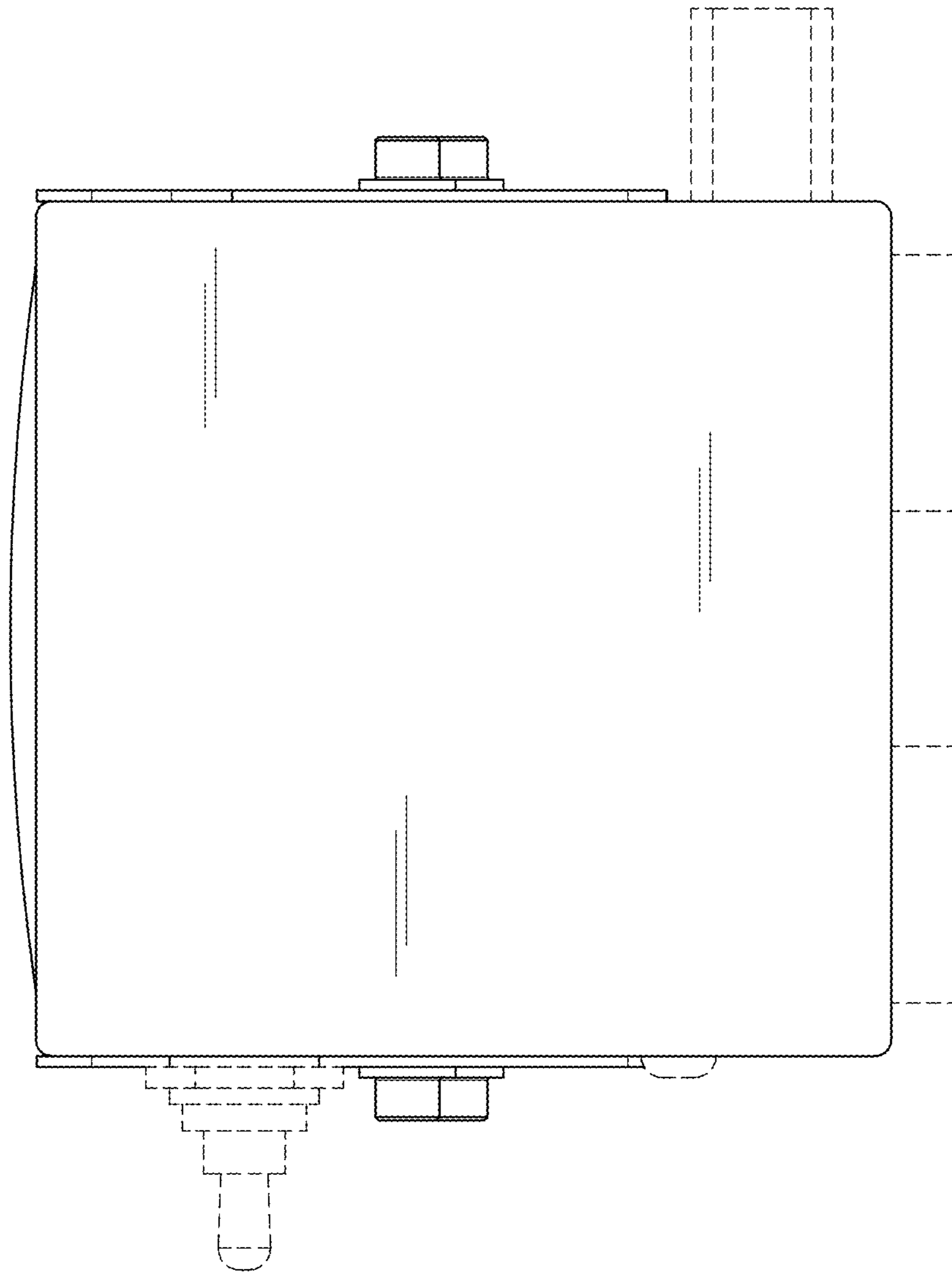


FIG. 8