

US00D753749S

(12) **United States Design Patent**
Zhu

(10) **Patent No.:** **US D753,749 S**
(45) **Date of Patent:** **** Apr. 12, 2016**

(54) **SPORT VIDEO CAMERA**

(71) Applicant: **HangZhou Hikvision Digital Technology Co., Ltd**, Hangzhou (CN)
(72) Inventor: **Weike Zhu**, Hangzhou (CN)
(73) Assignee: **HANGZHOU HIKVISION DIGITAL TECHNOLOGY CO., LTD**, Hangzhou (CN)
(**) Term: **14 Years**
(21) Appl. No.: **29/518,851**
(22) Filed: **Feb. 27, 2015**

(30) **Foreign Application Priority Data**

Aug. 29, 2014 (CN) 2014 3 0317325

(51) **LOC (10) Cl.** **16-01**

(52) **U.S. Cl.**
USPC **D16/202**

(58) **Field of Classification Search**
USPC D16/200, 202–206, 208, 218, 219;
348/373–376; 396/448, 535, 539–541
CPC G03B 15/03; G03B 17/02; G03B 17/04;
G03B 17/56; G03B 19/04; H04N 5/2251;
H04N 5/2252; H04N 5/2253; H04N 5/2254;
H04N 2101/00

See application file for complete search history.

(56) **References Cited**

U.S. PATENT DOCUMENTS

D407,098	S	*	3/1999	Goto	D16/200
6,650,838	B2	*	11/2003	Tanaka	G03B 17/02 206/703
D502,479	S	*	3/2005	Nishizawa	D16/202
D502,480	S	*	3/2005	Nagayama	D16/202
D502,484	S	*	3/2005	Nagayama	D16/202
D502,485	S	*	3/2005	Nagayama	D16/202
7,646,426	B2	*	1/2010	Saiki	G06F 1/1626 348/373
D639,838	S	*	6/2011	Imai	D16/202
D661,330	S	*	6/2012	Yu	D16/202
D665,003	S	*	8/2012	Sakai	D16/202
8,488,008	B2	*	7/2013	Kaneko	G03B 5/00 348/208.3
D706,851	S	*	6/2014	Sakai	D16/202
D742,952	S	*	11/2015	Nakajima	D16/202

* cited by examiner

Primary Examiner — Adir Aronovich
Assistant Examiner — Ramzi Almatrahi
(74) *Attorney, Agent, or Firm* — Pearl Cohen Zedek Latzer Baratz LLP

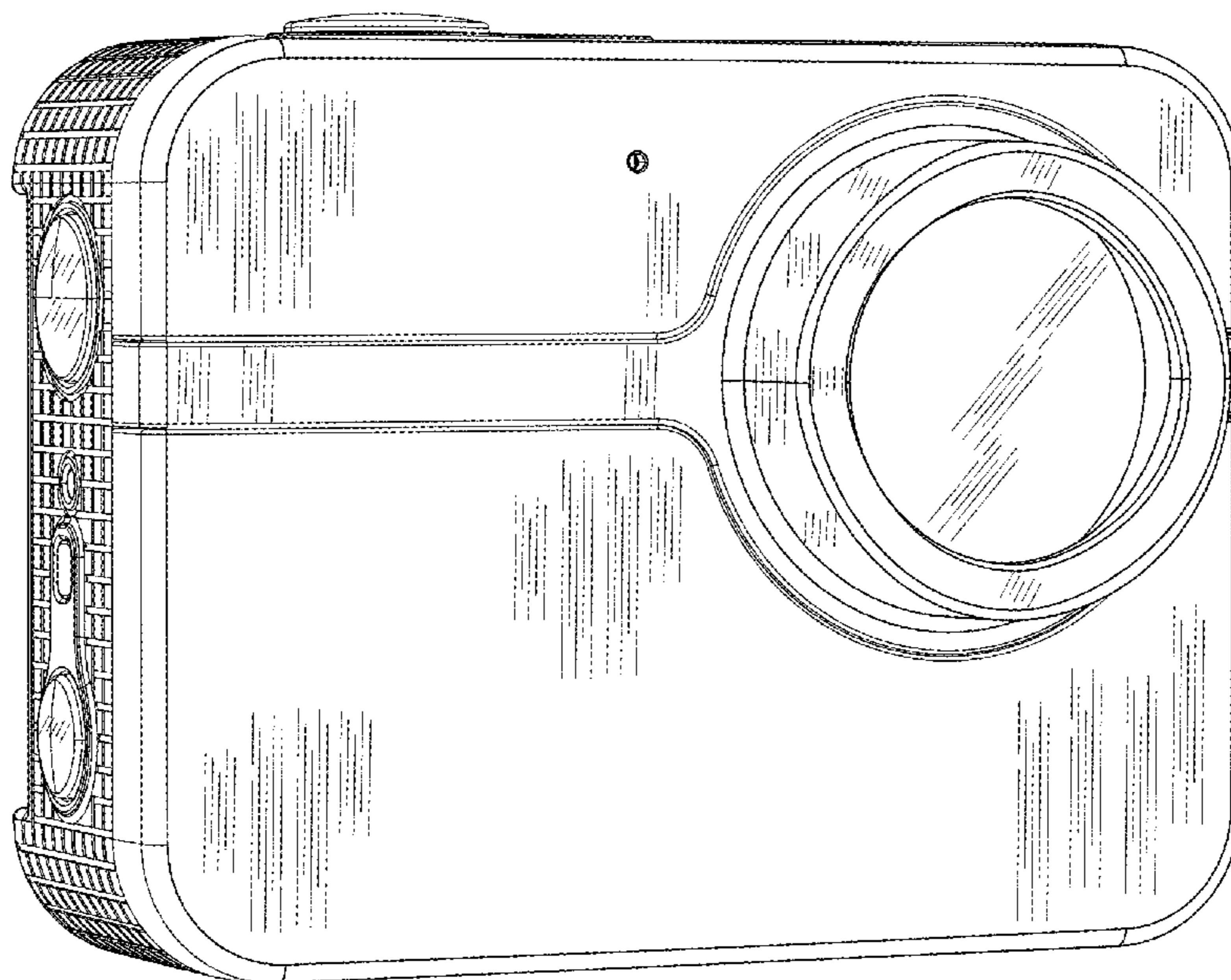
(57) **CLAIM**

The ornamental design for a sport video camera, as shown and described.

DESCRIPTION

FIG. 1 is a front elevational view of a sport video camera showing my new design;
FIG. 2 is a back elevational view thereof;
FIG. 3 is a left side elevational view thereof;
FIG. 4 is a top plan view thereof;
FIG. 5 is right side elevational view thereof;
FIG. 6 is a bottom plan view thereof; and,
FIG. 7 is a front and left side perspective view thereof.

1 Claim, 7 Drawing Sheets



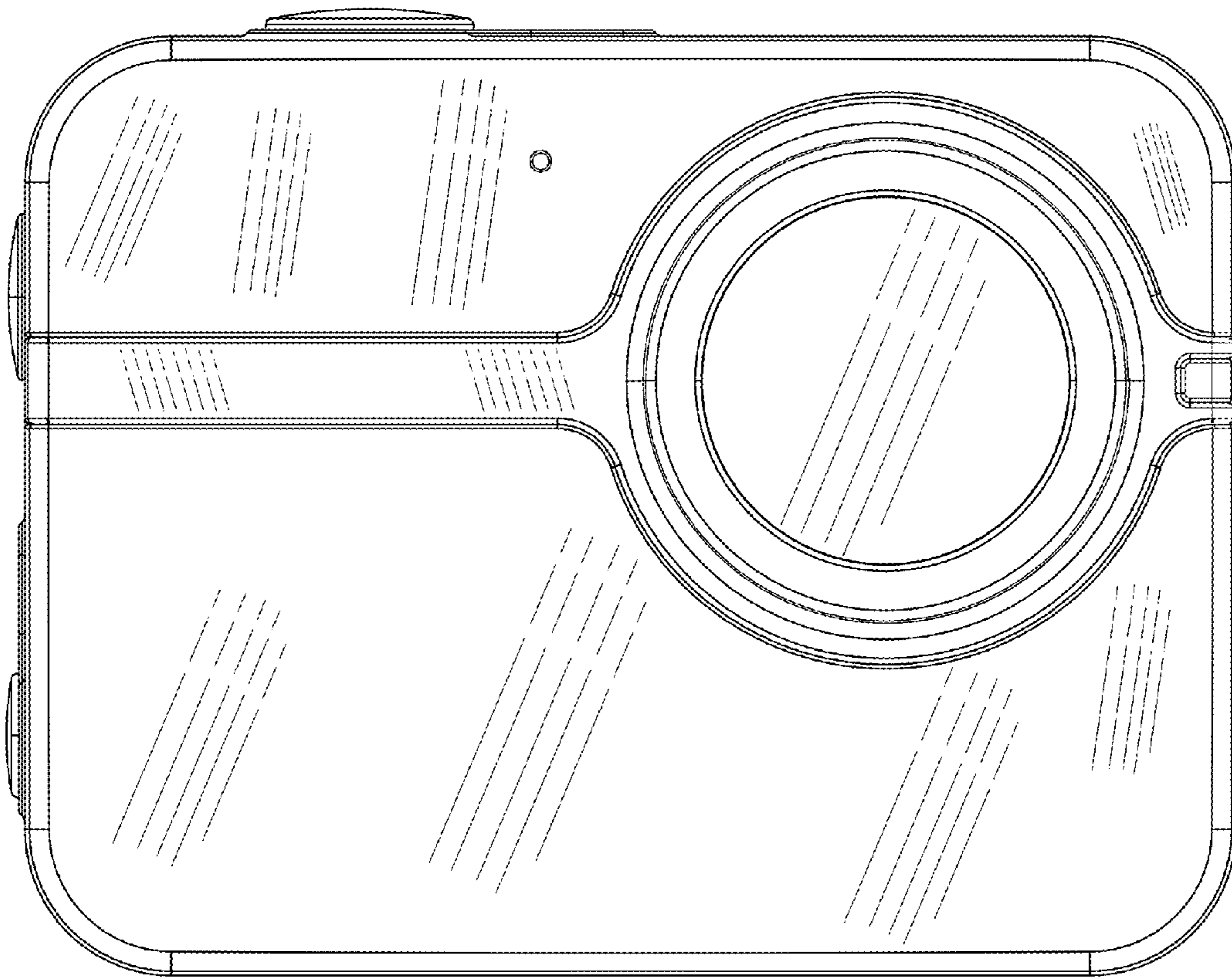


FIGURE 1

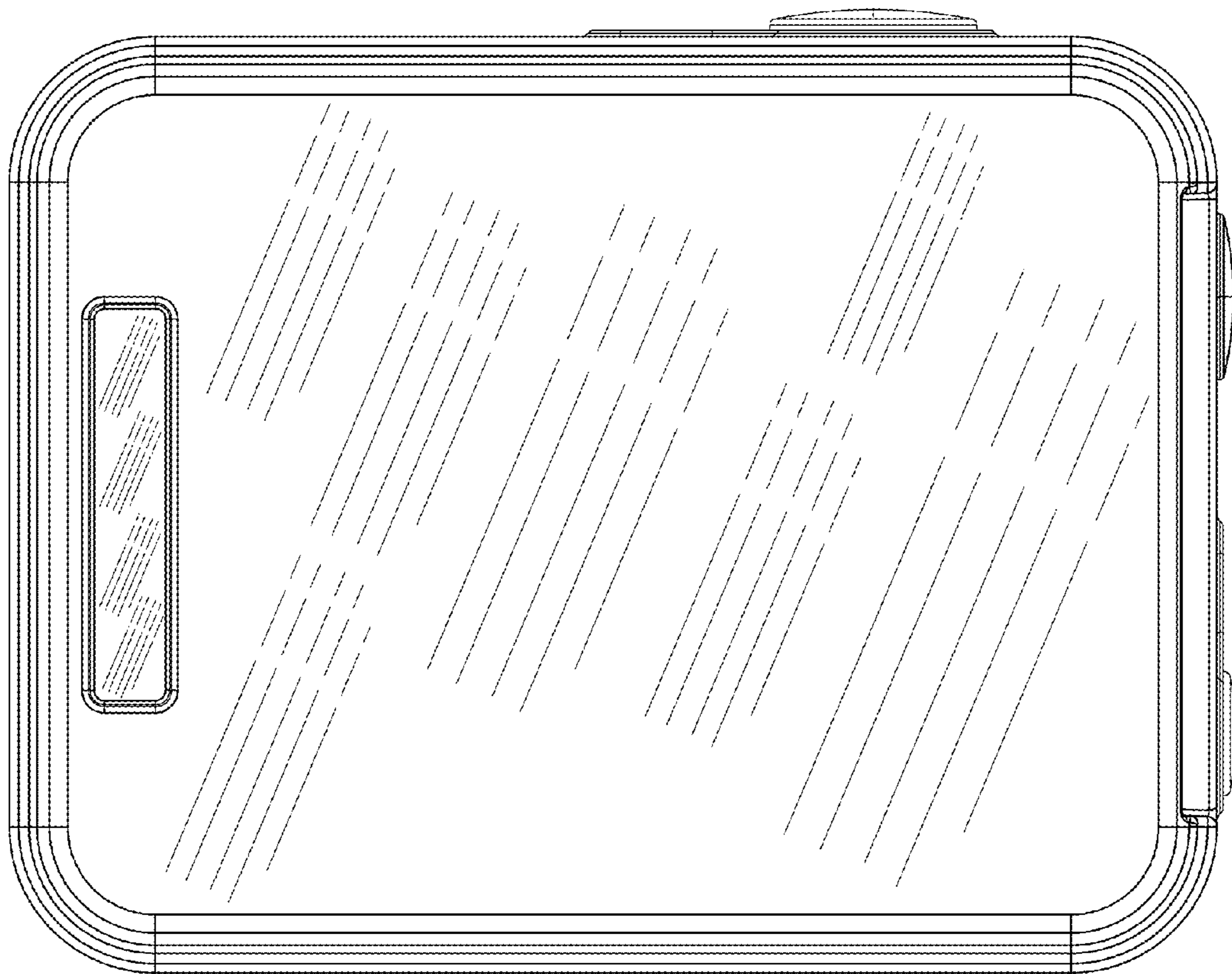


FIGURE 2

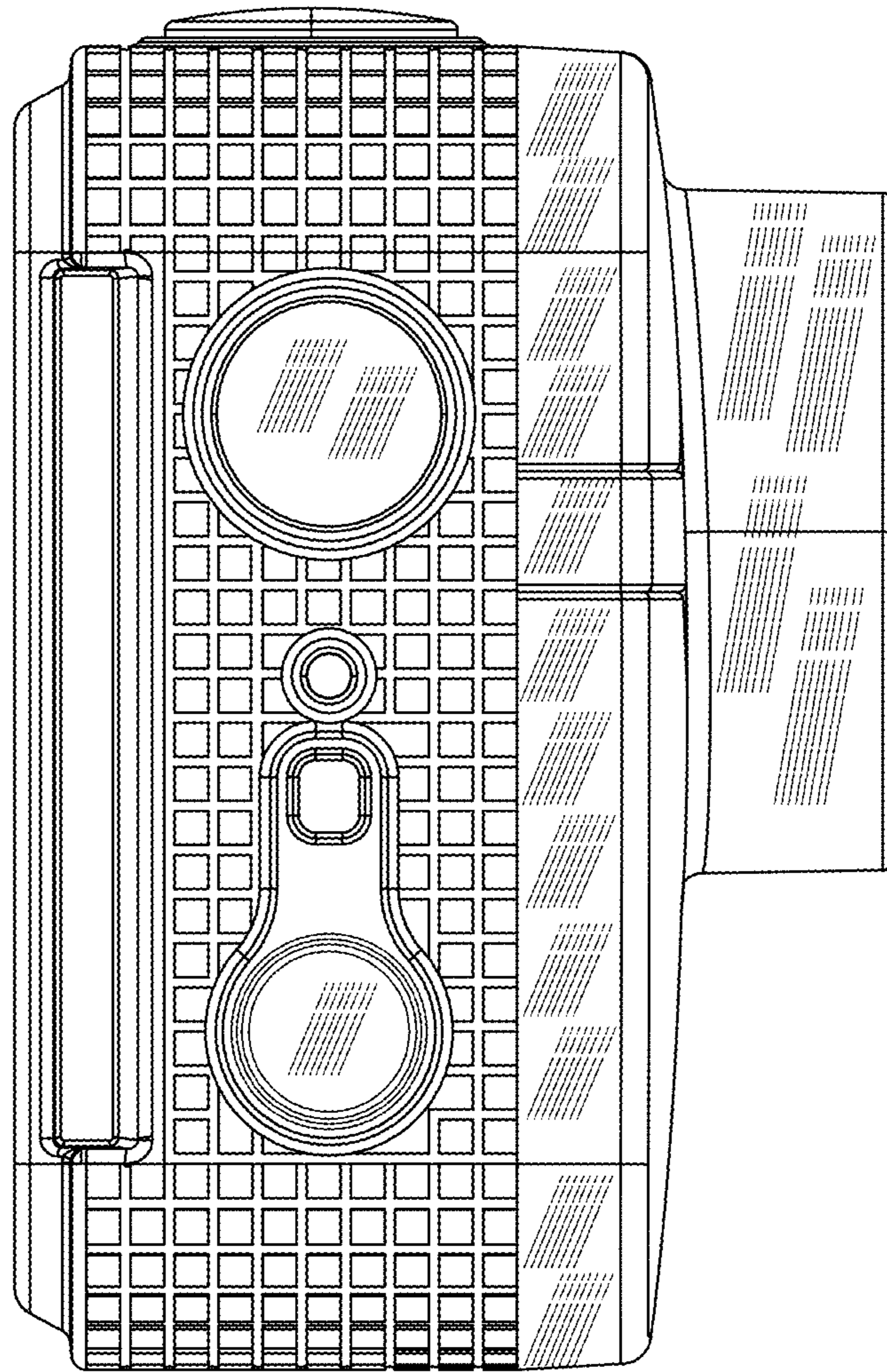


FIGURE 3

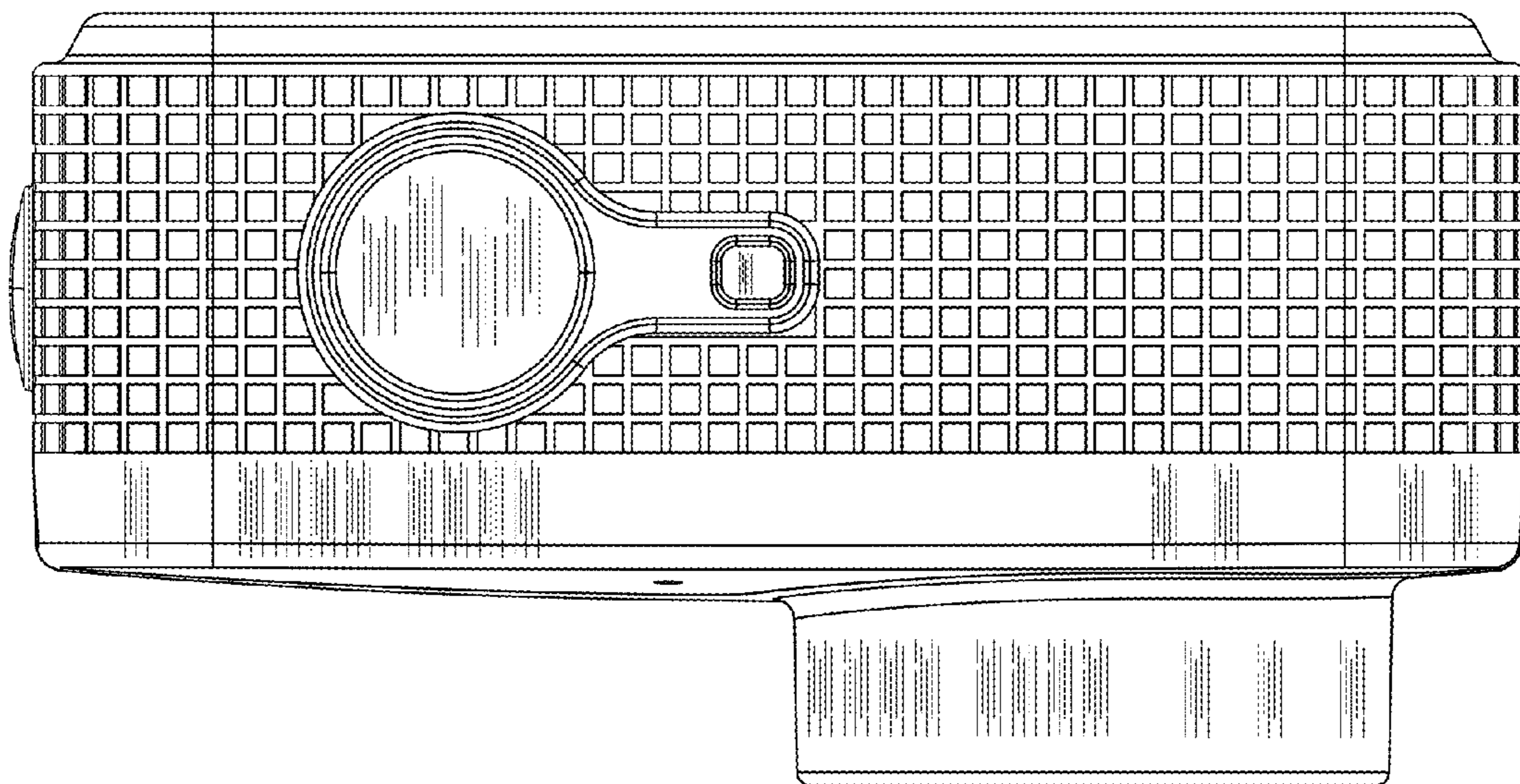


FIGURE 4

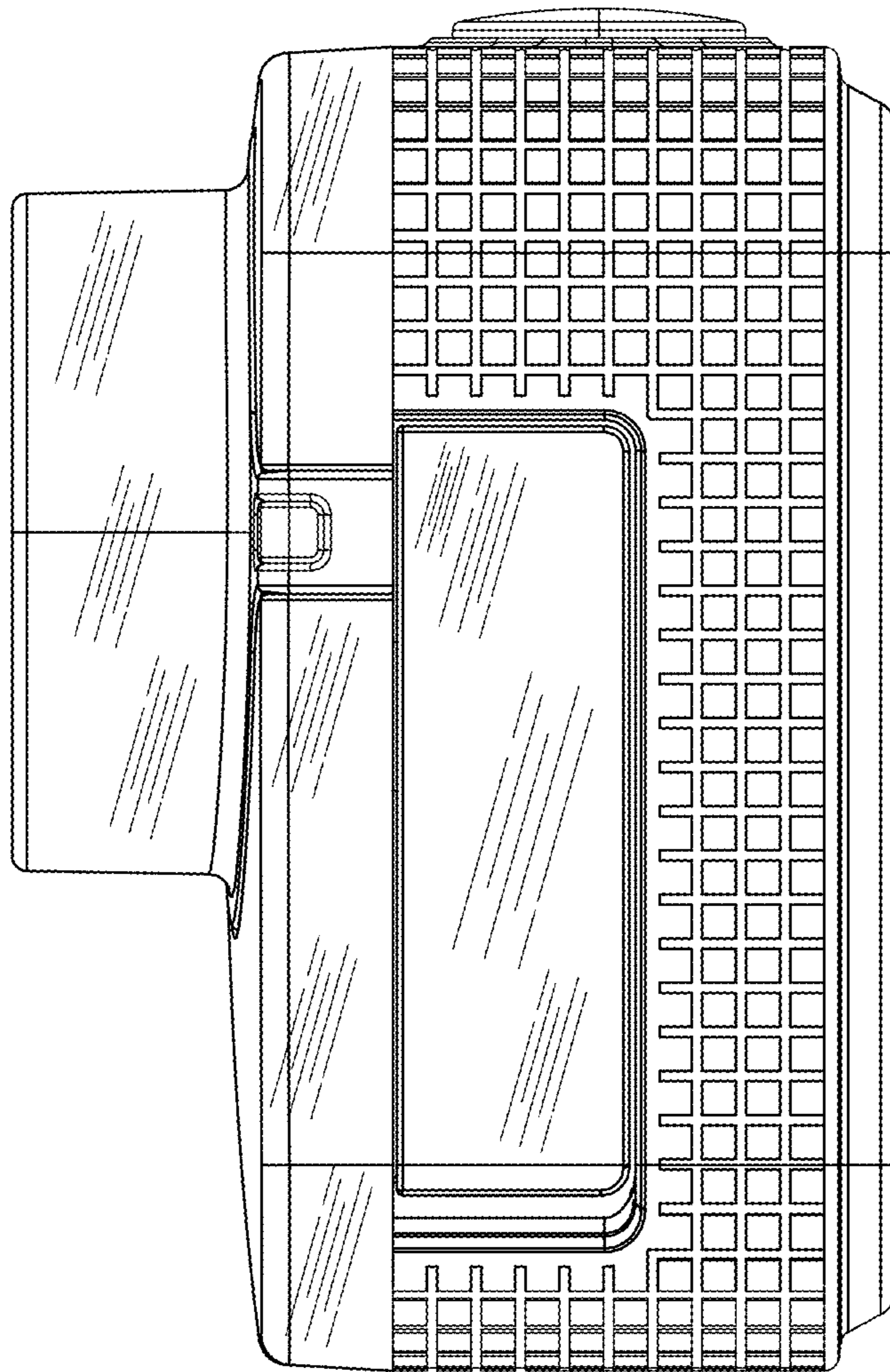


FIGURE 5

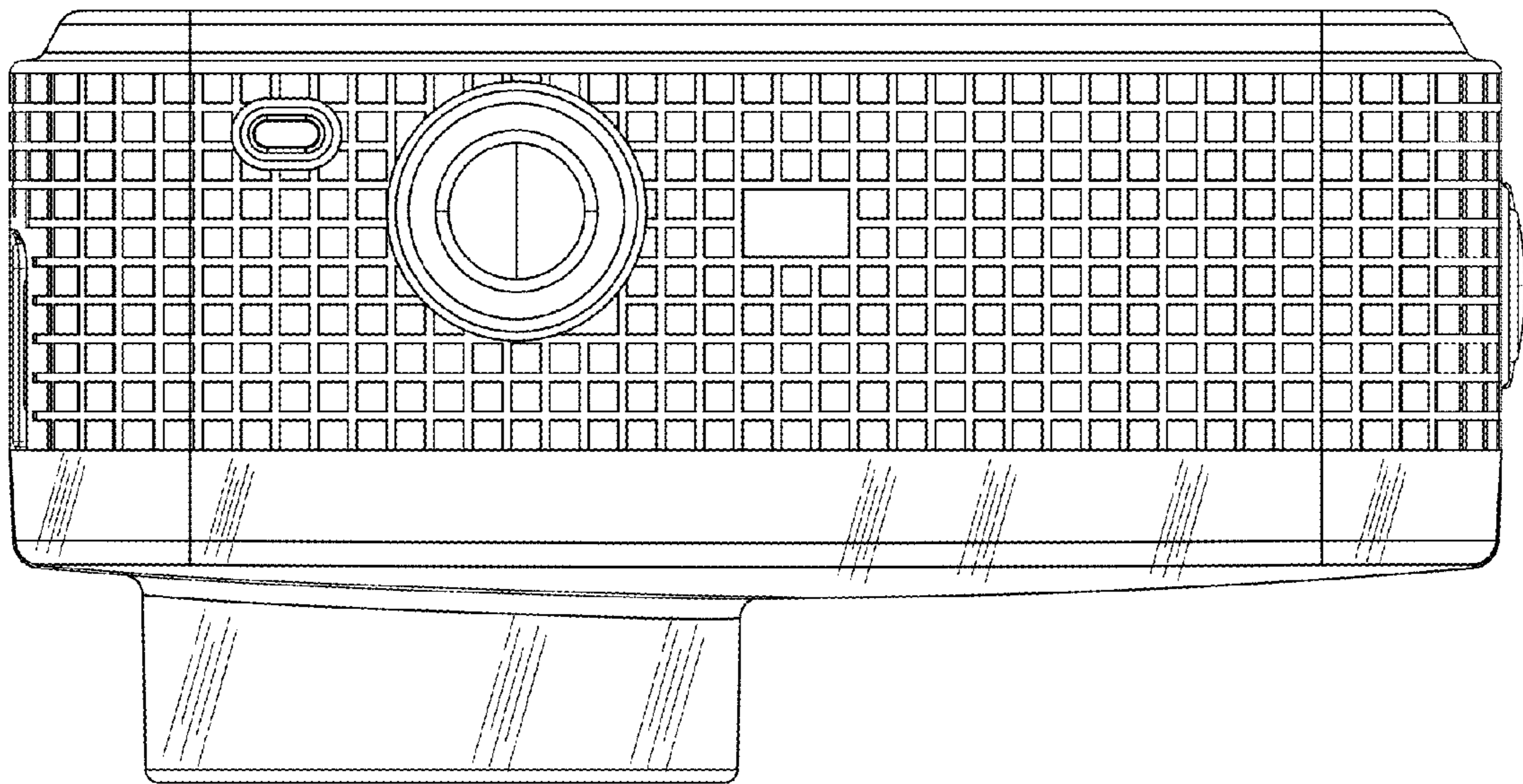


FIGURE 6

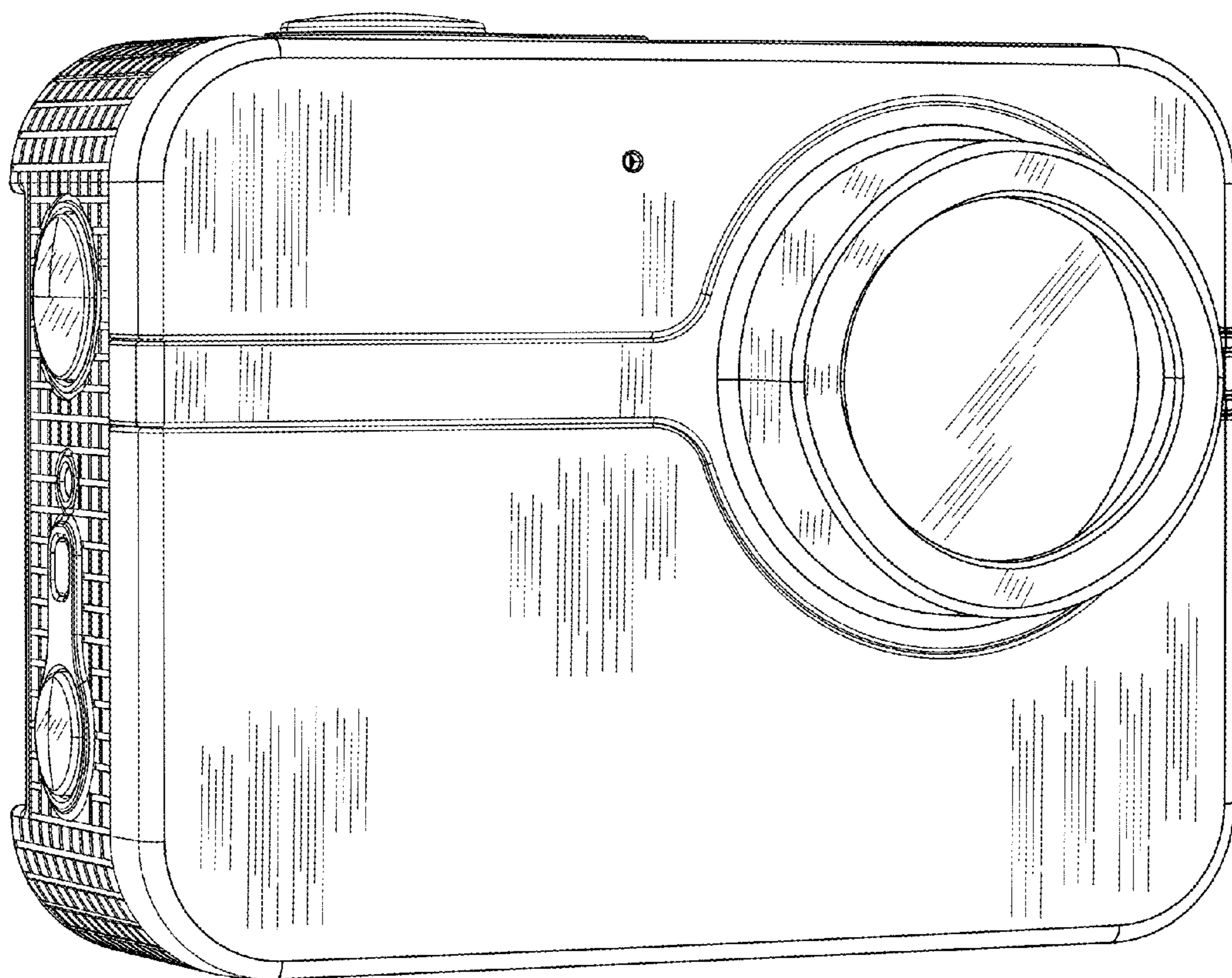


FIGURE 7