



US00D753748S

(12) **United States Design Patent**  
**Schneider et al.**

(10) **Patent No.:** **US D753,748 S**  
(45) **Date of Patent:** **\*\* Apr. 12, 2016**

(54) **BLOCK PIECE FOR OPTICAL LENSES**

(71) Applicant: **Schneider GmbH & Co. KG**,  
Fronhausen (DE)

(72) Inventors: **Gunter Schneider**, Marburg (DE);  
**Klaus Hofmann**, Wehrheim (DE);  
**Helwig Buchenauer**,  
Dautphetal-Buchenau (DE)

(73) Assignee: **Schneider GmbH Co. KG**, Fronhausen  
(DE)

(\*\*) Term: **14 Years**

(21) Appl. No.: **29/499,035**

(22) Filed: **Aug. 11, 2014**

(51) **LOC (10) Cl.** ..... **16-06**

(52) **U.S. Cl.**  
USPC ..... **D16/136; D15/140**

(58) **Field of Classification Search**

USPC ..... D8/71, 350, 352, 354; D15/122, 124,  
D15/126, 140, 143; D16/100, 130, 136;  
D24/172; 33/507; 264/2.7; 359/611,  
359/813; 451/42, 255, 277, 285, 286, 364,  
451/384, 390, 398, 405, 460  
CPC ..... B29D 11/00942; B24B 13/005; B24B  
13/0057

See application file for complete search history.

(56) **References Cited**

**U.S. PATENT DOCUMENTS**

D255,771 S \* 7/1980 Cruz ..... D15/140  
4,358,913 A \* 11/1982 Sorrells ..... B24B 13/0057  
451/390  
4,382,351 A \* 5/1983 Sorrells ..... B24B 13/0057  
451/384  
D269,878 S \* 7/1983 Noble, Jr. .... D15/124  
4,459,784 A \* 7/1984 Hernandez ..... B24B 13/005  
419/28  
4,714,232 A \* 12/1987 Blot ..... B24B 13/0052  
164/332  
5,177,907 A \* 1/1993 Rothe ..... B24B 13/005  
451/390

5,669,807 A \* 9/1997 Moreau ..... B24B 13/005  
451/42  
6,074,290 A \* 6/2000 Ko ..... B24B 13/0057  
451/255  
7,066,797 B2 \* 6/2006 Volken ..... B24B 13/005  
451/390  
D646,542 S \* 10/2011 Wackwitz ..... D8/70  
D673,598 S \* 1/2013 Schneider ..... D16/130  
2005/0250430 A1 \* 11/2005 Volken ..... B24B 13/005  
451/390  
2011/0033615 A1 \* 2/2011 Breme ..... B24B 13/0057  
427/164  
2011/0124272 A1 \* 5/2011 Felten ..... B24B 13/0057  
451/42

(Continued)

**OTHER PUBLICATIONS**

<http://www.schneider-om.com/products/ophthalmics/generating/hsc-sprint.html> Retrieved Dec. 22, 2015.\*

(Continued)

*Primary Examiner* — Susan Bennett Hattan

*Assistant Examiner* — Leanne Was

(74) *Attorney, Agent, or Firm* — Andrus Intellectual  
Property Law, LLP

(57) **CLAIM**

The ornamental design for a block piece for optical lenses, as shown and described.

**DESCRIPTION**

FIG. 1 is a top perspective view of a block piece for optical lenses;

FIG. 2 is a bottom perspective view of the block piece for optical lenses;

FIG. 3 is a front elevational view of the block piece for optical lenses;

FIG. 4 is a rear elevational view of the block piece for optical lenses;

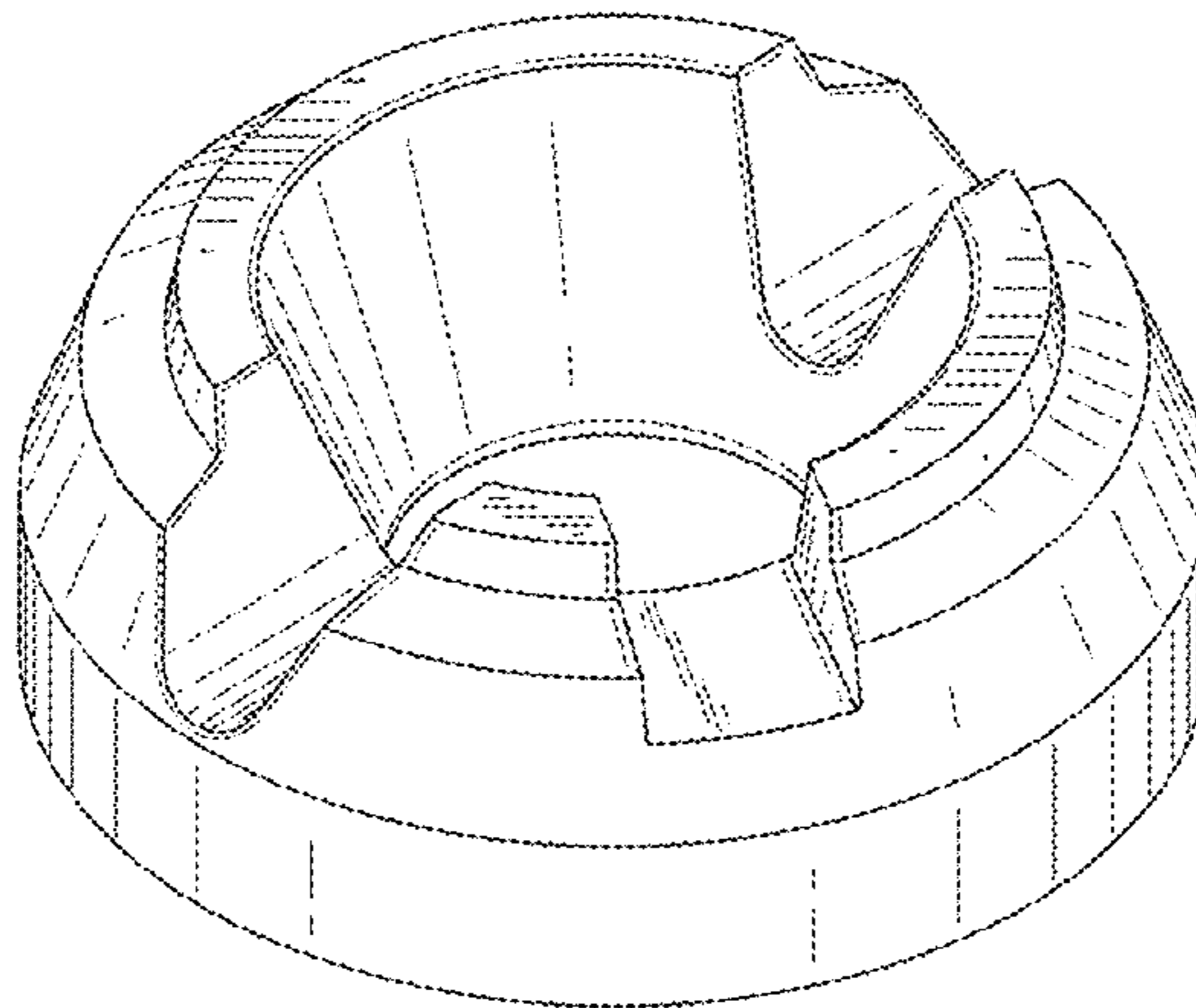
FIG. 5 is a top view of the block piece for optical lenses;

FIG. 6 is a bottom view of the block piece for optical lenses;

FIG. 7 is a left side view of the block piece for optical lenses; and,

FIG. 8 is a right side view of the block piece for optical lenses.

**1 Claim, 5 Drawing Sheets**



(56)

**References Cited**

U.S. PATENT DOCUMENTS

2013/0303060 A1\* 11/2013 Schneider ..... B24B 13/005  
451/390  
2014/0329442 A1\* 11/2014 Savoie ..... B24B 13/005  
451/42  
2014/0329443 A1\* 11/2014 Savoie ..... B24B 13/005  
451/43

OTHER PUBLICATIONS

<http://www.teknolens.com/galeria.html> Retrieved Dec. 22, 2015.\*  
<http://precisiontooltech.com/store/products/loh-block-with-inserts-to-pin-polish/> Retrieved Dec. 22, 2015.\*  
<http://precisiontooltech.com/store/products/loh-standard-blocks-open-center/> Retrieved Dec. 22, 2015.\*

\* cited by examiner

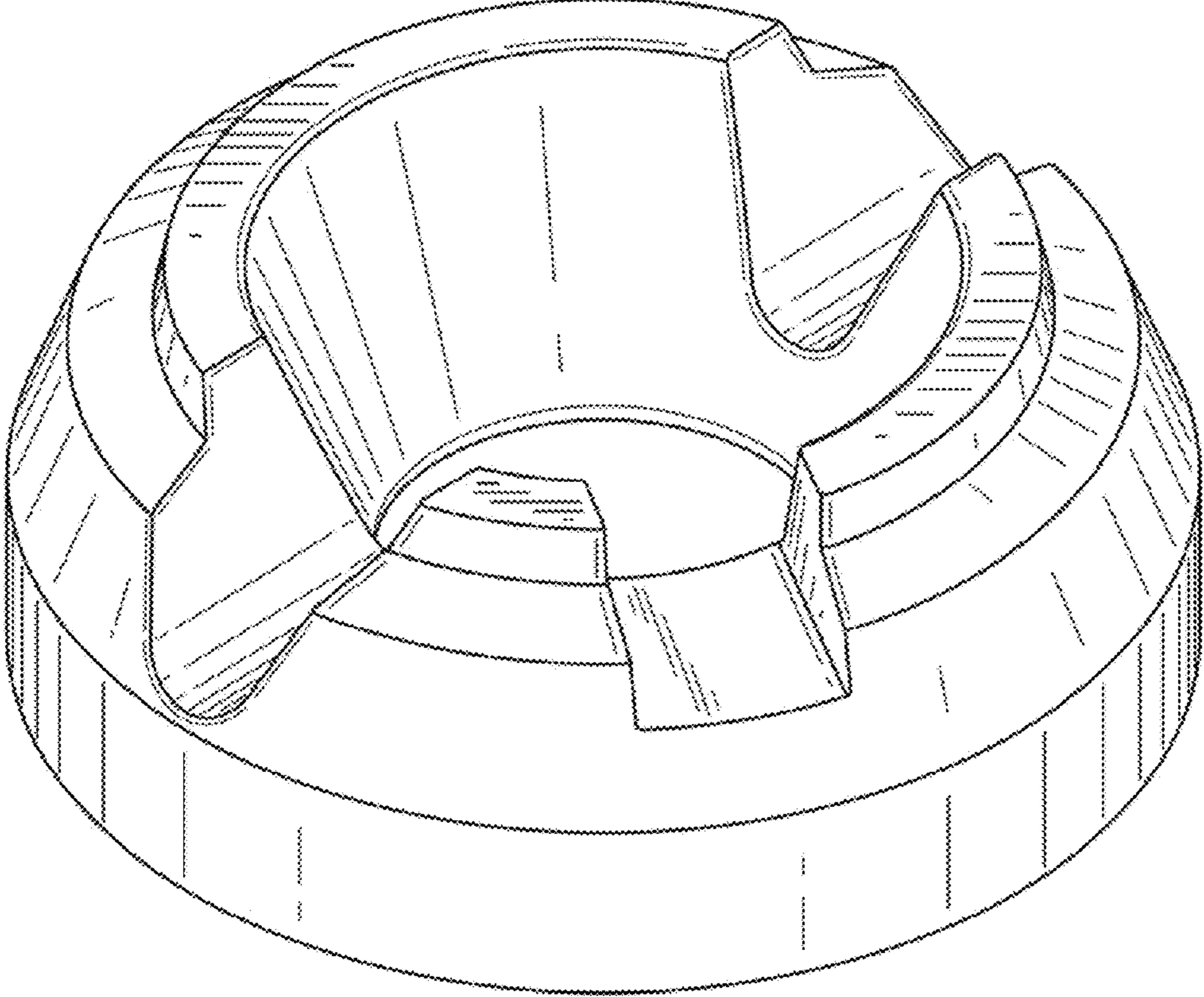


FIG. 1

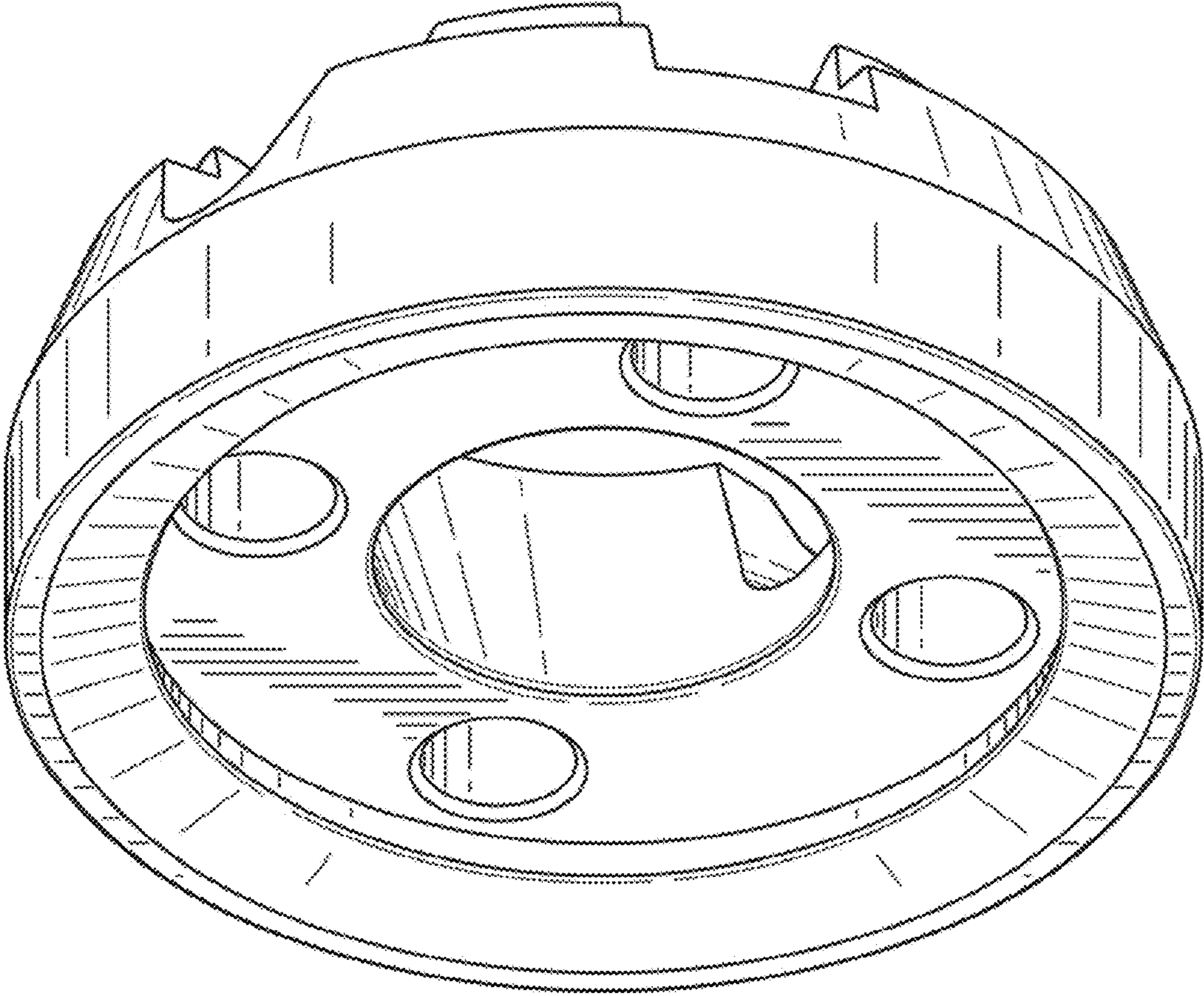
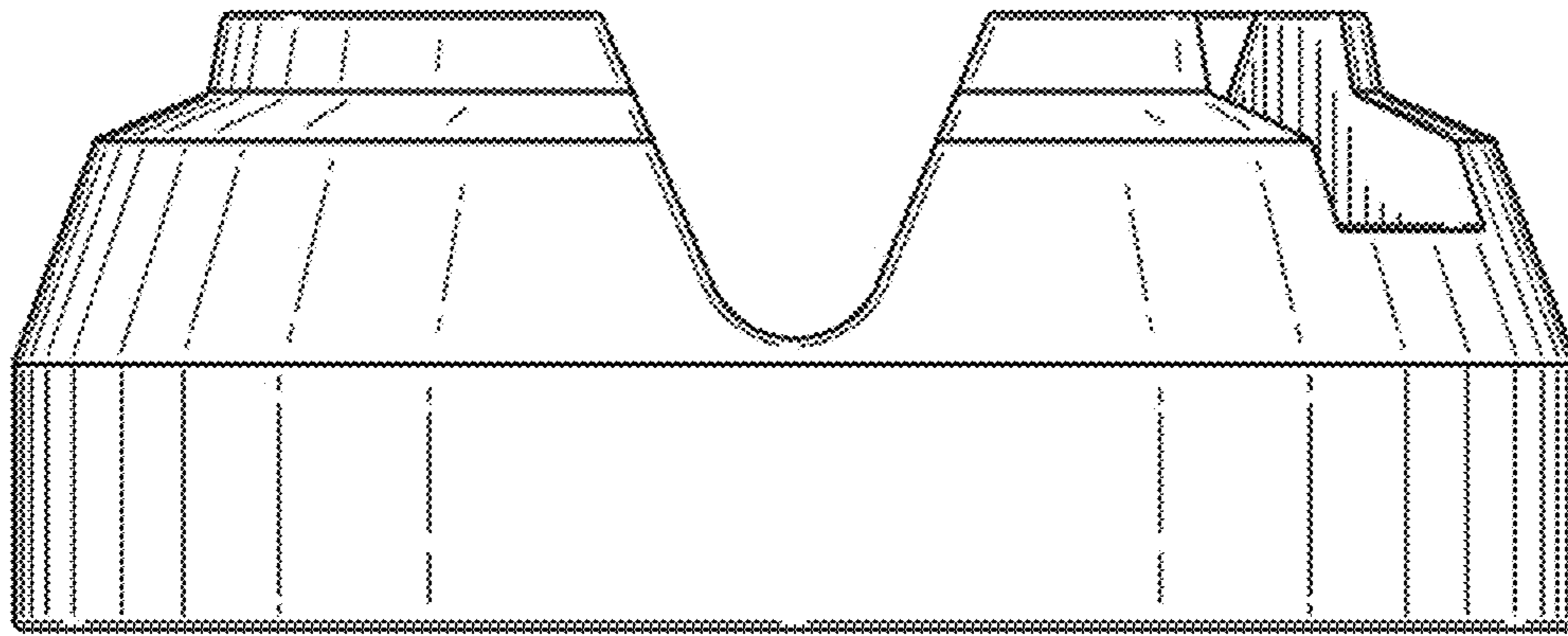
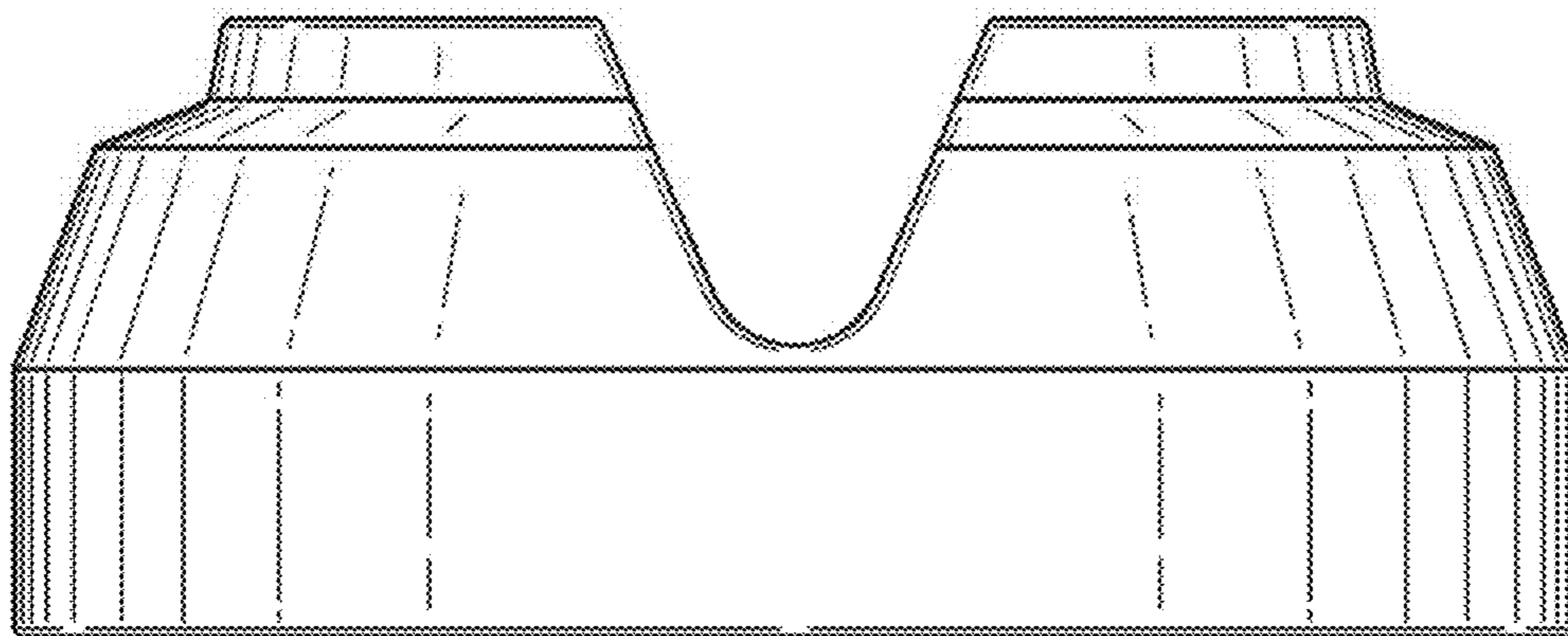


FIG. 2



**FIG. 3**



**FIG. 4**

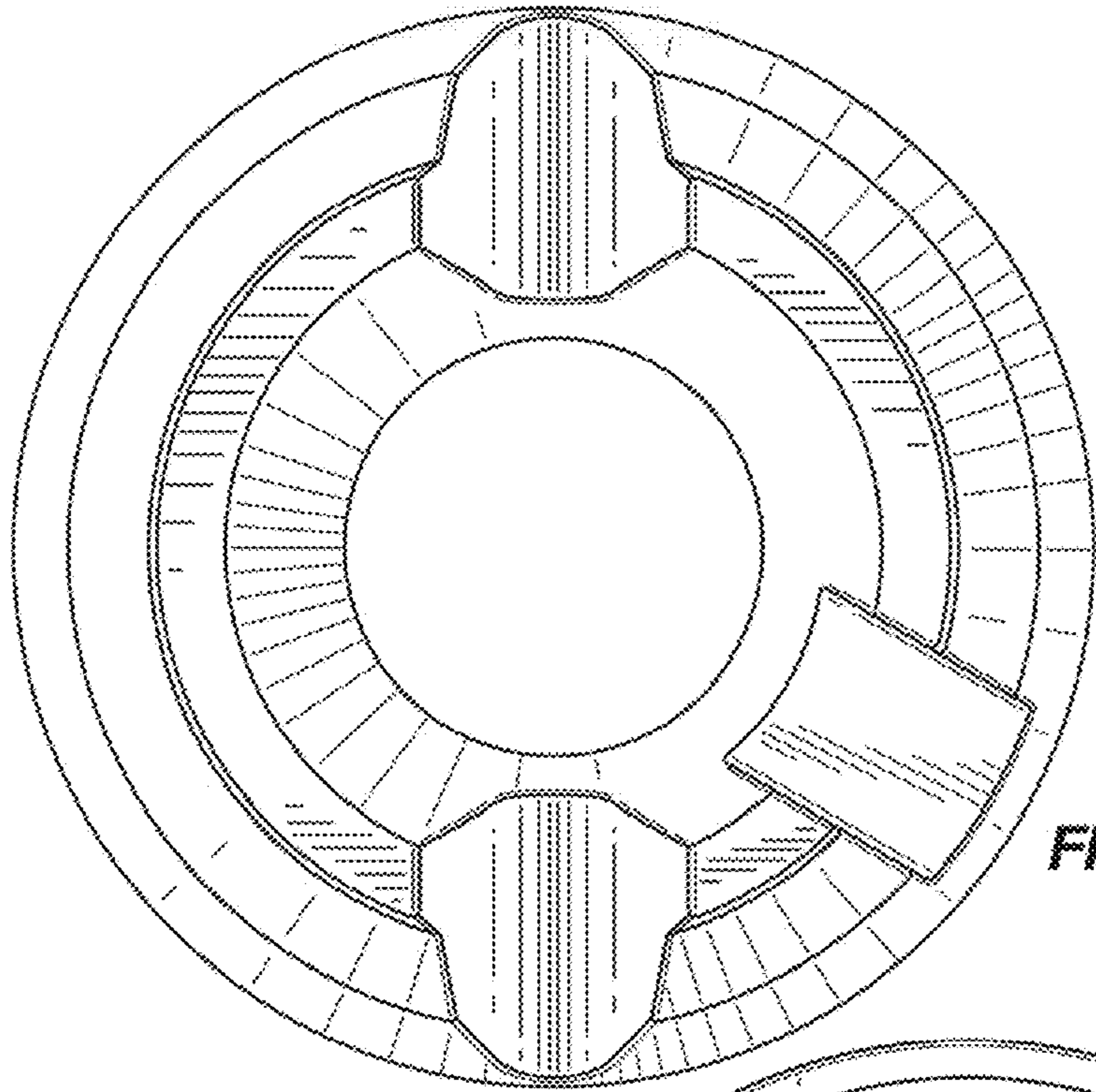


FIG. 5

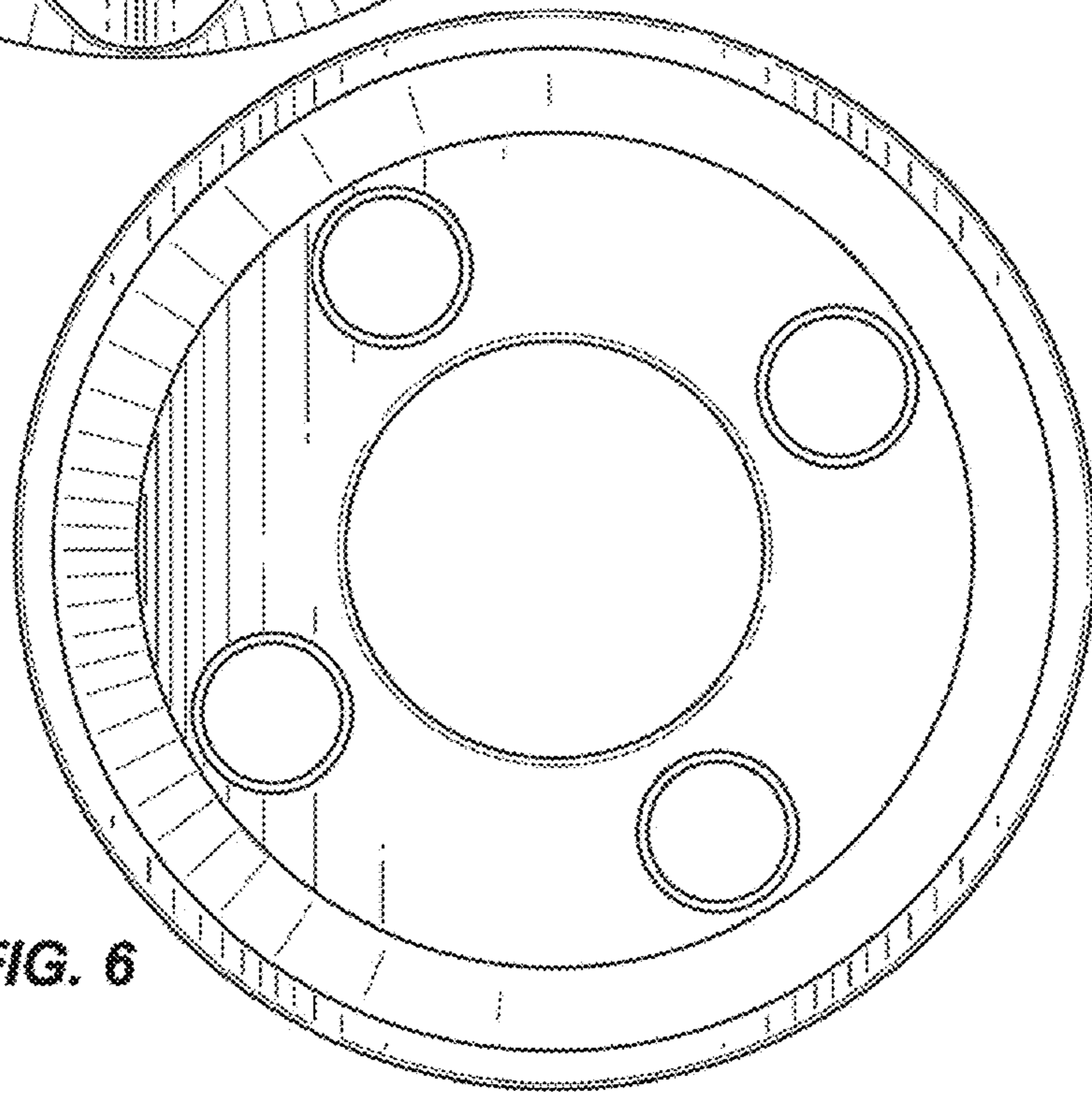
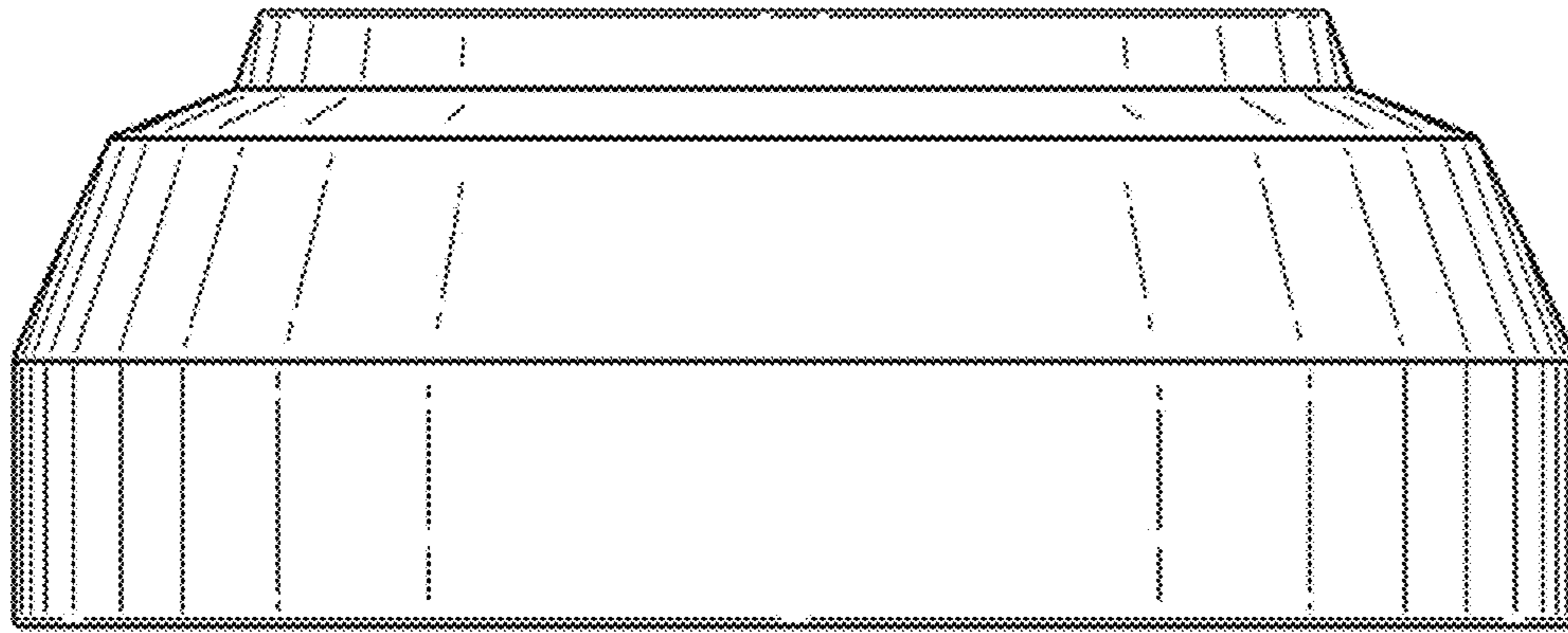
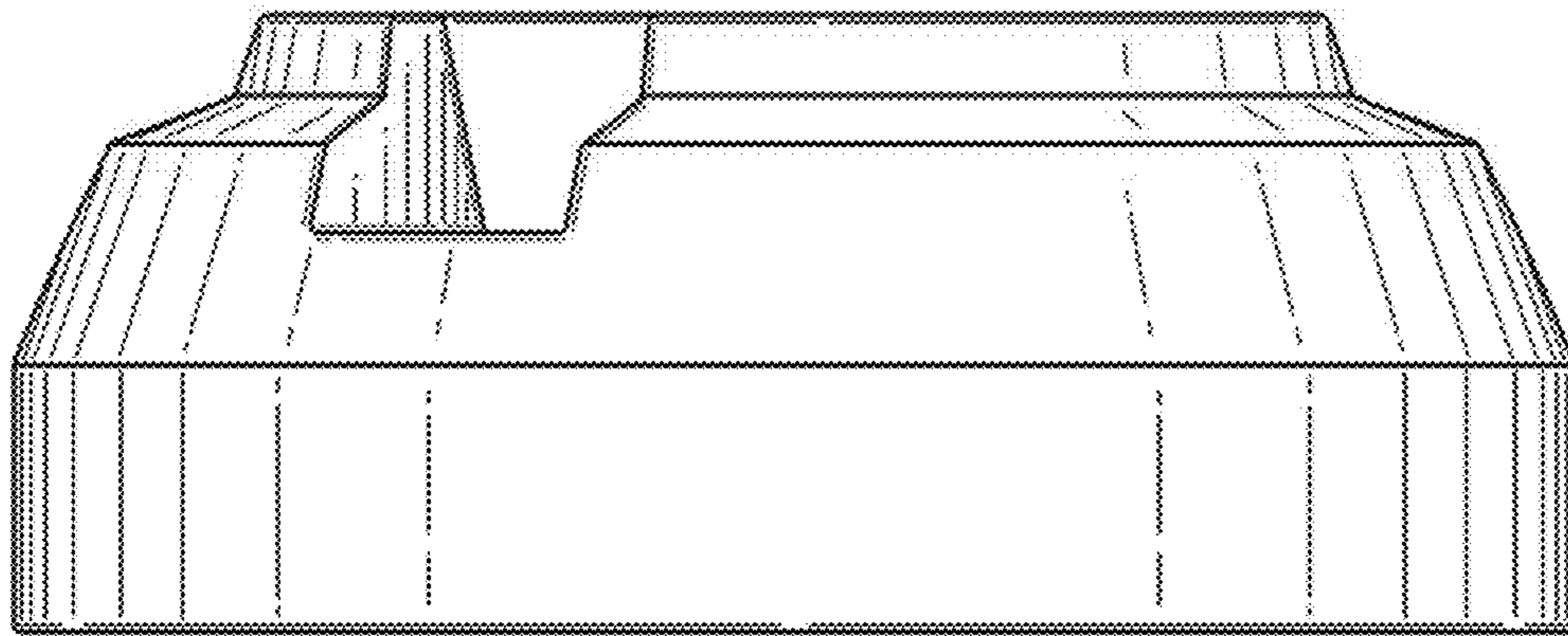


FIG. 6



**FIG. 7**



**FIG. 8**