



US00D753746S

(12) **United States Design Patent**
Yu et al.

(10) **Patent No.:** **US D753,746 S**
(45) **Date of Patent:** **** Apr. 12, 2016**

(54) **LENS**

(71) Applicant: **HON HAI PRECISION INDUSTRY CO., LTD.**, New Taipei (TW)

(72) Inventors: **Tai-Cherng Yu**, New Taipei (TW);
Chien-Hui Lin, New Taipei (TW)

(73) Assignee: **HON HAI PRECISION INDUSTRY CO., LTD.**, New Taipei (TW)

(**) Term: **14 Years**

(21) Appl. No.: **29/488,087**

(22) Filed: **Apr. 15, 2014**

(51) **LOC (10) Cl.** **16-06**

(52) **U.S. Cl.**
USPC **D16/134**

(58) **Field of Classification Search**
USPC D16/130, 134, 135, 136, 137; D26/124;
359/211.1, 641, 709, 710, 718,
359/726-728, 737; 362/245, 294, 296.03,
362/305, 307, 311.02, 327, 328, 517
CPC . F21Y 2103/022; F21Y 2103/02; F21V 5/04;
F21V 29/83; F21V 3/02; F21V 7/09; F21V
5/00; F21V 5/02; F21V 7/04; F21V 5/045;
F21V 7/00; F21V 3/0418; F21V 3/0436;
F21V 29/86; F21V 7/041; G02B 7/02; G02B
3/00; G02B 27/0955; G02B 27/0966; G02B
3/06; G02B 7/003; G02B 5/10

See application file for complete search history.

(56) **References Cited**

U.S. PATENT DOCUMENTS

4,577,937	A *	3/1986	Clegg	359/709
6,115,193	A *	9/2000	Shu	359/725
6,724,543	B1 *	4/2004	Chinniah et al.	359/718
D625,462	S *	10/2010	Ku et al.	D26/128
D662,956	S *	7/2012	Lai et al.	D16/134
D664,286	S *	7/2012	Chou	D26/124
2001/0053032	A1 *	12/2001	Hatakeyama et al.	359/819
2008/0310159	A1 *	12/2008	Chinniah et al.	362/244
2009/0225440	A1 *	9/2009	Ho	359/709
2011/0051426	A1 *	3/2011	Huang	362/309
2011/0270585	A1 *	11/2011	Chen et al.	703/1
2014/0036496	A1 *	2/2014	Cai et al.	362/235
2014/0168970	A1 *	6/2014	Choi et al.	362/235
2014/0177229	A1 *	6/2014	Wang He	362/296.03
2014/0293582	A1 *	10/2014	Lee et al.	362/97.1
2015/0109764	A1 *	4/2015	Nan et al.	362/97.3

* cited by examiner

Primary Examiner — Derrick Holland

Assistant Examiner — Lauren Calve

(74) *Attorney, Agent, or Firm* — Novak Druce Connolly
Bove + Quigg LLP

(57) **CLAIM**

The ornamental design for a lens, as shown and described.

DESCRIPTION

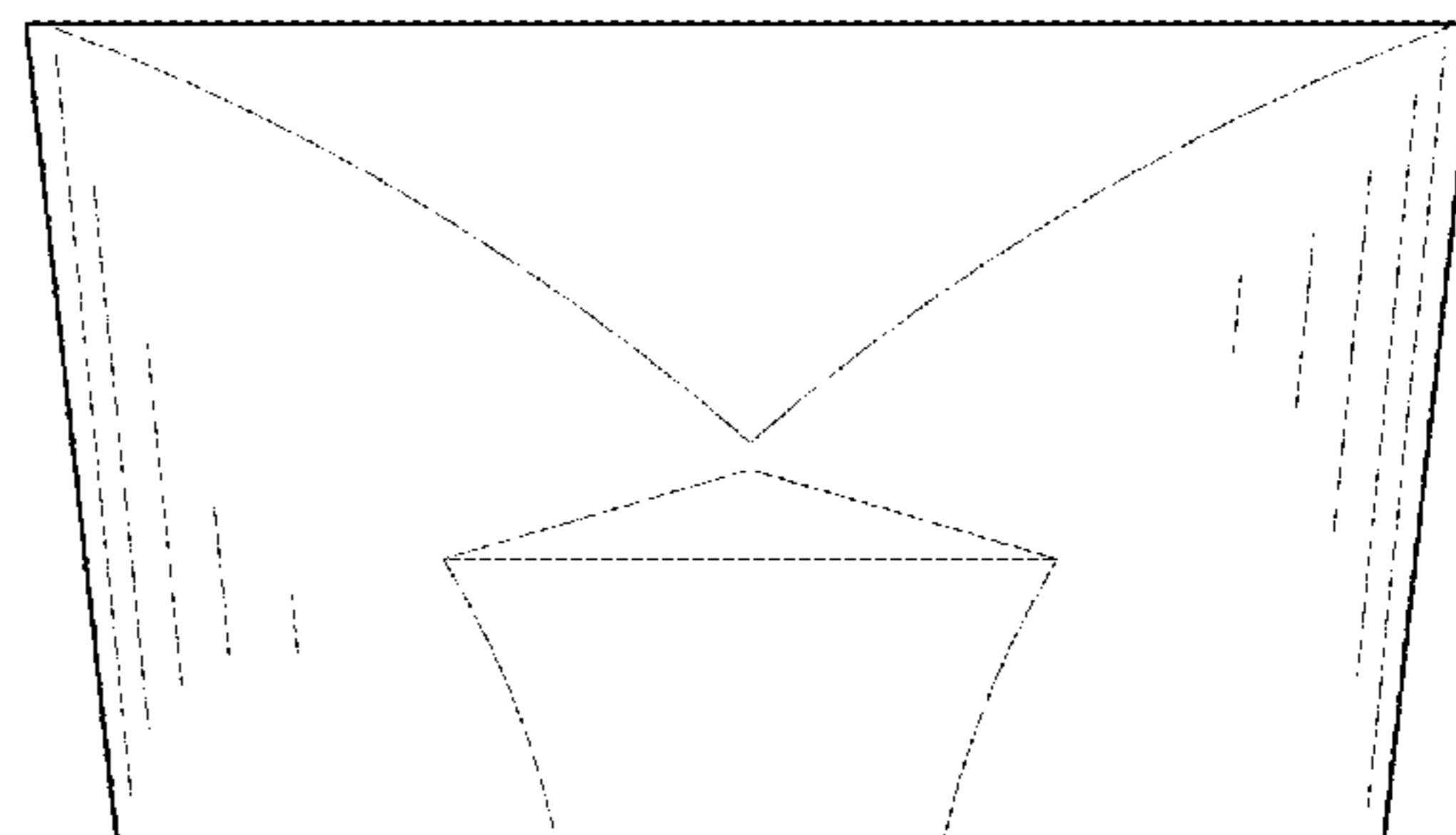
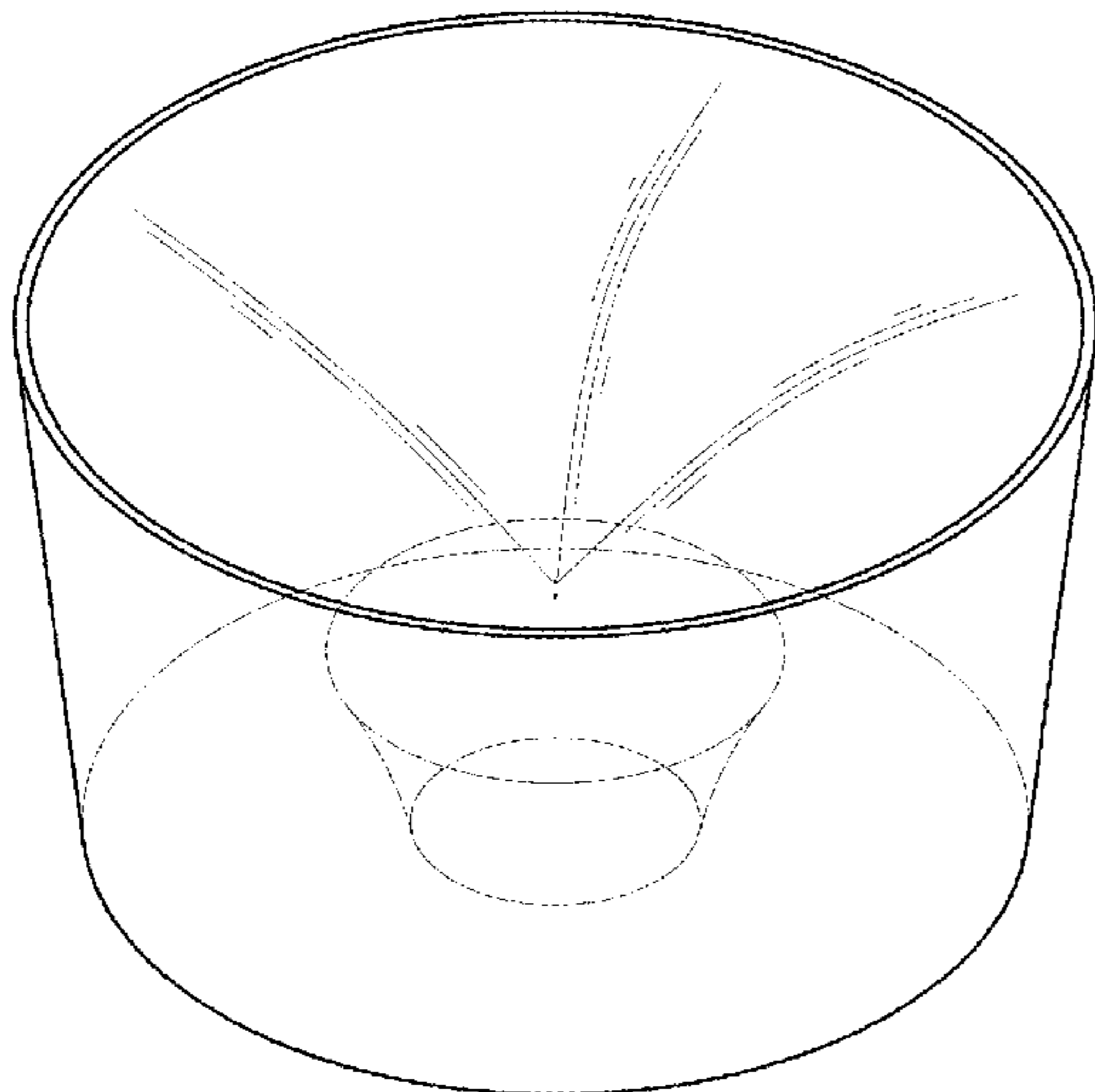
FIG. 1 is a perspective view of a lens in accordance with the present design.

FIG. 2 is a side, elevational view thereof, the right, left, front, and back elevational views being identical.

FIG. 3 is a top plan view thereof; and,

FIG. 4 is a bottom plan view thereof.

1 Claim, 4 Drawing Sheets



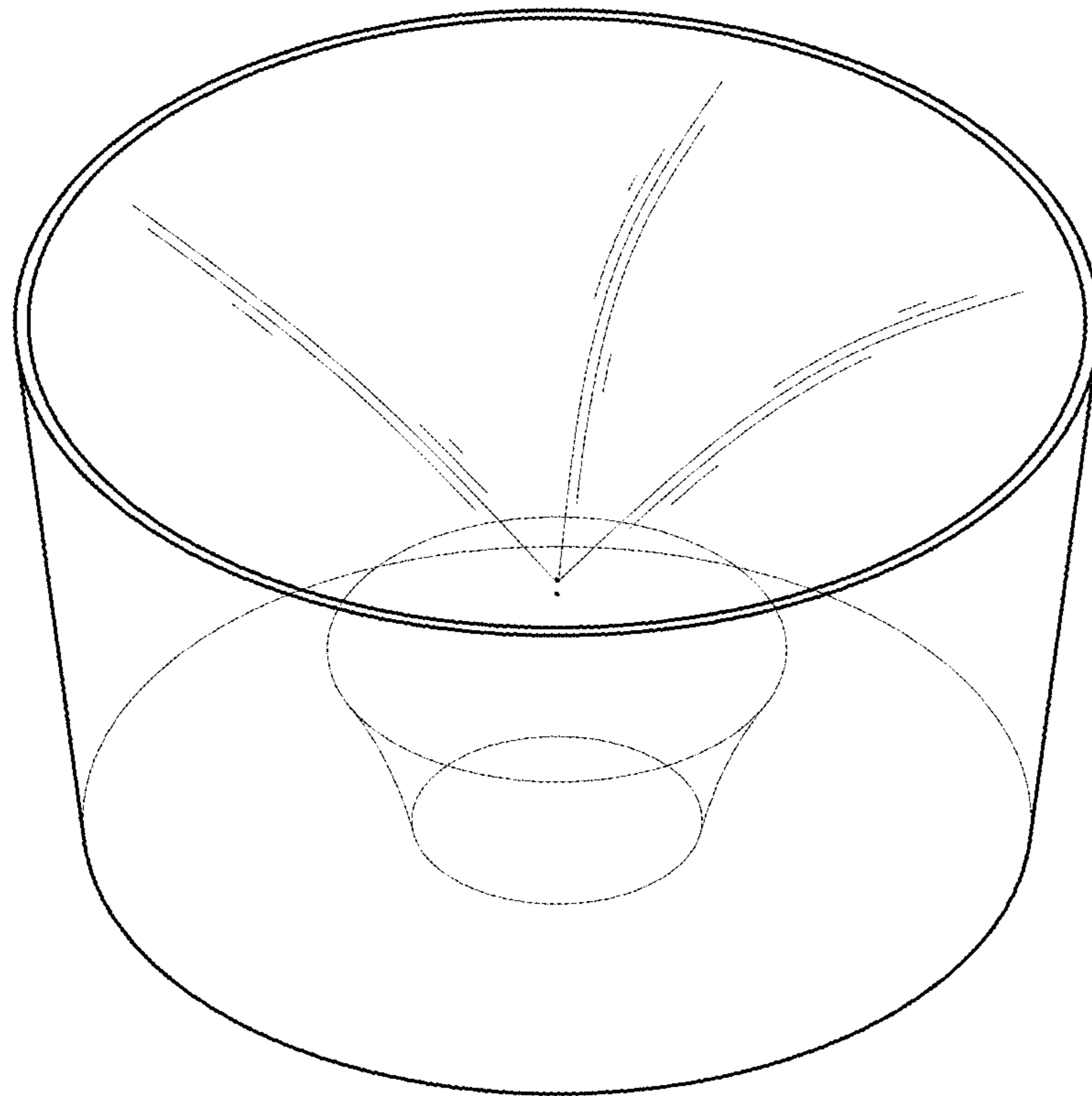


FIG. 1

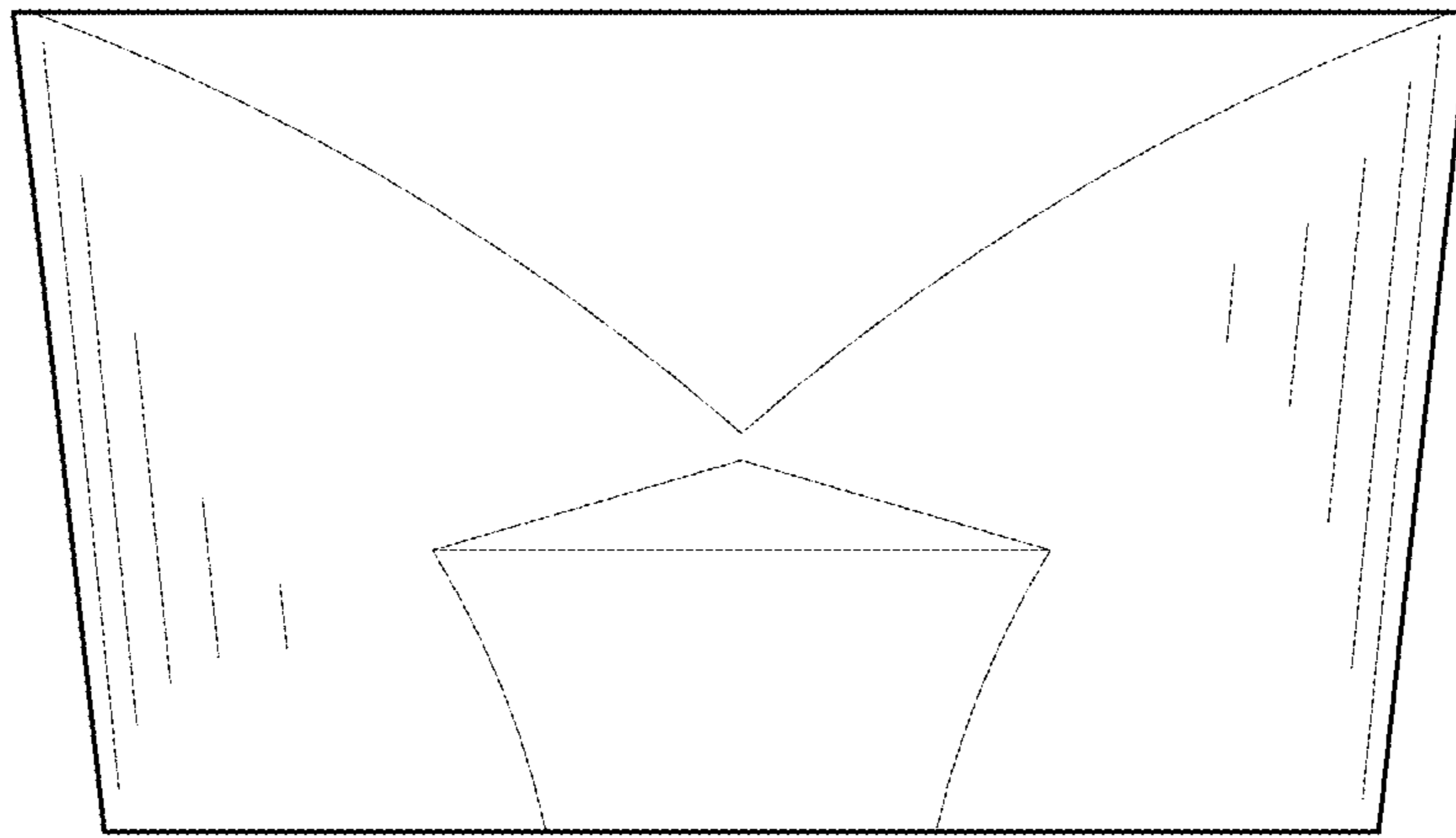


FIG. 2

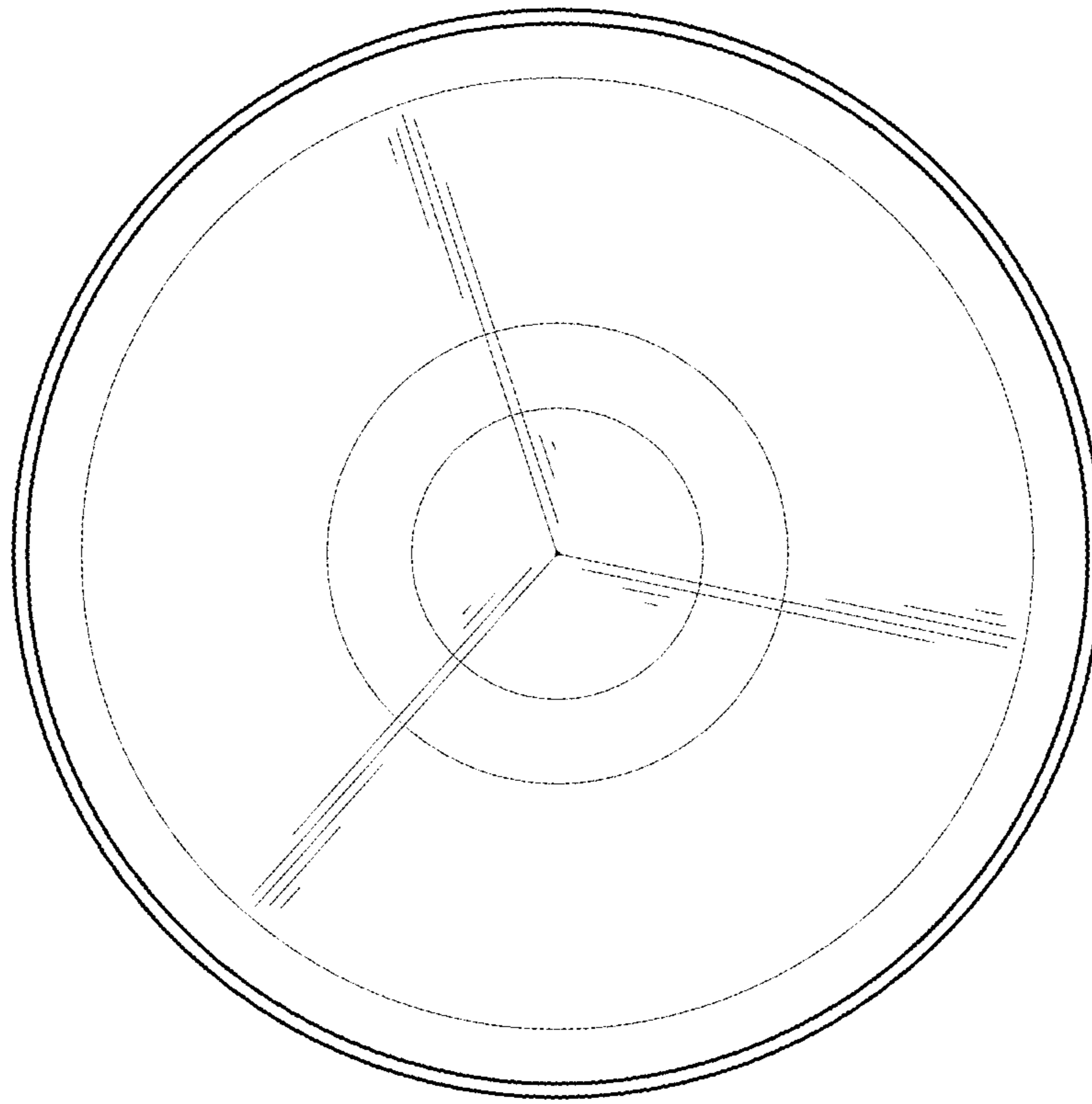


FIG. 3

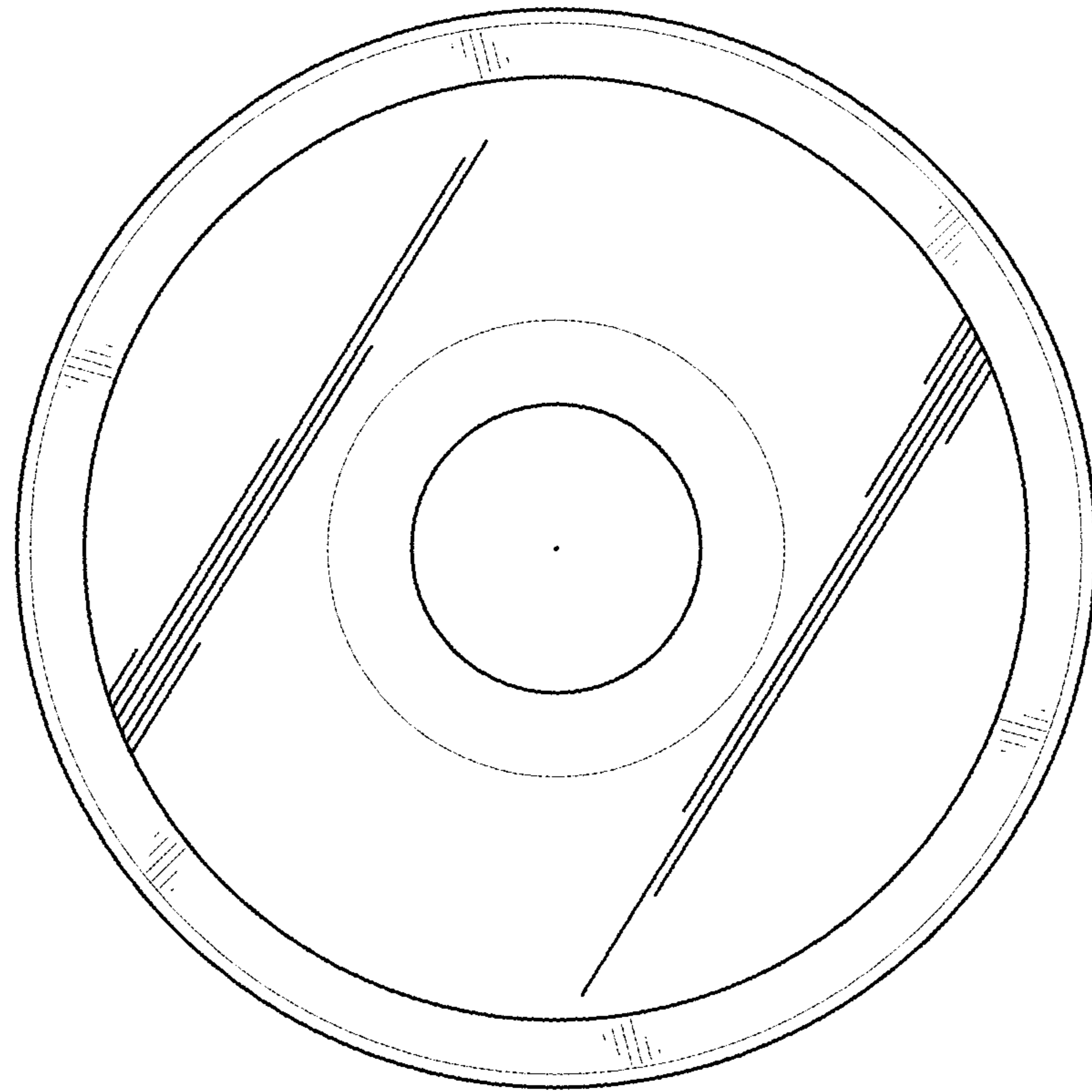


FIG. 4