



US00D753745S

(12) **United States Design Patent**
Pilz

(10) **Patent No.:** **US D753,745 S**

(45) **Date of Patent:** **** Apr. 12, 2016**

(54) **TELESCOPE**

(71) Applicant: **KARL STORZ GmbH & Co. KG,**
Tuttlingen (DE)

(72) Inventor: **Kevin Pilz,** Tuttlingen (DE)

(73) Assignee: **KARL STORZ GmbH & Co. KG,**
Tuttlingen (DE)

(**) Term: **14 Years**

(21) Appl. No.: **29/469,838**

(22) Filed: **Oct. 15, 2013**

(30) **Foreign Application Priority Data**

Apr. 15, 2013 (EM) 002220467-0004

(51) **LOC (10) Cl.** **16-06**

(52) **U.S. Cl.**
USPC **D16/132; D24/138**

(58) **Field of Classification Search**
USPC D24/133, 137, 138; D16/130, 132, 136;
606/46-52; 600/101, 113, 114, 118,
600/131, 134, 135, 138, 162, 166, 168
CPC A61B 18/1445; A61B 18/1492; A61B
18/1402; A61B 18/1482; A61B 1/05; A61B
1/31; A61B 18/148; A61B 1/00154; A61B
17/00234; A61B 17/320016; A61B
2018/00982; A61B 1/0052; A61B 19/22;
A61B 1/00193; A61B 1/00188; A61B
2017/00296; A61B 2017/00243; A61B
17/3417; A61B 19/26; A61B 2019/2211;
A61B 1/00087; A61B 1/005; A61B 1/00071;
A61B 10/04; G02B 23/2415; G02B 23/243;
G02B 23/2438; G02B 23/2407; G02B 21/22;
G02B 23/24; G02B 21/0012; H04N
2005/2255; H04N 7/183; A61M 25/0147;
A61M 3/0279; A61M 25/0133

See application file for complete search history.

(56) **References Cited**

U.S. PATENT DOCUMENTS

D181,503	S	*	11/1957	Streifeneder	D16/130
D286,566	S	*	11/1986	Vukovic	D24/138
4,974,580	A	*	12/1990	Anapliotis	600/122
5,892,625	A	*	4/1999	Heimer	359/665
6,201,649	B1	*	3/2001	Rudischhauser et al.	359/808
6,955,644	B2	*	10/2005	Forkey et al.	600/133
D536,790	S	*	2/2007	Michel et al.	D24/137
D585,923	S	*	2/2009	Berci	D16/130
D620,108	S	*	7/2010	Eitenmueller et al.	D24/144
D639,429	S	*	6/2011	Speiser	D24/138
D645,490	S	*	9/2011	Gille et al.	D16/135
D670,383	S	*	11/2012	Eisenkolb et al.	D24/137
D674,090	S	*	1/2013	Campo et al.	D24/138

(Continued)

Primary Examiner — Derrick Holland

Assistant Examiner — Lauren Calve

(74) *Attorney, Agent, or Firm* — Muncy, Geissler, Olds & Lowe, P.C.

(57) **CLAIM**

The ornamental design for a telescope, as shown and described.

DESCRIPTION

FIG. 1 is a perspective view of a telescope according to the present invention.

FIG. 2 is a front view of the telescope of FIG. 1.

FIG. 3 is a rear view of the telescope of FIG. 1.

FIG. 4 is a left view of the telescope of FIG. 1.

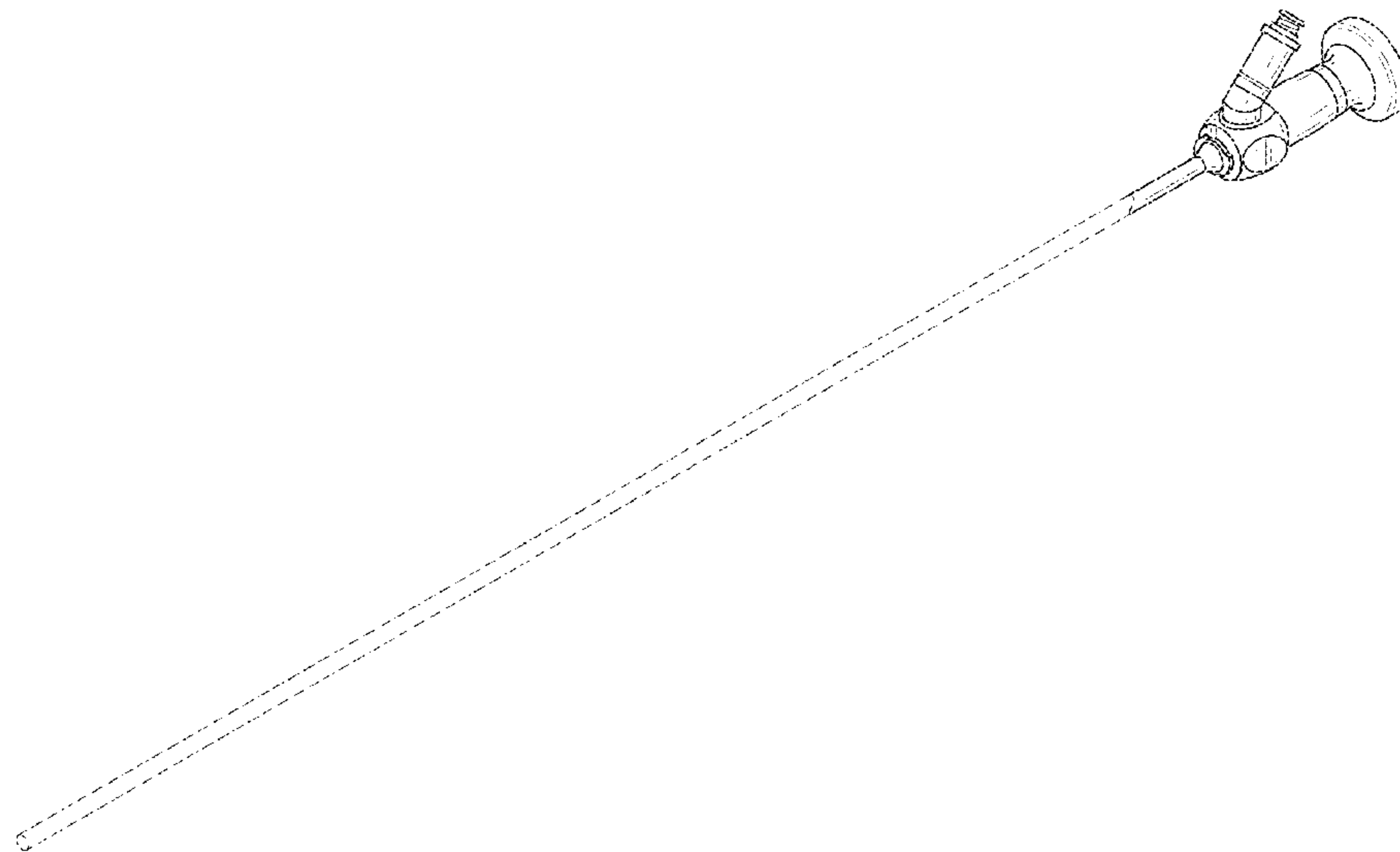
FIG. 5 is a right view of the telescope of FIG. 1.

FIG. 6 is a top view of the telescope of FIG. 1; and,

FIG. 7 is a bottom view of the telescope of FIG. 1.

The broken lines shown represent unclaimed subject matter and form no part of the claimed design.

1 Claim, 7 Drawing Sheets



US D753,745 S

Page 2

(56)

References Cited

U.S. PATENT DOCUMENTS

D712,945 S *	9/2014	Brucksch	D16/132	
D715,433 S *	10/2014	Berci et al.	D24/138	* cited by examiner
D729,384 S *	5/2015	Renner	D24/138	
2003/0199826 A1 *	10/2003	Windheuser et al.	604/161	
2009/0076323 A1 *	3/2009	Smith et al.	600/114	

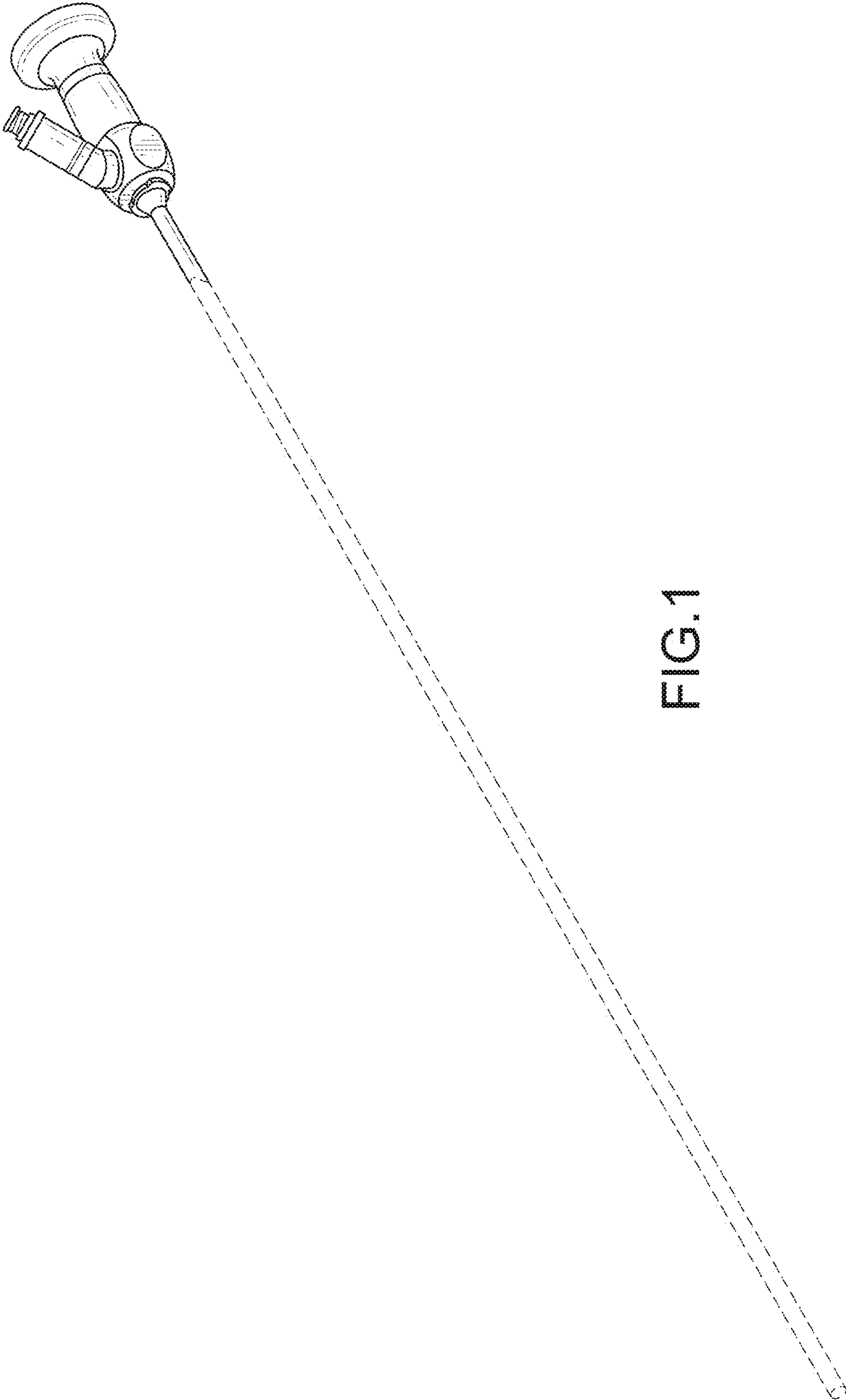


FIG.1

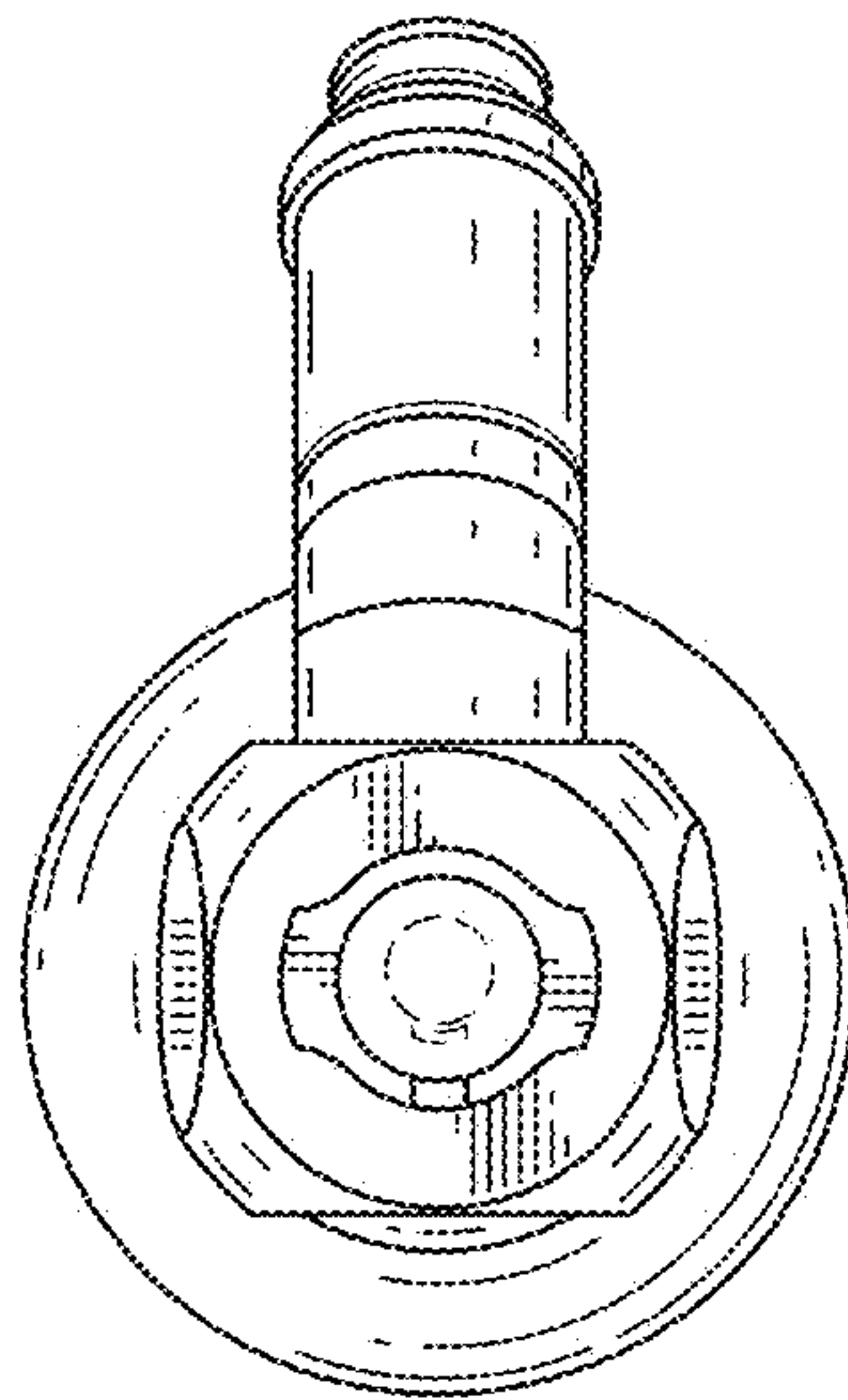


FIG.2

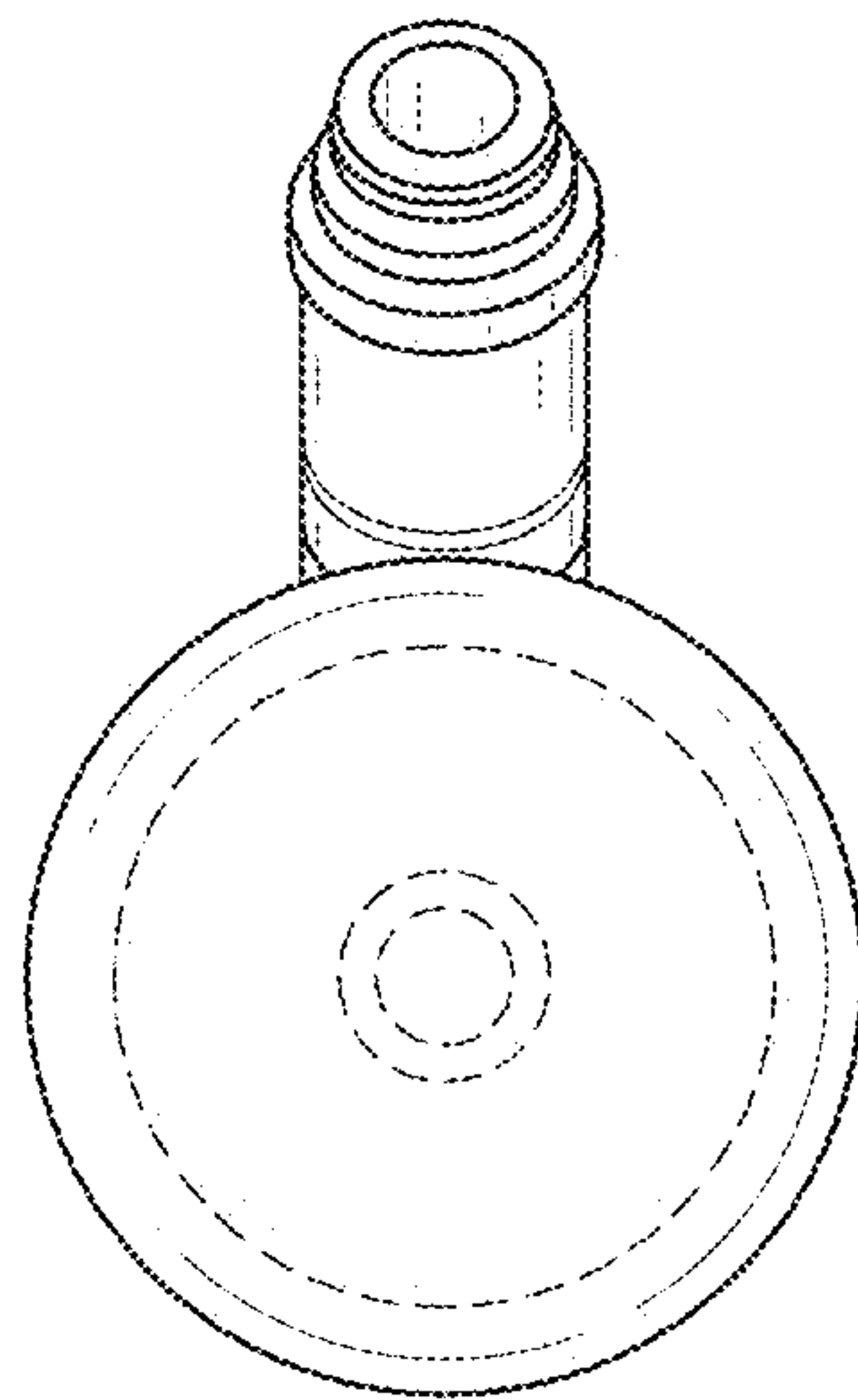


FIG. 3

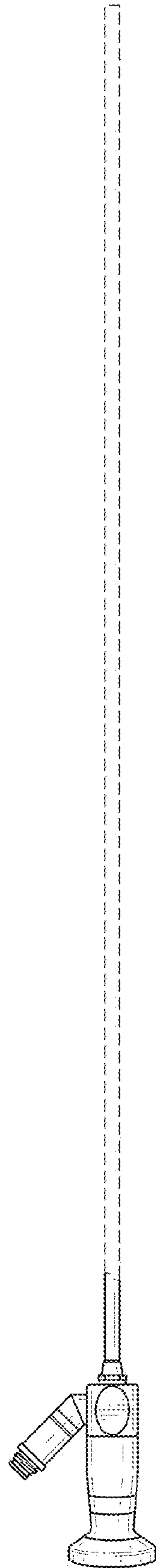


FIG.4

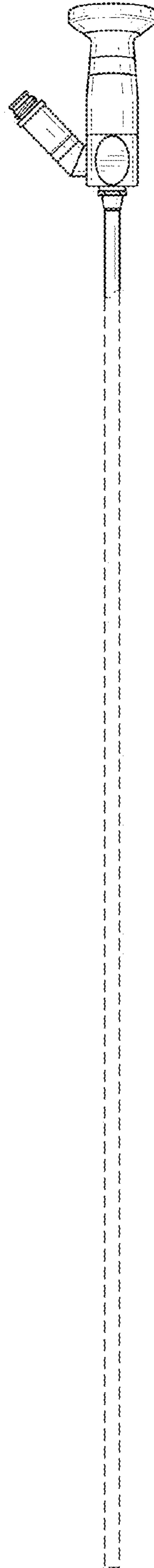


FIG. 5

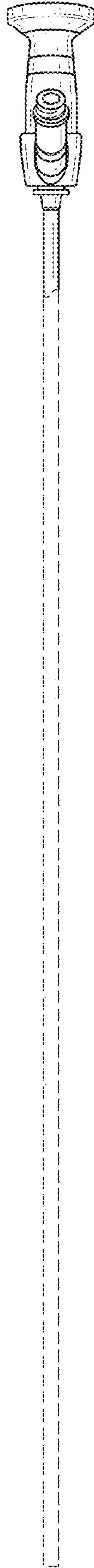


FIG.6

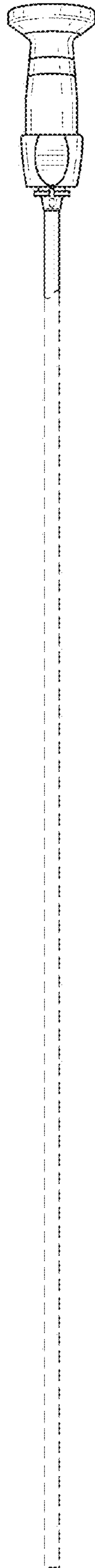


FIG. 7