



US00D753743S

(12) **United States Design Patent**
Takahashi et al.

(10) **Patent No.:** **US D753,743 S**
(45) **Date of Patent:** **** Apr. 12, 2016**

(54) **REDUCTION GEAR**

(71) Applicant: **NABTESCO CORPORATION**, Tokyo (JP)

(72) Inventors: **Masahiro Takahashi**, Mie (JP);
Takayuki Okimura, Mie (JP)

(73) Assignee: **NABTESCO CORPORATION**, Tokyo (JP)

(**) Term: **14 Years**

(21) Appl. No.: **29/520,665**

(22) Filed: **Mar. 17, 2015**

(51) **LOC (10) Cl.** **15-09**

(52) **U.S. Cl.**
USPC **D15/149**

(58) **Field of Classification Search**
USPC D15/148, 149
See application file for complete search history.

(56) **References Cited**

U.S. PATENT DOCUMENTS

- 4,282,767 A * 8/1981 Guichard F16H 1/225
74/410
- D264,342 S * 5/1982 Johannes D15/149
- D269,014 S * 5/1983 Tumidajewicz D15/149
- 4,774,848 A * 10/1988 Zupancic F16H 1/16
198/672
- 4,987,791 A * 1/1991 Nakahashi B60S 1/08
74/425
- 5,171,193 A * 12/1992 Gagliano F16H 1/203
475/333
- 5,216,929 A * 6/1993 Ochiai F16H 1/16
74/425
- 5,404,060 A * 4/1995 Nakahashi F16H 55/06
29/893.37
- 5,570,606 A * 11/1996 Irie F16H 1/203
74/425
- 5,723,924 A * 3/1998 Blanchet B60S 1/08
310/68 R
- D403,004 S * 12/1998 Kaye D15/149
- 5,857,913 A * 1/1999 Fujimura F16D 7/08
192/56.62

- 5,875,681 A * 3/1999 Gerrand B60S 1/166
310/83
- 6,102,824 A * 8/2000 Kosodo F01B 3/00
475/83
- 6,699,152 B2 * 3/2004 Tanaka F16H 1/32
475/149
- 6,788,048 B2 * 9/2004 Hedayat B60N 2/002
324/202
- 6,988,582 B2 * 1/2006 Kitami B62D 5/0409
180/444
- D598,938 S * 8/2009 Mijno D15/148
- 7,605,506 B2 * 10/2009 Kanda H02K 5/148
310/51
- D604,347 S * 11/2009 Wittenstein D15/149
- 7,637,835 B2 * 12/2009 Liu F16H 1/32
475/170
- 7,686,725 B2 * 3/2010 Kawamoto F16H 1/32
475/149
- D618,262 S * 6/2010 Siegfried D15/148
- D619,631 S * 7/2010 Otsuka D15/149
- 8,294,310 B2 * 10/2012 Shimoyama B60S 1/166
310/49.47
- 2012/0129641 A1 * 5/2012 Palfai H02K 7/116
475/149

* cited by examiner

Primary Examiner — Patricia Palasik

(74) *Attorney, Agent, or Firm* — Pillsbury Winthrop Shaw Pittman LLP

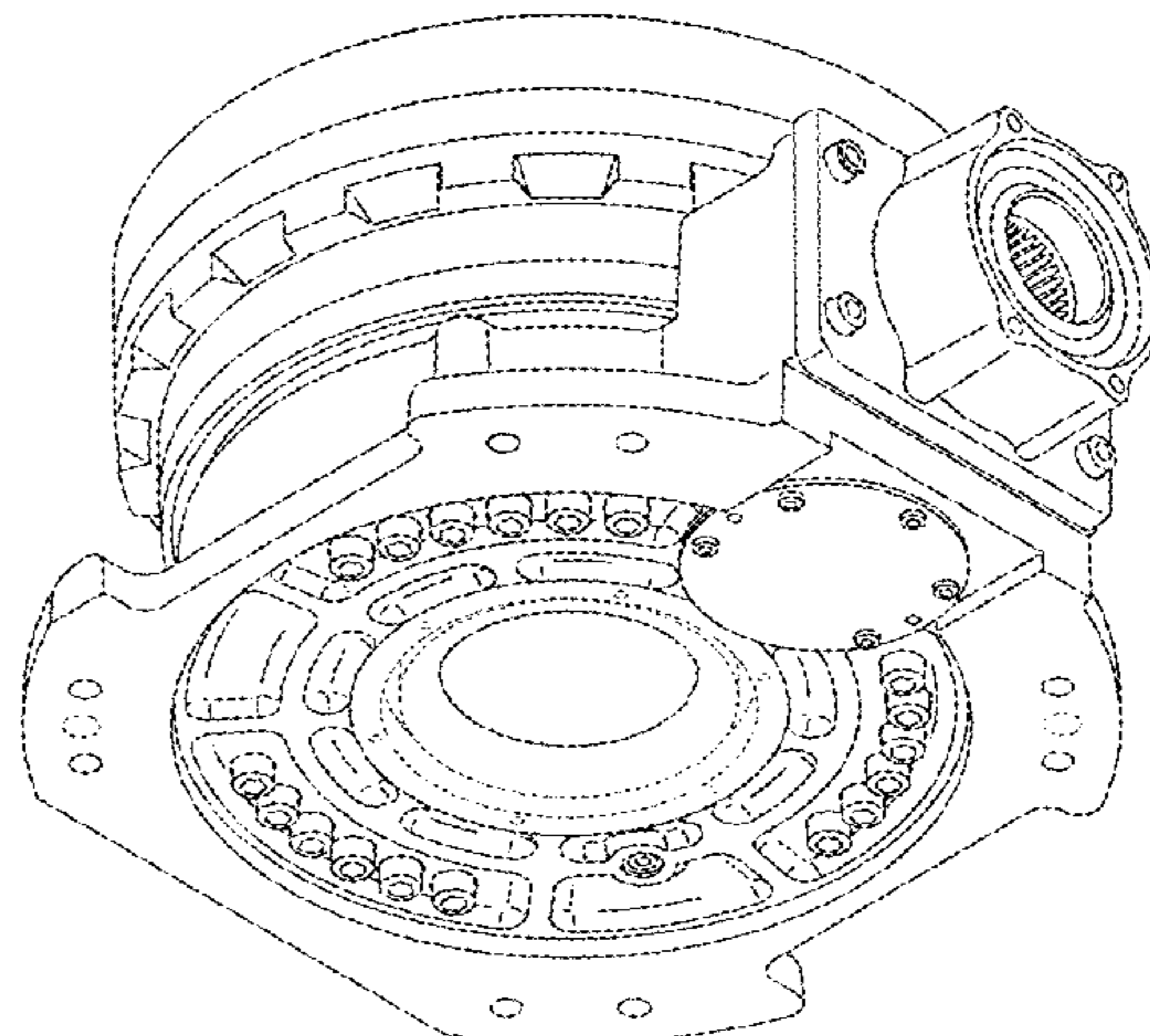
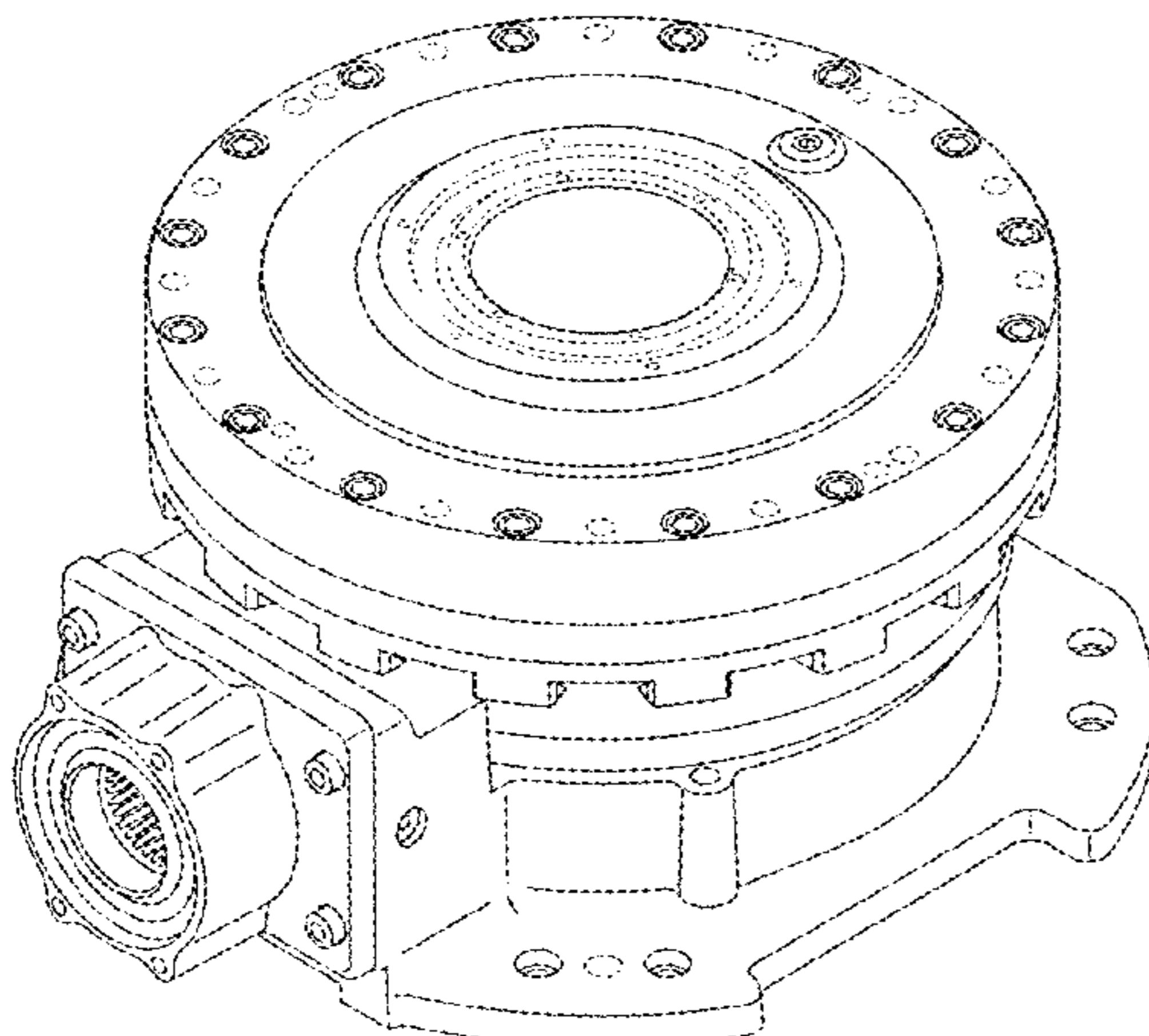
(57) **CLAIM**

The ornamental design for a reduction gear, as shown and described.

DESCRIPTION

FIG. 1 is a perspective view of a reduction gear showing our new design;
 FIG. 2 is another perspective view thereof;
 FIG. 3 is a front elevation view thereof;
 FIG. 4 is a rear elevation view thereof;
 FIG. 5 is a left side elevation view thereof;
 FIG. 6 is a right side elevation view thereof;
 FIG. 7 is a top plan view thereof; and,
 FIG. 8 is a bottom plan view thereof.
 The circular portion in the center of each plan view is a hole.
 The broken lines in the drawings depict unclaimed environmental subject matter.

1 Claim, 6 Drawing Sheets



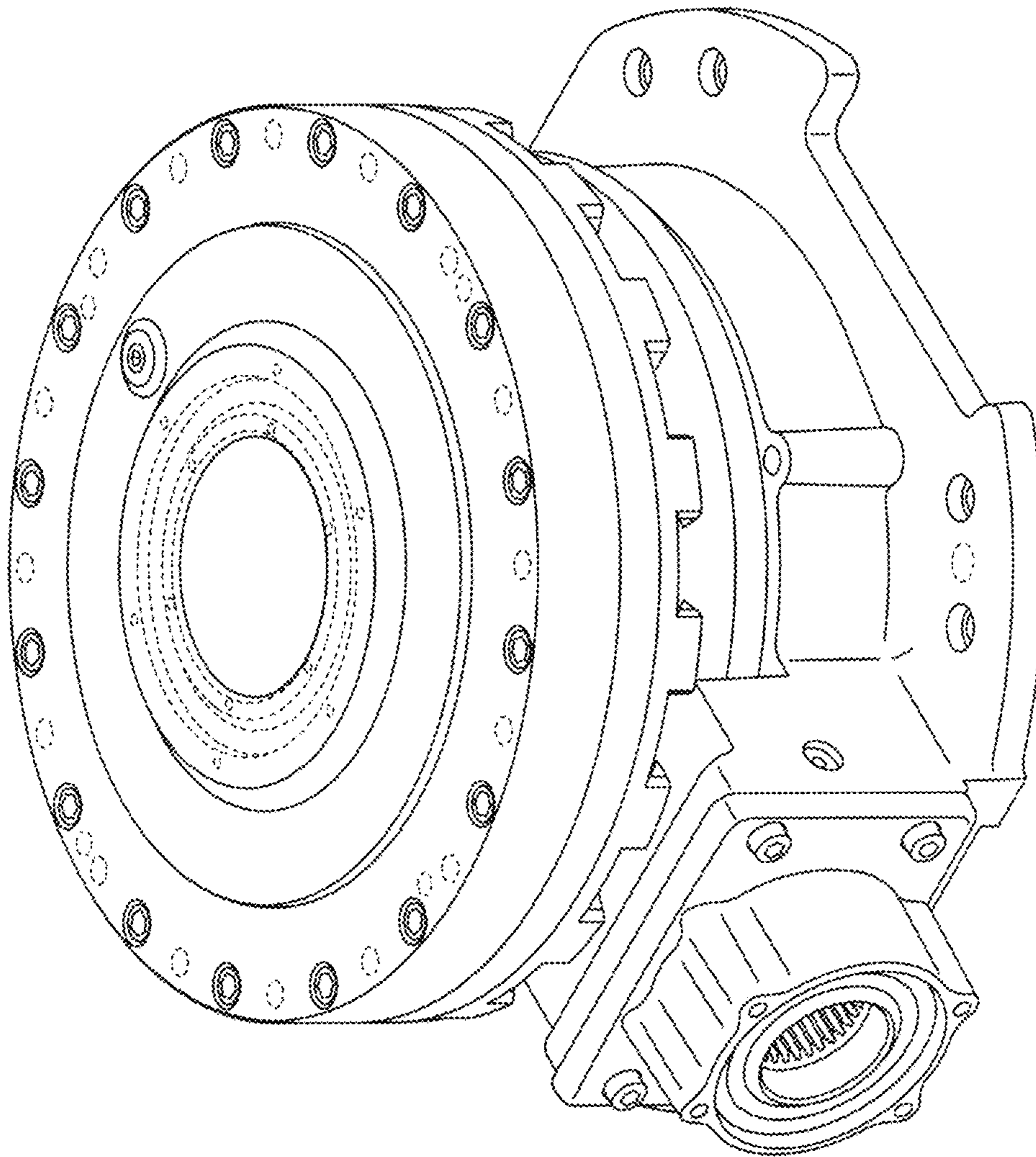


FIG. 1

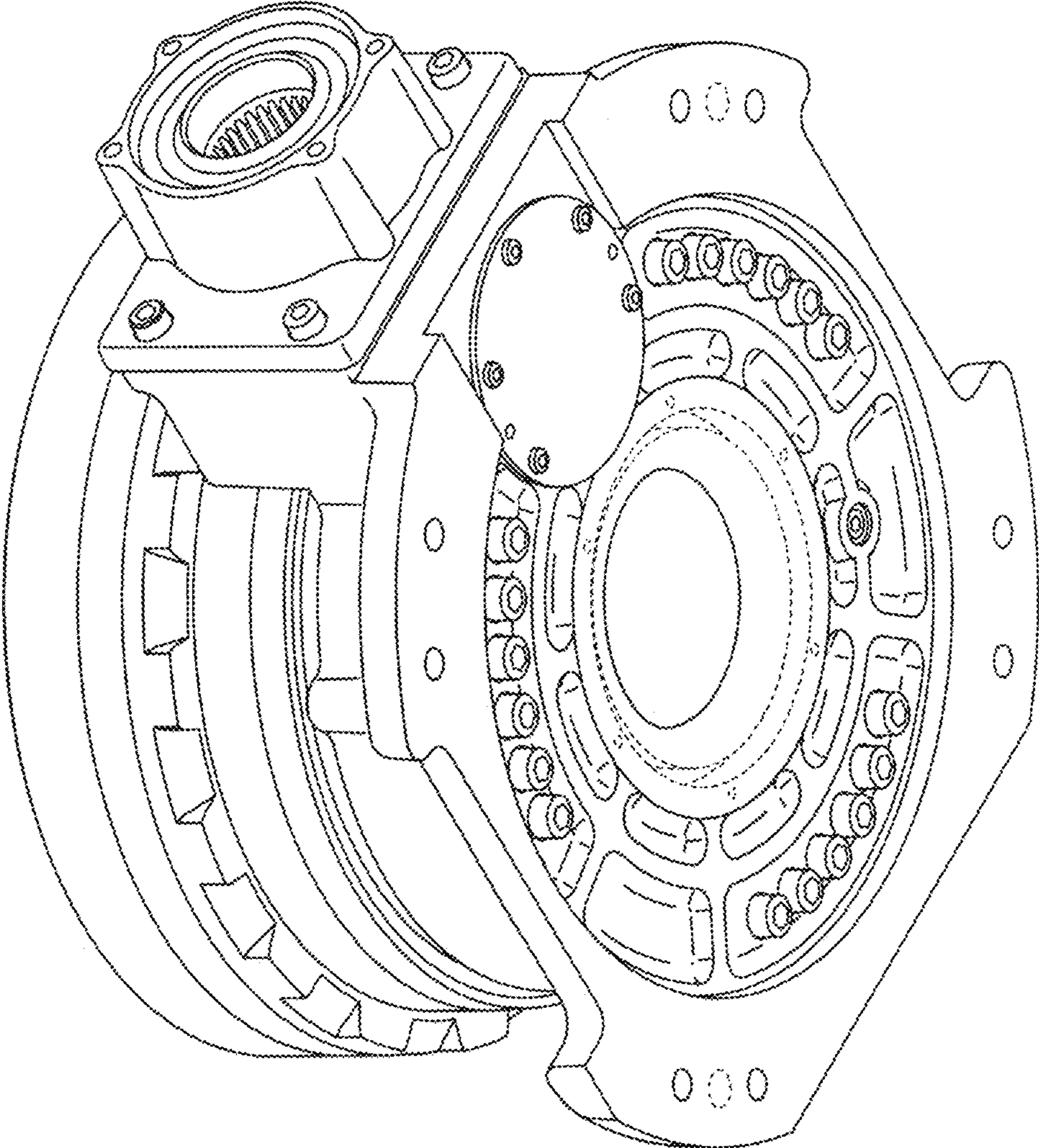


FIG. 2

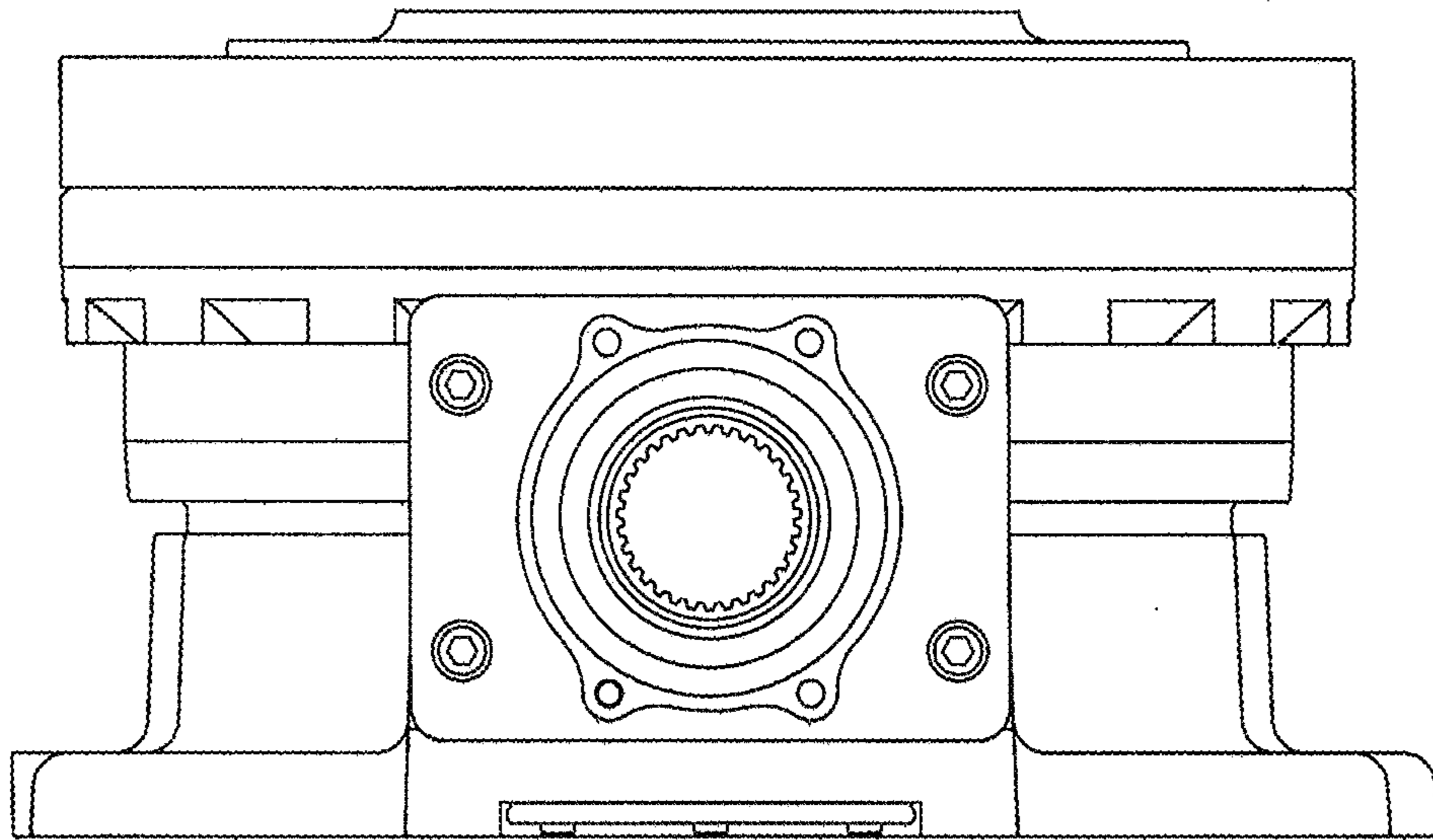


FIG. 3

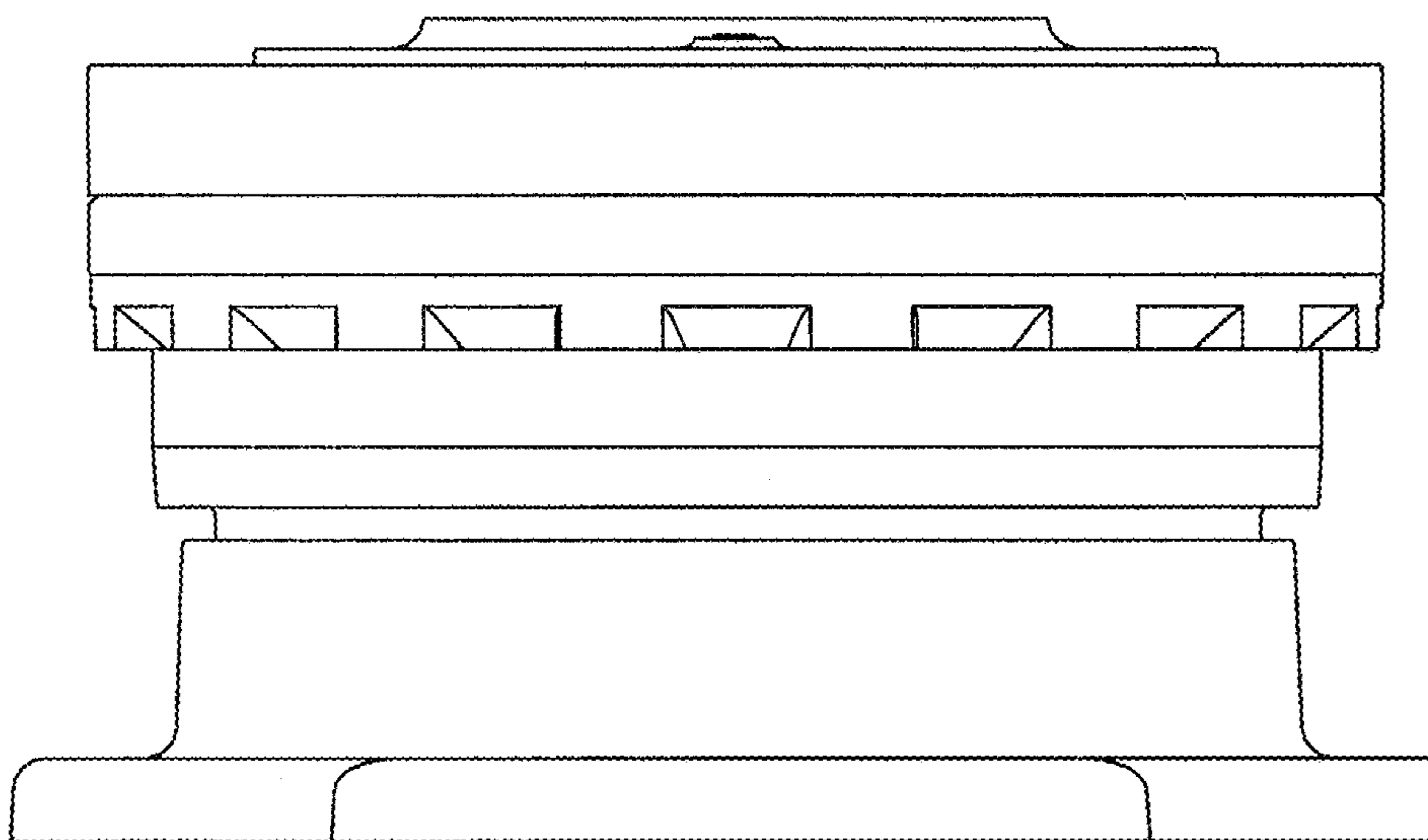


FIG. 4

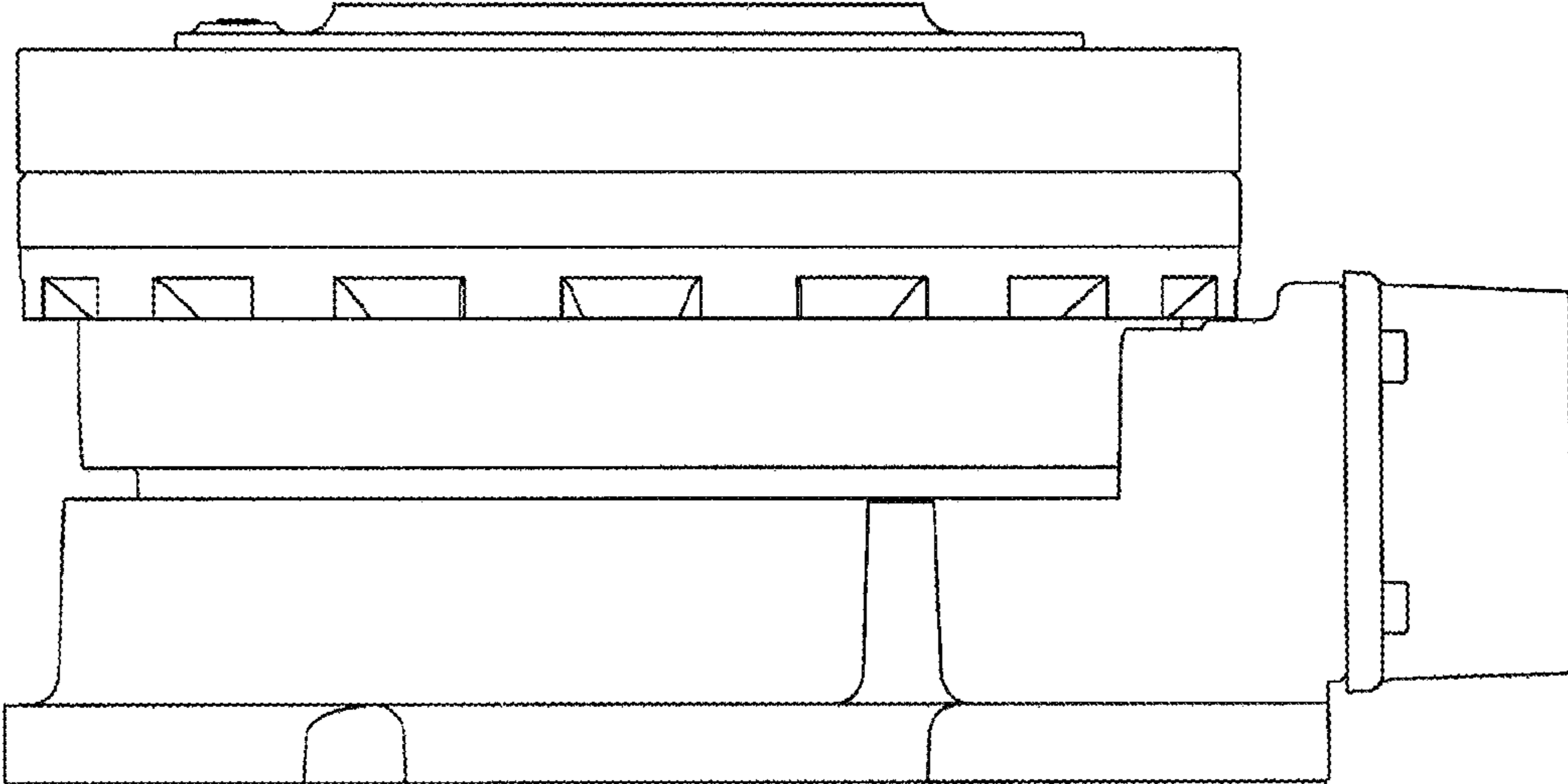


FIG. 5

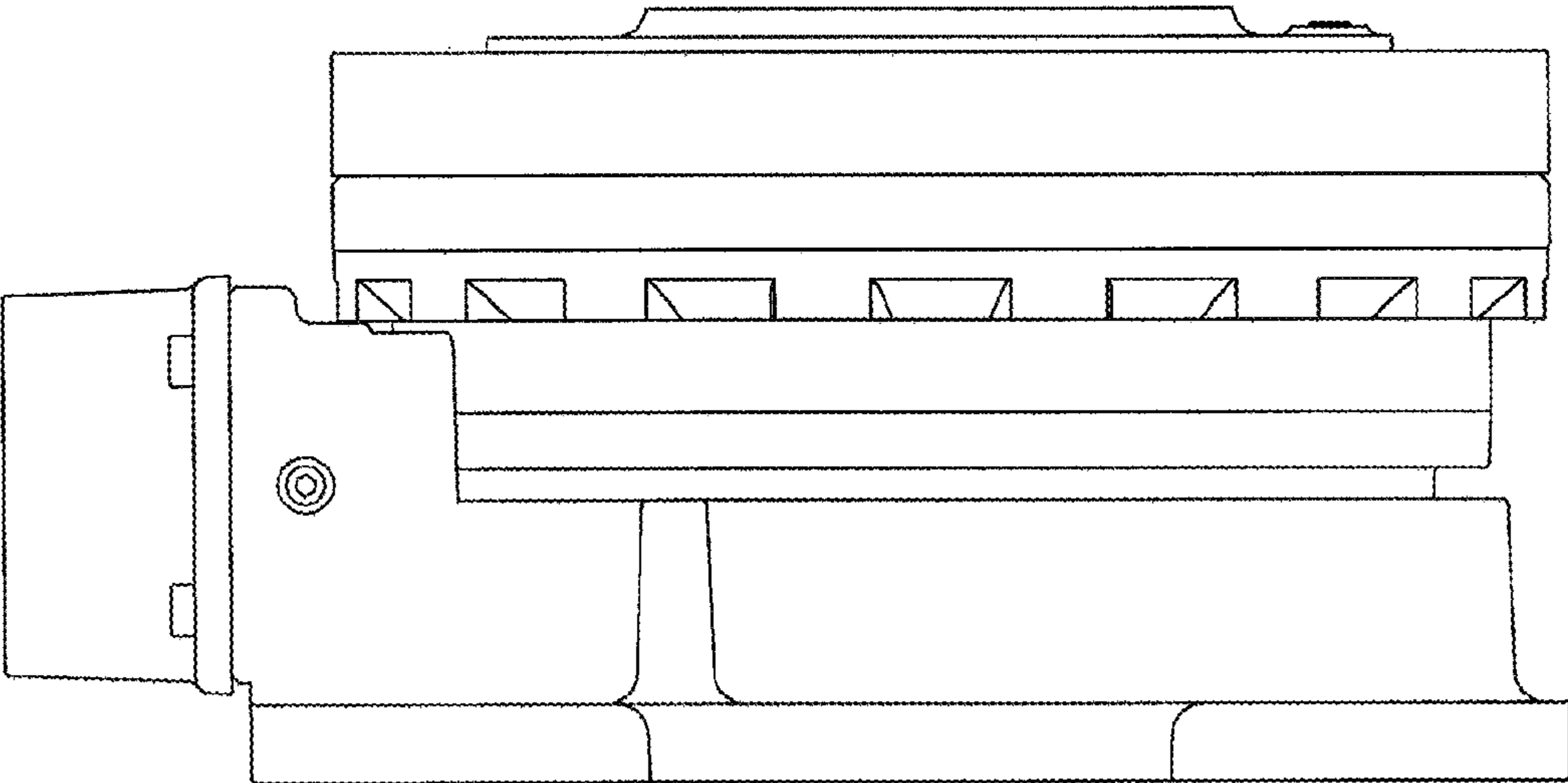


FIG. 6

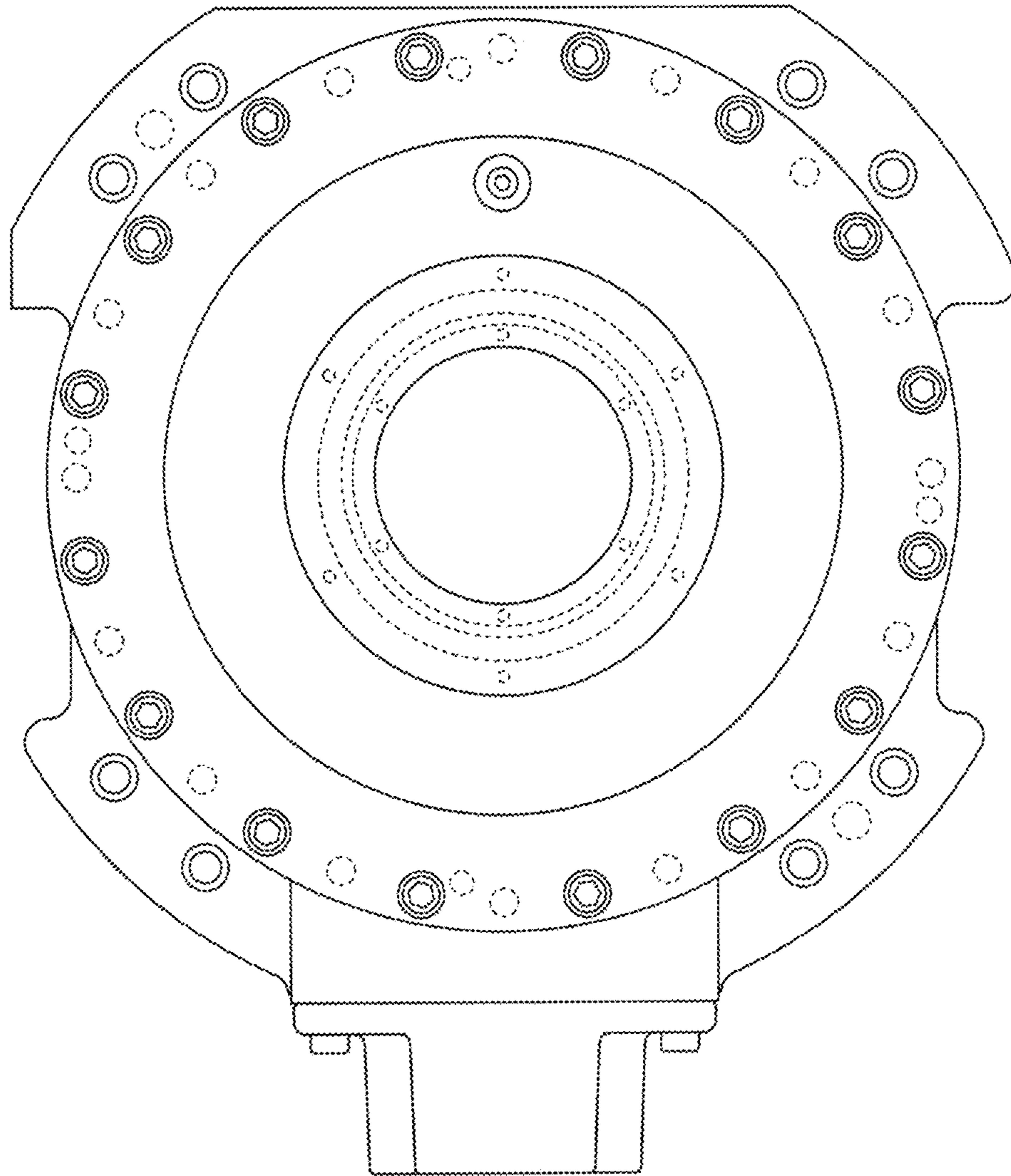


FIG. 7

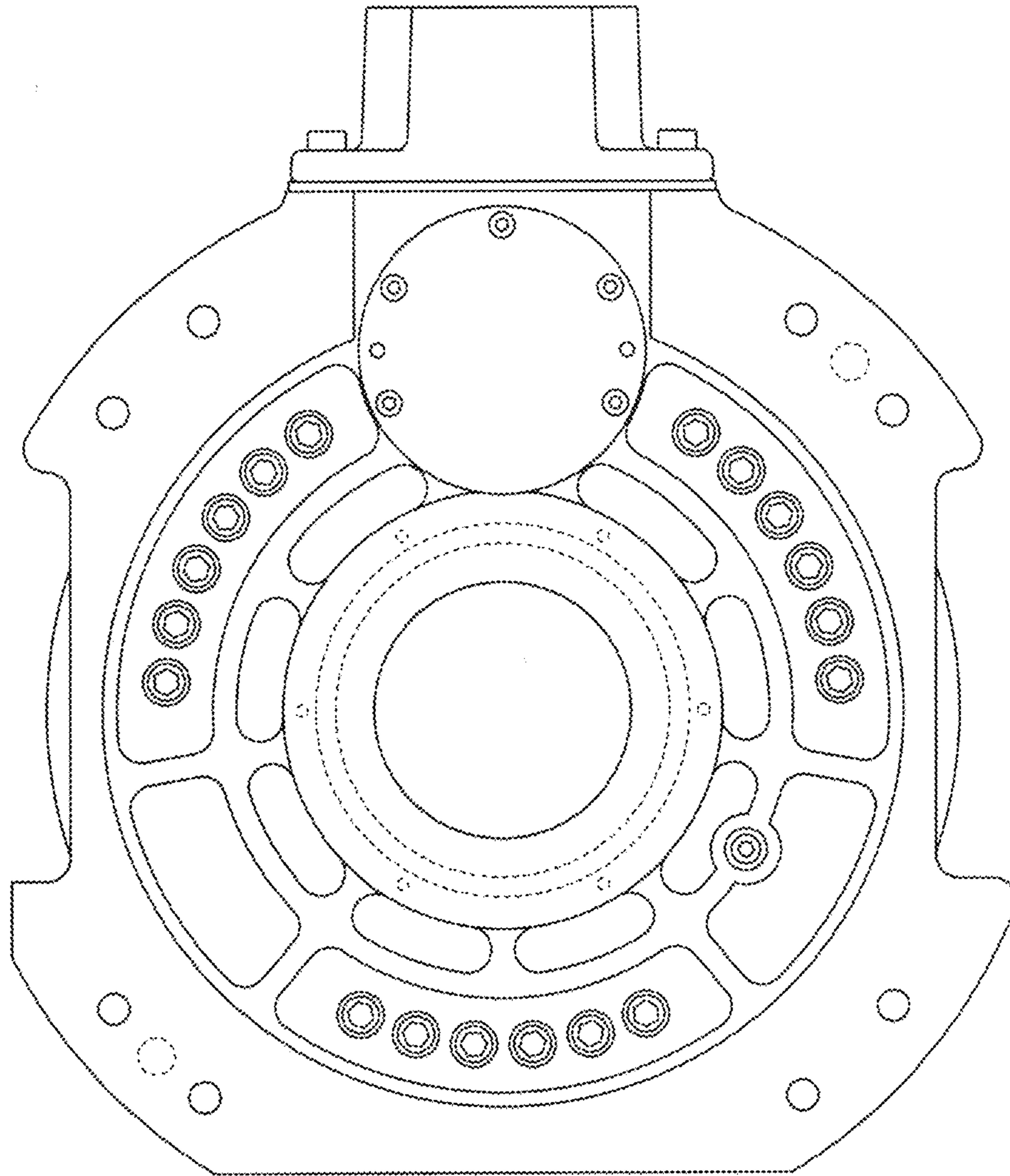


FIG. 8