



US00D753741S

(12) **United States Design Patent**
Lee

(10) **Patent No.:** **US D753,741 S**
(45) **Date of Patent:** **** Apr. 12, 2016**

(54) **CAPSULE FILLER FOR PHARMACEUTICAL PURPOSES**

(71) Applicant: **SEJONG PHARMATECH CO., LTD.**,
Incheon (KR)

(72) Inventor: **Sang Ho Lee**, Bucheon-si (KR)

(73) Assignee: **SEJONG PHARMATECH CO., LTD.**
(KR)

(**) Term: **14 Years**

(21) Appl. No.: **29/496,185**

(22) Filed: **Jul. 10, 2014**

(30) **Foreign Application Priority Data**

Jan. 10, 2014 (KR) 30-2014-0001597

(51) **LOC (10) Cl.** **15-09**

(52) **U.S. Cl.**
USPC **D15/145**

(58) **Field of Classification Search**
USPC D15/122, 145, 146
See application file for complete search history.

(56) **References Cited**

U.S. PATENT DOCUMENTS

2,742,749	A *	4/1956	McGuire	A61J 3/075
					53/268
D190,682	S *	6/1961	Merril	D15/145
5,660,029	A *	8/1997	King	A61J 3/075
					141/391
D426,563	S *	6/2000	Yang	D10/97
D501,502	S *	2/2005	Scully	D18/50
D517,438	S *	3/2006	Sato	D10/97
D545,854	S *	7/2007	Sato	D15/145
D562,369	S *	2/2008	Okamoto	D15/145
D566,736	S *	4/2008	Okamoto	D15/145
D567,273	S *	4/2008	Okamoto	D15/145
D613,319	S *	4/2010	Okamoto	D15/145
D622,746	S *	8/2010	Daniels	D15/145

D623,208	S *	9/2010	Parrish	D15/145
D626,161	S *	10/2010	Torre	D15/145
D626,981	S *	11/2010	Okamoto	D15/145
D629,822	S *	12/2010	Torre	D15/145
7,878,369	B2 *	2/2011	Kobayashi	A47B 88/0055
					221/197
D633,929	S *	3/2011	Yuyama	D15/145
D639,322	S *	6/2011	Daniels	D15/145
D643,865	S *	8/2011	Okamoto	D15/145
D662,953	S *	7/2012	Parrish	D15/145
D662,954	S *	7/2012	Parrish	D15/145
D662,955	S *	7/2012	Daniels	D15/145
D664,171	S *	7/2012	Gentry, Jr.	D15/145
D666,646	S *	9/2012	Gentry, Jr.	D15/145
D667,035	S *	9/2012	Rapp	D15/145
D671,971	S *	12/2012	Okamoto	D15/145
D671,972	S *	12/2012	Okamoto	D15/145
D671,973	S *	12/2012	Okamoto	D15/145
D672,796	S *	12/2012	Winkler	D15/145
8,464,901	B2 *	6/2013	Karwacki, Jr.	B65B 1/16
					221/174
D685,825	S *	7/2013	Hoelbl	D15/122
D731,568	S *	6/2015	Lee	D15/145

(Continued)

Primary Examiner — Patricia Palasik

(74) *Attorney, Agent, or Firm* — Cantor Colburn LLP

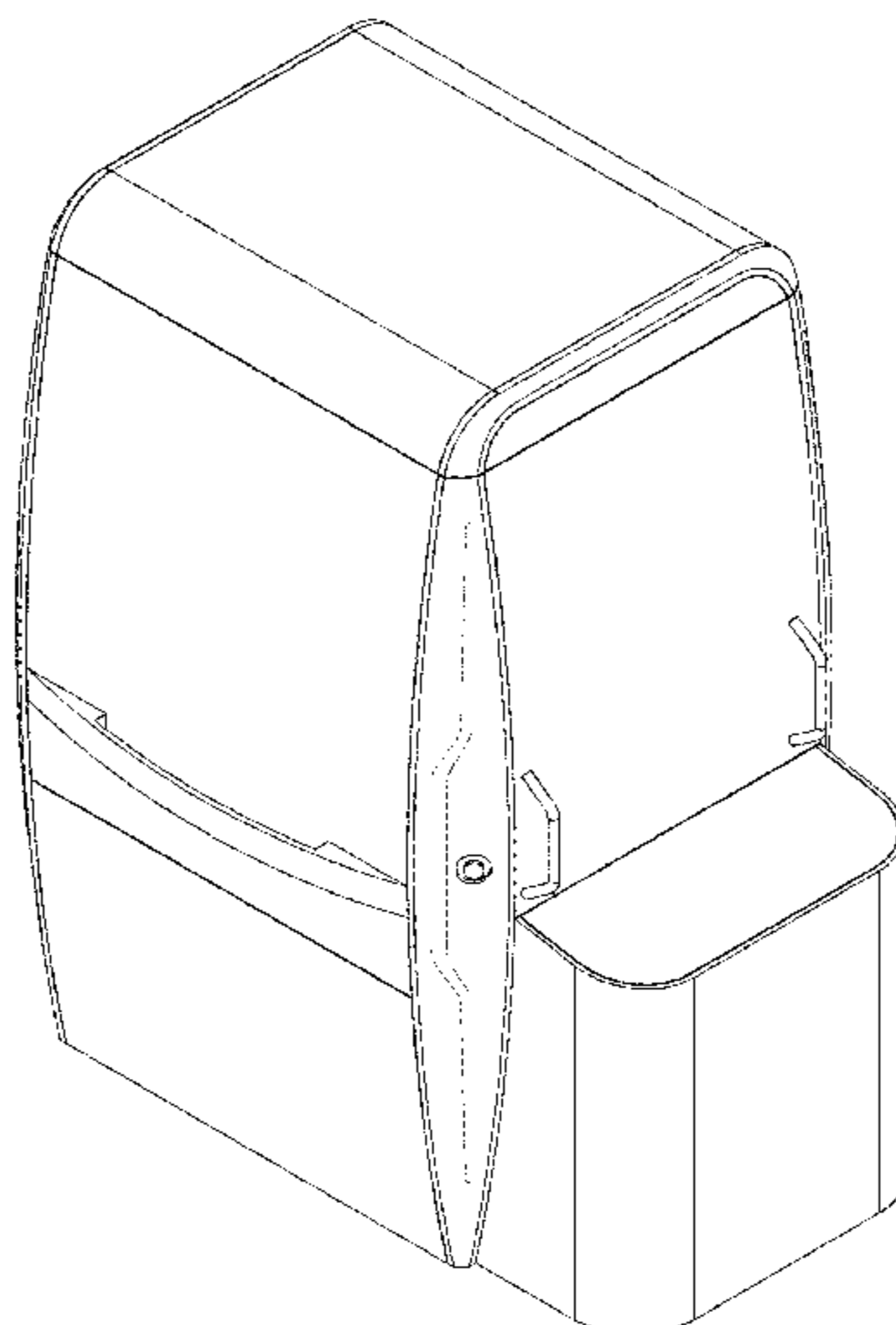
(57) **CLAIM**

The ornamental design for a capsule filler for pharmaceutical purposes, as shown and described.

DESCRIPTION

FIG. 1 is a front and right side perspective view of a capsule filler for pharmaceutical purposes showing my new design; FIG. 2 is a front elevational view thereof; FIG. 3 is a rear elevational view thereof; FIG. 4 is a left side elevational view thereof; FIG. 5 is a right side elevational view thereof; FIG. 6 is a top plan view thereof; FIG. 7 is a bottom plan view thereof; and, FIG. 8 is a rear and left side perspective view thereof. The broken lines are included for illustrative purposes and form no part of the claimed design.

1 Claim, 8 Drawing Sheets



(56)

References Cited

2014/0352878 A1* 12/2014 Contreras Julio A61J 3/005
156/213

U.S. PATENT DOCUMENTS

2011/0017521 A1* 1/2011 Birrer G01G 21/23
177/232

* cited by examiner

FIG. 1

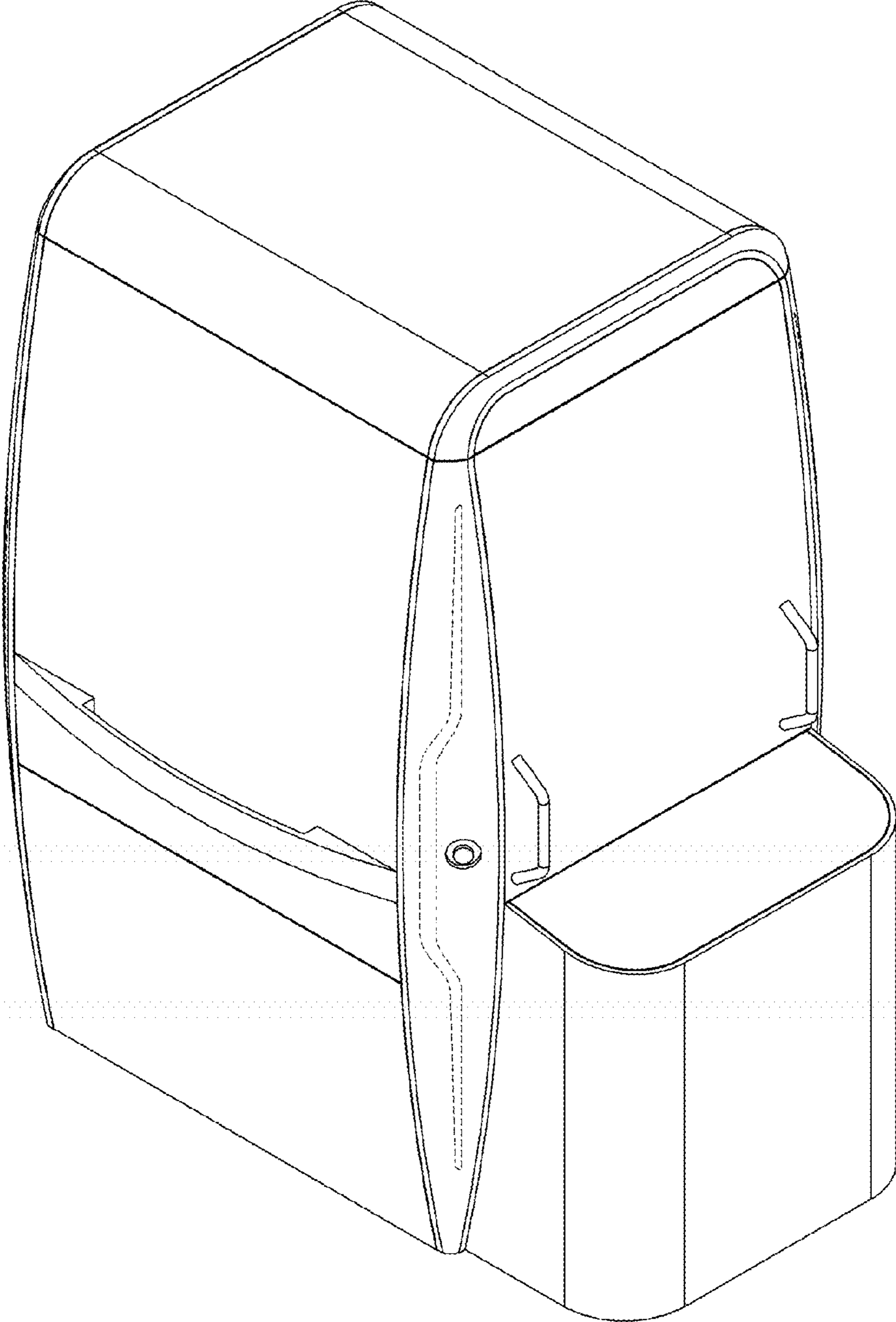


FIG. 2

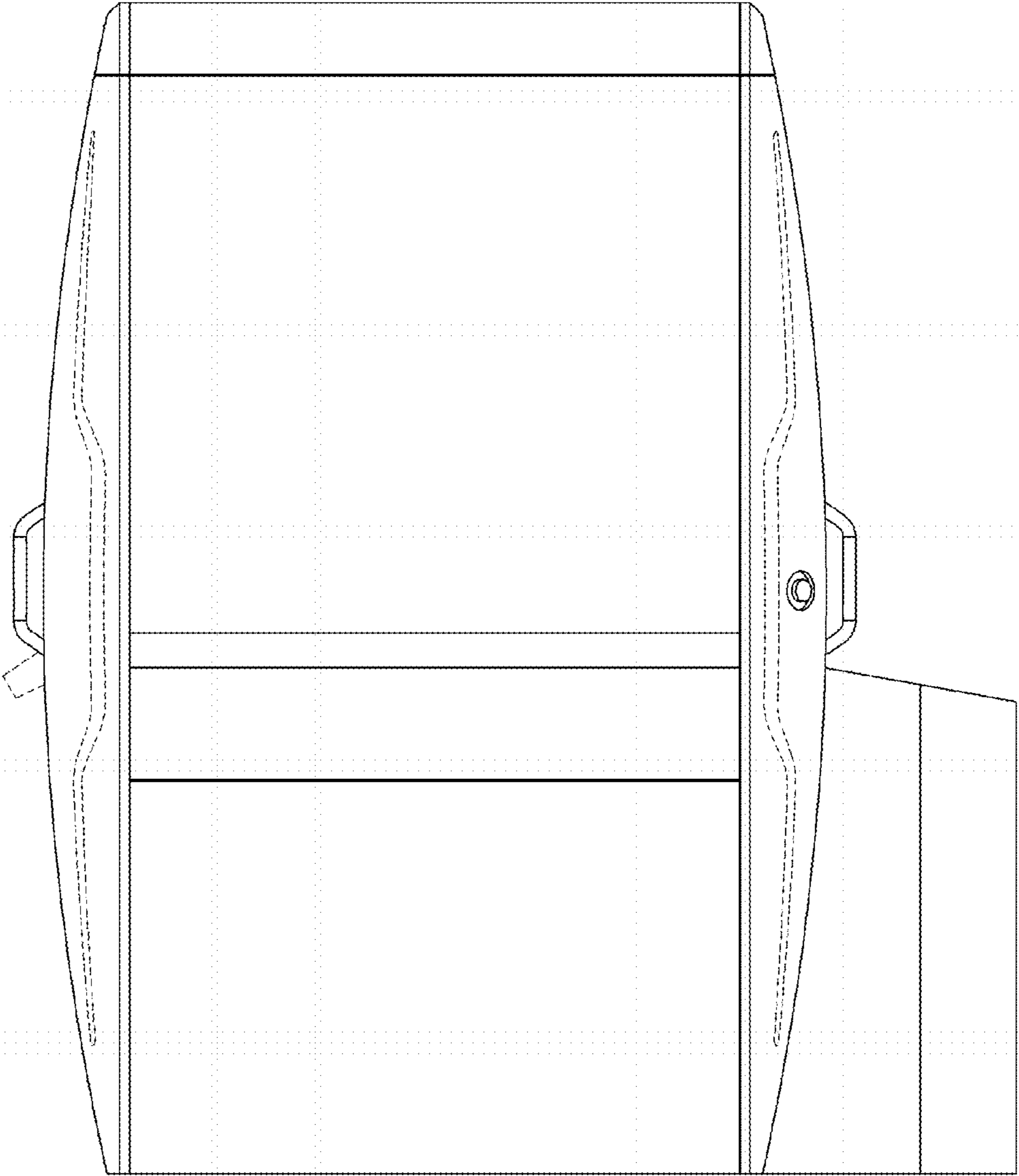


FIG. 3

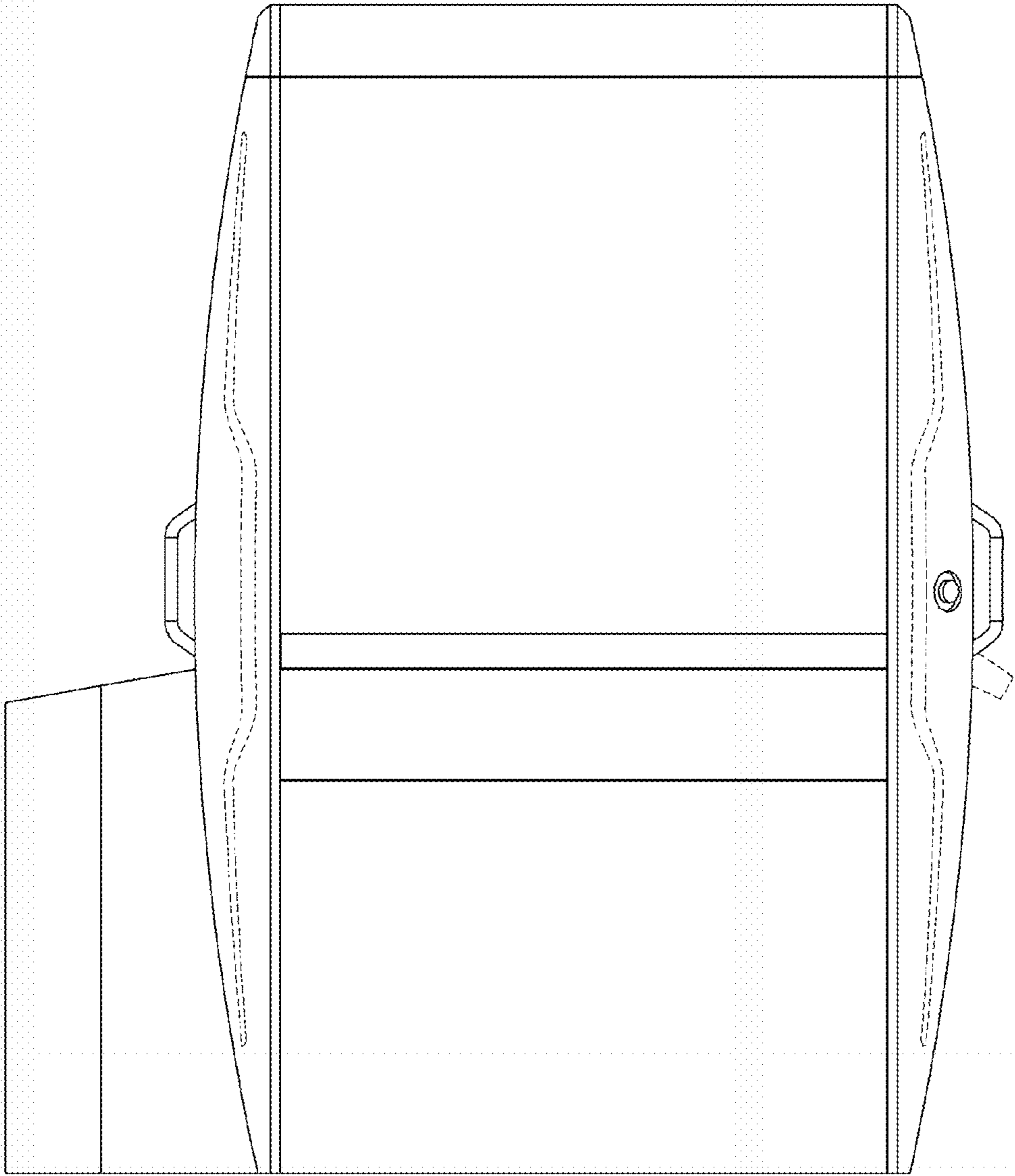


FIG. 4

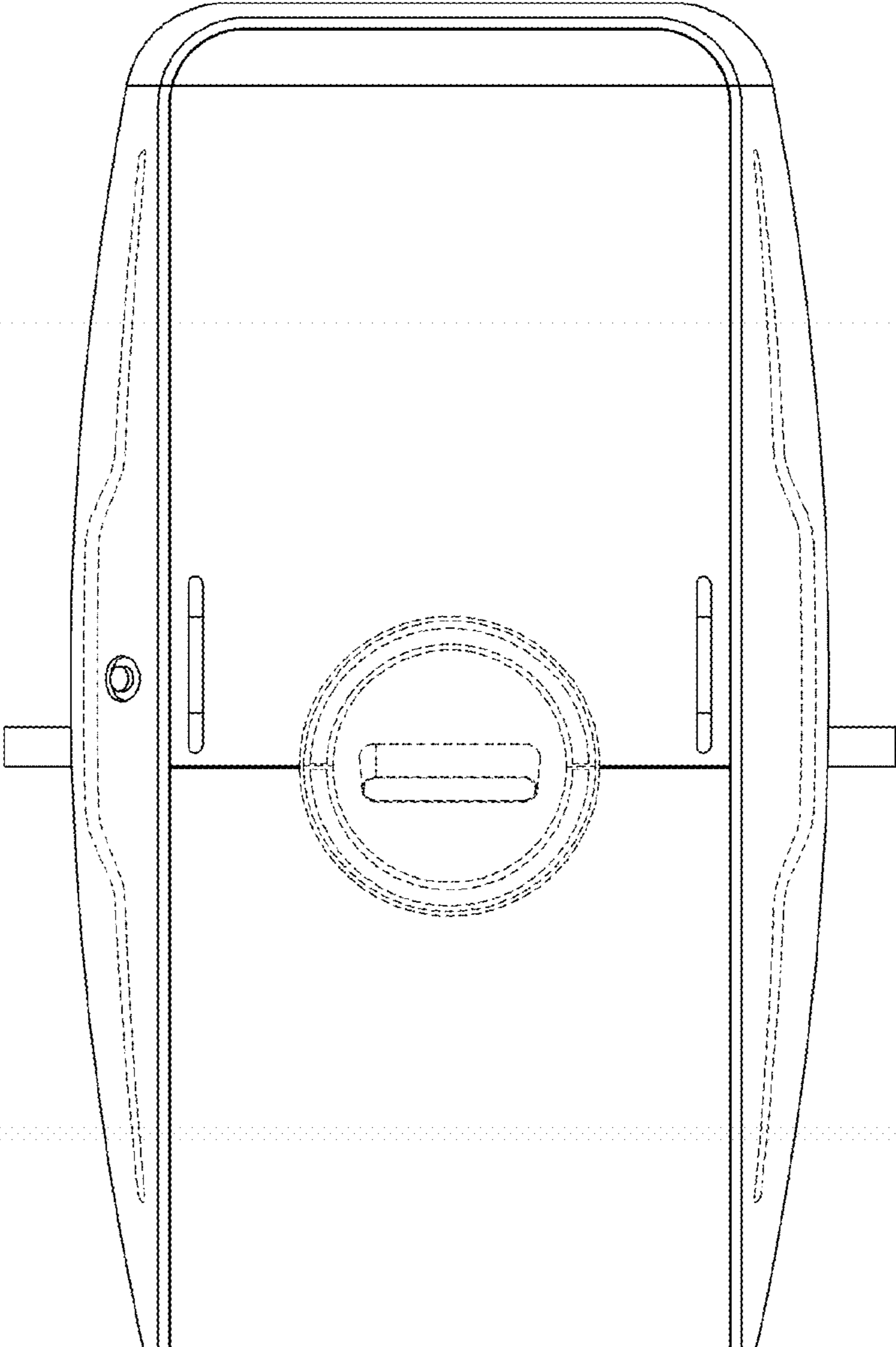


FIG. 5

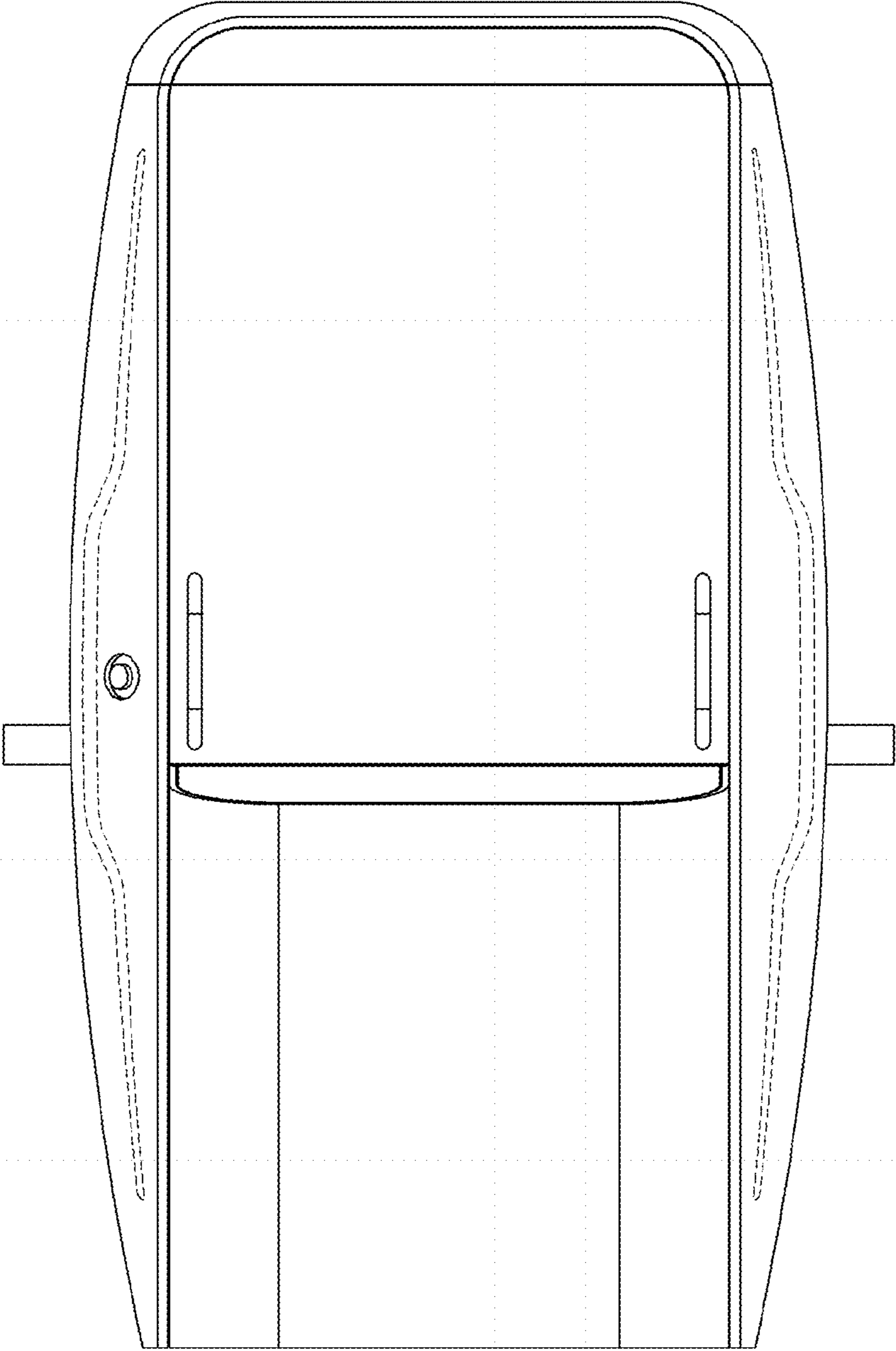


FIG. 6

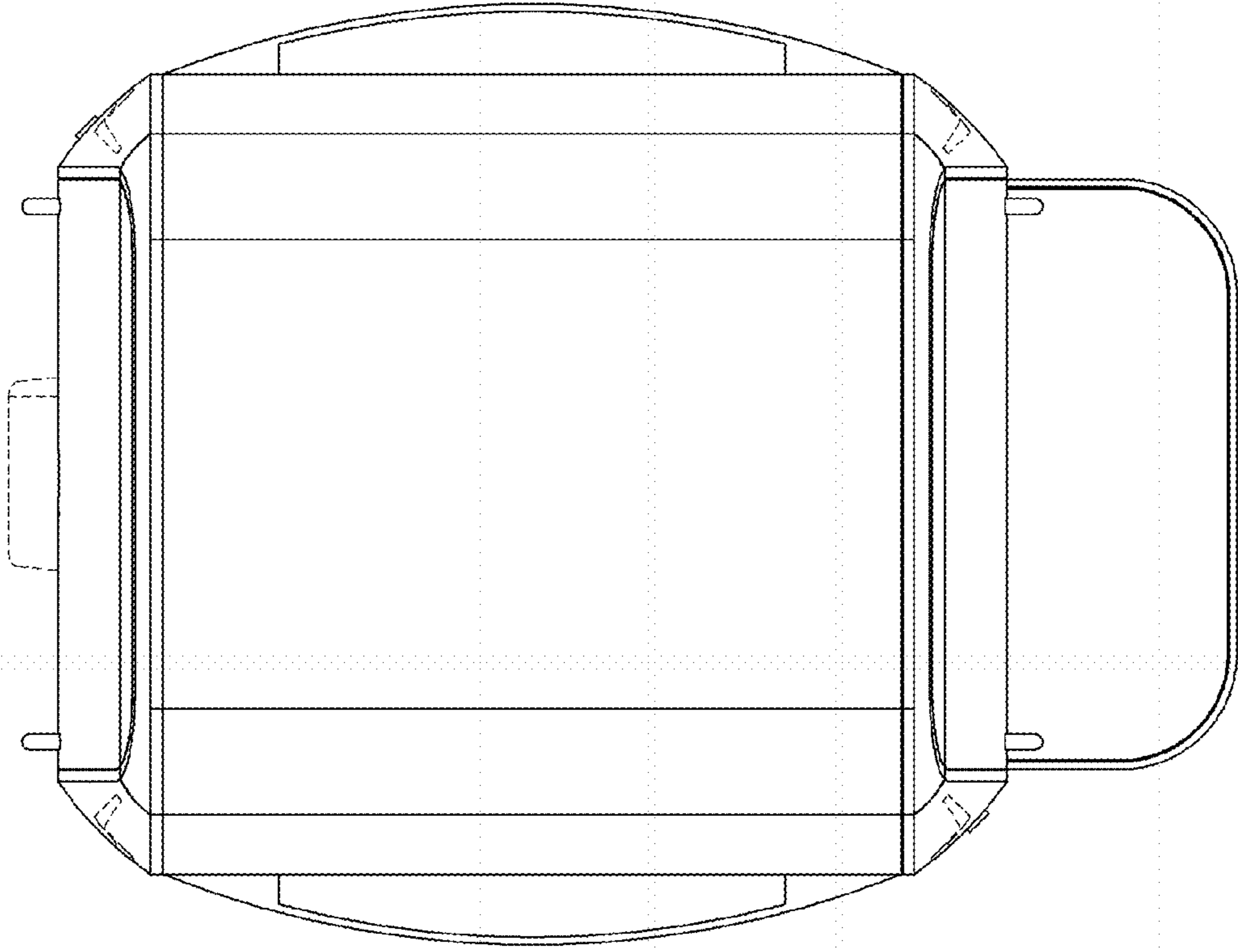


FIG. 7

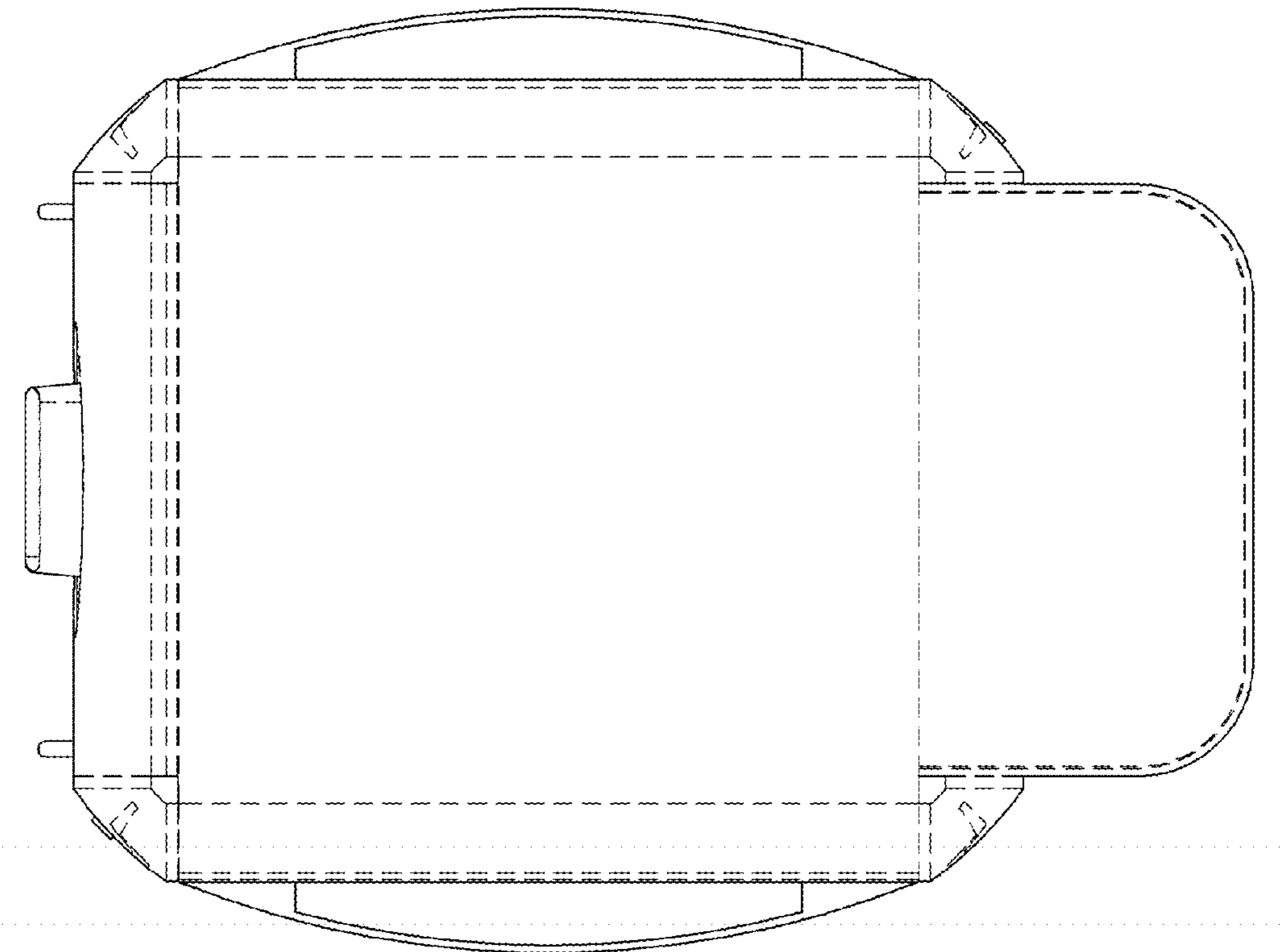


FIG. 8

