



US00D753736S

(12) **United States Design Patent**
Shinozaki

(10) **Patent No.:** **US D753,736 S**

(45) **Date of Patent:** **** Apr. 12, 2016**

(54) **DRESSER DISK**
(71) Applicant: **EBARA CORPORATION**, Tokyo (JP)
(72) Inventor: **Hiroyuki Shinozaki**, Tokyo (JP)
(73) Assignee: **EBARA CORPORATION**, Tokyo (JP)
(**) Term: **14 Years**
(21) Appl. No.: **29/508,998**
(22) Filed: **Nov. 13, 2014**

(30) **Foreign Application Priority Data**
May 15, 2014 (JP) 2014-010410
(51) **LOC (10) Cl.** **15-09**
(52) **U.S. Cl.**
USPC **D15/126**
(58) **Field of Classification Search**
USPC D8/62, 63; D14/299, 363, 368;
D15/122, 124, 125, 126; 15/88.2, 88.3,
15/102, 256.51; 51/7, 41; 144/16; 369/72;
451/2, 59, 60, 63, 72, 254, 258-262,
451/283, 287, 290, 291, 359, 446, 451, 459,
451/460

See application file for complete search history.

(56) **References Cited**
U.S. PATENT DOCUMENTS
2,225,193 A * 12/1940 Benner et al. 451/542
2,442,129 A * 5/1948 Hollstrom 451/548
2,799,977 A * 7/1957 Jones et al. 451/244
3,069,919 A * 12/1962 Schultz, Jr. 474/169
3,121,982 A * 2/1964 Miller 451/548
D243,664 S * 3/1977 Lyon D15/138
5,782,682 A * 7/1998 Han et al. 451/548
6,267,645 B1 * 7/2001 Burga et al. 451/41
6,386,963 B1 * 5/2002 Kenji et al. 451/443
7,131,900 B2 * 11/2006 Chou 451/520

7,175,514 B2 * 2/2007 Boyer et al. 451/389
7,267,608 B2 * 9/2007 Kramer 451/444
7,815,495 B2 * 10/2010 Xu et al. 451/443
7,824,498 B2 * 11/2010 Parkhe et al. 118/728
D654,384 S * 2/2012 McDonald D10/66
8,550,879 B2 * 10/2013 Chen et al. 451/56
D737,873 S * 9/2015 Shinozaki D15/126
D743,455 S * 11/2015 Shinozaki D15/126
D743,456 S * 11/2015 Shinozaki et al. D15/126
2008/0310932 A1 * 12/2008 McIntyre et al. 411/150

FOREIGN PATENT DOCUMENTS

CN 302617584 S 10/2013

OTHER PUBLICATIONS

Japanese Office action for Application No. 2012-023350 dated May 24, 2013.

* cited by examiner

Primary Examiner — Patricia Palasik
(74) *Attorney, Agent, or Firm* — Pearne & Gordon LLP

(57) **CLAIM**
The ornamental design for a dresser disk, as shown and described.

DESCRIPTION

FIG. 1 is a perspective view, observed from a plane side of a dresser disk showing our new design;
FIG. 2 is a perspective view, observed from a bottom side thereof;
FIG. 3 is a plan view thereof;
FIG. 4 is a bottom view thereof;
FIG. 5 is a right side view thereof, wherein the front elevation view, rear elevation view, and left side view are all identical thereto; and,
FIG. 6 is a cross-section view taking along the line 6-6 of FIG. 3 thereof.

1 Claim, 3 Drawing Sheets

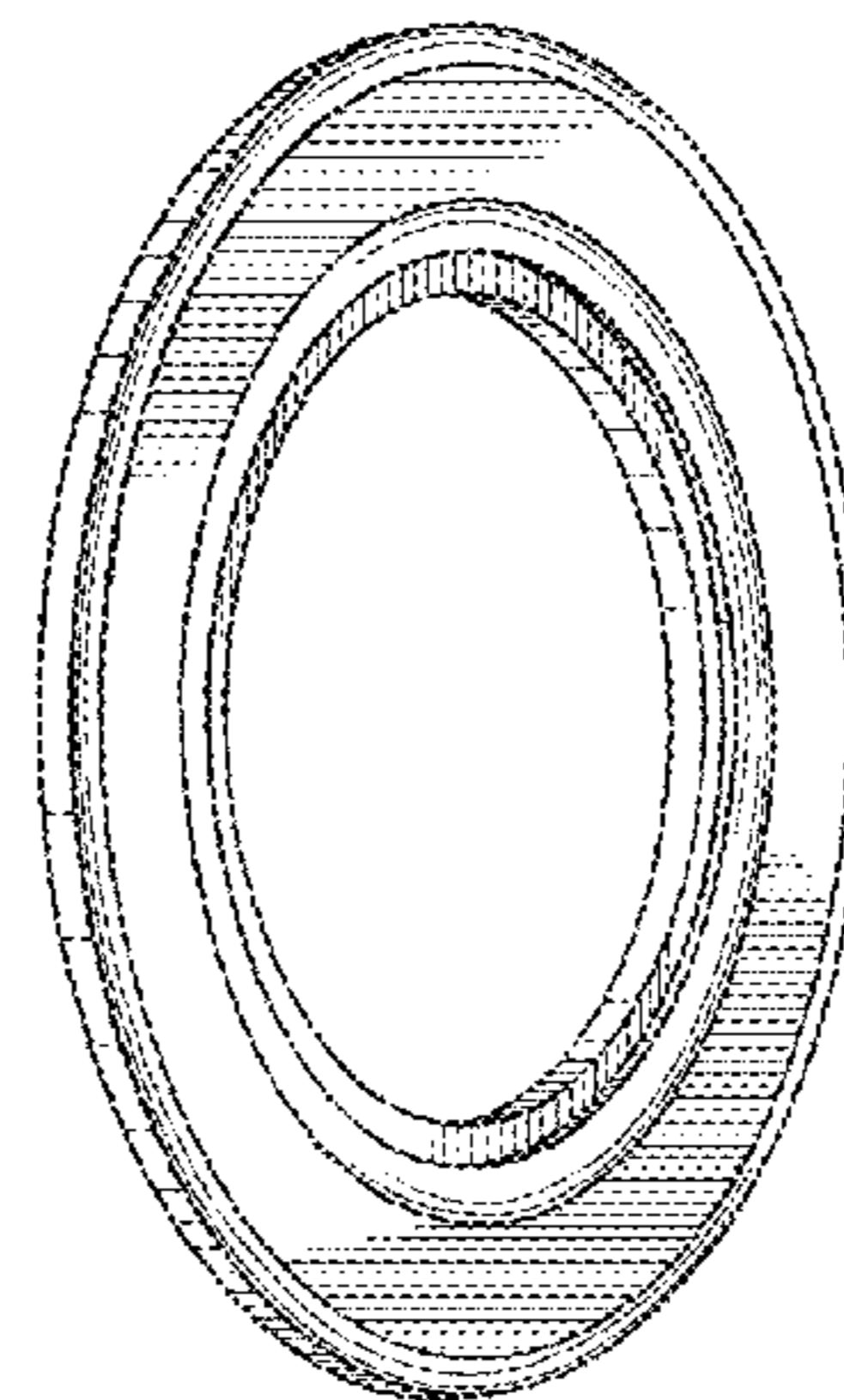
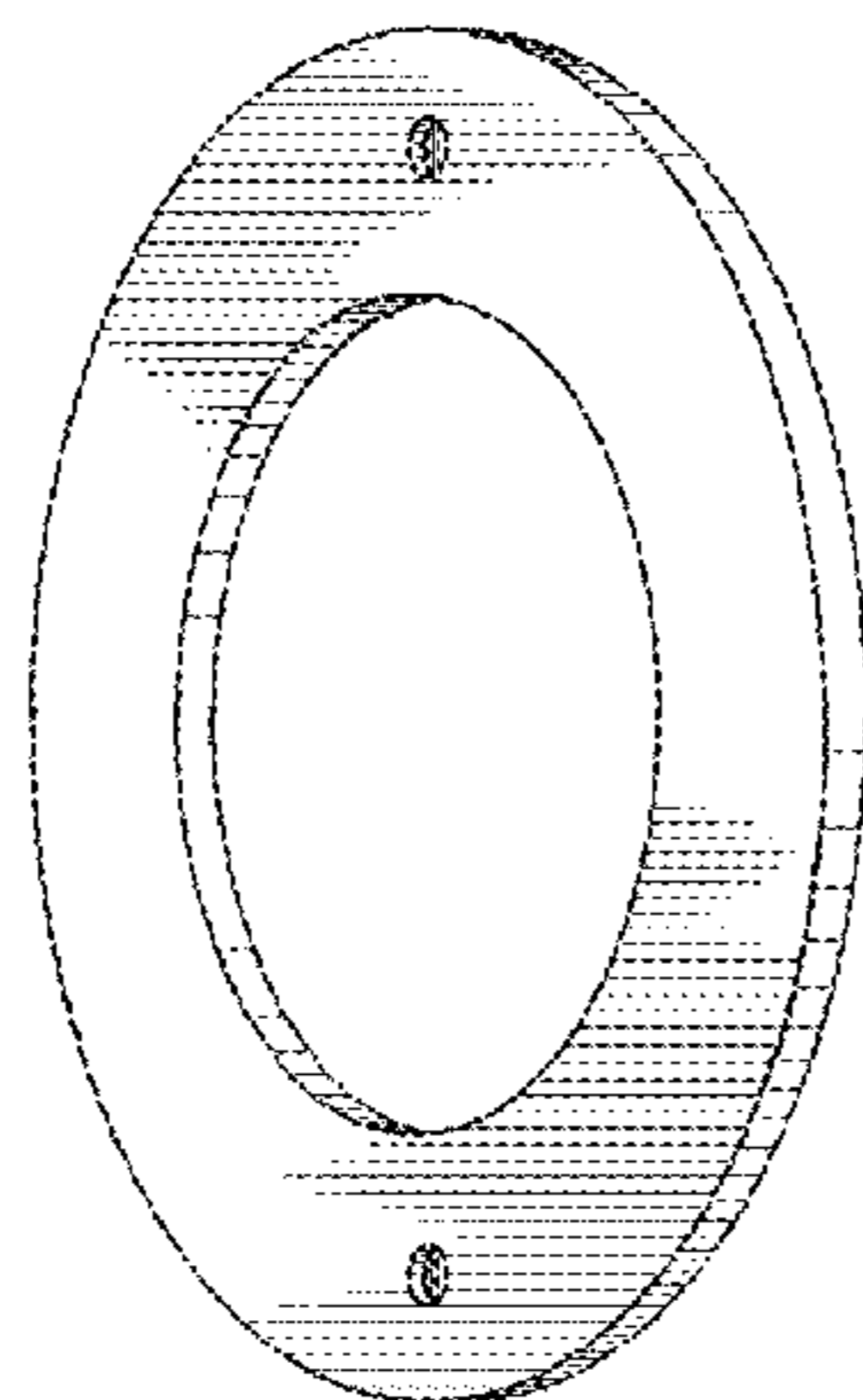


FIG. 1

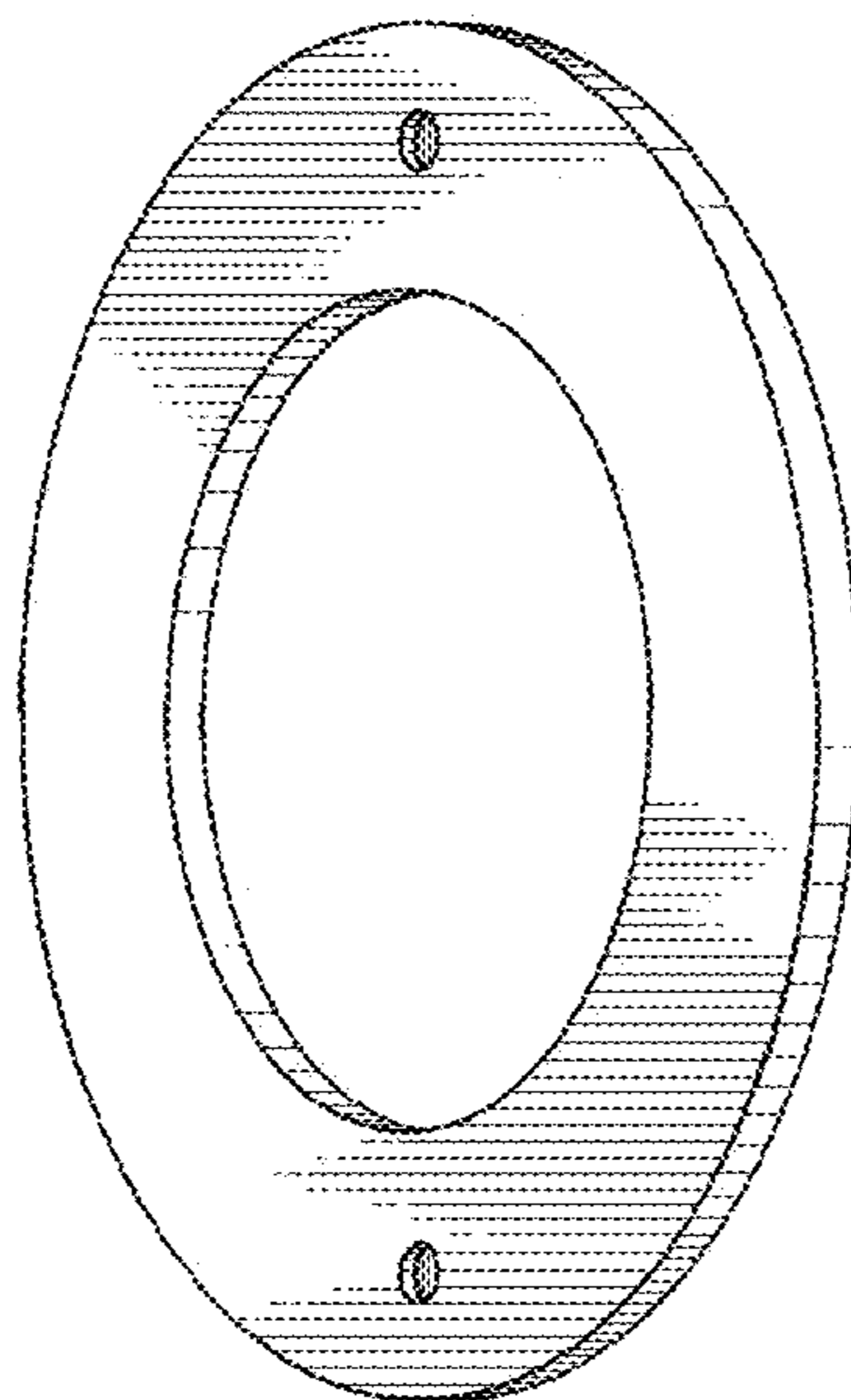


FIG. 2

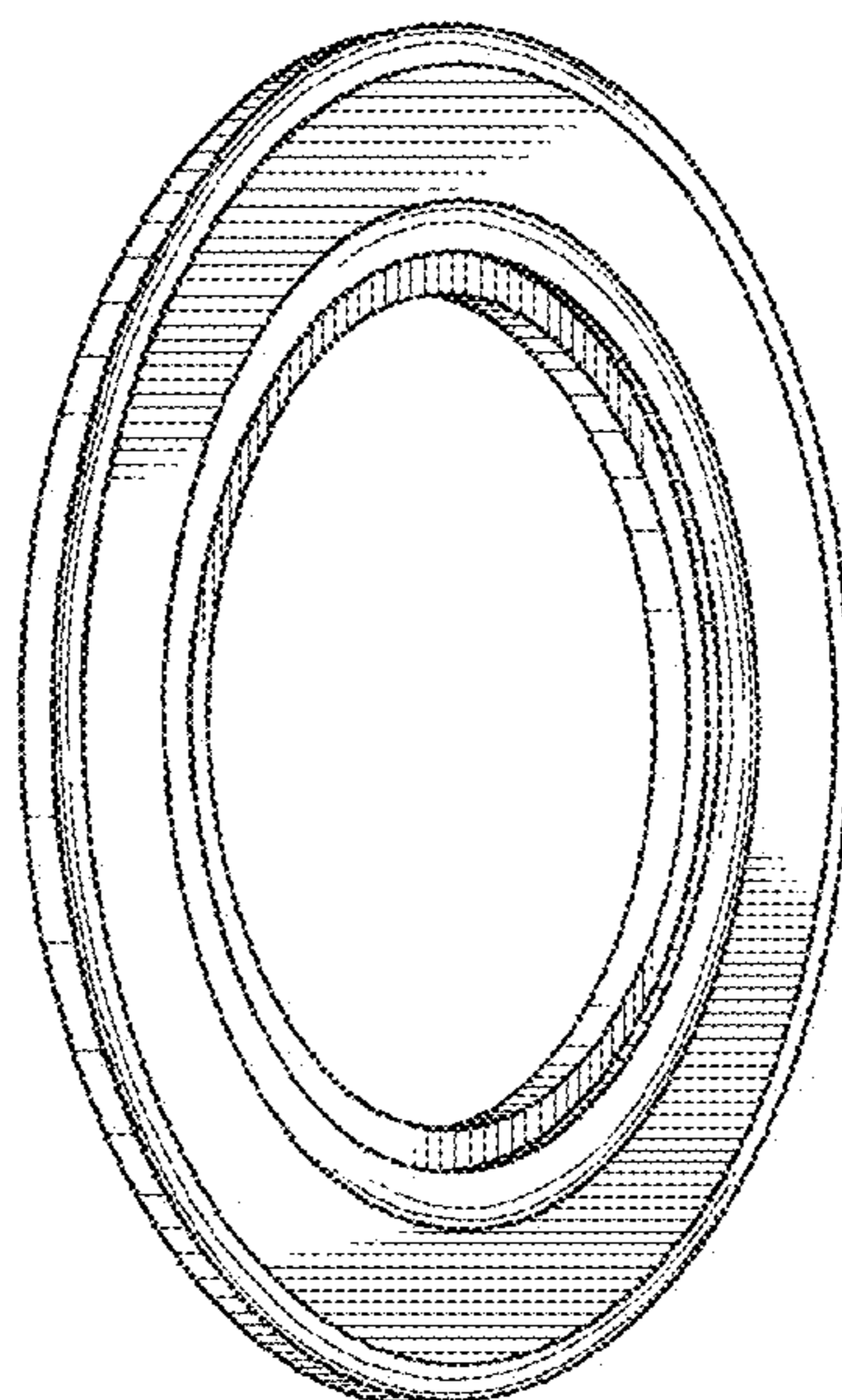


FIG. 3

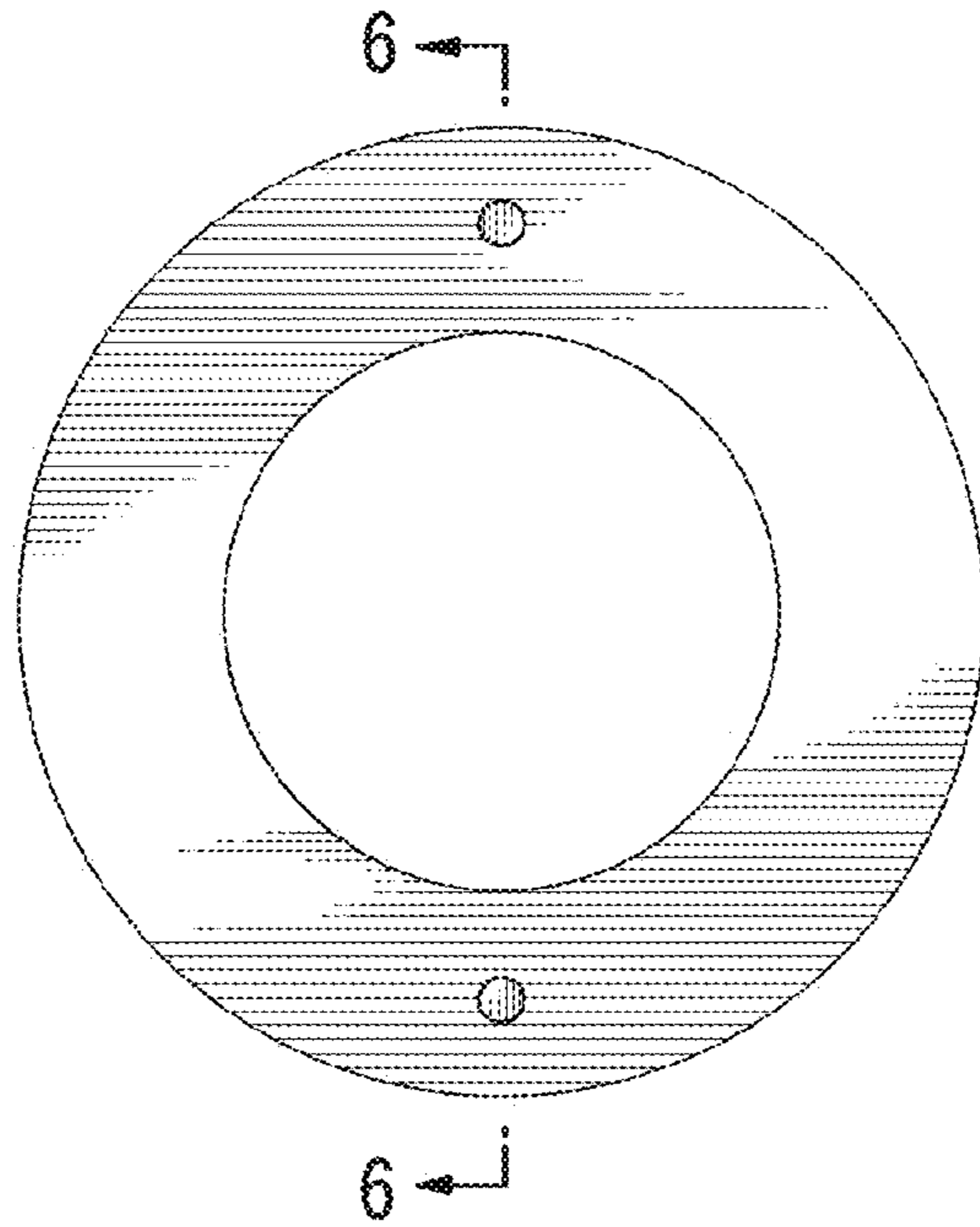


FIG. 4

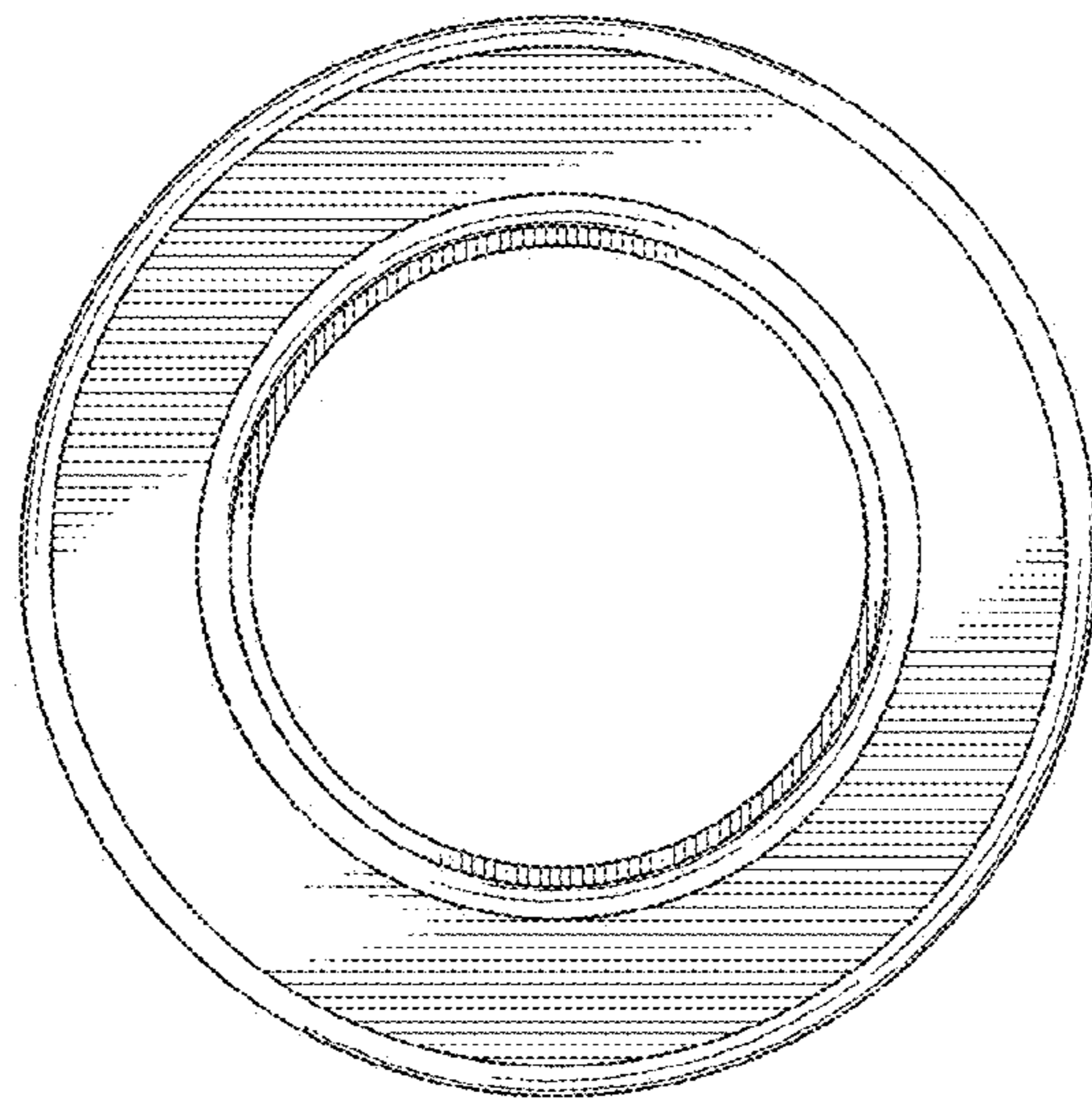


FIG. 5

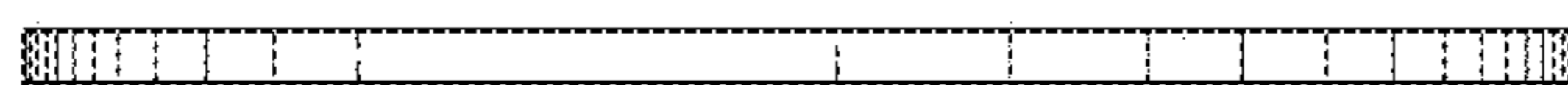


FIG. 6

