



US00D753735S

(12) **United States Design Patent**  
**Shimano et al.**

(10) **Patent No.:** **US D753,735 S**  
(45) **Date of Patent:** **\*\* Apr. 12, 2016**

(54) **ELECTRIC DISCHARGE MACHINE**

(56) **References Cited**

(71) Applicant: **Mitsubishi Electric Corporation,**  
Tokyo (JP)

U.S. PATENT DOCUMENTS

(72) Inventors: **Hiroichiro Shimano,** Tokyo (JP); **Yoji Nakajima,** Tokyo (JP)

D286,407	S	*	10/1986	Itoh et al.	.....	D15/127
D388,103	S	*	12/1997	Gotou et al.	.....	D15/127
5,914,054	A	*	6/1999	Ito et al.	.....	219/69.11
D427,614	S	*	7/2000	Miyake et al.	.....	D15/127
D551,268	S	*	9/2007	Iwamoto et al.	.....	D15/127
D668,277	S	*	10/2012	Miyake et al.	.....	D15/127
D668,278	S	*	10/2012	Miyake et al.	.....	D15/127
D701,253	S	*	3/2014	Thoma	.....	D15/127
D716,857	S	*	11/2014	Shimano et al.	.....	D15/127

(73) Assignee: **MITSUBISHI ELECTRIC CORPORATION,** Tokyo (JP)

\* cited by examiner

(\*\*) Term: **14 Years**

*Primary Examiner* — Patricia Palasik

(21) Appl. No.: **29/526,442**

(74) *Attorney, Agent, or Firm* — Studebaker & Brackett PC

(22) Filed: **May 8, 2015**

(57) **CLAIM**

The ornamental design for an electric discharge machine, as shown and described.

**Related U.S. Application Data**

**DESCRIPTION**

(62) Division of application No. 29/495,408, filed on Jun. 30, 2014, now Pat. No. Des. 736,839.

FIG. 1 is a perspective view of the front, right, and top sides of an electric discharge machine showing a second embodiment of our new design;

(30) **Foreign Application Priority Data**

Mar. 28, 2014 (JP) ..... 2014-006687

Mar. 28, 2014 (JP) ..... 2014-006688

FIG. 2 is a front view thereof;

FIG. 3 is a rear view thereof;

FIG. 4 is a left side view thereof;

FIG. 5 is a right side view thereof;

FIG. 6 is a top view thereof; and,

FIG. 7 is a sectional view taken along line 7-7 in FIG. 2 with the interior mechanisms omitted.

(51) **LOC (10) Cl.** ..... **15-09**

(52) **U.S. Cl.**  
USPC ..... **D15/122; D15/127**

The broken lines shown represent unclaimed subject matter of electric discharge machine and form no part of the claimed design.

(58) **Field of Classification Search**  
USPC ..... D15/122, 127, 130  
See application file for complete search history.

The bottom views of the above two-embodiments are omitted, since they show no ornamental features.

**1 Claim, 7 Drawing Sheets**

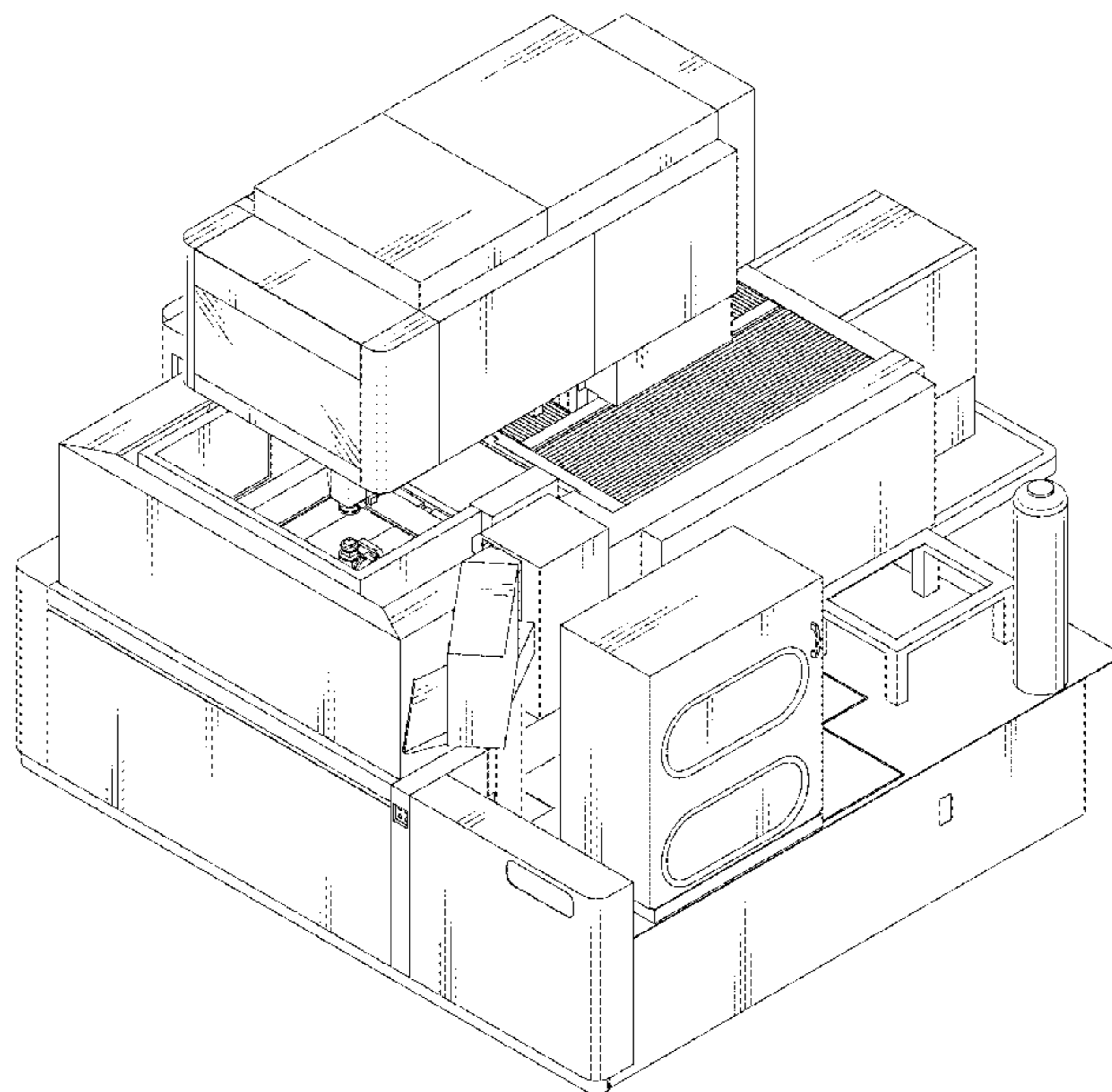


Fig. 1

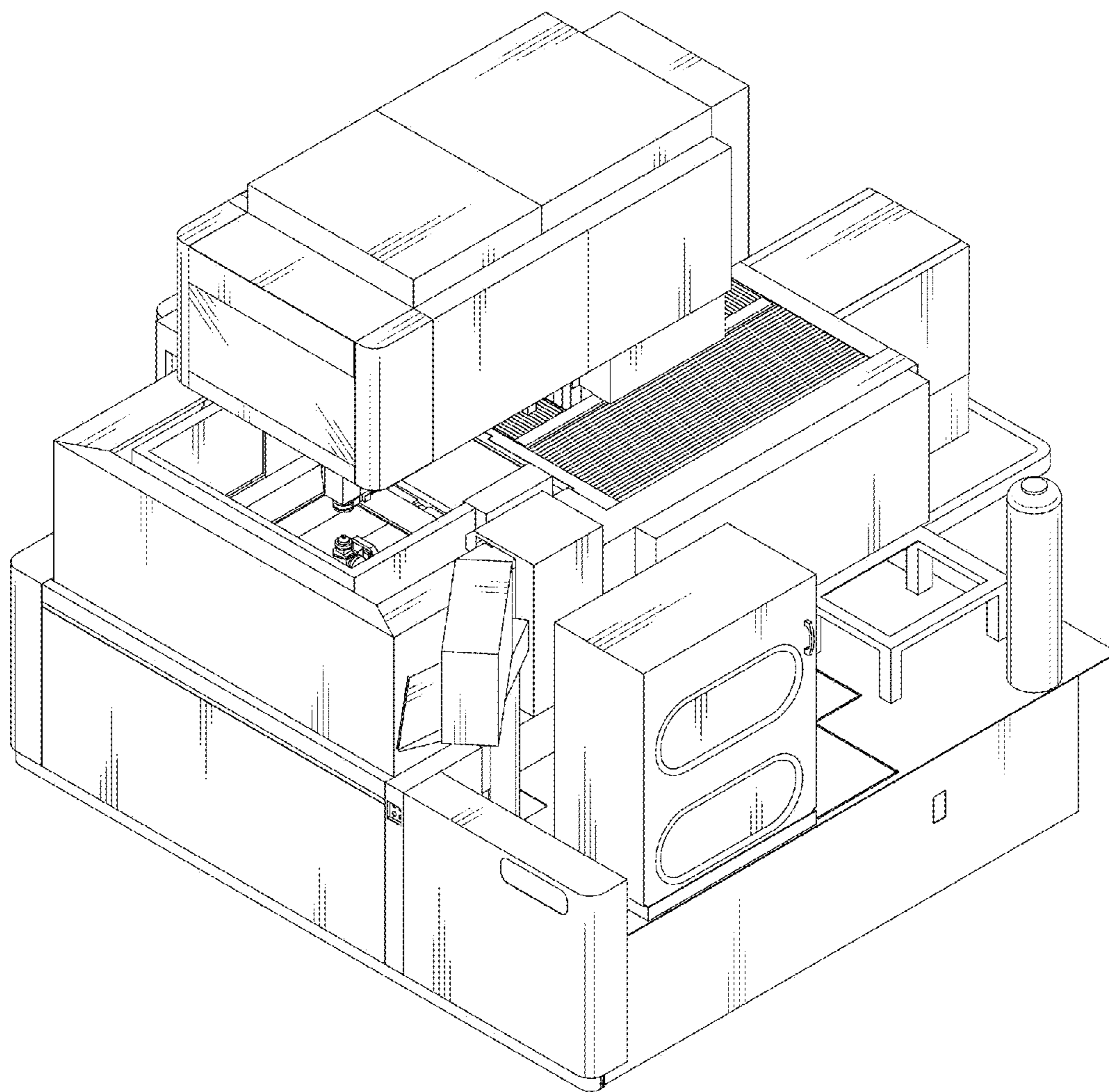


Fig. 2

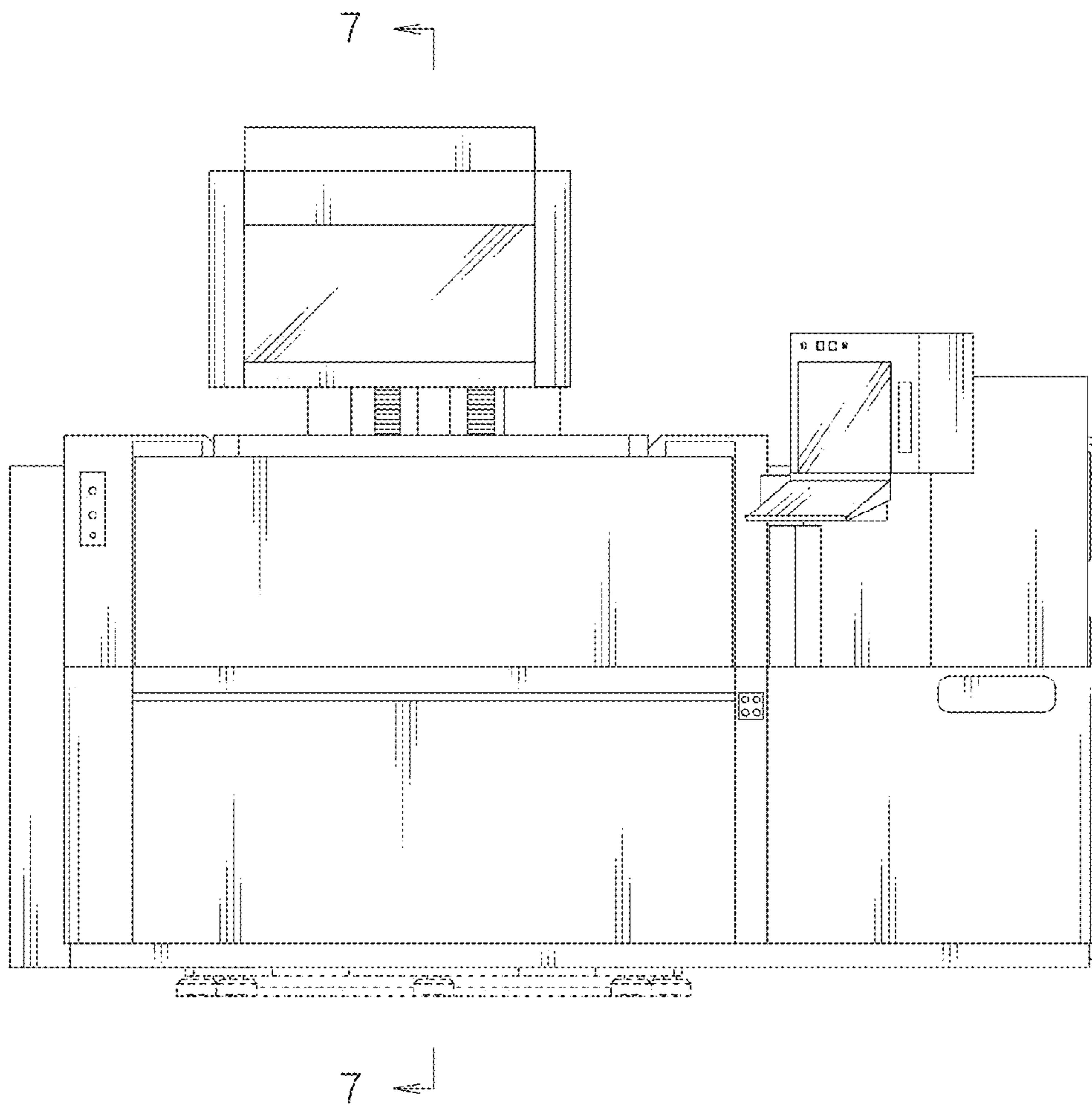


Fig. 3

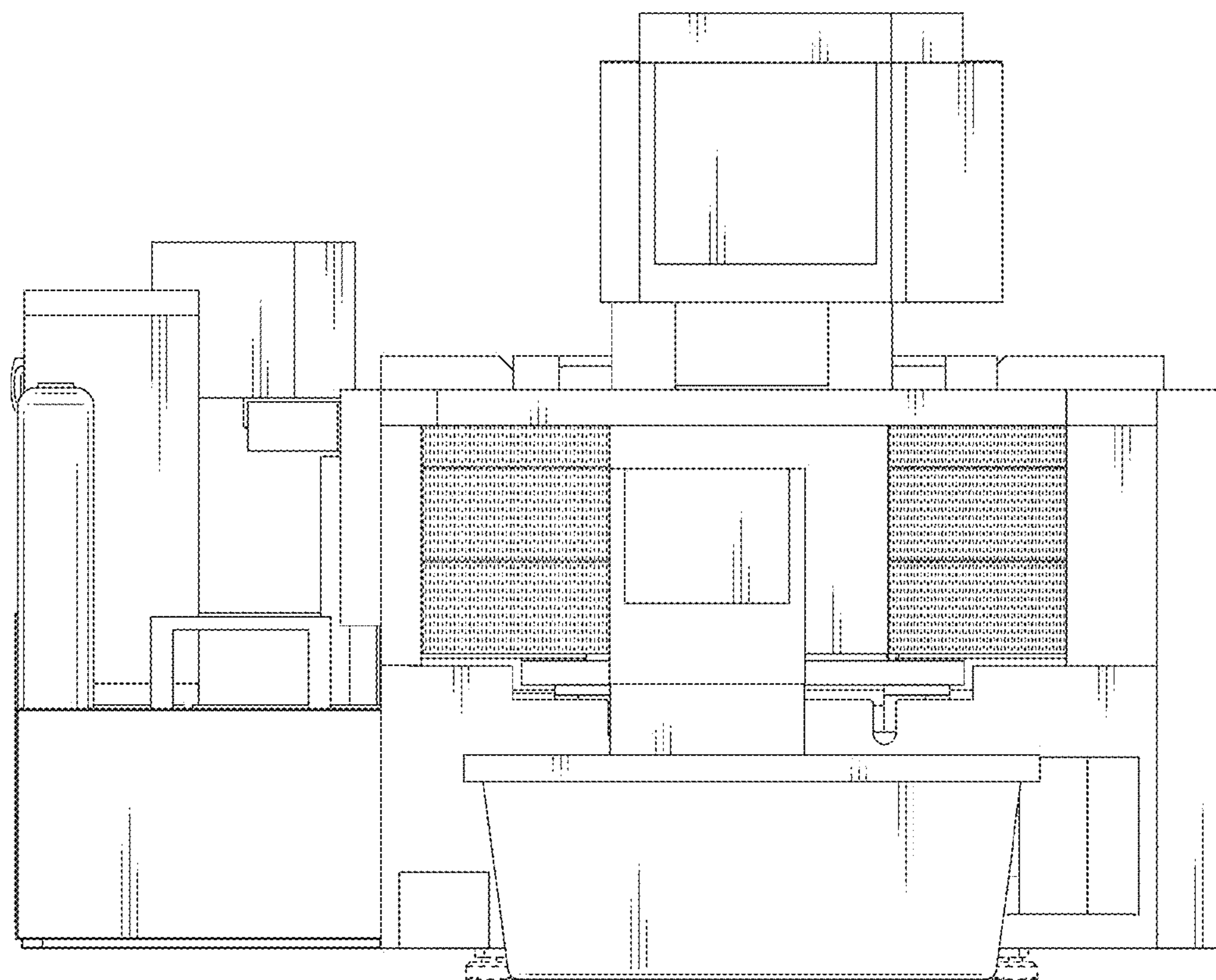


Fig. 4

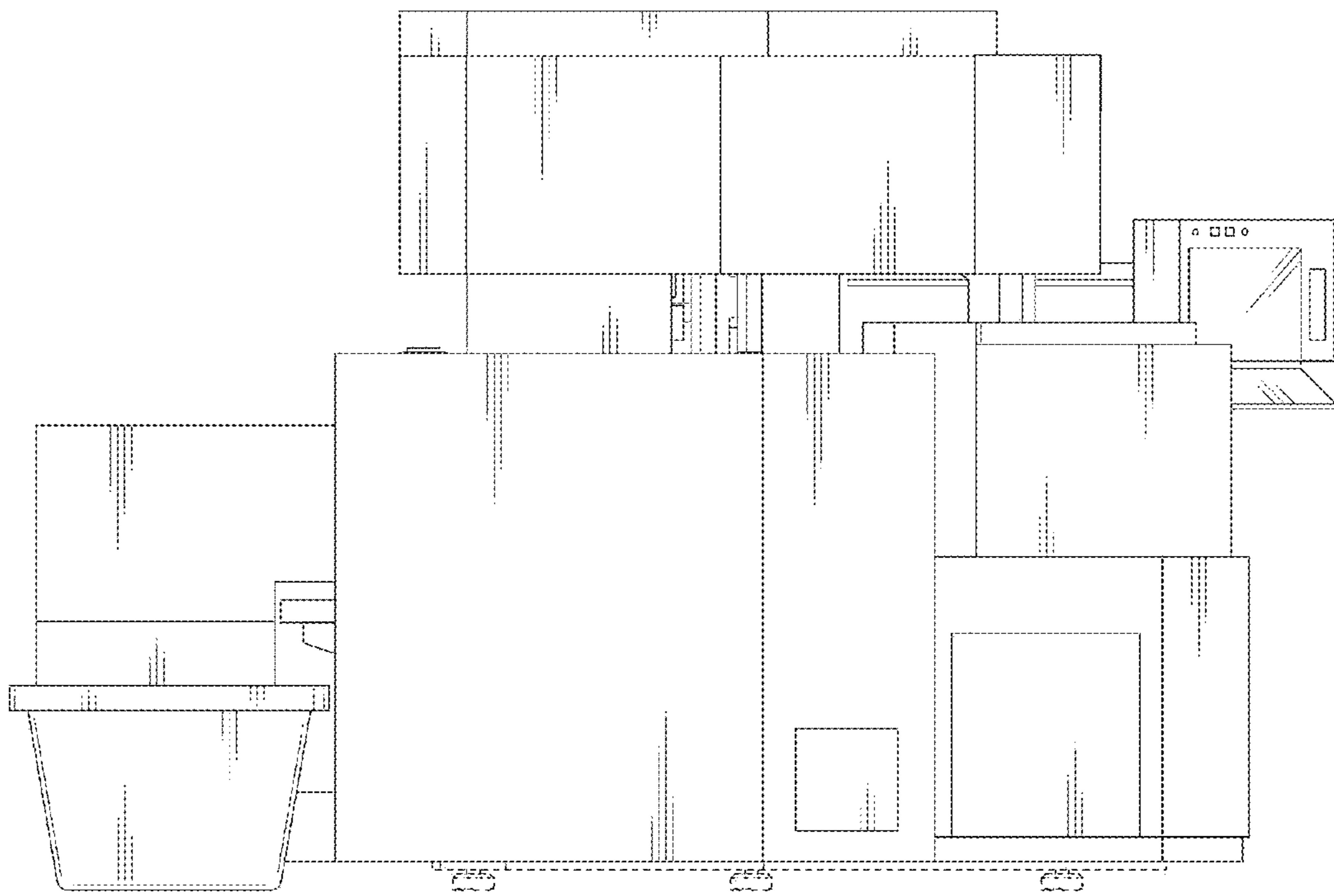


Fig. 5

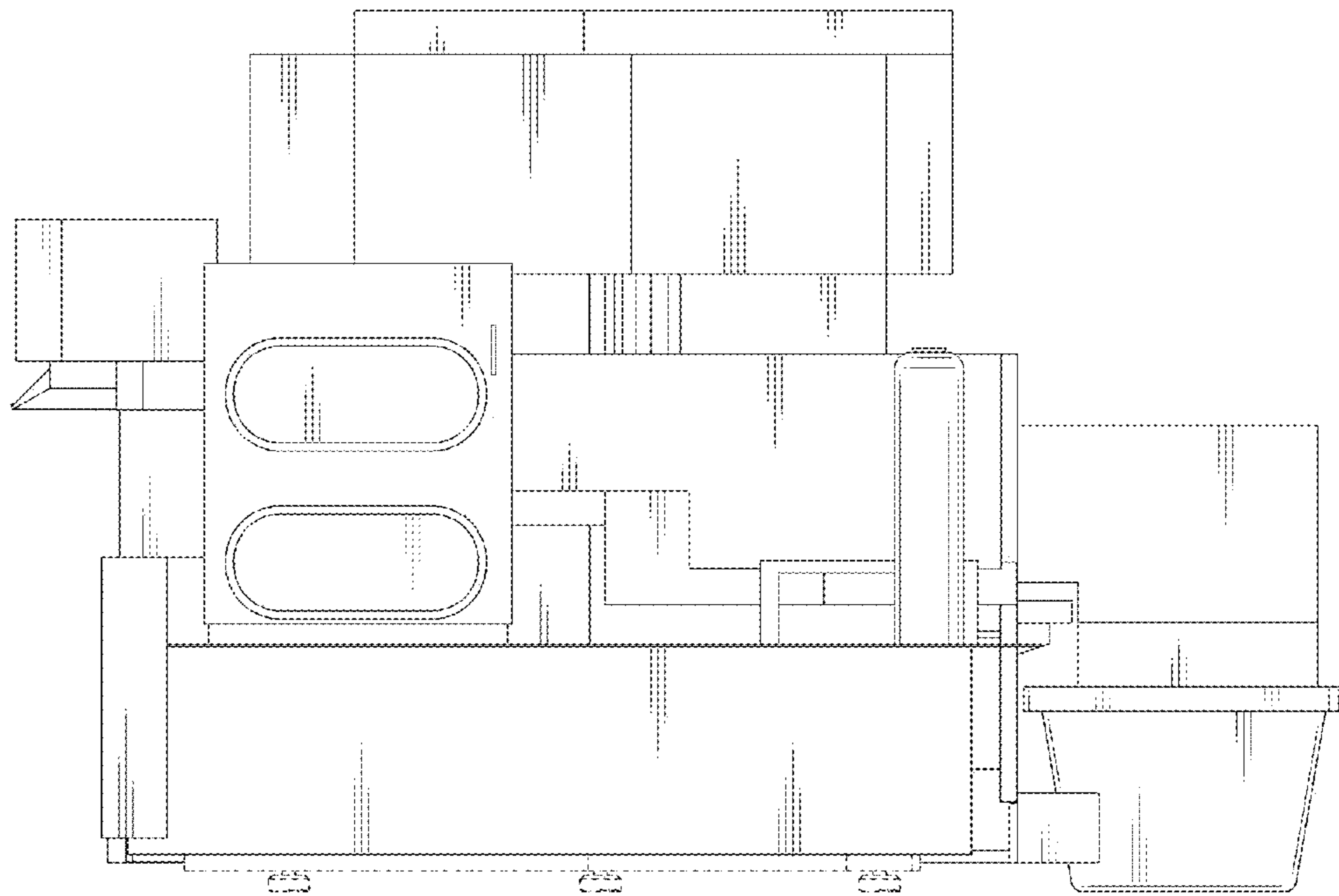


Fig. 6

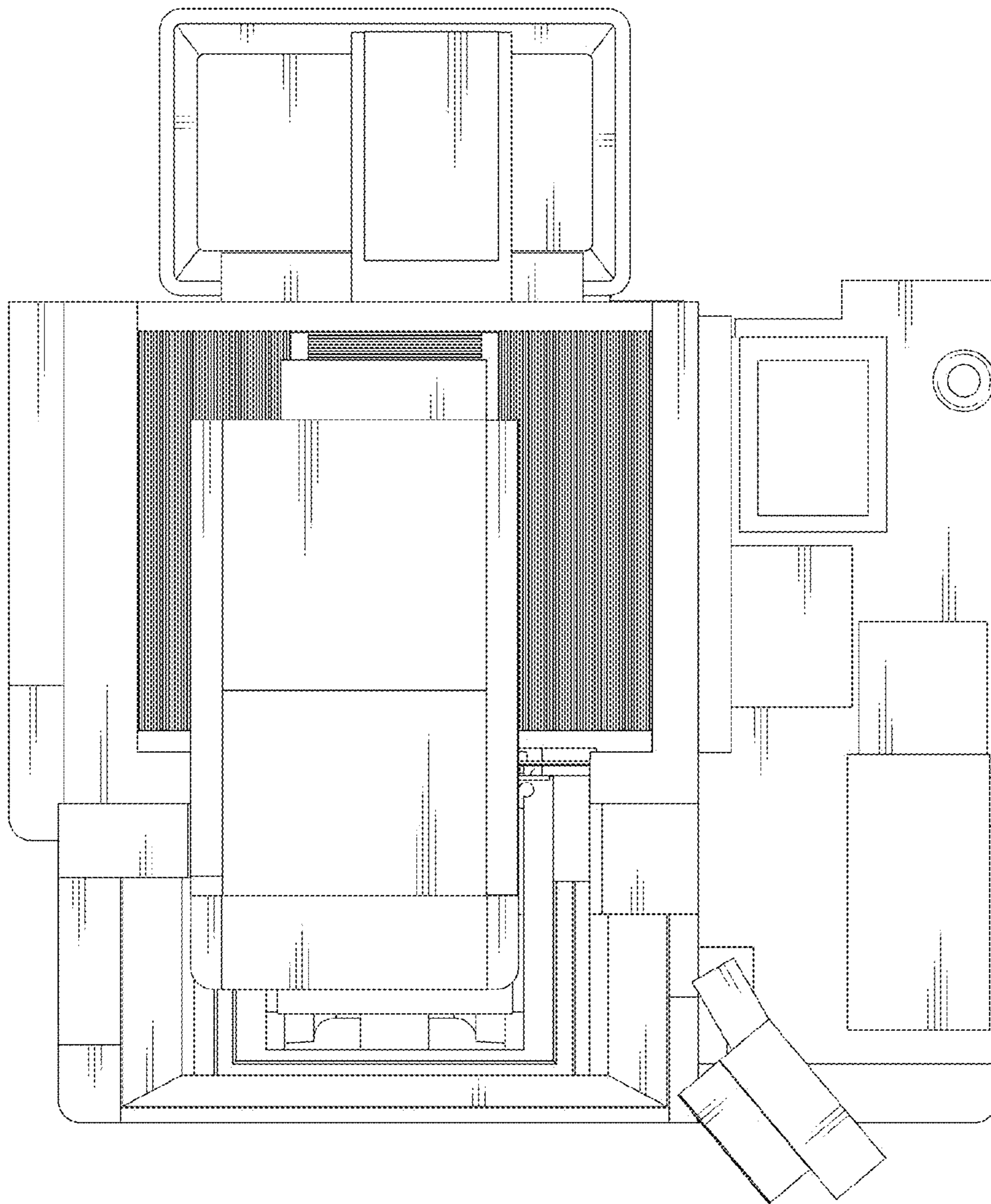


Fig. 7

