



US00D753733S

(12) **United States Design Patent**  
**Schönherr et al.**

(10) **Patent No.:** **US D753,733 S**  
(45) **Date of Patent:** **\*\* Apr. 12, 2016**

(54) **MACHINE COVER**

(71) Applicant: **TRUMPF GmbH + Co. KG**, Ditzingen (DE)

(72) Inventors: **Tom Schönherr**, Stuttgart (DE);  
**Andreas Diefenbach**,  
Ludwigsburg-Oßweil (DE); **Dina Gallo**,  
Stuttgart (DE)

(73) Assignee: **TRUMPF GmbH + Co. KG**, Ditzingen (DE)

(\*\*) Term: **14 Years**

(21) Appl. No.: **29/510,311**

(22) Filed: **Nov. 26, 2014**

(30) **Foreign Application Priority Data**

May 28, 2014 (EM) ..... 002472712-0008  
May 28, 2014 (EM) ..... 002472712-0009

(51) **LOC (10) Cl.** ..... **15-09**

(52) **U.S. Cl.**  
USPC ..... **D15/122; D15/138**

(58) **Field of Classification Search**  
USPC ..... D15/122, 124, 127, 128, 130, 131  
See application file for complete search history.

(56) **References Cited**

**U.S. PATENT DOCUMENTS**

D265,912 S \* 8/1982 Frenkel ..... D15/138  
D319,834 S \* 9/1991 Rutschle ..... D15/131  
D347,645 S \* 6/1994 Miller ..... D15/147  
5,392,501 A \* 2/1995 Sonnek ..... B23B 3/164  
29/27 C  
D409,857 S \* 5/1999 Ward ..... D21/370  
6,082,939 A \* 7/2000 Nakashima ..... B23Q 1/58  
409/134

D437,975 S \* 2/2001 Holscher ..... D28/54.1  
D464,363 S \* 10/2002 Saito ..... D15/122  
D472,250 S \* 3/2003 Mariotta ..... D15/127  
D489,077 S \* 4/2004 Bloch ..... D15/122  
D517,345 S \* 3/2006 Verbeek ..... D6/668  
D635,596 S \* 4/2011 Hiroshima ..... D15/122  
D657,587 S \* 4/2012 Coluuci ..... D6/671.1  
D671,969 S \* 12/2012 Yang ..... D15/122  
D688,080 S \* 8/2013 Kalik ..... D7/307  
D693,380 S \* 11/2013 Mueller ..... D15/122  
D703,978 S \* 5/2014 Suthmann ..... D6/669  
D712,676 S \* 9/2014 Flora ..... D6/384  
D727,379 S \* 4/2015 Mueller ..... D15/122  
D731,037 S \* 6/2015 Ouyang ..... D23/286  
2008/0025015 A1 \* 1/2008 Seitz ..... B23Q 11/0891  
362/89  
2008/0168860 A1 \* 7/2008 Nishi ..... B23Q 11/0891  
74/616  
2013/0268108 A1 \* 10/2013 Ogawa ..... G05B 19/4063  
700/174

\* cited by examiner

*Primary Examiner* — Patricia Palasik

(74) *Attorney, Agent, or Firm* — Fish & Richardson P.C.

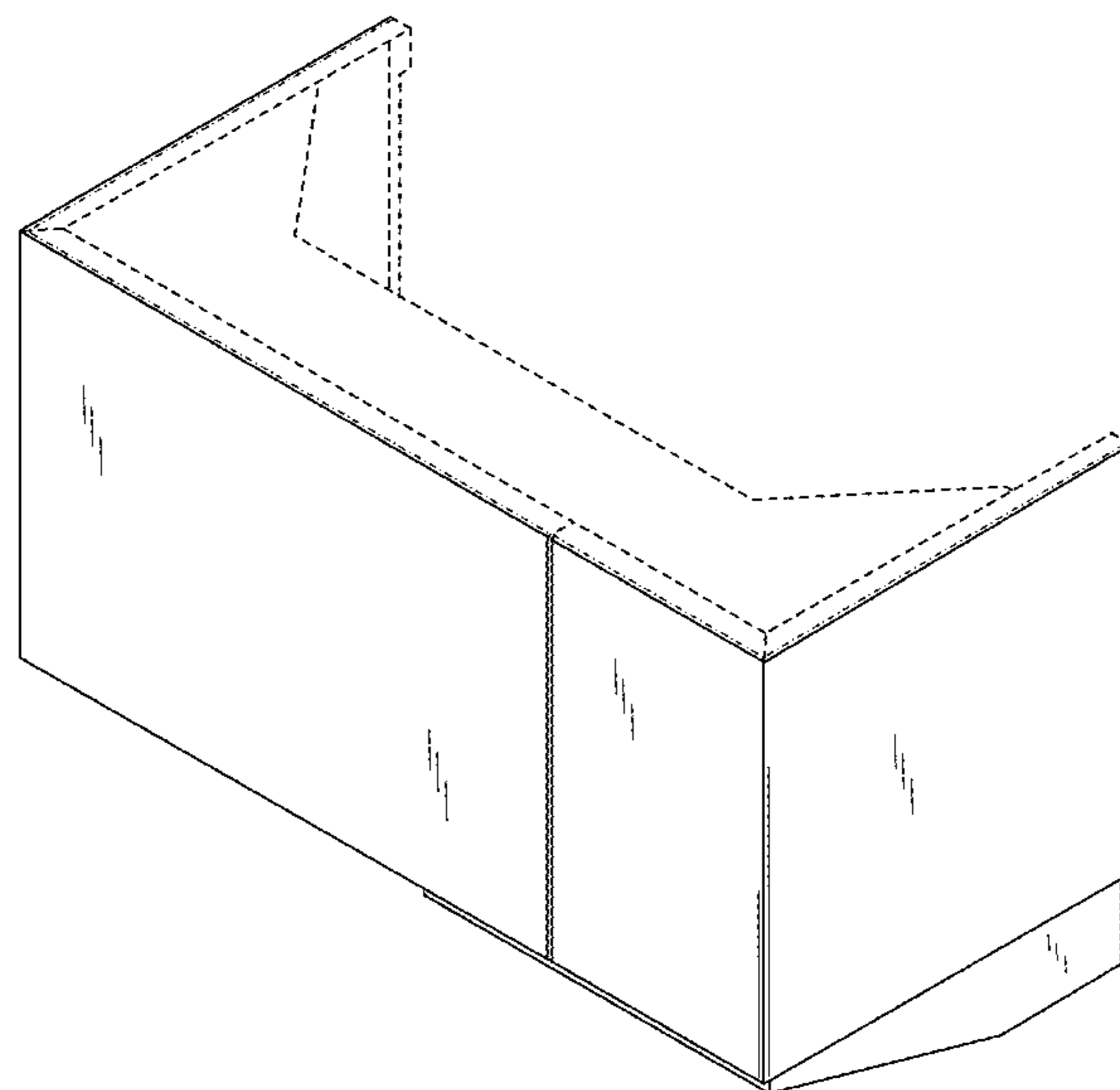
(57) **CLAIM**

The ornamental design for a machine cover, substantially as shown and described.

**DESCRIPTION**

FIG. 1 is a perspective view of our design.  
FIG. 2 is a front view of our design.  
FIG. 3 is a rear view of our design.  
FIG. 4 is a left side view of our design.  
FIG. 5 is a right side view of our design.  
FIG. 6 is a top view of our design; and,  
FIG. 7 is a bottom view of our design.  
The broken (dash) lines illustrate graphical environmental features that form no part of the claimed design. The broken (dot-dash) lines illustrate boundaries of the claimed design.

**1 Claim, 4 Drawing Sheets**



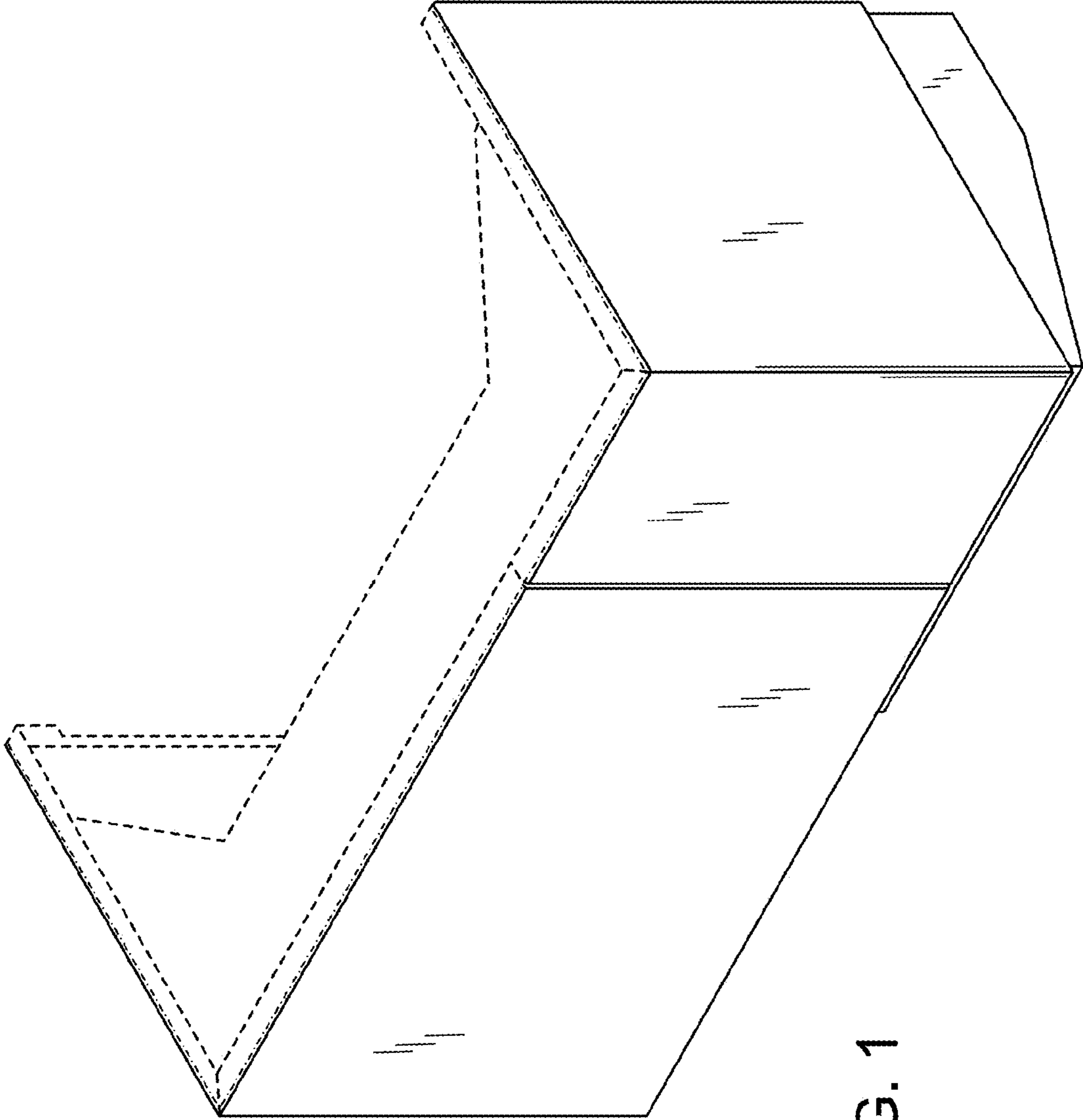


FIG. 1

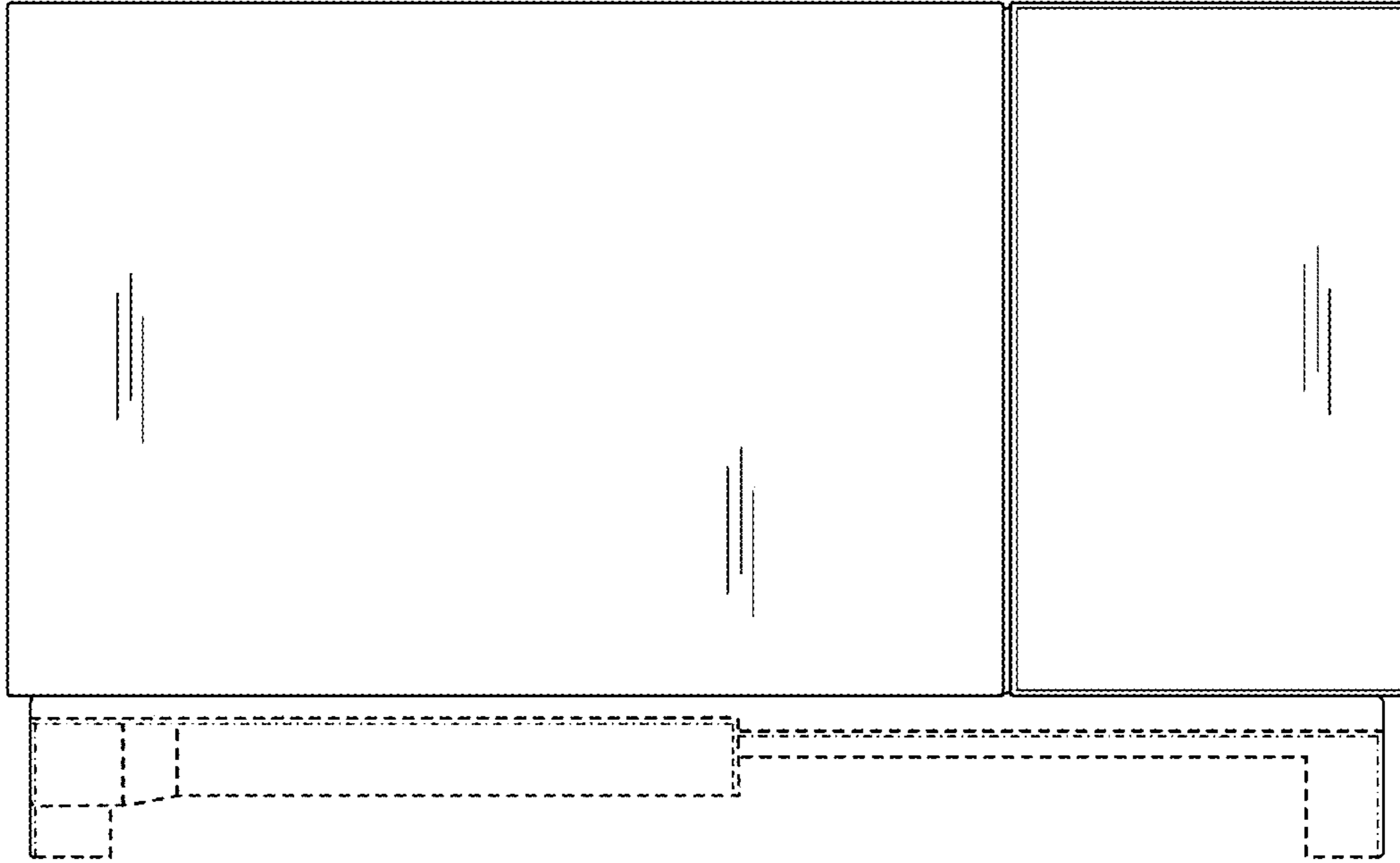


FIG. 2

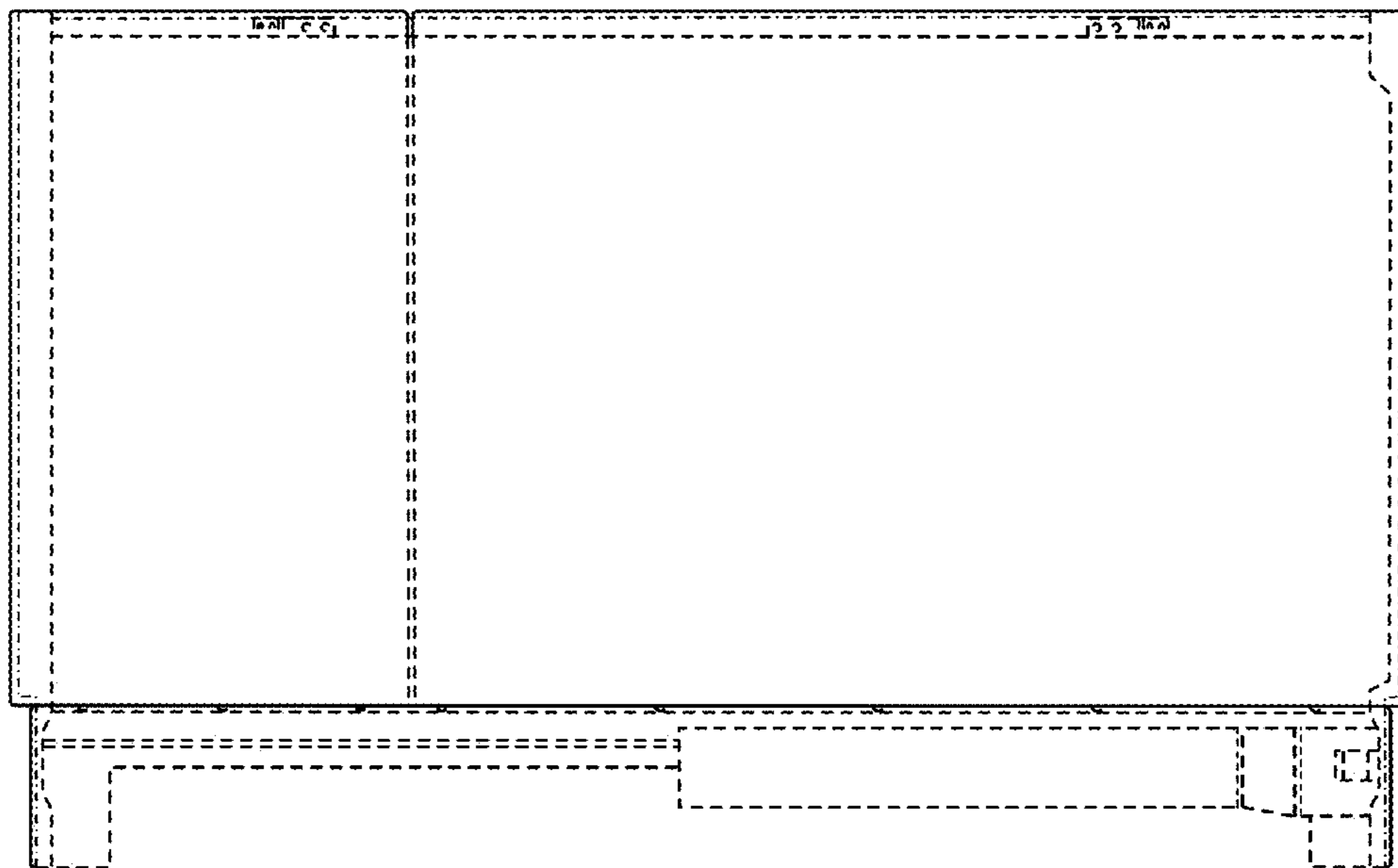


FIG. 3

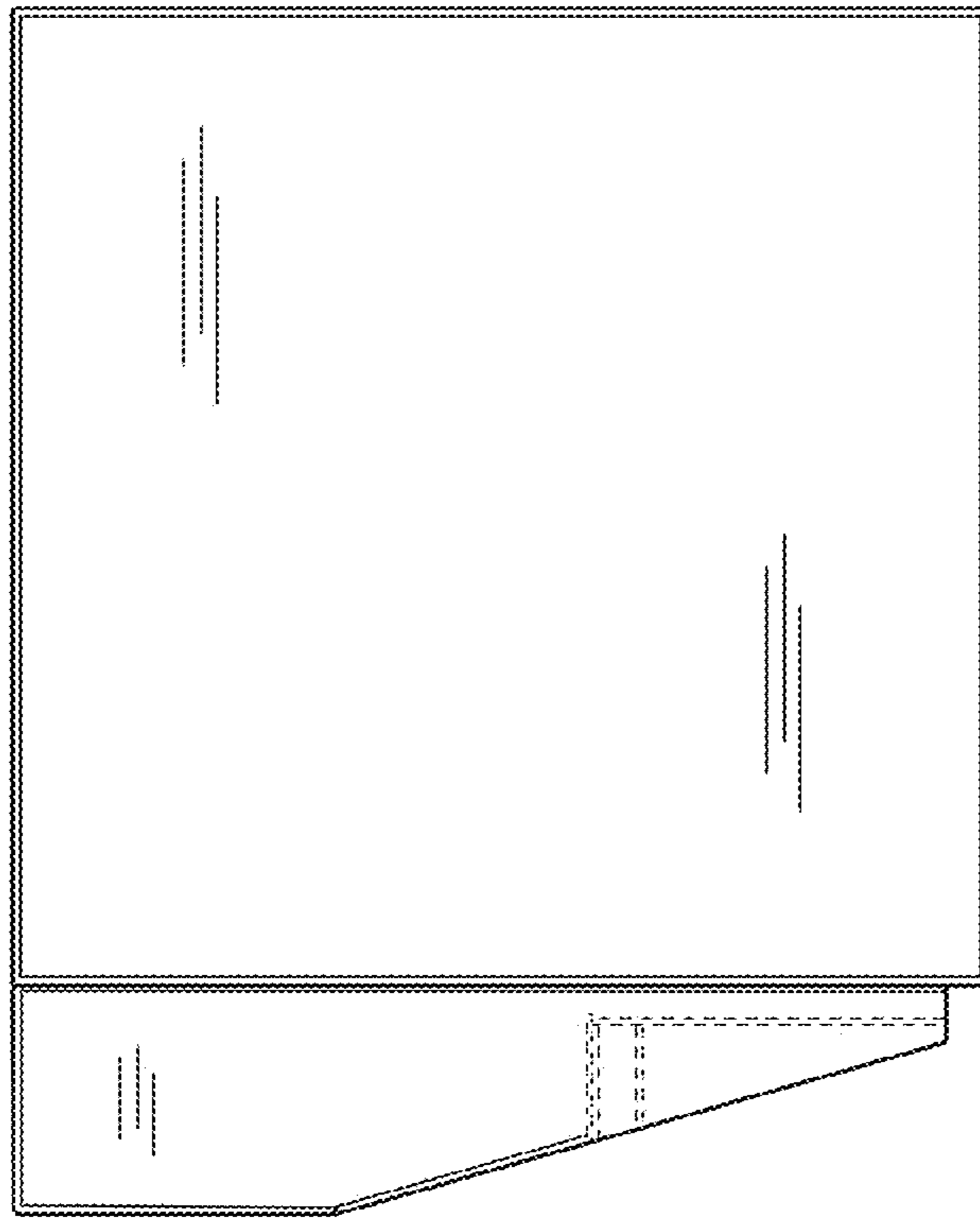


FIG. 4

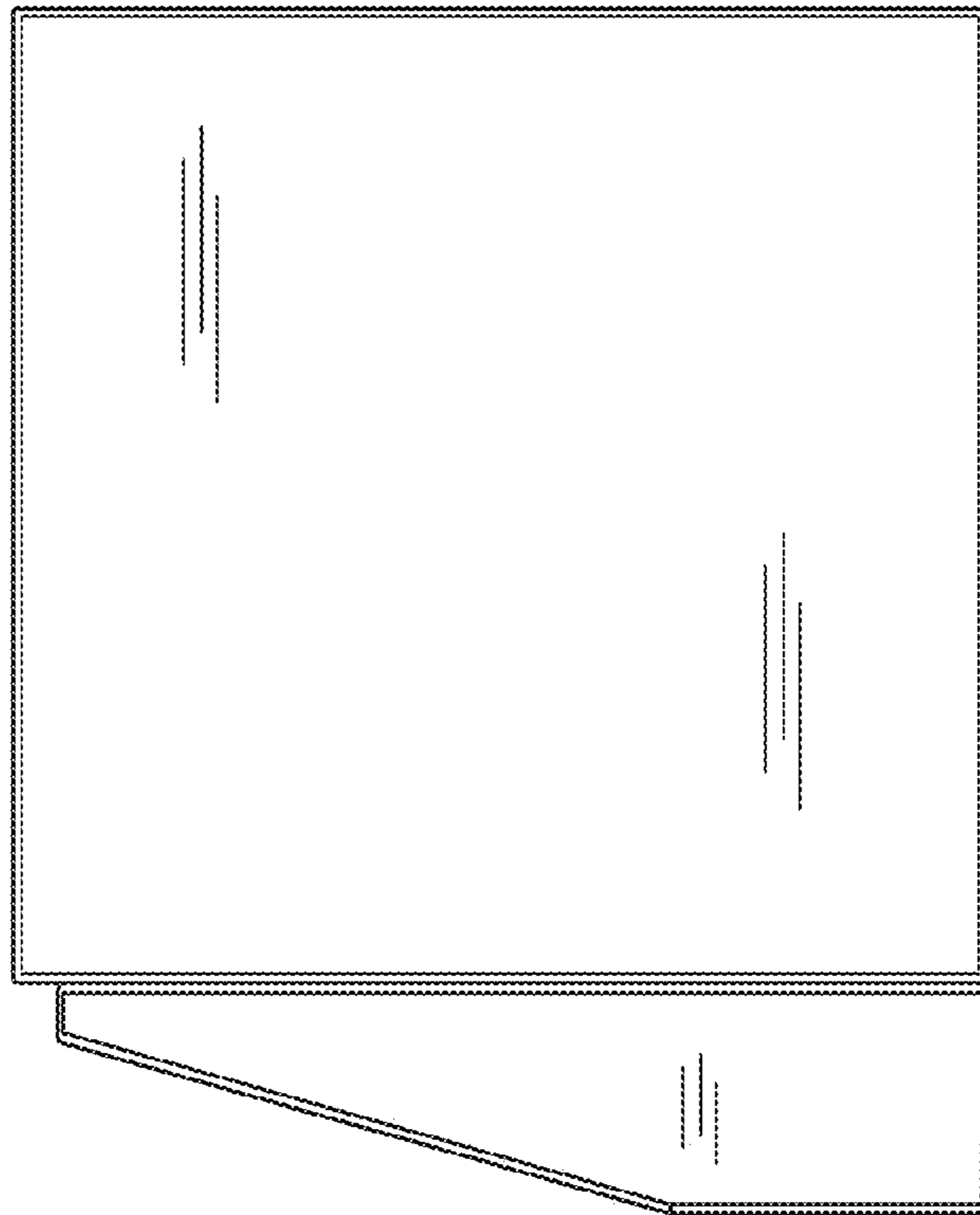


FIG. 5

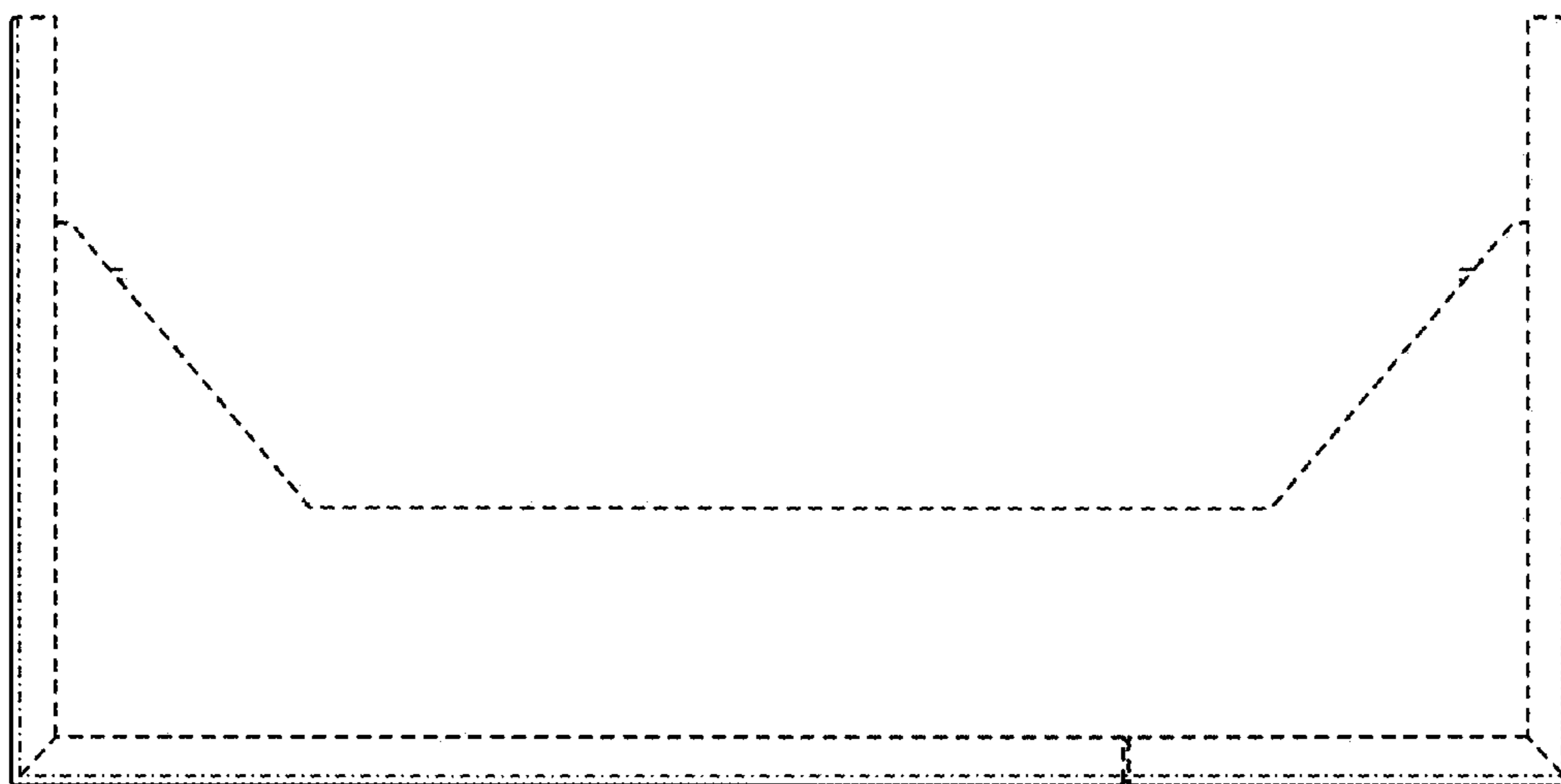


FIG. 6

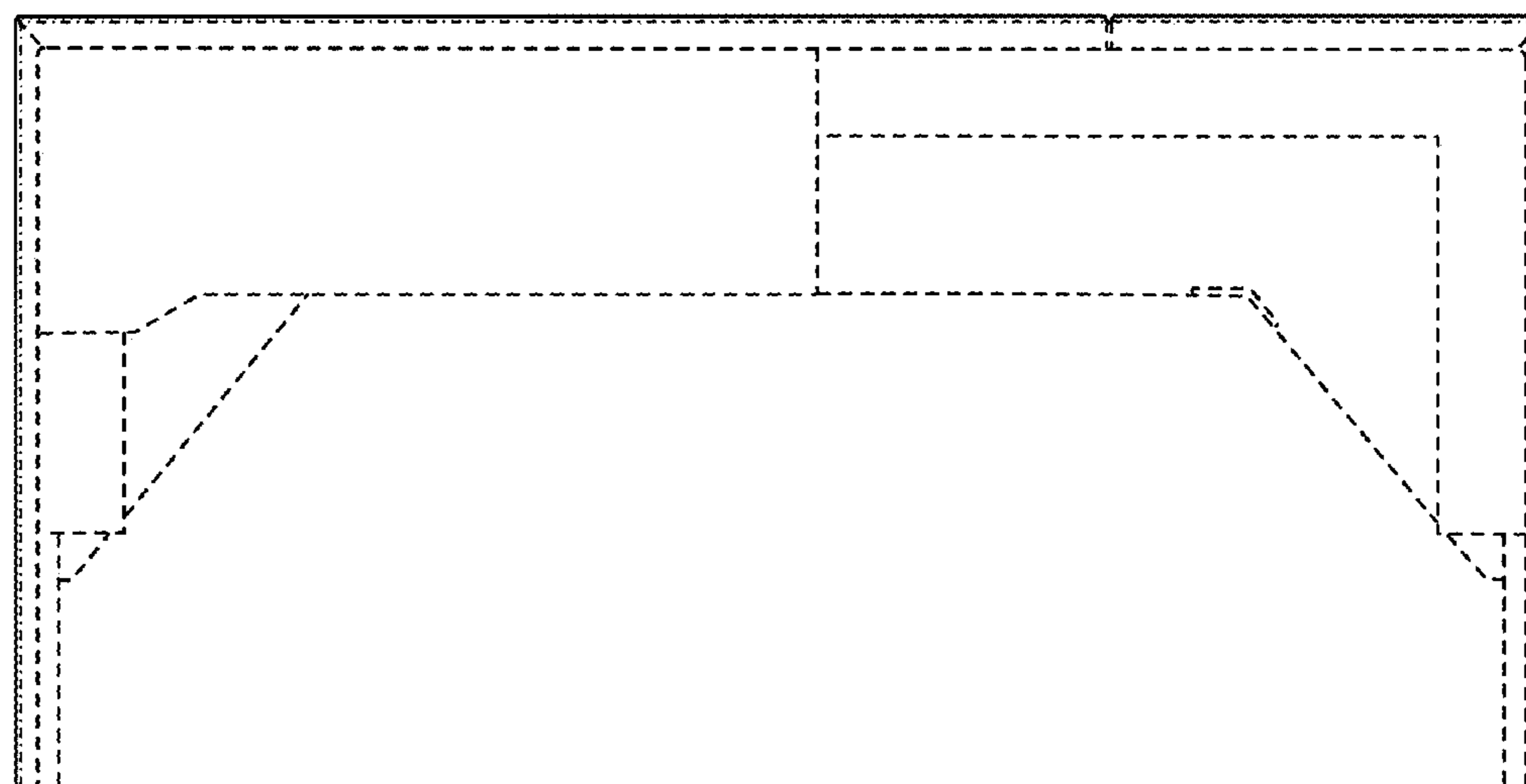


FIG. 7