

US00D753732S

(12) **United States Design Patent**
Schneider et al.

(10) **Patent No.:** **US D753,732 S**

(45) **Date of Patent:** **** Apr. 12, 2016**

(54) **LONG ARM SEWING MACHINE FOR QUILTS**

(71) Applicant: **BERNINA AG**, Steckborn (CH)

(72) Inventors: **Patrick Schneider**, Nussbaumen (CH);
Kristine Wassung, Ulm (DE); **Peter
Tippl**, Ulm (DE); **Frank Prufer**,
Hilzingen (DE); **Jan Janouschek**,
Winterhur (CH); **Hansjorg Herzog**,
Lisle, IL (US)

(73) Assignee: **BERNINA AG**, Steckborn (CH)

(**) Term: **14 Years**

(21) Appl. No.: **29/470,242**

(22) Filed: **Oct. 18, 2013**

(51) **LOC (10) Cl.** **15-06**

(52) **U.S. Cl.**
USPC **D15/69**

(58) **Field of Classification Search**
USPC D15/66, 67, 68, 69, 70, 71; D3/18, 28;
D21/527
CPC D05B 1/02; D05B 1/04; D05B 1/06;
D05B 1/08; D05B 1/10; D05B 1/12; D05B
1/14; D05B 1/16; D05B 3/02; D05B 3/04;
D05B 11/00; D05B 11/005
See application file for complete search history.

(56) **References Cited**

U.S. PATENT DOCUMENTS

D232,265 S * 7/1974 Laidig D15/69
D298,140 S * 10/1988 Miller D15/69

5,711,236 A * 1/1998 Badger 112/117
D693,378 S * 11/2013 Yamamoto et al. D15/69
D694,783 S * 12/2013 Bentley D15/66
D724,112 S 3/2015 Neel
D727,372 S 4/2015 Dreschsel et al.
D727,373 S 4/2015 Drechsel et al.
D735,249 S 7/2015 Harada et al.

* cited by examiner

Primary Examiner — Daniel Bui

Assistant Examiner — Khawaja Anwar

(74) *Attorney, Agent, or Firm* — Volpe and Koenig, P.C.

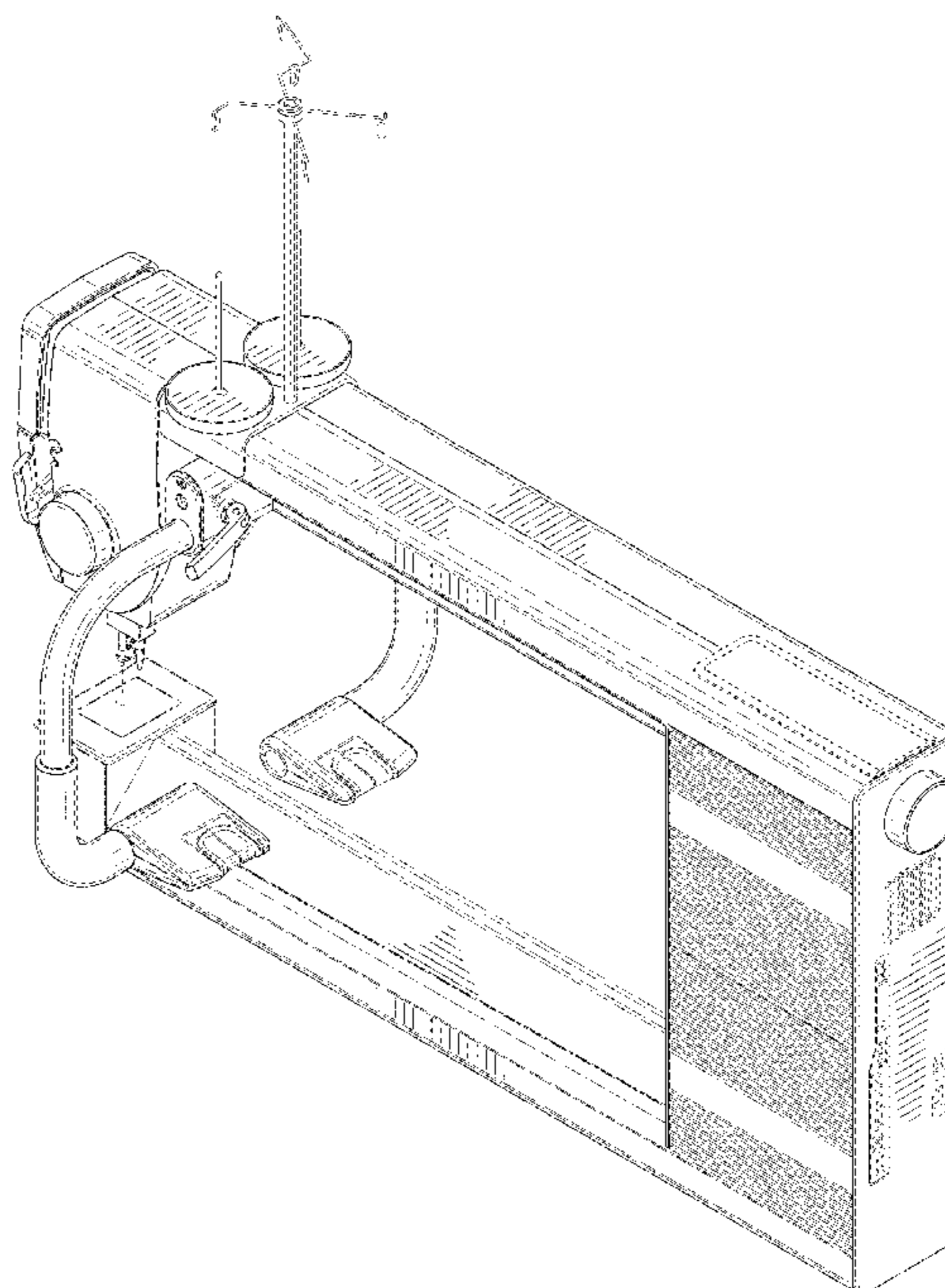
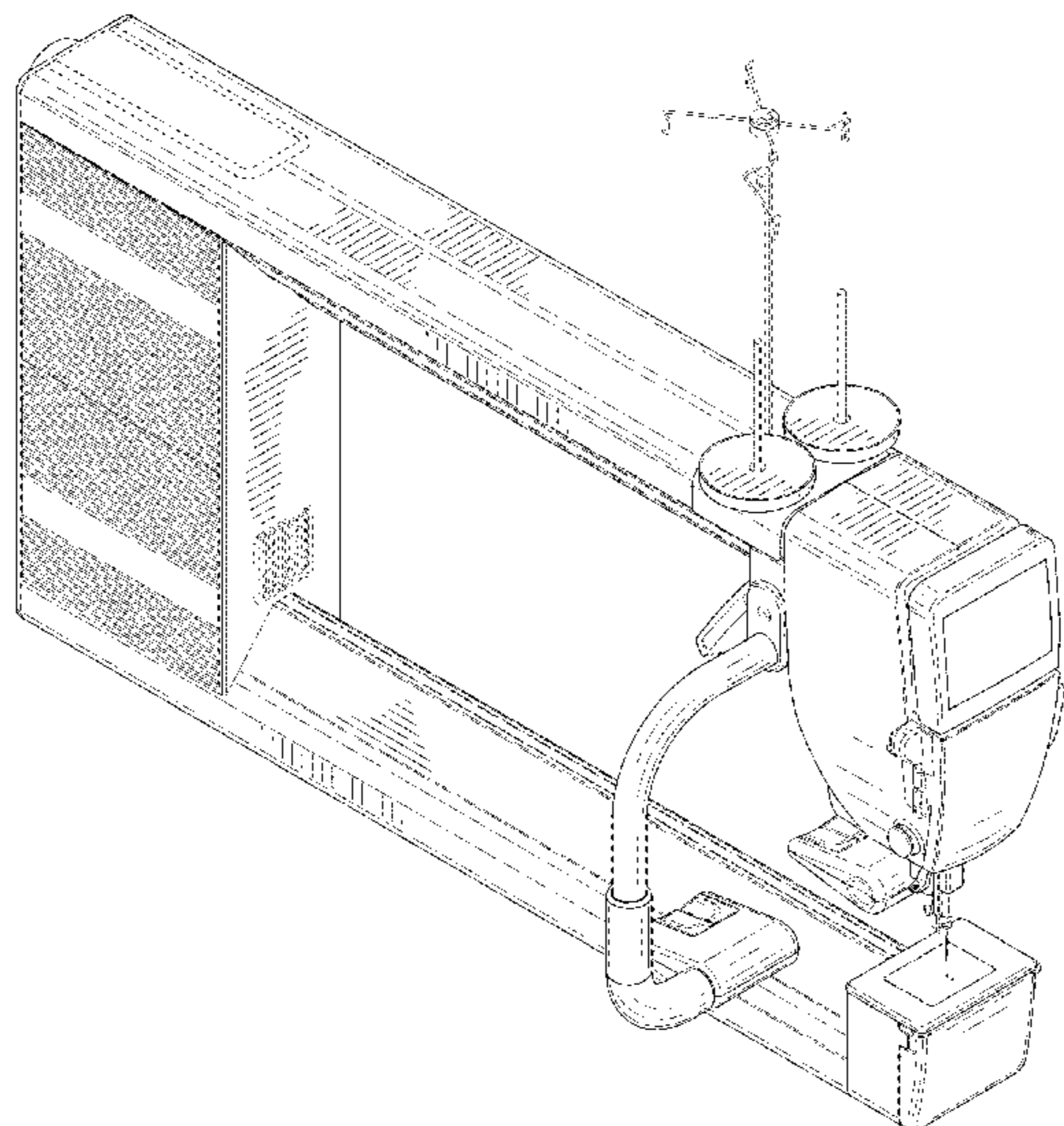
(57) **CLAIM**

The ornamental design for a long arm sewing machine for quilts, as shown and described.

DESCRIPTION

FIG. 1 is a top, front, left perspective view of a long arm sewing machine for quilts, showing my new design; FIG. 2 is a top, back, right perspective view thereof; FIG. 3 is a top plan view thereof; FIG. 4 is a bottom plan view thereof; FIG. 5 is a front elevational view thereof; FIG. 6 is a rear elevational view thereof; FIG. 7 is a right side elevational view thereof; and, FIG. 8 is a left side elevational view thereof. The broken lines in the figure drawings represent unclaimed environment and form no part of the claimed design.

1 Claim, 8 Drawing Sheets



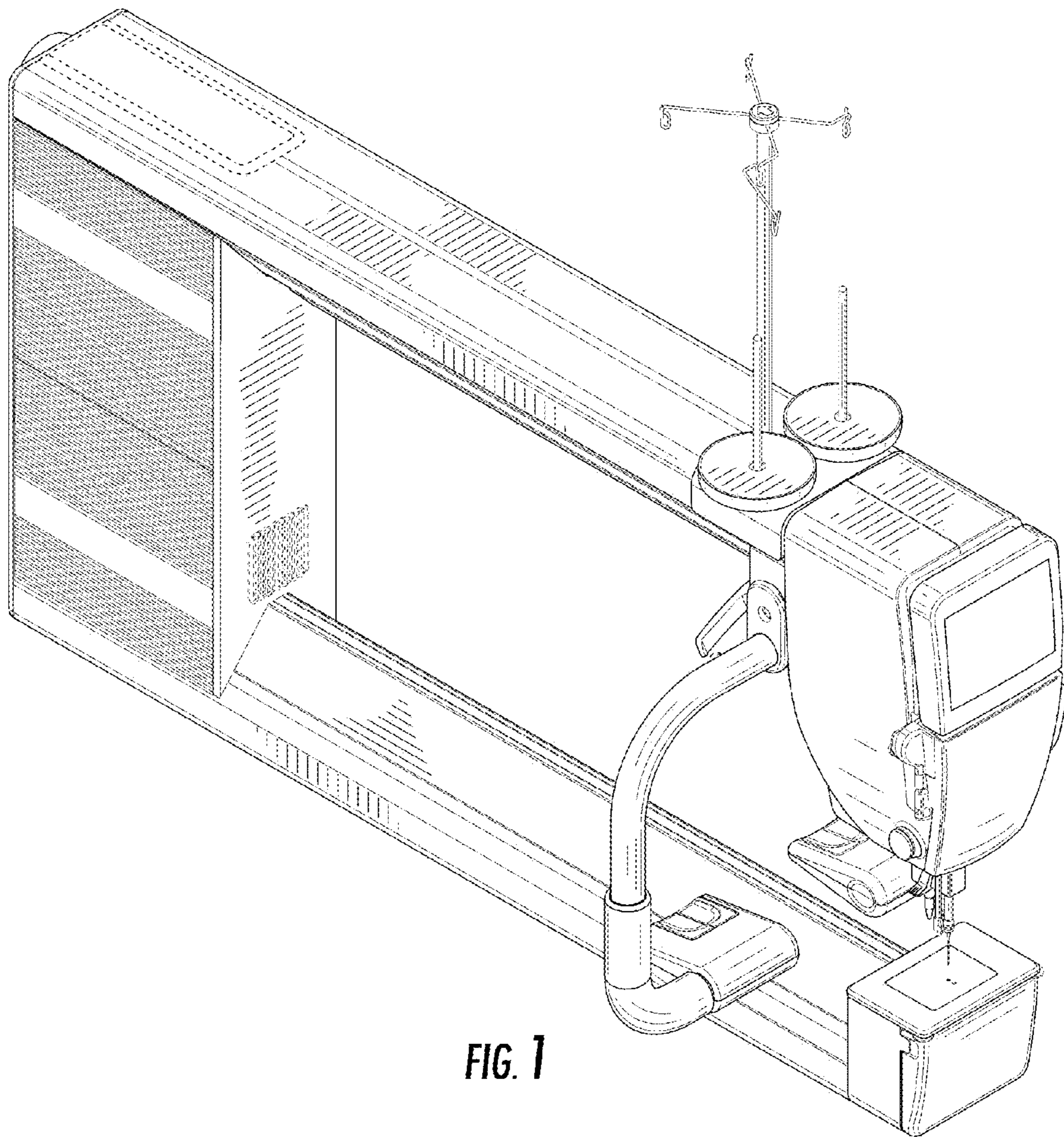


FIG. 1

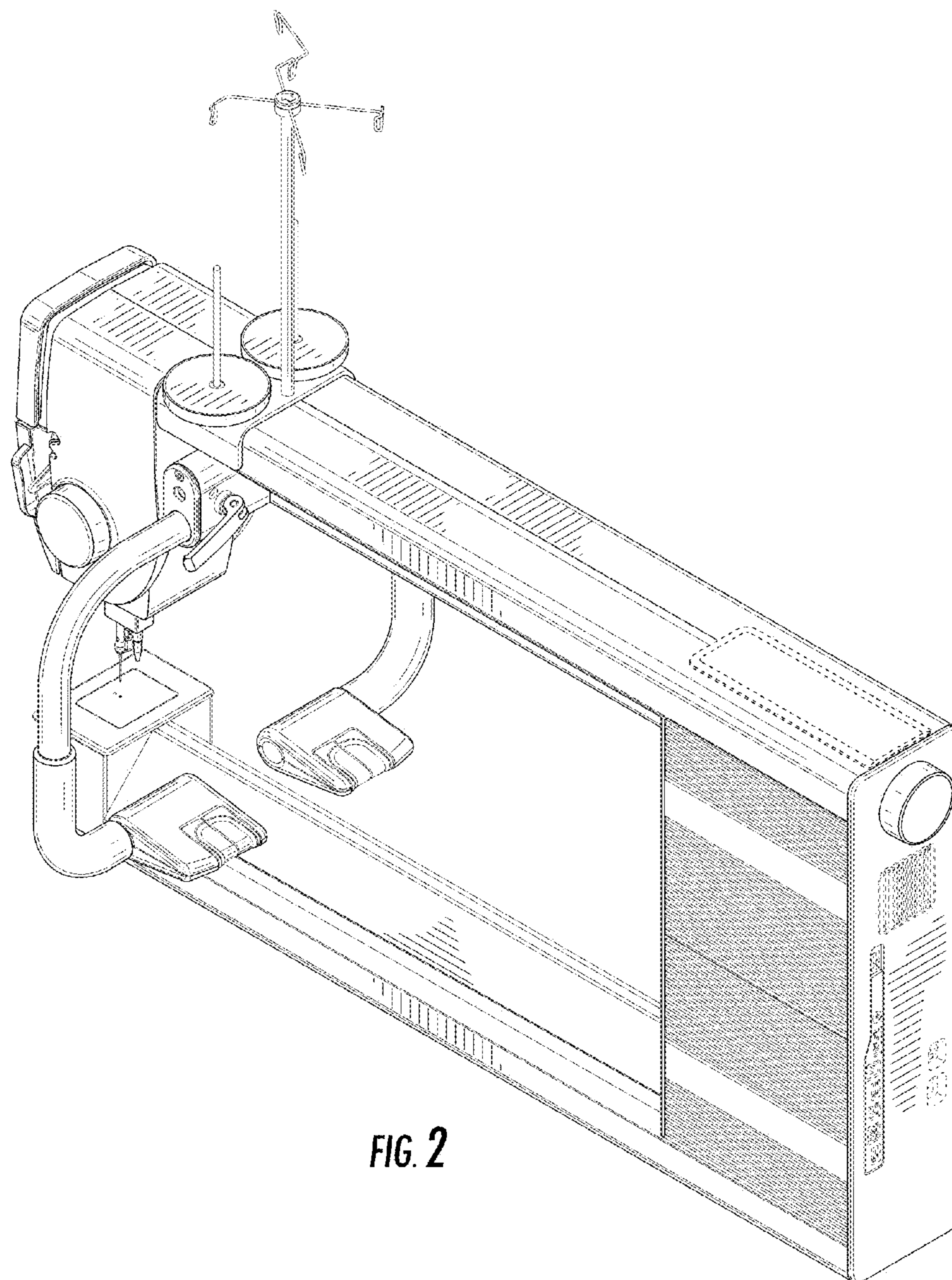


FIG. 2

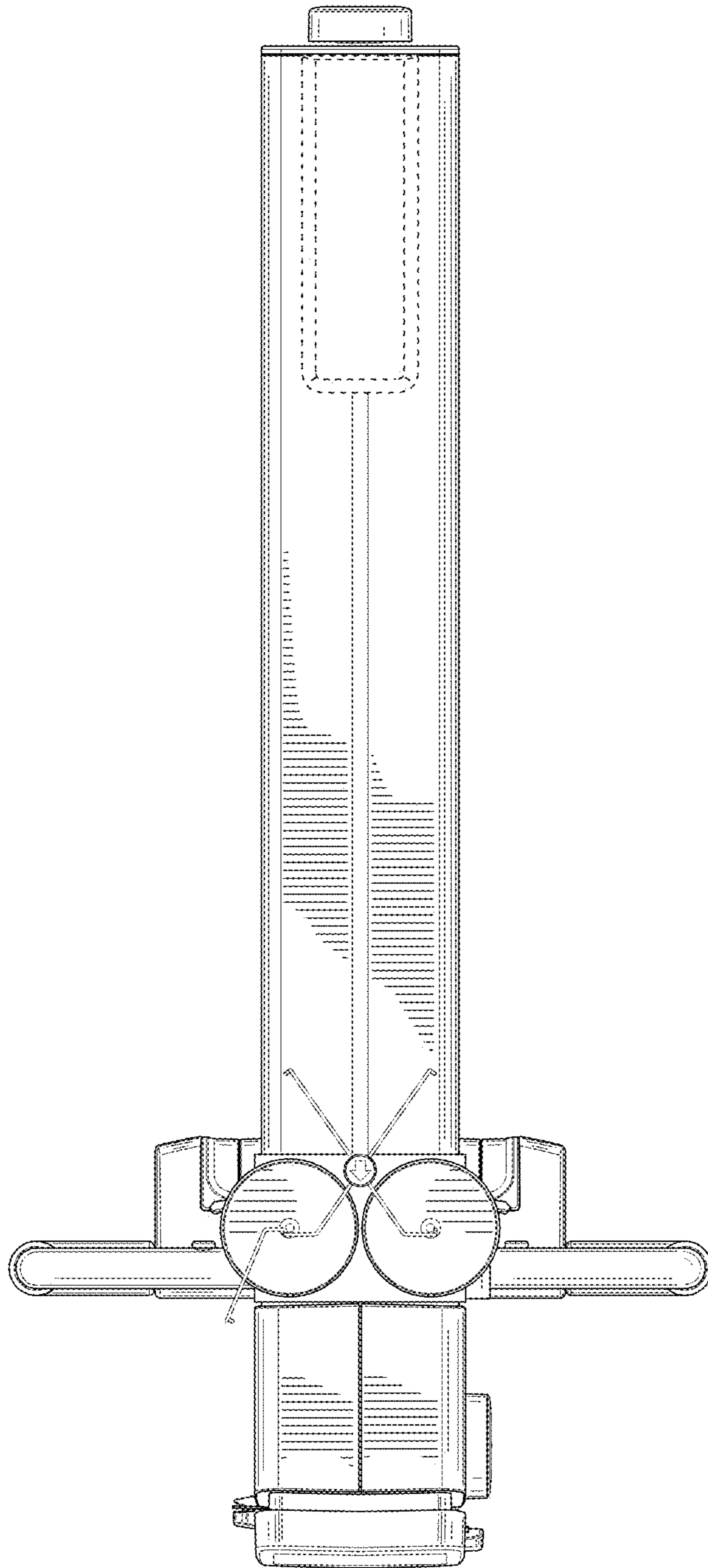


FIG. 3

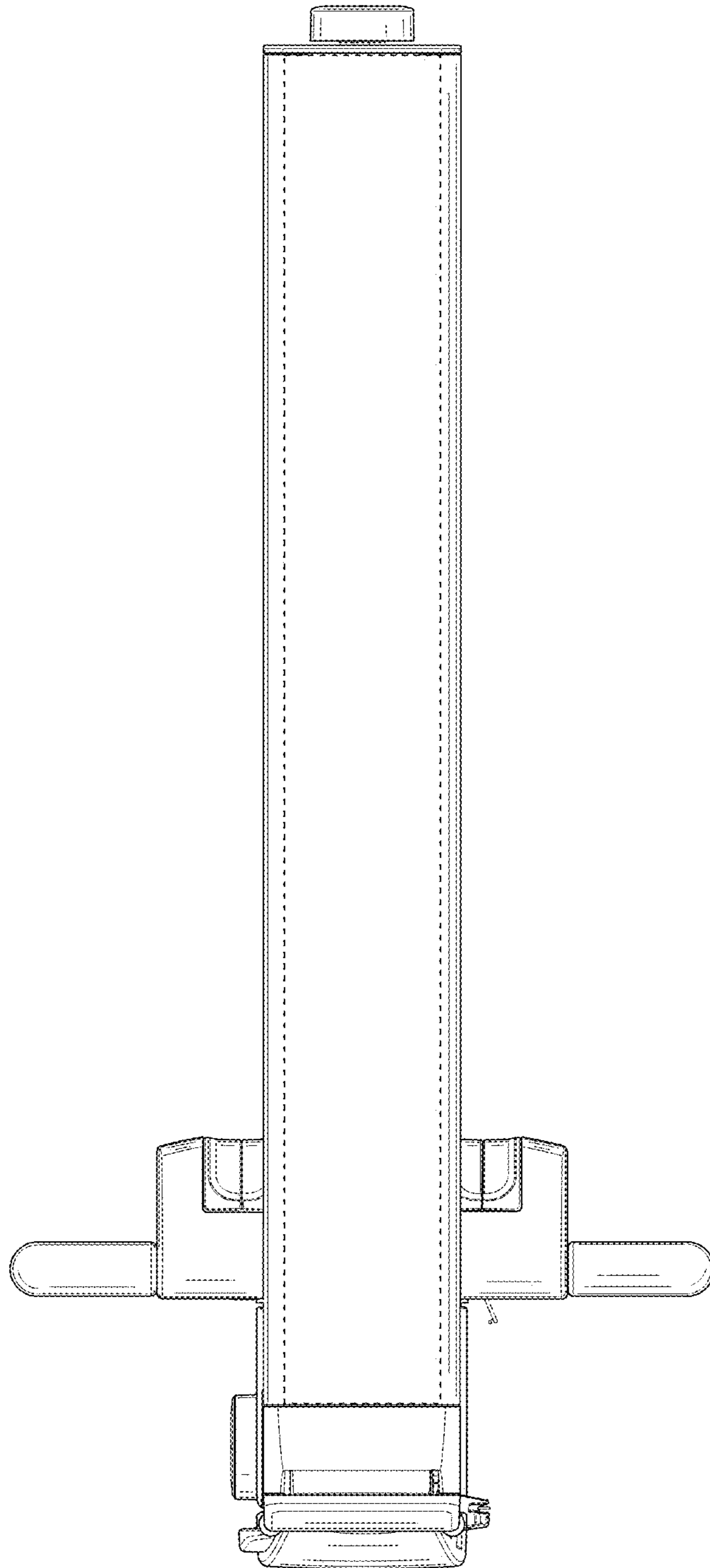


FIG. 4

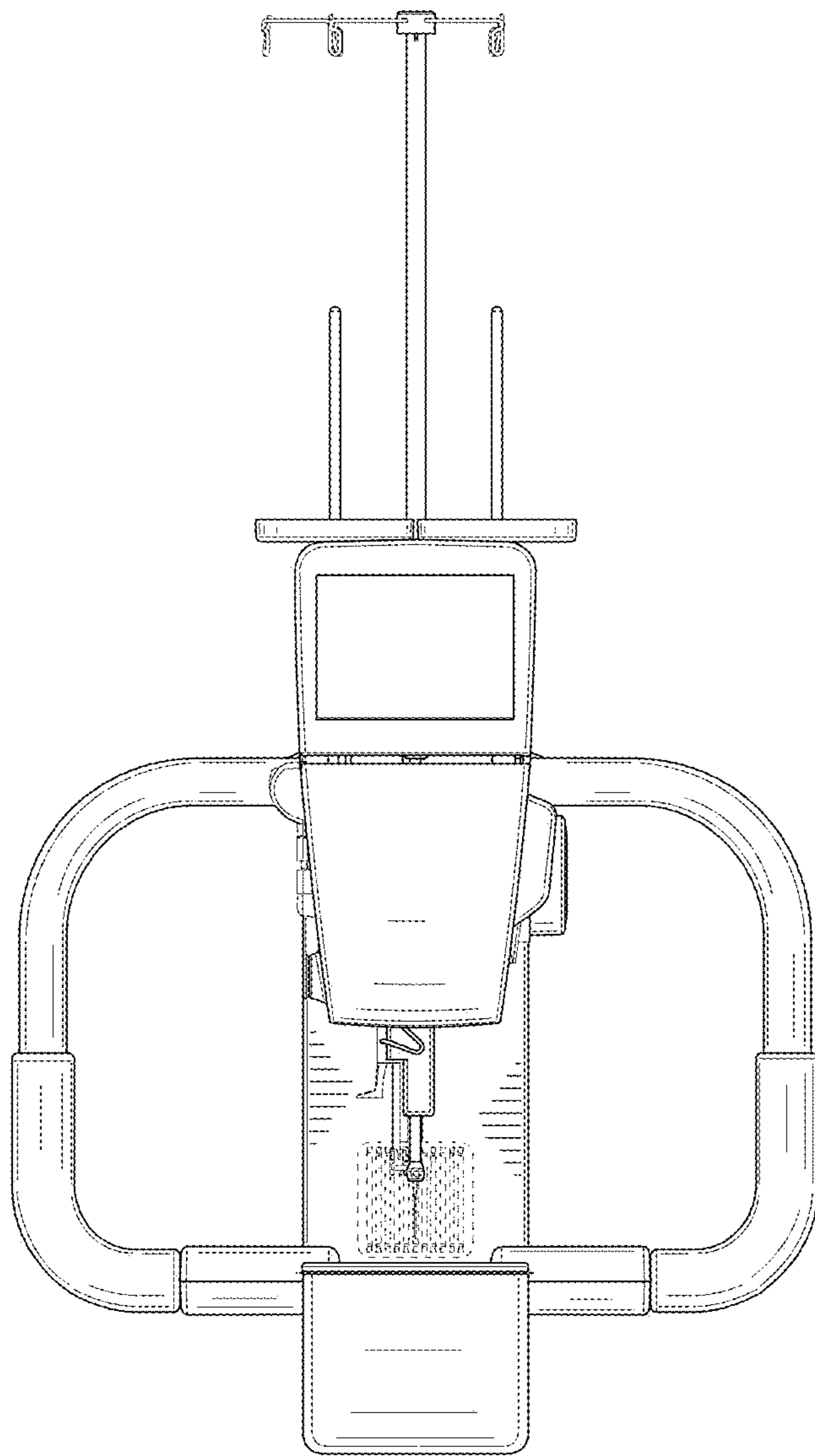


FIG. 5

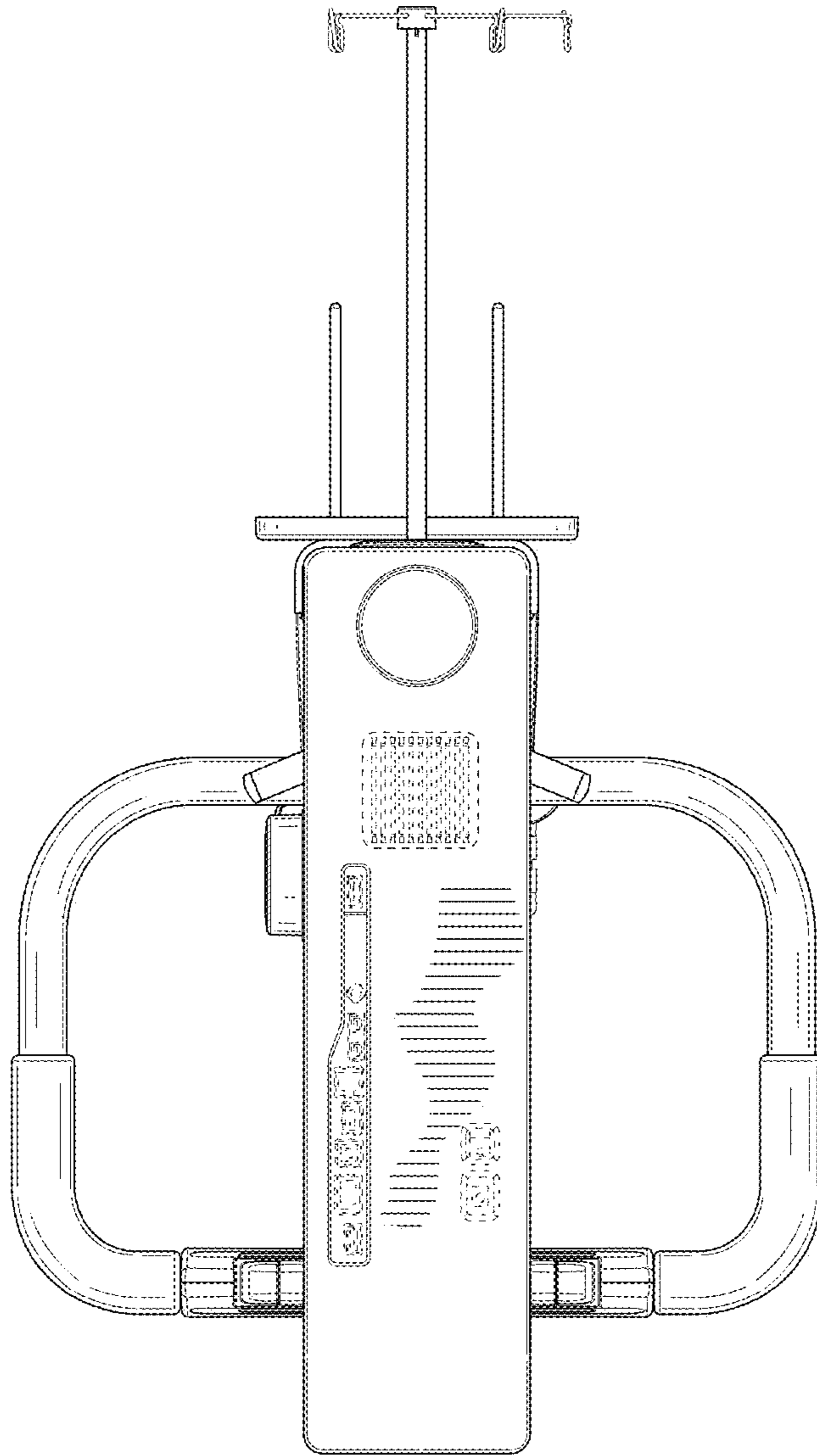
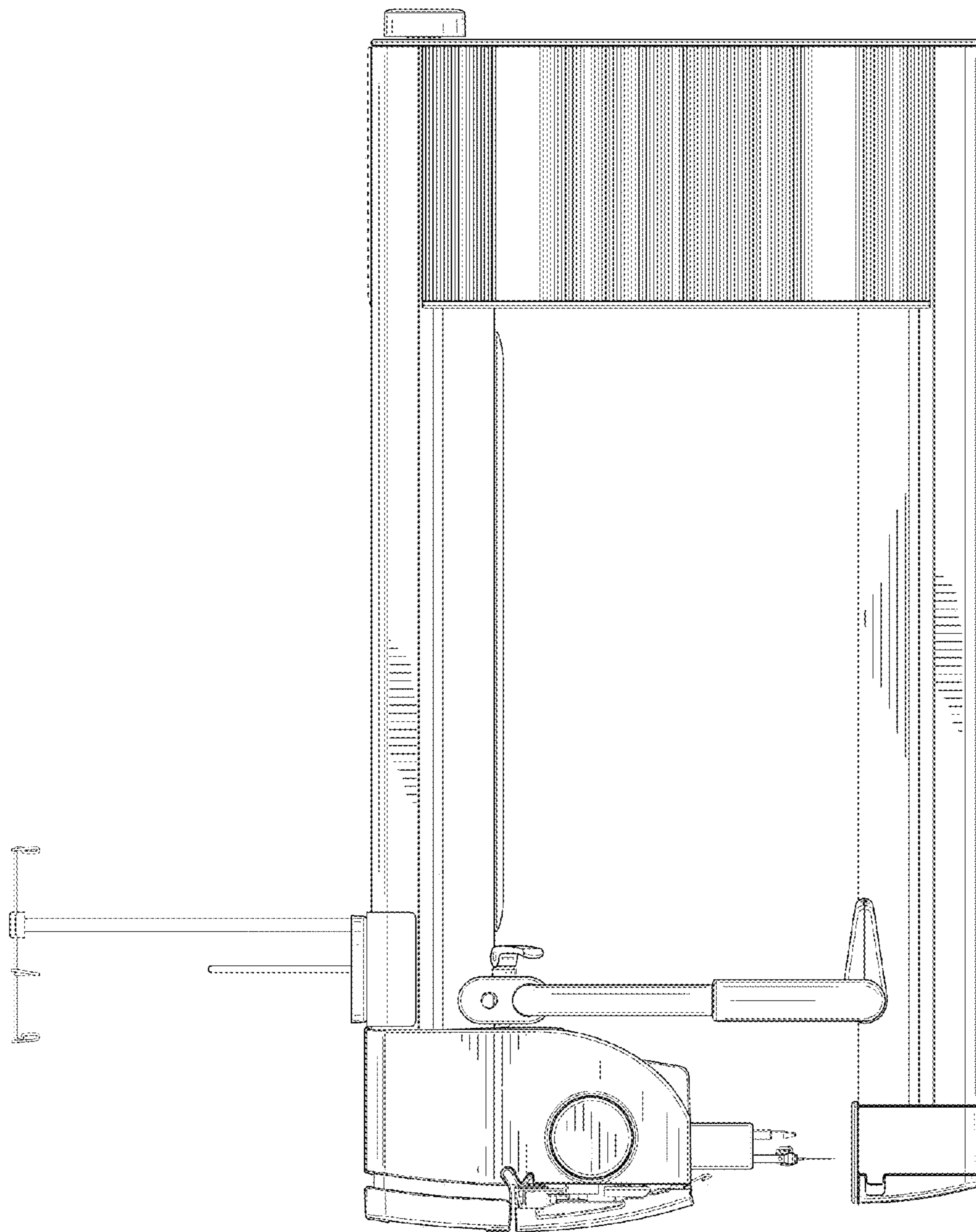


FIG. 6

FIG. 7



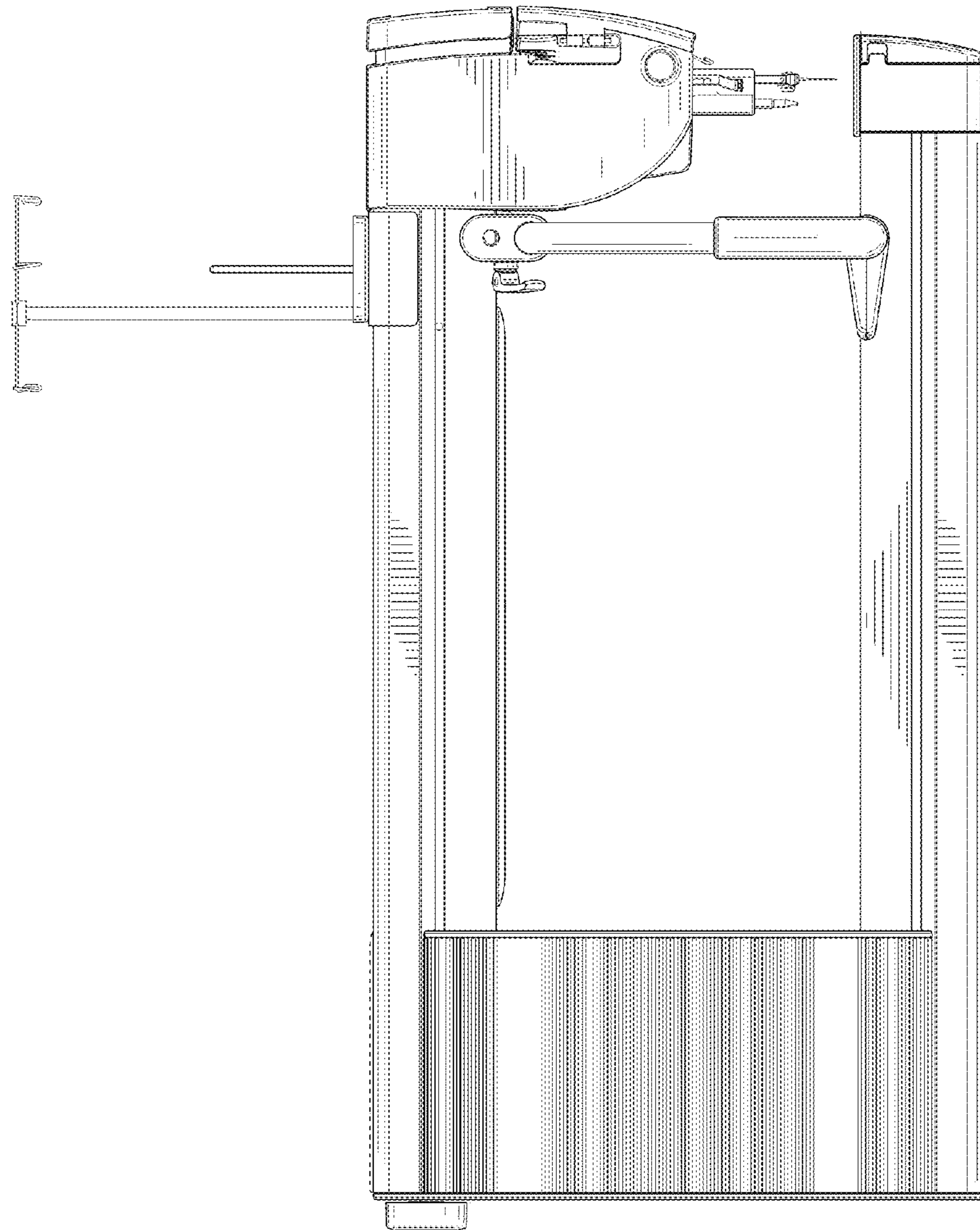


FIG. 8