



US00D753729S

(12) **United States Design Patent**
Ponzinibbio

(10) **Patent No.:** **US D753,729 S**
(45) **Date of Patent:** **** Apr. 12, 2016**

(54) **BOOM ARM FOR AGRICULTURAL SPRAYER**

(71) Applicant: **KING MARINE, S.A.**, Alginet,
Valencia (ES)

(72) Inventor: **Guillermo Ponzinibbio**, Valencia (ES)

(73) Assignee: **KING MARINE, S.A.**, Alginet,
Valencia (ES)

(**) Term: **14 Years**

(21) Appl. No.: **29/519,903**

(22) Filed: **Mar. 9, 2015**

(51) **LOC (10) Cl.** **15-03**

(52) **U.S. Cl.**
USPC **D15/13; D15/28**

(58) **Field of Classification Search**
USPC D15/10, 13, 27, 28; 239/157-159, 163,
239/164, 166, 167, 169
CPC A01M 7/0053; A01M 7/0064; A01M
7/0071; A01M 7/00; A01M 7/0075; A01M
7/0078; A01M 7/0082; A01M 7/006; A01C
23/008
See application file for complete search history.

(56) **References Cited**

U.S. PATENT DOCUMENTS

1,924,881 A * 8/1933 Ragsdale B64C 1/065
135/909
3,447,750 A * 6/1969 Weston A01M 7/0075
239/159
3,581,993 A * 6/1971 Reams A01M 7/0075
239/158
3,887,132 A * 6/1975 Widmer A01M 7/00
239/166
4,011,914 A * 3/1977 Elmer A01M 7/0075
172/126
4,372,492 A * 2/1983 Blumenshine A01M 7/0075
239/168

D289,876 S * 5/1987 McDonnell D15/27
4,946,102 A * 8/1990 DeWitt A01M 7/0075
239/167
5,242,120 A * 9/1993 Barber A01C 15/006
239/655
D355,919 S * 2/1995 Larson D15/13
D410,656 S * 6/1999 Thyberg D15/13
5,927,606 A * 7/1999 Patterson A01M 7/0075
239/167
6,085,993 A * 7/2000 Beggs A01M 7/0053
239/166
6,131,821 A * 10/2000 Nejsun A01M 7/0064
239/168
6,719,213 B1 * 4/2004 Ferguson A01M 7/0075
239/159
6,837,446 B1 * 1/2005 Jesse A01C 23/008
239/159
D559,274 S * 1/2008 Chahley D15/13
D559,276 S * 1/2008 Chahley D15/13
2004/0238659 A1 * 12/2004 Wubben A01M 7/0075
239/166
2006/0201075 A1 * 9/2006 Rivas A01M 7/0071
52/111

* cited by examiner

Primary Examiner — Mark Goodwin
(74) *Attorney, Agent, or Firm* — Albert Bordas, P.A.

(57) **CLAIM**
The ornamental design for a boom arm for agricultural
sprayer, as shown and described.

DESCRIPTION

FIG. 1 is a top plan view of a boom arm for agricultural
sprayer;
FIG. 2 is a bottom view thereof;
FIG. 3 is an isometric view thereof; and,
FIG. 4 is an isometric view thereof, showing the design from
the opposite side to the shown in FIG. 3.
The claimed boom arm for agricultural sprayer is used for
agricultural spraying purposes.

1 Claim, 4 Drawing Sheets

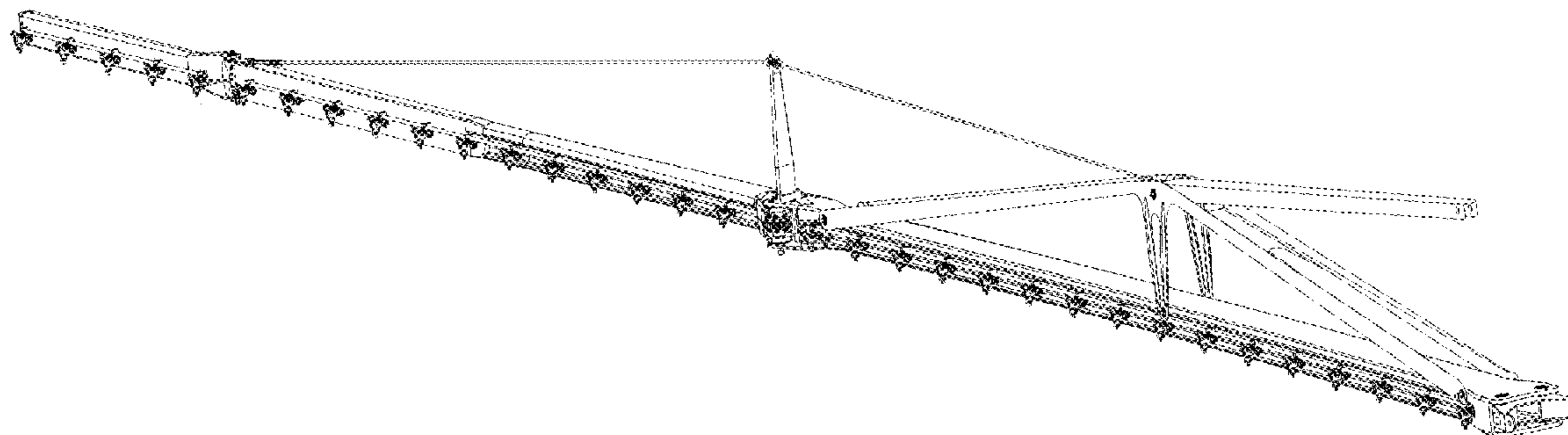




Fig. 1



Fig. 2

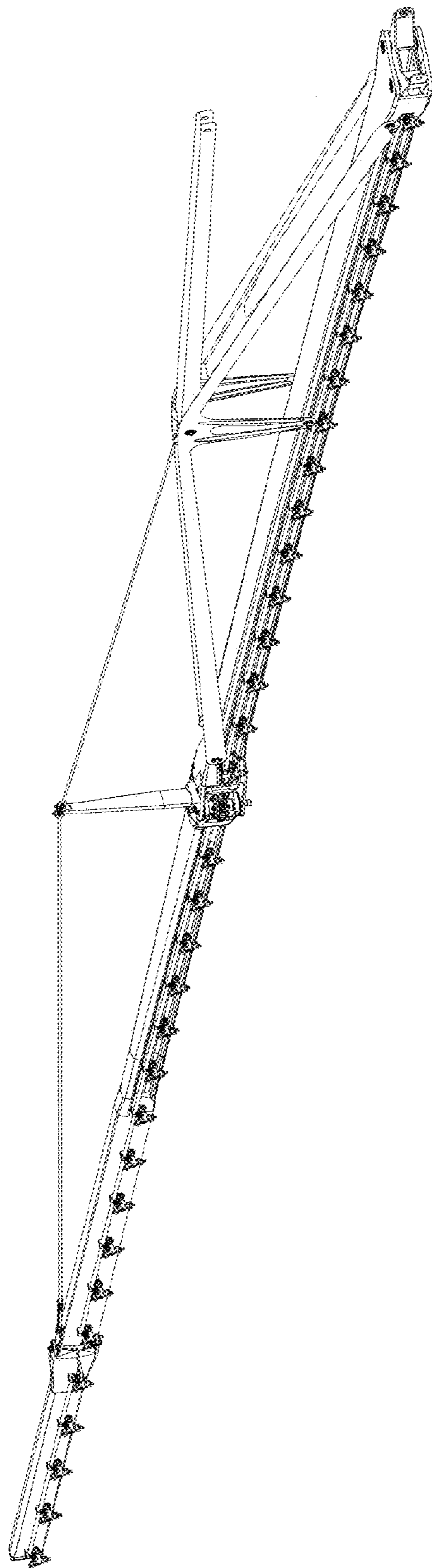


Fig. 3

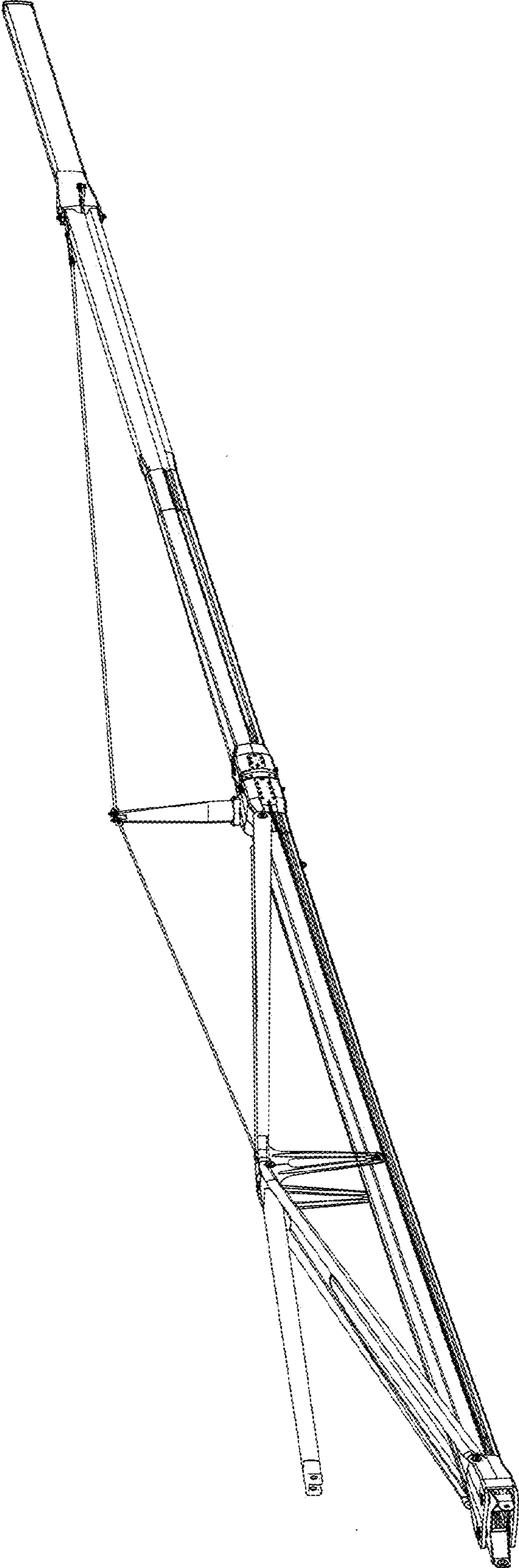


Fig. 4