



US00D753728S

(12) **United States Design Patent**
Ohta et al.

(10) **Patent No.:** **US D753,728 S**

(45) **Date of Patent:** **** Apr. 12, 2016**

(54) **AIR COMPRESSOR**

CPC F02M 37/04; F02M 37/14
See application file for complete search history.

(71) Applicant: **Hitachi Industrial Equipment Systems Co., Ltd.**, Chiyoda-ku, Tokyo (JP)

(56) **References Cited**

(72) Inventors: **Hiroshi Ohta**, Tokyo (JP); **Shigeyuki Yorikane**, Tokyo (JP); **Ryusuke Oshiro**, Tokyo (JP); **Hiroyuki Matsuda**, Tokyo (JP); **Akira Iyozumi**, Tokyo (JP); **Hideharu Tanaka**, Tokyo (JP); **Kazumasa Kanai**, Tokyo (JP); **Toshiyuki Toyonaga**, Tokyo (JP)

U.S. PATENT DOCUMENTS

D497,369	S	*	10/2004	Govier	D15/9
D550,716	S	*	9/2007	Bennett	D15/7
D550,721	S	*	9/2007	Tanaka	D15/9
D591,772	S	*	5/2009	Suthmann	D15/9
D622,737	S	*	8/2010	Nagai	D15/9
D630,652	S	*	1/2011	Yoshioka	D15/7
D681,061	S	*	4/2013	Utal	D15/9
D697,533	S	*	1/2014	Desiron	D15/7

(73) Assignee: **Hitachi Industrial Equipment Systems Co., Ltd.**, Tokyo (JP)

* cited by examiner

(**) Term: **14 Years**

Primary Examiner — Ralf Seifert

(21) Appl. No.: **29/519,021**

(74) *Attorney, Agent, or Firm* — Crowell & Moring LLP

(22) Filed: **Mar. 2, 2015**

(57) **CLAIM**

We claim the ornamental design for an air compressor, as shown.

(30) **Foreign Application Priority Data**

DESCRIPTION

Sep. 3, 2014 (JP) 2014-019386

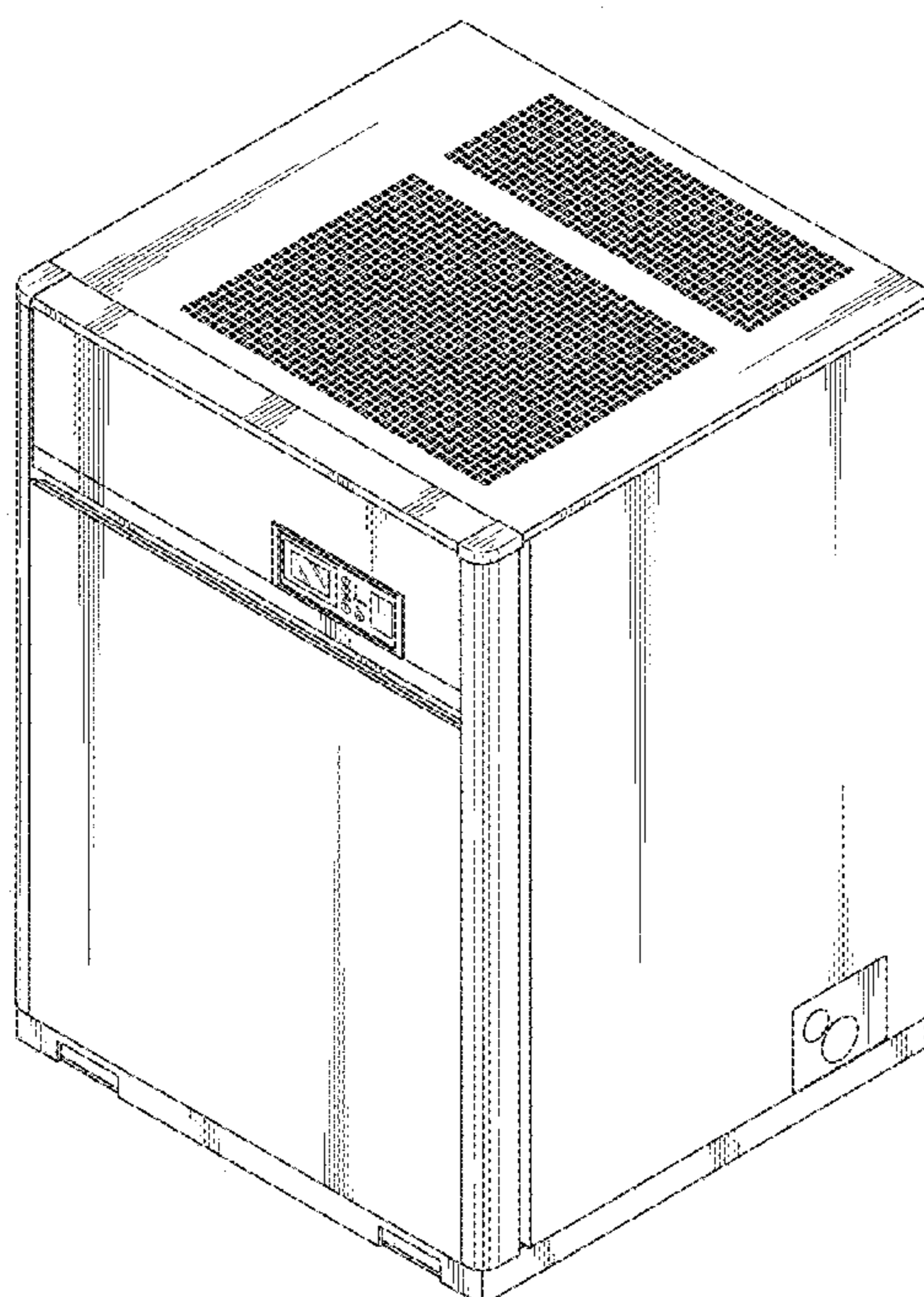
(51) **LOC (10) Cl.** **15-02**

(52) **U.S. Cl.**
USPC **D15/9**

(58) **Field of Classification Search**
USPC D15/7-9; D23/231, 232, 225; 417/60, 417/235, 265, 321, 355, 358, 363, 359, 417/410.1, 415-416, 405, 900; 60/408, 60/412; 184/26-37; 415/140-147; 123/495, 509; 137/565.34

FIG. 1 is a front, top and left side perspective view of an air compressor showing our/my new design;
FIG. 2 is a front elevational view thereof;
FIG. 3 is a rear elevational view thereof;
FIG. 4 is a left side elevational view thereof;
FIG. 5 is a right side elevational view thereof;
FIG. 6 is a top plan view thereof; and,
FIG. 7 is a bottom plan view thereof and,
FIG. 8 is an enlarged detail view of the control panel.

1 Claim, 8 Drawing Sheets



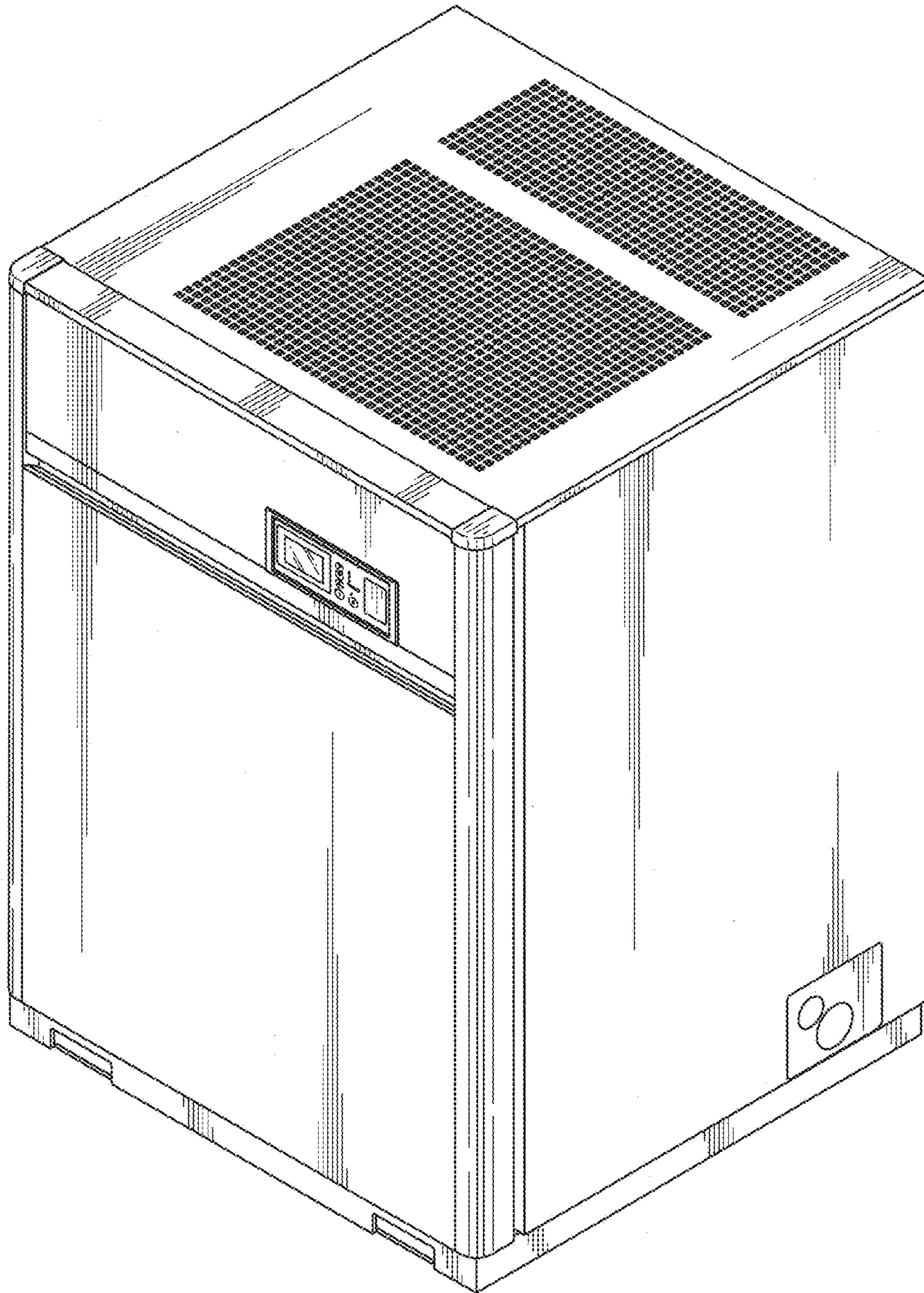


FIG. 1

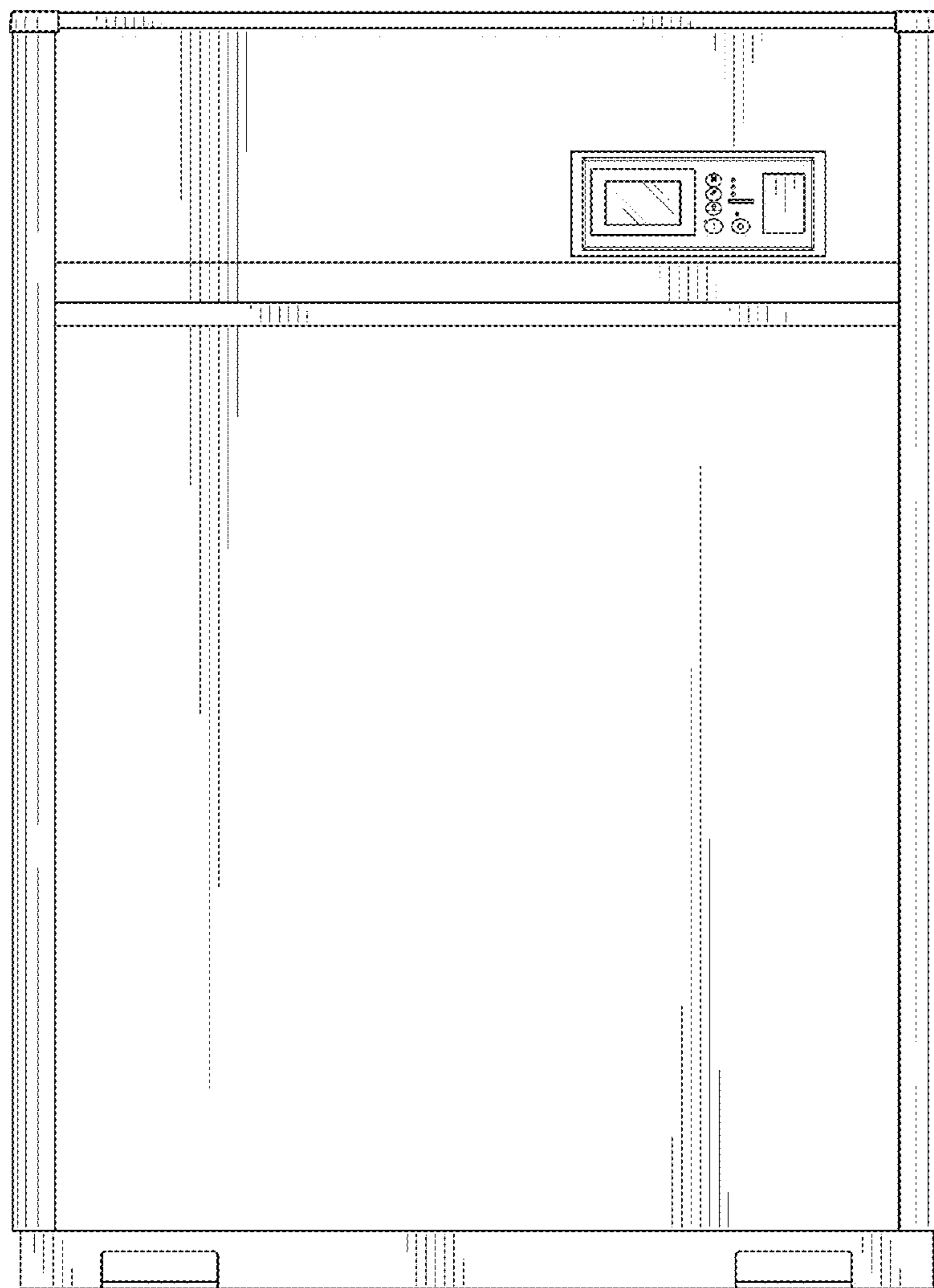


FIG. 2

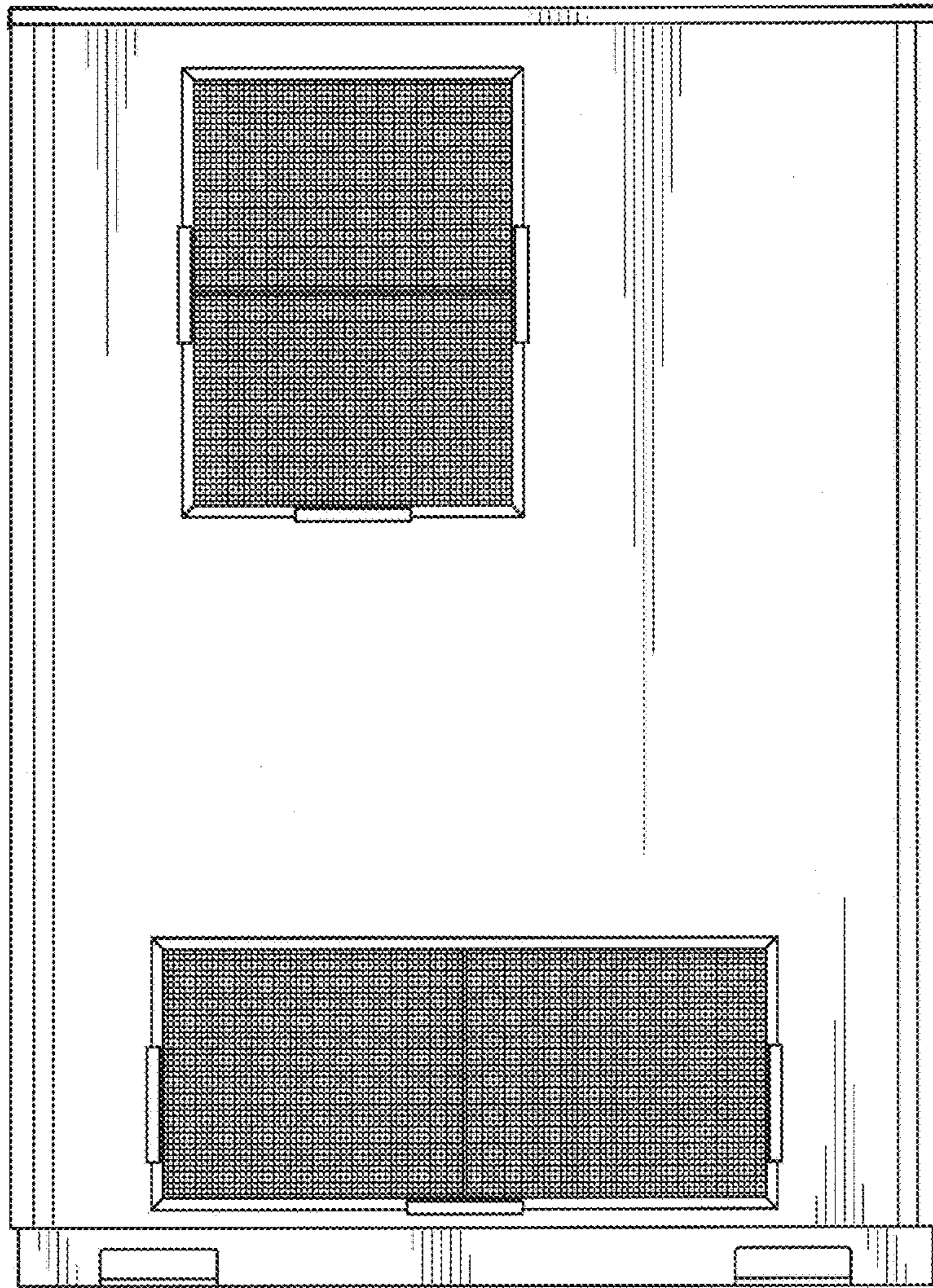


FIG. 3

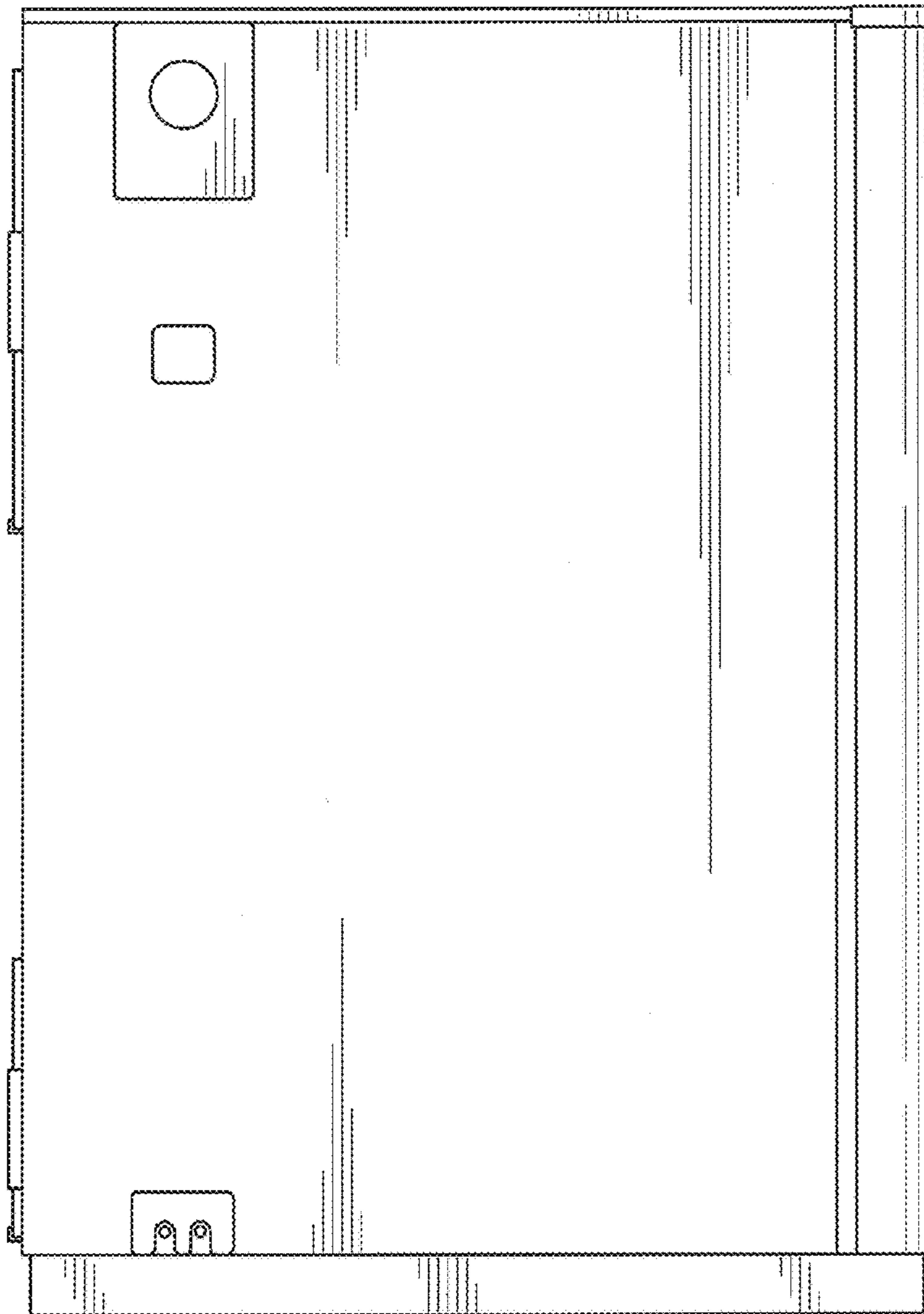


FIG. 4

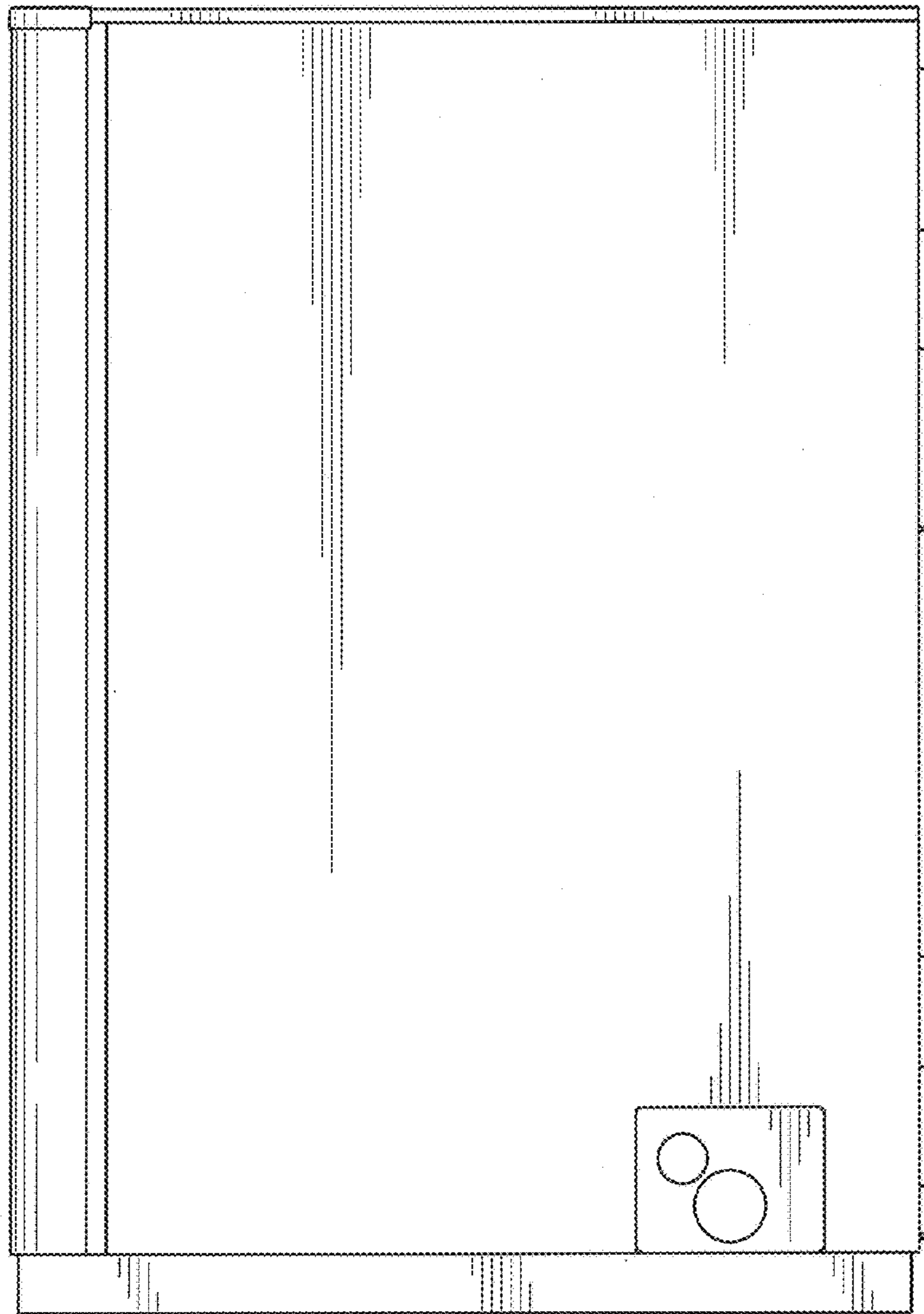


FIG. 5

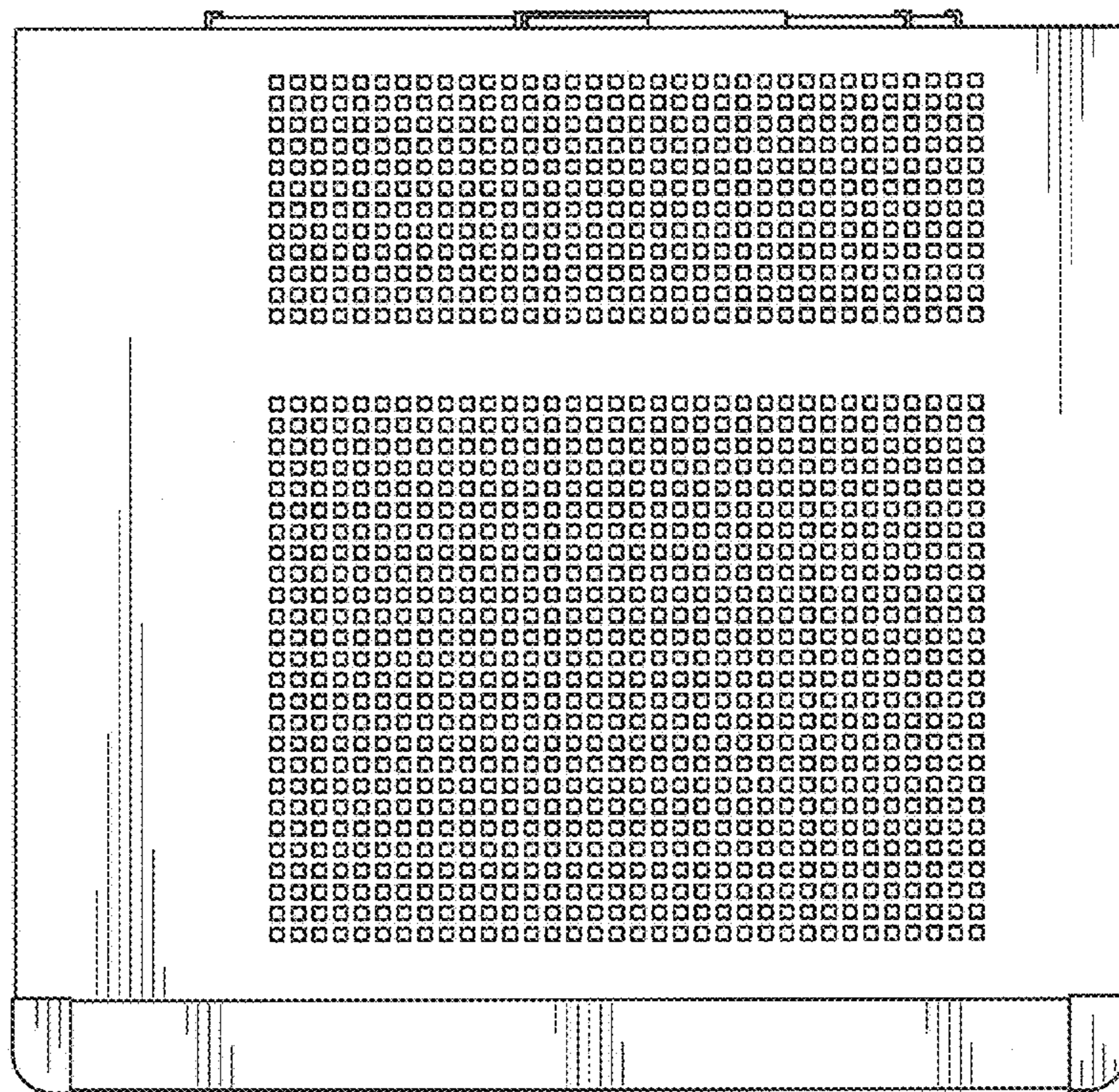


FIG. 6

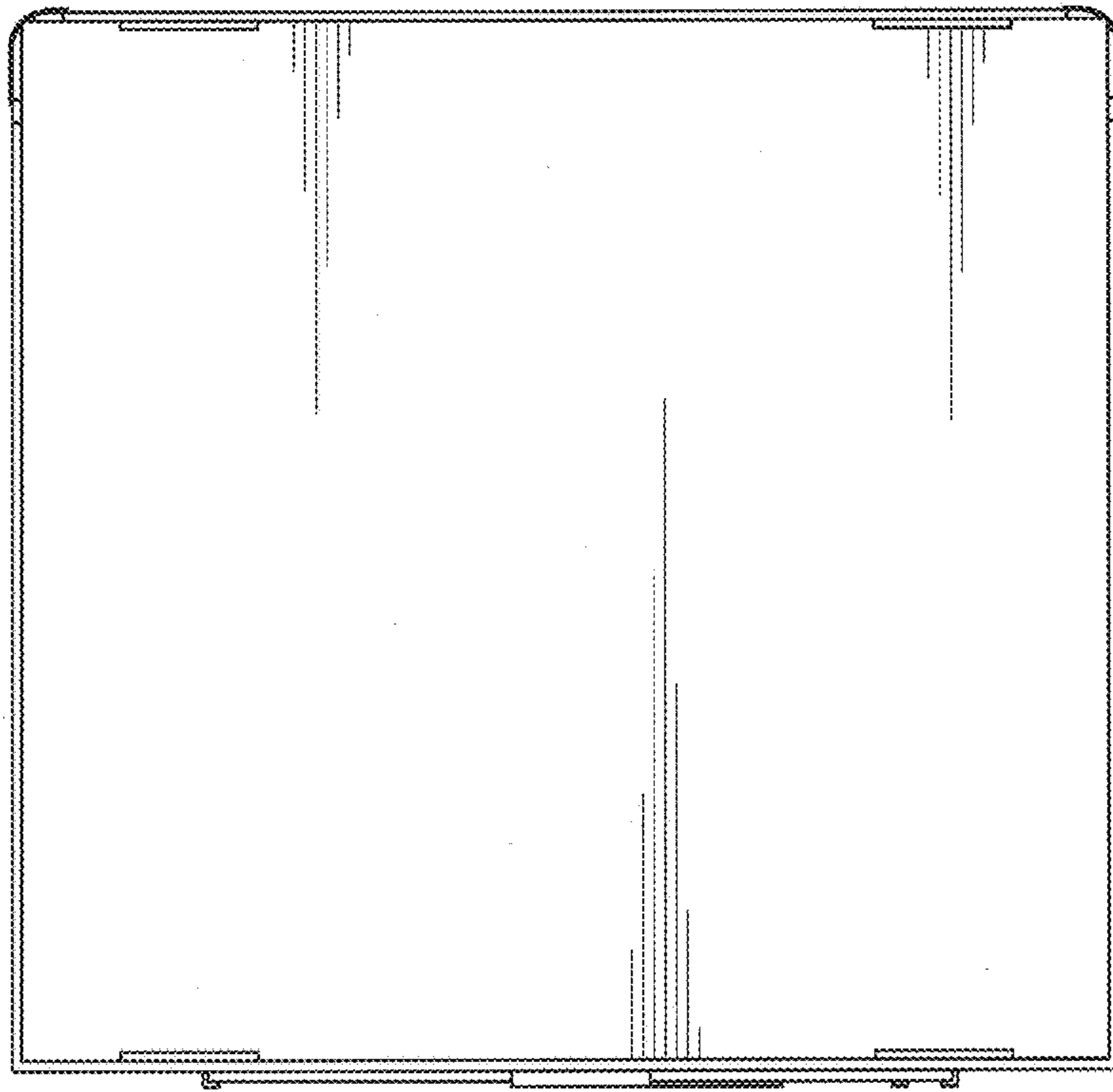


FIG. 7

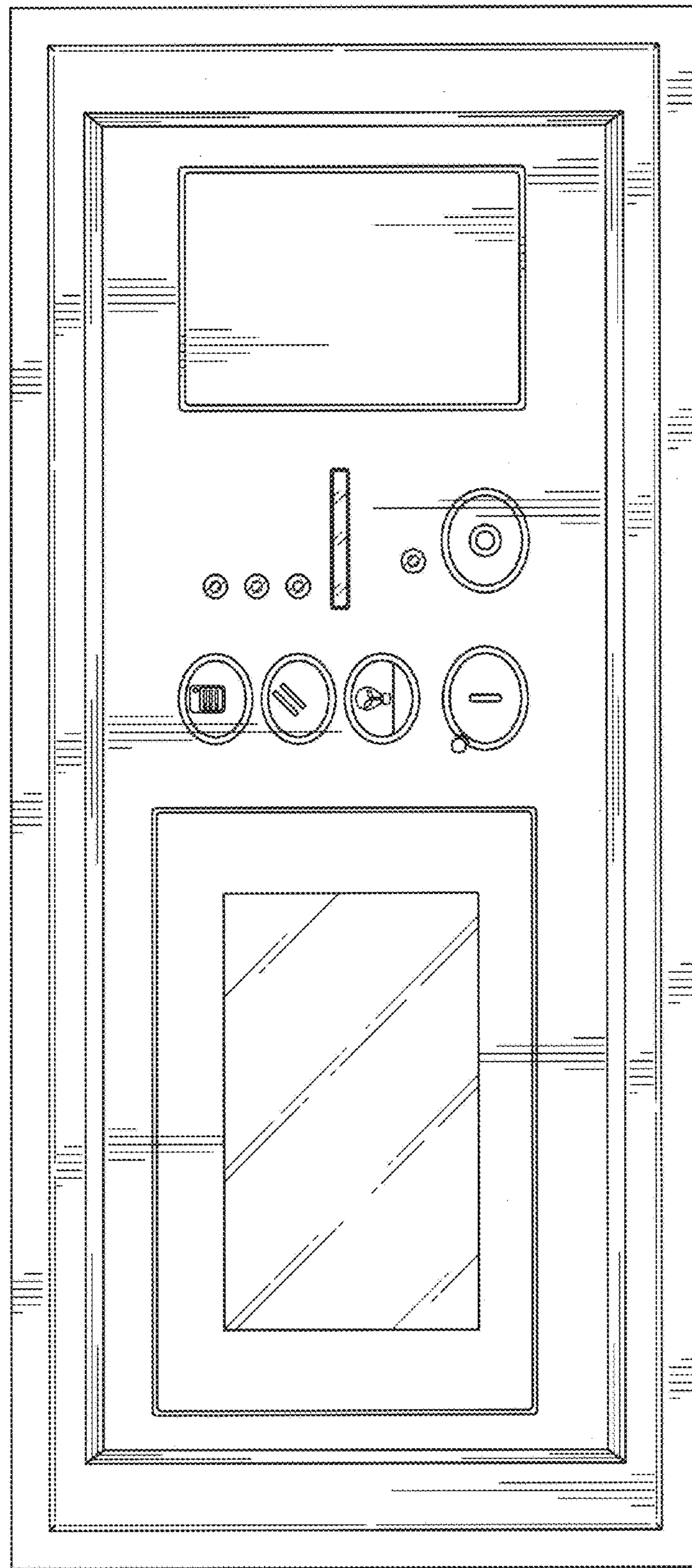


FIG. 8