



US00D753726S

(12) **United States Design Patent**
Fitzgerald et al.

(10) **Patent No.:** **US D753,726 S**

(45) **Date of Patent:** **** Apr. 12, 2016**

(54) **THROTTLE BODY COUPLER**
(71) Applicants: **Chandler Fitzgerald**, St. George, UT
(US); **Zane Koch**, Washington, UT (US)
(72) Inventors: **Chandler Fitzgerald**, St. George, UT
(US); **Zane Koch**, Washington, UT (US)

2008/0054211 A1* 3/2008 Pervaiz F16K 5/0485
251/214
2009/0240416 A1* 9/2009 Oral B60W 30/18172
701/85
2010/0210201 A1* 8/2010 Dreisilker B64D 13/02
454/74

* cited by examiner

(**) Term: **14 Years**

Primary Examiner — T. Chase Nelson

Assistant Examiner — Ania Aman

(21) Appl. No.: **29/508,315**

(74) *Attorney, Agent, or Firm* — Gurr & Brande, PLLC;
Robert A. Gurr

(22) Filed: **Nov. 5, 2014**

(51) **LOC (10) Cl.** **15-01**

(52) **U.S. Cl.**
USPC **D15/5**

(58) **Field of Classification Search**
USPC D15/1-6; 251/305; 123/337;
D23/259-265
CPC F02B 2031/003; F02D 2007/025;
F02D 2009/0205; F02D 2009/0254; F02D
2009/0276

(57) **CLAIM**

The ornamental design for a throttle body coupler, as shown and described.

See application file for complete search history.

DESCRIPTION

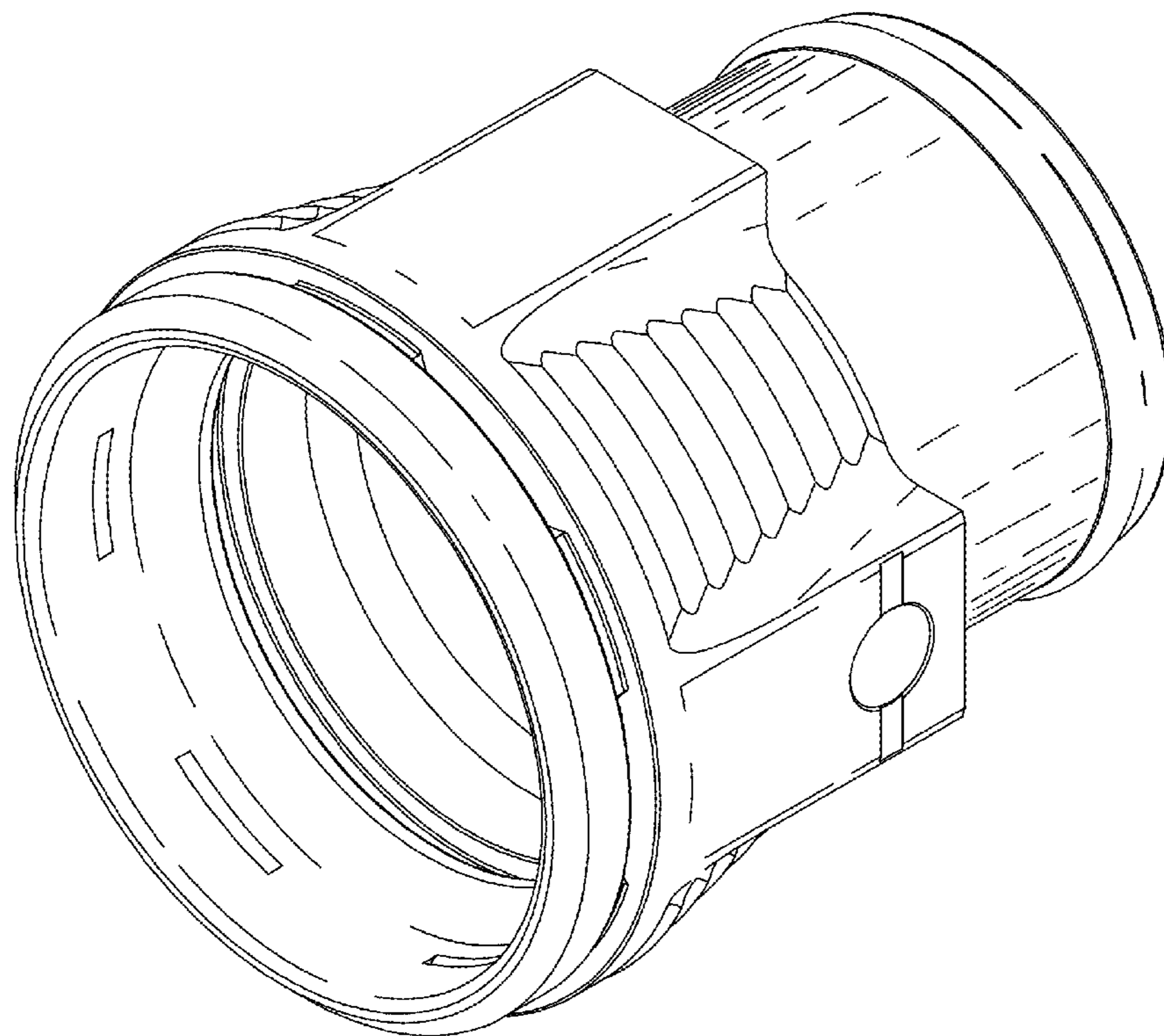
FIG. 1 is a perspective view of the throttle body coupler; FIG. 2 is a top view of the throttle body coupler; FIG. 3 is a bottom view of the throttle body coupler; and, FIG. 4 is a side elevation view of the throttle body coupler. The broken line shown in the drawings are for the purpose of illustrating portions of the article that form no part of the claimed design.

(56) **References Cited**

U.S. PATENT DOCUMENTS

4,669,499 A * 6/1987 Miyake F16K 1/22
137/375
8,157,241 B2 * 4/2012 Swinford F01D 17/148
251/305

1 Claim, 4 Drawing Sheets



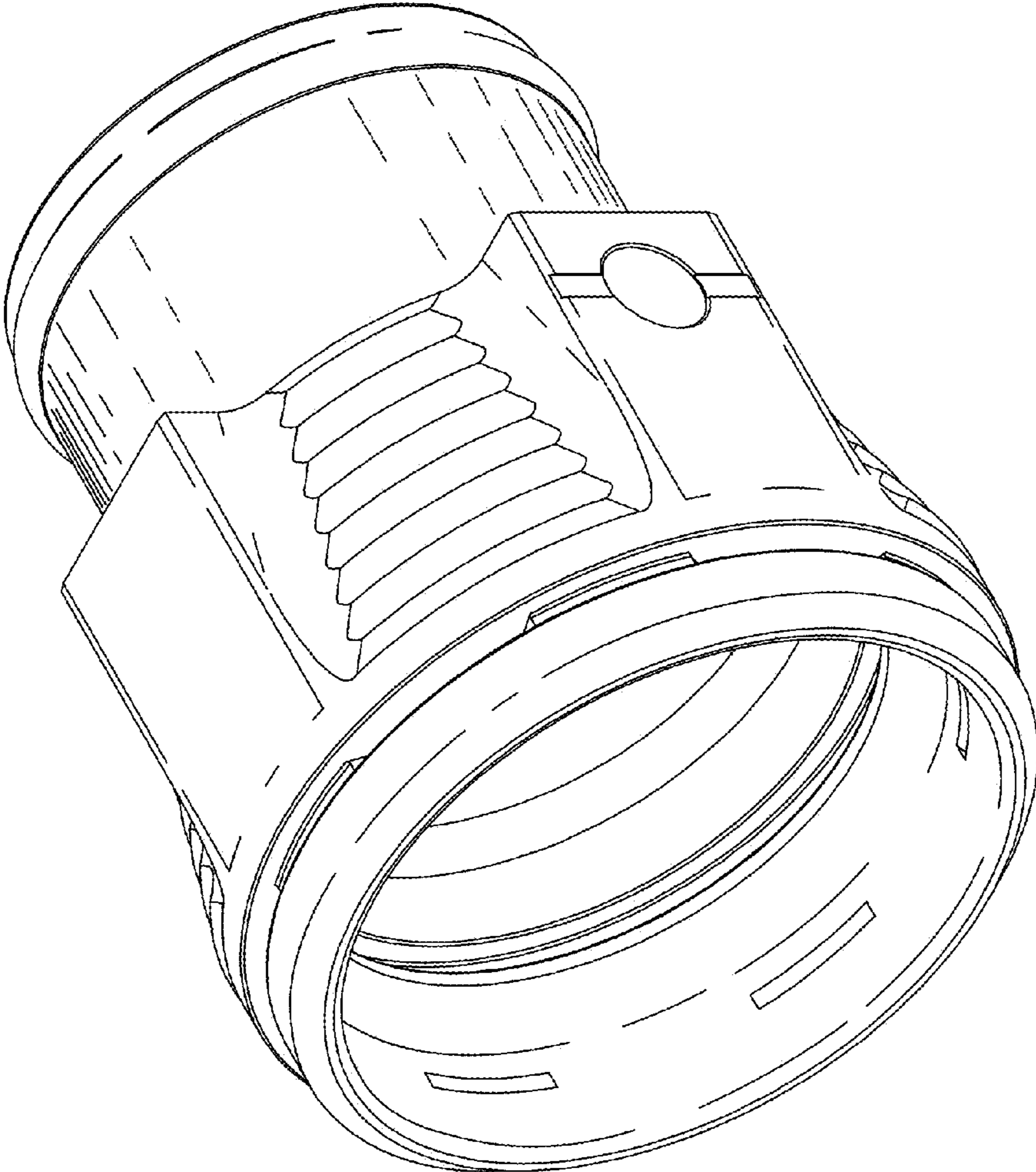


FIG. 1

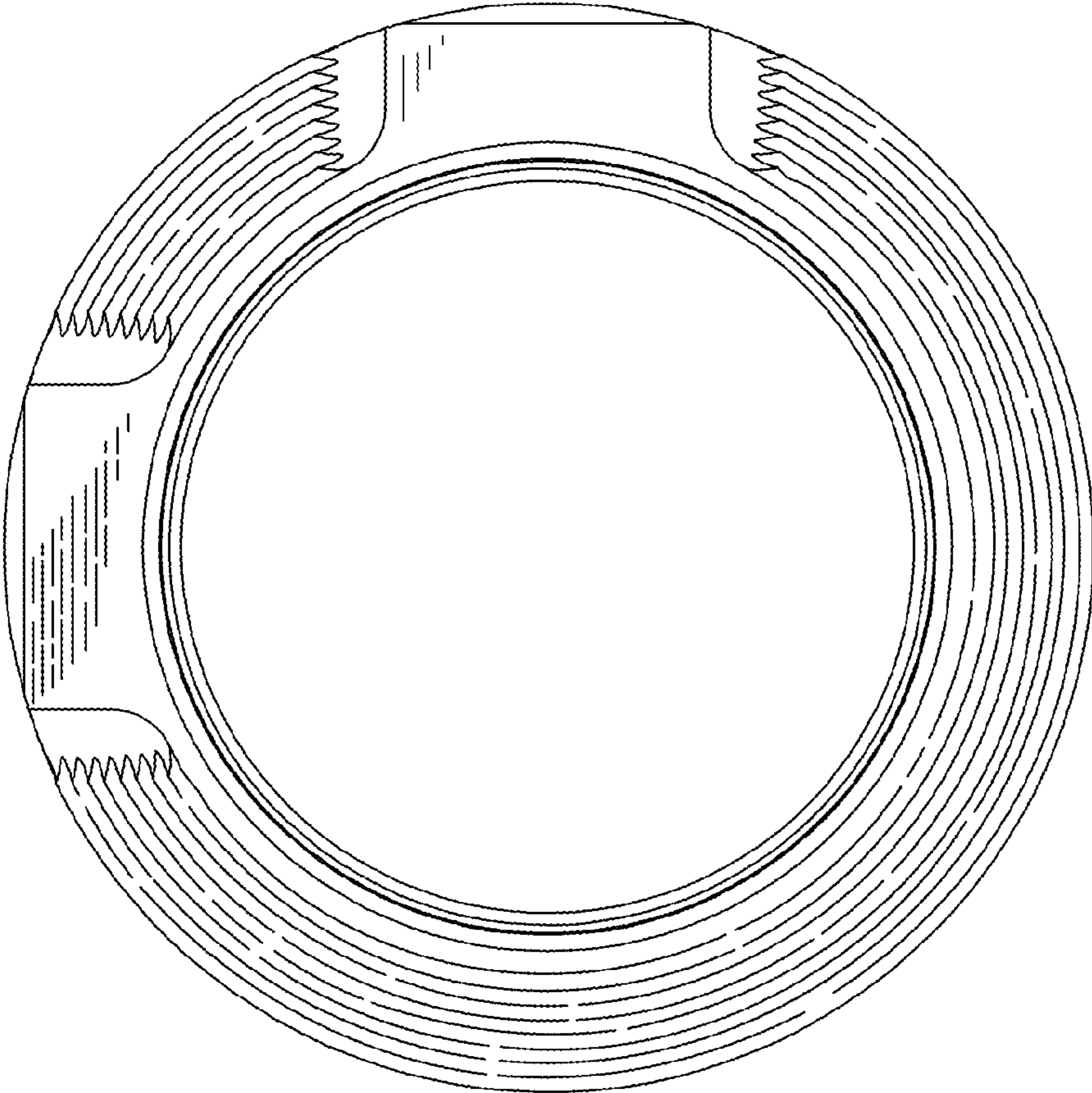


FIG. 2

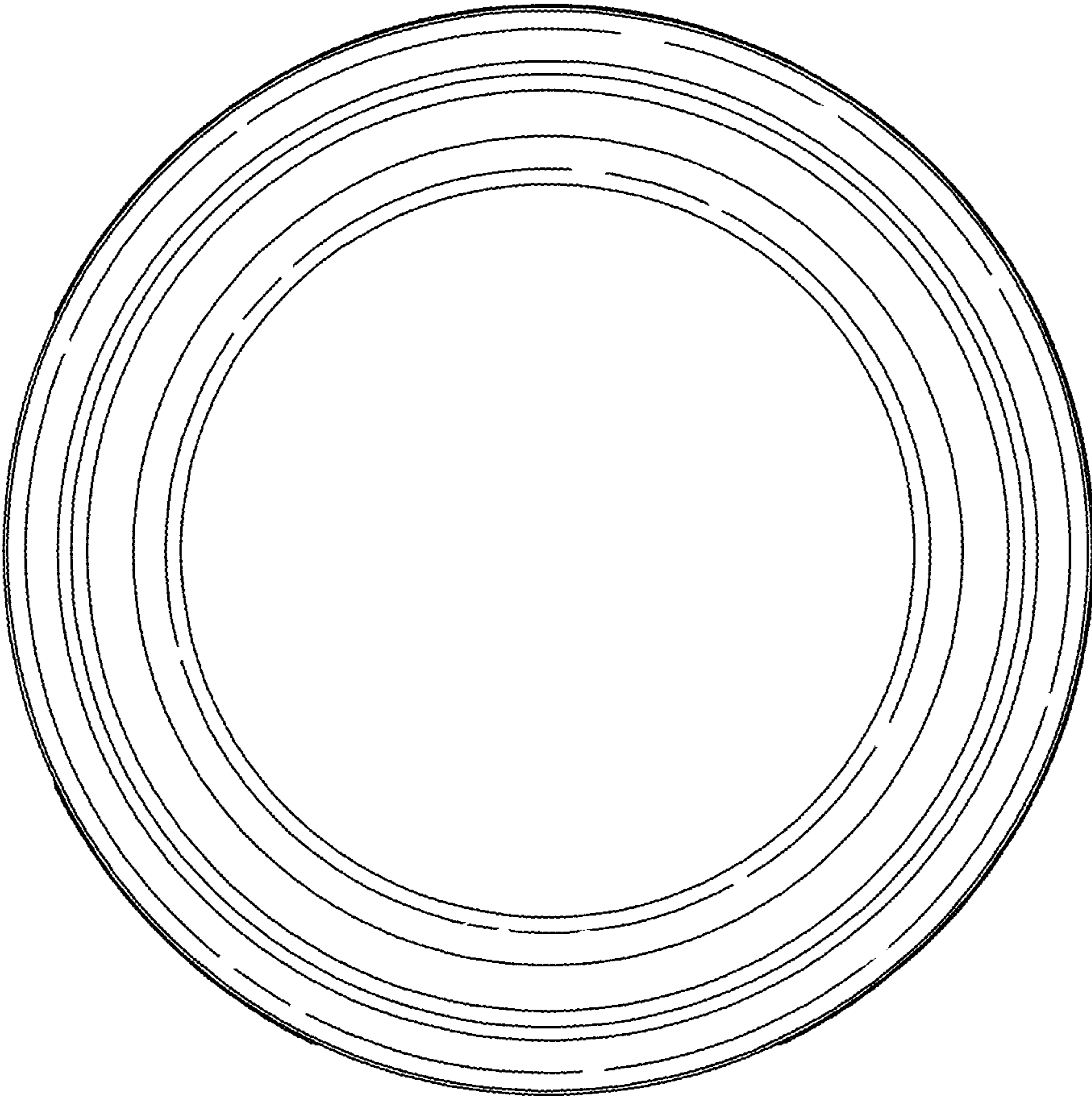


FIG. 3

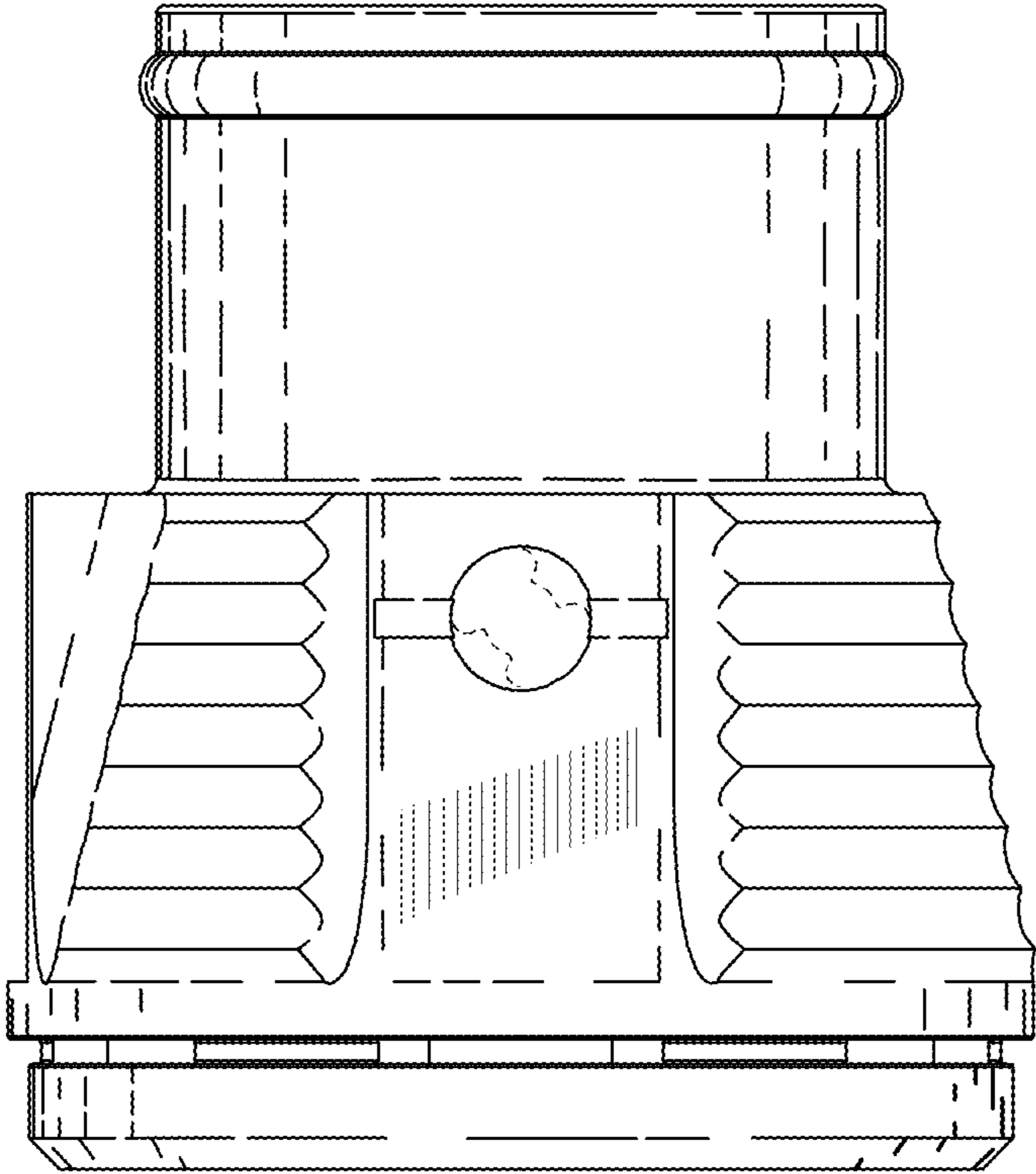


FIG. 4