



US00D753664S

(12) **United States Design Patent**
McClelland et al.

(10) **Patent No.:** **US D753,664 S**
(45) **Date of Patent:** **** Apr. 12, 2016**

- (54) **BEZEL WITH DOCKING RECESS**
- (71) Applicant: **Hewlett-Packard Development Company, L.P.**, Houston, TX (US)
- (72) Inventors: **Belgie B. McClelland**, Tomball, TX (US); **Kevin D. Conn**, Montgomery, TX (US); **Kelly K. Smith**, Spring, TX (US)
- (73) Assignee: **Hewlett Packard Enterprise Development LP**, Houston, TX (US)
- (**) Term: **14 Years**
- (21) Appl. No.: **29/486,630**
- (22) Filed: **Apr. 1, 2014**

7,084,932 B1 8/2006 Mathias et al.
 D564,439 S 3/2008 Vitito
 7,460,187 B2 12/2008 Schedivy
 7,490,887 B2 2/2009 Vitito
 D732,547 S * 6/2015 McClelland D14/450

OTHER PUBLICATIONS

United States Patent and Trademark Office "Final Office Action," issued in connection with U.S. Appl. No. 29/384,499, mailed on May 5, 2014, 7 pages.
 United States Patent and Trademark Office "Office Action," issued in connection with U.S. Appl. No. 29/384,499, mailed on Dec. 6, 2013, 8 pages.
 United States Patent and Trademark Office "Office Action," issued in connection with U.S. Appl. No. 29/384,499, mailed on Jun. 17, 2013, 5 pages.

(Continued)

Related U.S. Application Data

- (63) Continuation of application No. 29/384,499, filed on Jan. 31, 2011, now Pat. No. Des. 732,547.

- (51) **LOC (10) Cl.** **14-02**
- (52) **U.S. Cl.**
USPC **D14/450**

- (58) **Field of Classification Search**
USPC D14/450, 371, 374-382, 125-129;
345/104, 133, 156, 168, 173, 87;
348/180, 184, 325, 739; 248/917-924;
341/12; 349/1, 2, 11, 62; 428/14
CPC . G02F 1/13338; G02F 1/1616; G06F 3/0412;
G06F 3/0202; G06F 3/0219; G06F 3/0213;
G06F 3/023; B60R 11/02; B60R 11/0211;
B60K 35/00

See application file for complete search history.

- (56) **References Cited**

U.S. PATENT DOCUMENTS

D375,302 S 11/1996 Darius et al.
 5,775,762 A 7/1998 Vitito
 D402,970 S 12/1998 Rosen
 D437,936 S 2/2001 Guy

Primary Examiner — Cynthia Ramirez
 (74) *Attorney, Agent, or Firm* — Hanley Flight & Zimmerman, LLC

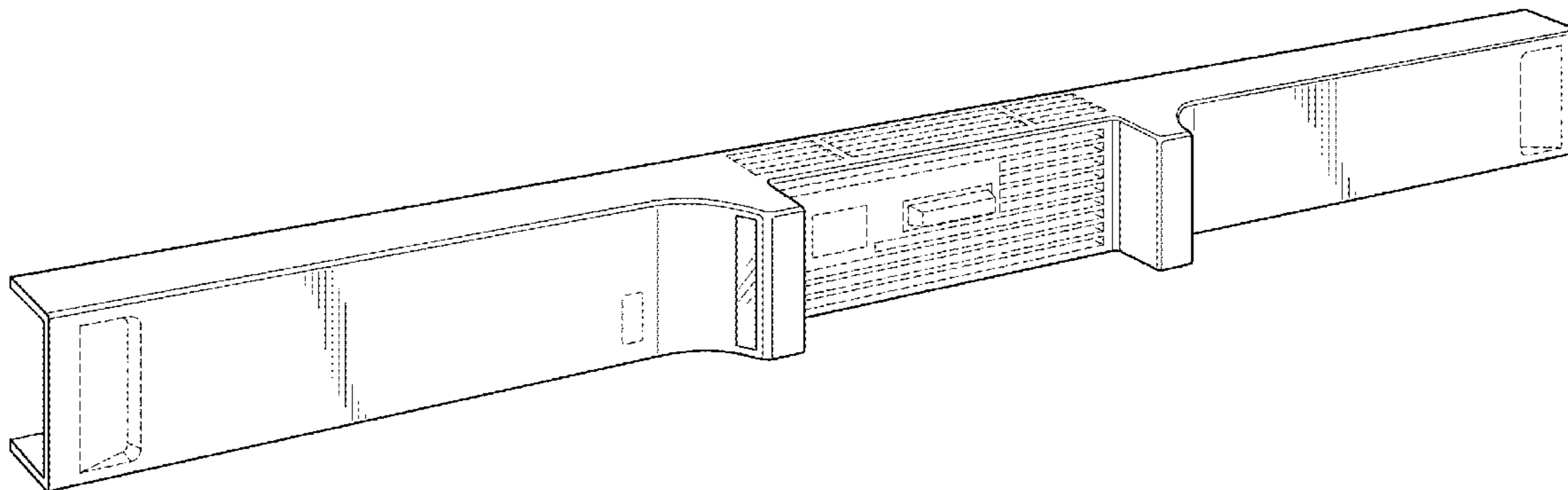
- (57) **CLAIM**

The ornamental design for a "bezel with docking recess," as shown and described.

DESCRIPTION

FIG. 1 is a left, front perspective view of a bezel with docking recess showing our new design;
 FIG. 2 is a front view thereof;
 FIG. 3 is a top view thereof;
 FIG. 4 is a right side view thereof. The left side view being a mirror image thereof;
 FIG. 5 is an illustrative perspective view thereof;
 FIG. 6 is a front view thereof; and,
 FIG. 7 is a top view thereof.
 The broken lines shown in the figures are included for the purpose of illustrating environment and forms no part of the claimed design.

1 Claim, 4 Drawing Sheets



(56)

References Cited

OTHER PUBLICATIONS

United States Patent and Trademark Office "Office Action," issued in connection with U.S. Appl. No. 29/384,499, mailed on Feb. 7, 2013, 6 pages.

United States Patent and Trademark Office "Office Action," issued in connection with U.S. Appl. No. 29/384,499, mailed on Dec. 5, 2012, 7 pages.

United States Patent and Trademark Office "Notice of Allowance," issued in connection with U.S. Appl. No. 29/384,499, mailed on Feb. 20, 2015, 13 pages.

United States Patent and Trademark Office "Non-final Office Action," issued in connection with U.S. Appl. No. 29/518,531, mailed on Dec. 30, 2015, 15 pages.

* cited by examiner

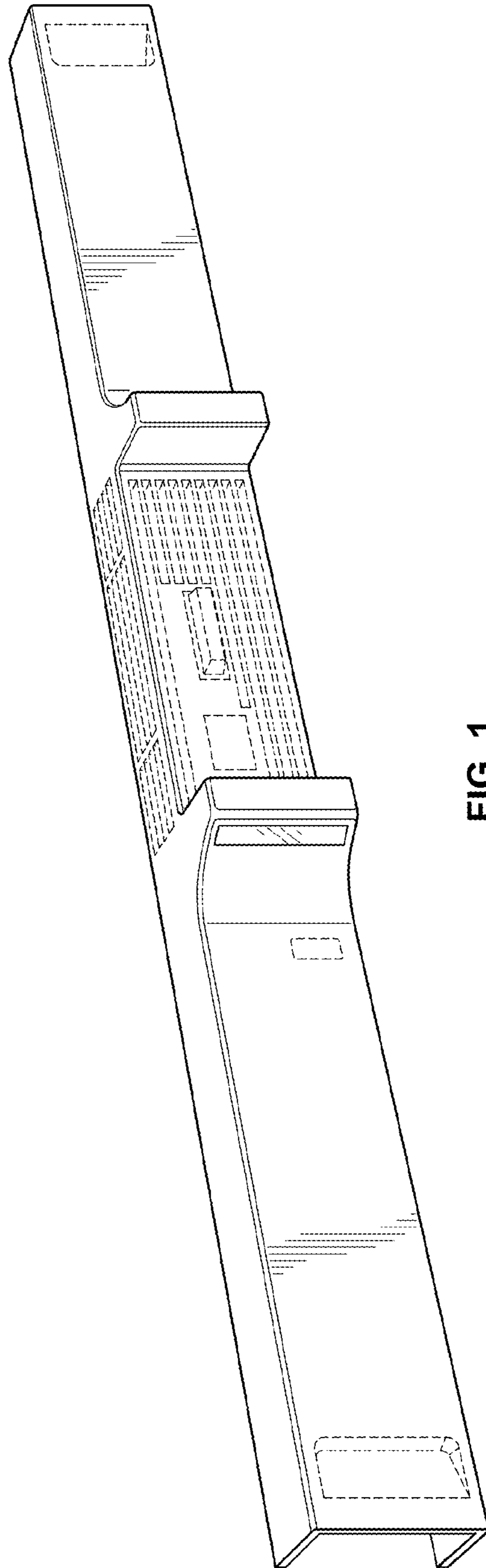


FIG. 1

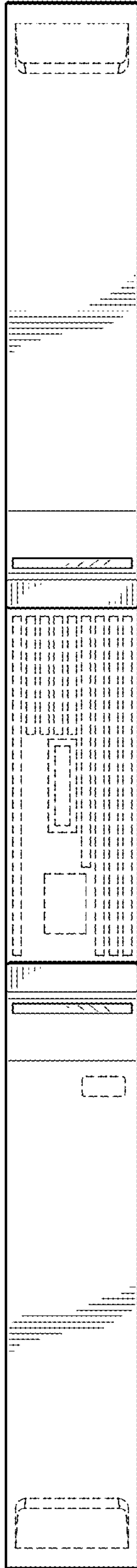


FIG. 2

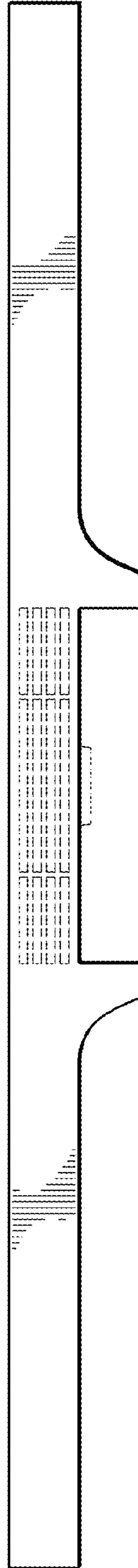


FIG. 3

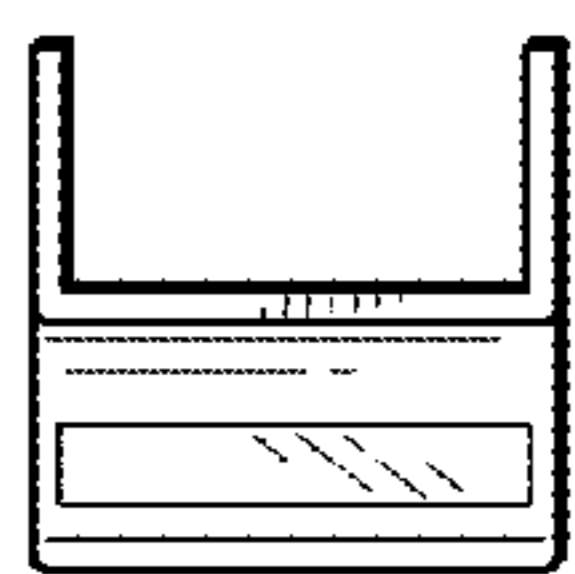


FIG. 4

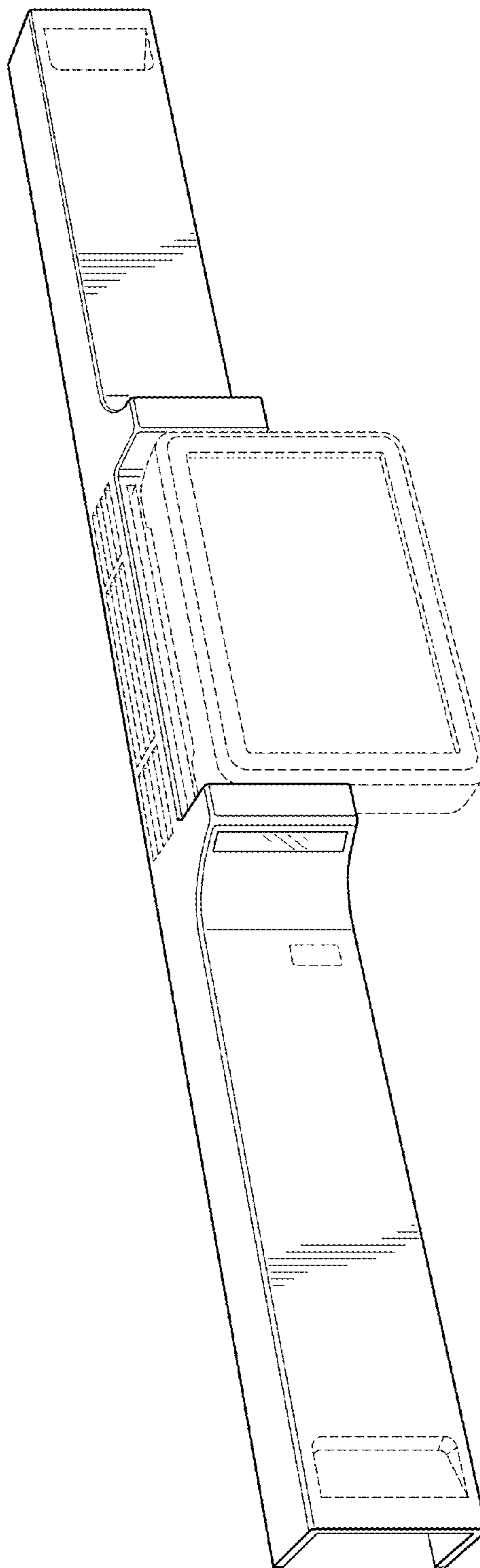


FIG. 5

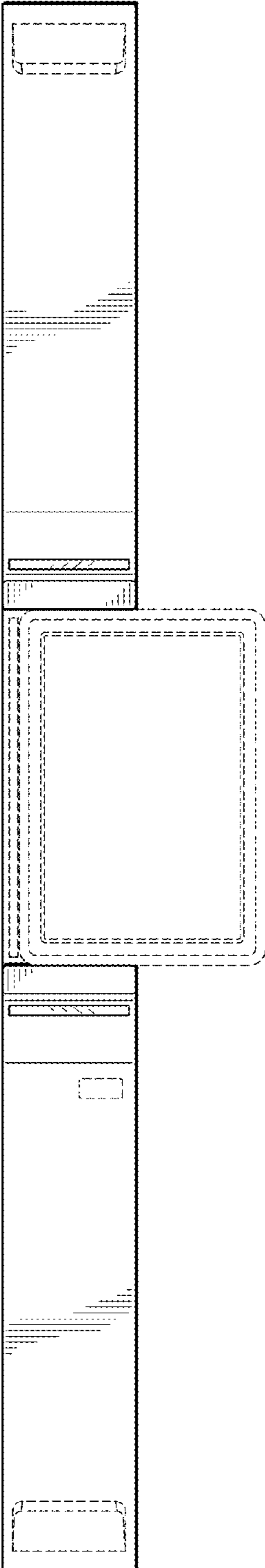


FIG. 6

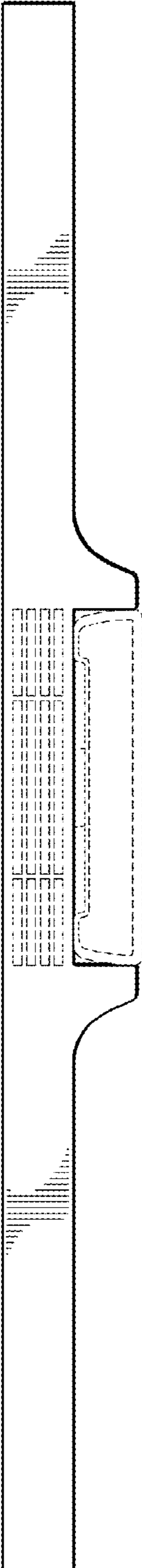


FIG. 7