



US00D753663S

(12) **United States Design Patent**
Lorenzini et al.

(10) **Patent No.:** **US D753,663 S**
(45) **Date of Patent:** **** Apr. 12, 2016**

(54) **DISPLAY BOARD WITH APERTURES,
RECEPTACLE, AND SUPPORT FOR
MULTIMEDIA ELECTRONICS DEVICES**

(71) Applicants: **Ann Louise Lorenzini**, Chazy, NY
(US); **Bowen Lorenzini Christopher**,
Chazy, NY (US)

(72) Inventors: **Ann Louise Lorenzini**, Chazy, NY
(US); **Bowen Lorenzini Christopher**,
Chazy, NY (US)

(**) Term: **14 Years**

(21) Appl. No.: **29/515,726**

(22) Filed: **Jan. 26, 2015**

(51) **LOC (10) Cl.** **08-07**

(52) **U.S. Cl.**
USPC **D14/447**

(58) **Field of Classification Search**
USPC D14/447, 432, 434, 439, 440, 451, 452,
D14/457, 250, 251, 253; D3/218; D6/406.3,
D6/406.4, 406.5, 406.6
CPC A45C 2011/003; A45C 2011/002;
A45C 13/002; A47B 2023/049; A47B
2097/005; A47B 2097/006; A47B 21/04;
A47B 23/00; A47B 23/043; A47B 2021/0307;
A47B 2023/005; F16M 2200/00; H04B
1/3888; H04M 1/04; H04M 1/185
See application file for complete search history.

(56) **References Cited**

U.S. PATENT DOCUMENTS

D405,976 S *	2/1999	Beall	D20/10
D674,396 S *	1/2013	Yang	D14/447
D676,449 S *	2/2013	Probst	D14/440
D676,452 S *	2/2013	So	D14/447
D676,853 S *	2/2013	Gengler	D14/447
D689,870 S *	9/2013	Fong	D14/447
D692,012 S *	10/2013	Thorne	D14/253
D714,302 S *	9/2014	Fujioka	D14/447
D715,806 S *	10/2014	An	D14/447
D716,817 S *	11/2014	Yang	D14/447
D721,710 S *	1/2015	Messing	D14/447
D730,914 S *	6/2015	Park	D14/447
D733,155 S *	6/2015	van Hooft	D14/447

* cited by examiner

Primary Examiner — Angela J Lee

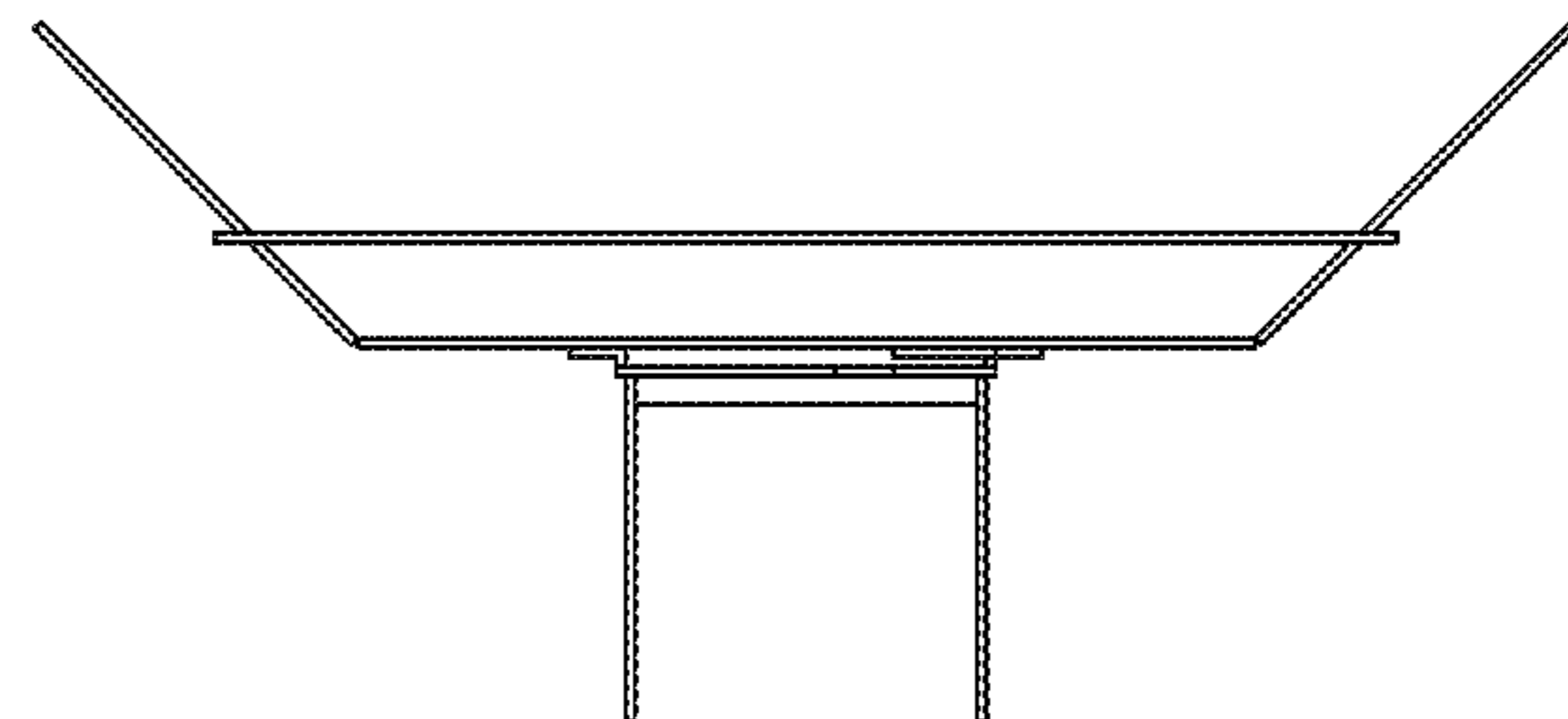
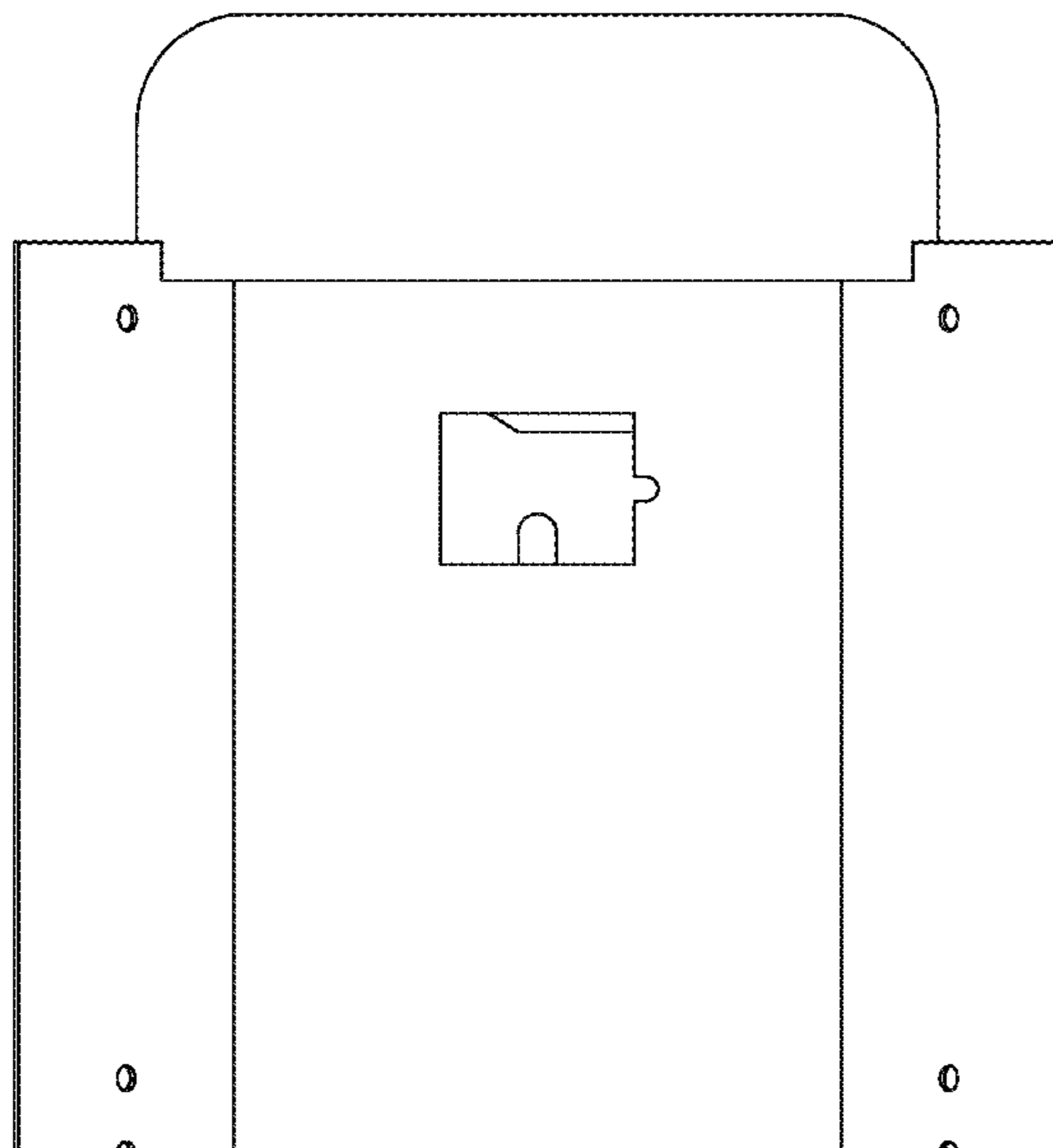
(57) **CLAIM**

The ornamental design for display board with apertures, receptacle, and support for multimedia electronic devices, as shown and described.

DESCRIPTION

FIG. 1 is a front elevational view of a tri-fold tablet display board showing our new design;
FIG. 2 is a left side elevational view and identical right side view thereof;
FIG. 3 is a rear elevational view thereof; and,
FIG. 4 is a top plan view thereof.

1 Claim, 4 Drawing Sheets



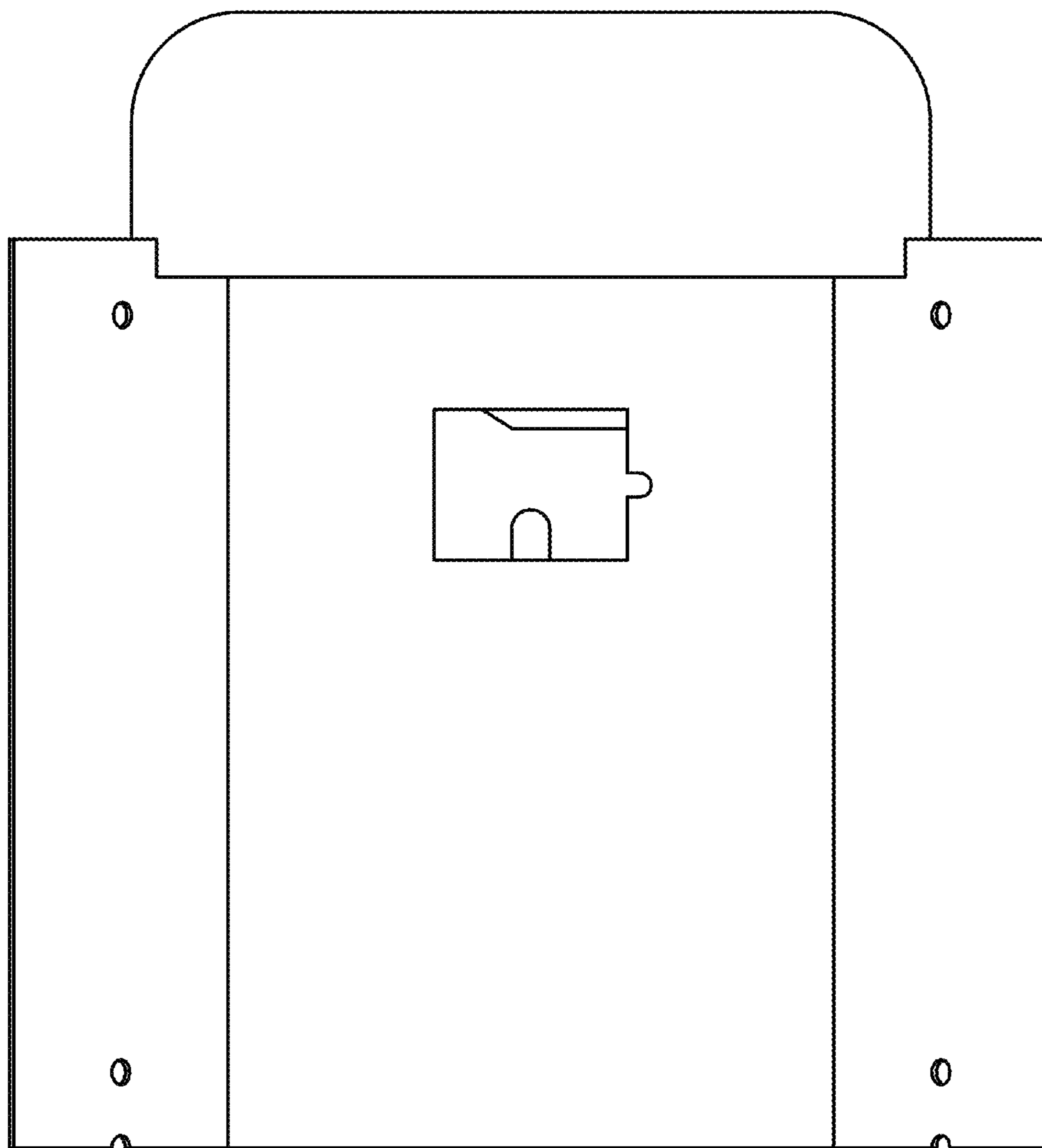


Fig. 1

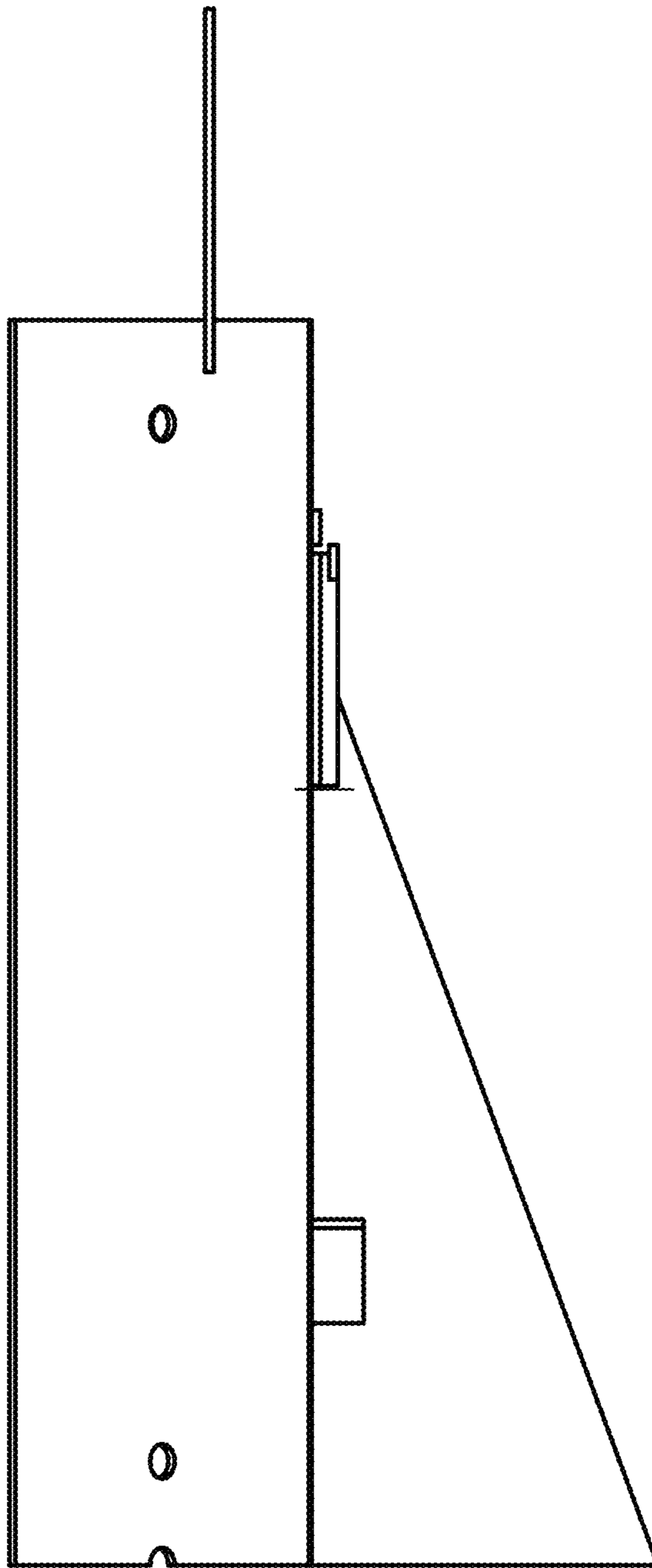


Fig. 2

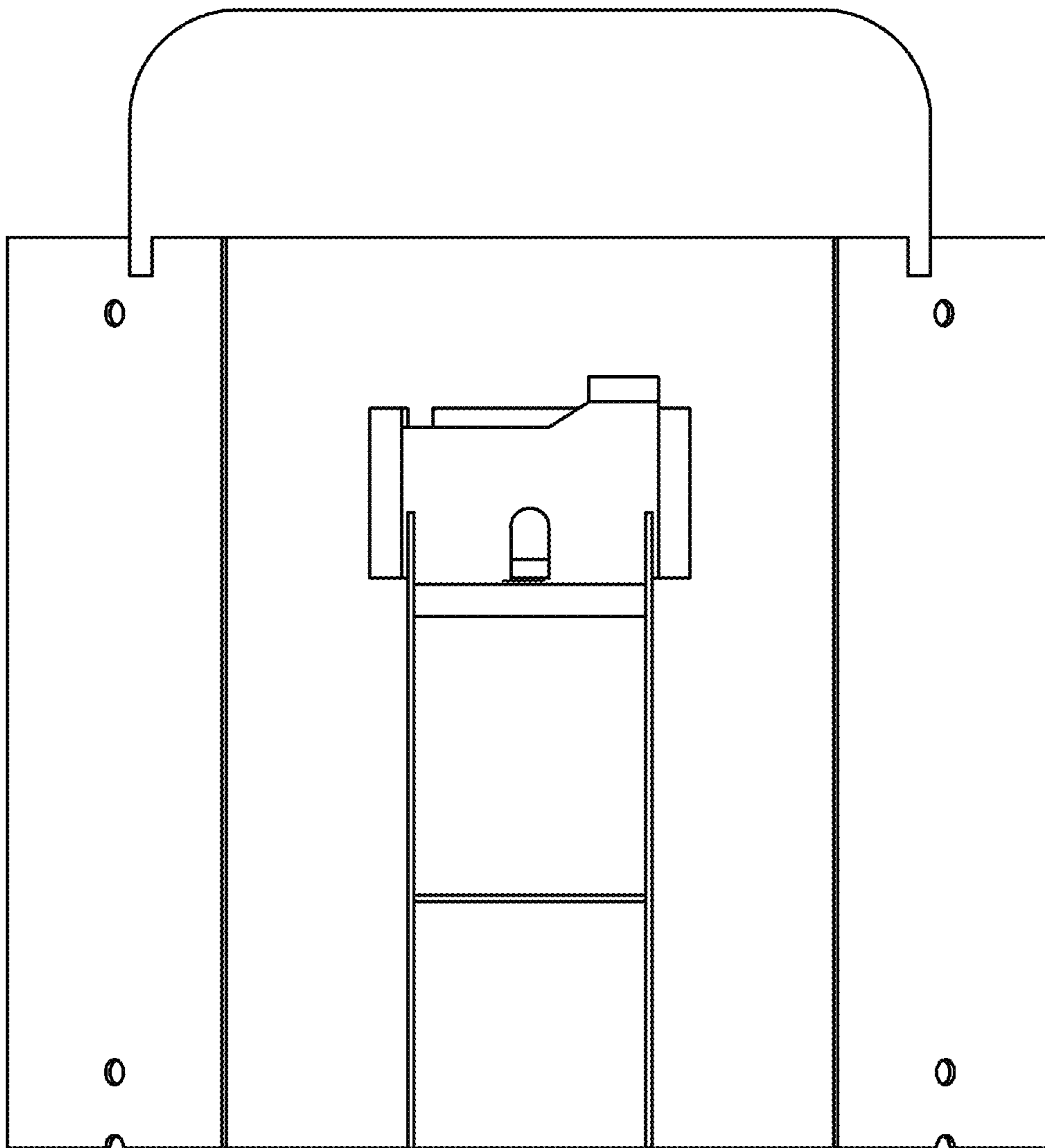


Fig. 3

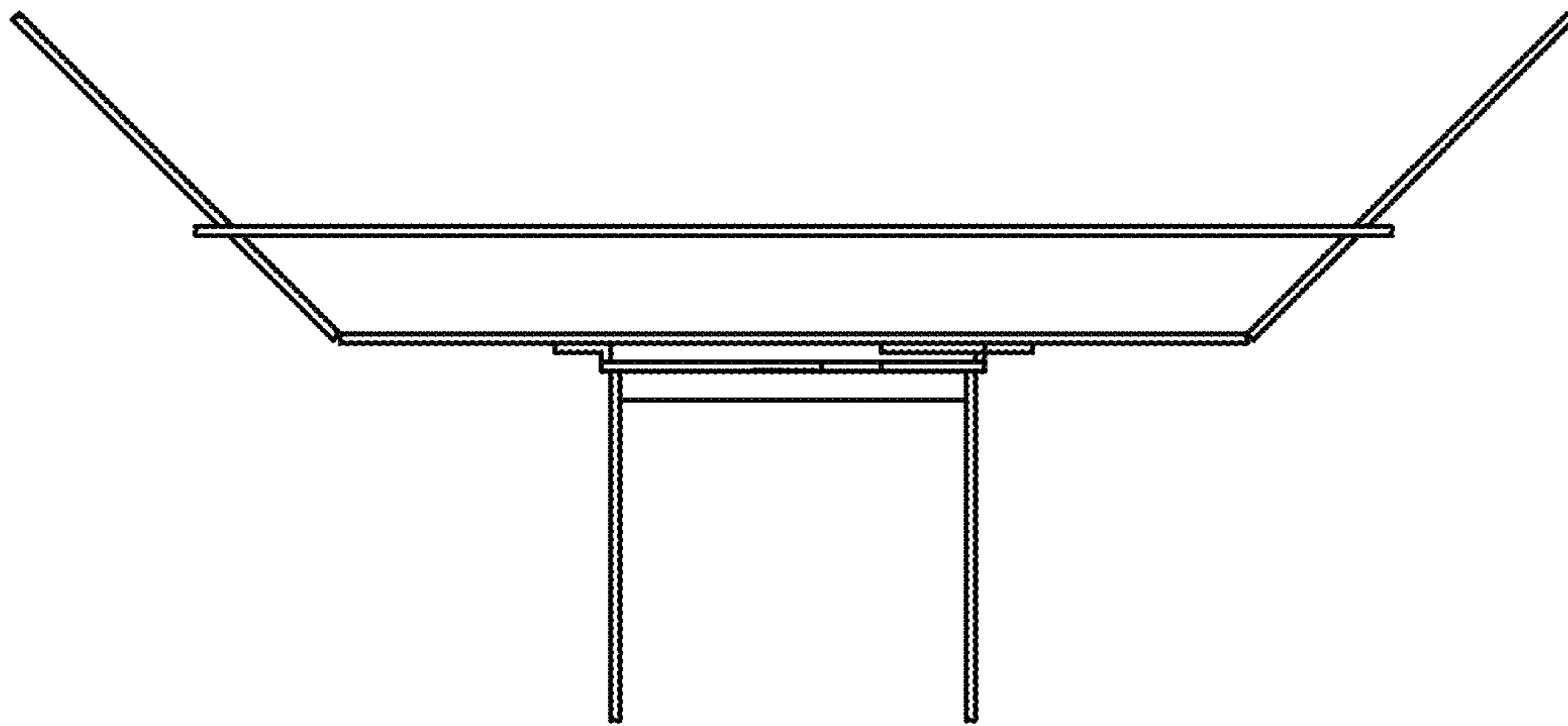


Fig. 4