



US00D753662S

(12) **United States Design Patent**
Arrington et al.

(10) **Patent No.:** **US D753,662 S**
(45) **Date of Patent:** **** Apr. 12, 2016**

(54) **UNIVERSAL SERIAL BUS (USB) PLUG SYSTEM**

(71) Applicant: **Toshiba Global Commerce Solutions Holdings Corporation**, Toyko (JP)

(72) Inventors: **Stacy Arrington**, Morrisville, NC (US);
Timothy Crockett, Raleigh, NC (US);
Jose Figueroa, Knightdale, NC (US)

(73) Assignee: **Toshiba Global Commerce Solutions Holdings Corporation**, Tokyo (JP)

(**) Term: **14 Years**

(21) Appl. No.: **29/521,558**

(22) Filed: **Mar. 24, 2015**

(51) **LOC (10) Cl.** **14-02**

(52) **U.S. Cl.**
USPC **D14/433**

(58) **Field of Classification Search**
USPC D14/356, 432-434, 453, 454, 511,
D14/203.8, 209.1, 238.1, 240, 125;
439/638, 928, 105, 502; 710/303, 304;
361/679.41, 679.55, 679.56; D13/110,
D13/133, 146

CPC ... H04L 12/2832; H04L 12/2838; G06F 3/00;
G06F 5/00; G06F 13/14

See application file for complete search history.

(56) **References Cited**

U.S. PATENT DOCUMENTS

D565,443 S * 4/2008 Frake D10/78
D604,725 S * 11/2009 Chen D13/184
D624,548 S * 9/2010 Yamamoto D14/433
D627,784 S * 11/2010 Yamamoto D14/433

D643,841 S * 8/2011 Lyford D13/133
D649,971 S * 12/2011 Lyford D13/133
D683,314 S * 5/2013 Andre D13/108
D704,578 S * 5/2014 Chen D10/70
D714,293 S * 9/2014 Kelly D14/433
D730,903 S * 6/2015 Langhammer D14/433
D731,489 S * 6/2015 Langhammer D14/433

* cited by examiner

Primary Examiner — Austin Murphy

(74) *Attorney, Agent, or Firm* — Olive Law Group, PLLC

(57) **CLAIM**

We claim the ornamental design for the universal serial bus (USB) plug system, as shown and described.

DESCRIPTION

This application is related to U.S. Utility patent application Ser. No. 14/667,570, titled Universal Serial Bus (USB) Port And Plug Systems and filed simultaneously herewith, and U.S. Design patent application Ser. No. 29/521,562, titled Universal Serial Bus (USB) Port System and filed simultaneously herewith.

This invention was supported by the National Institute of Health, Grant No. R121-CA-120128, and the National Science Foundation, Grant No. BES-03-48204. The United States Government has certain rights in the invention.

FIG. 1 shows a front perspective view of the USB plug system;

FIG. 2 shows a back perspective view thereof;

FIG. 3 shows a back view thereof;

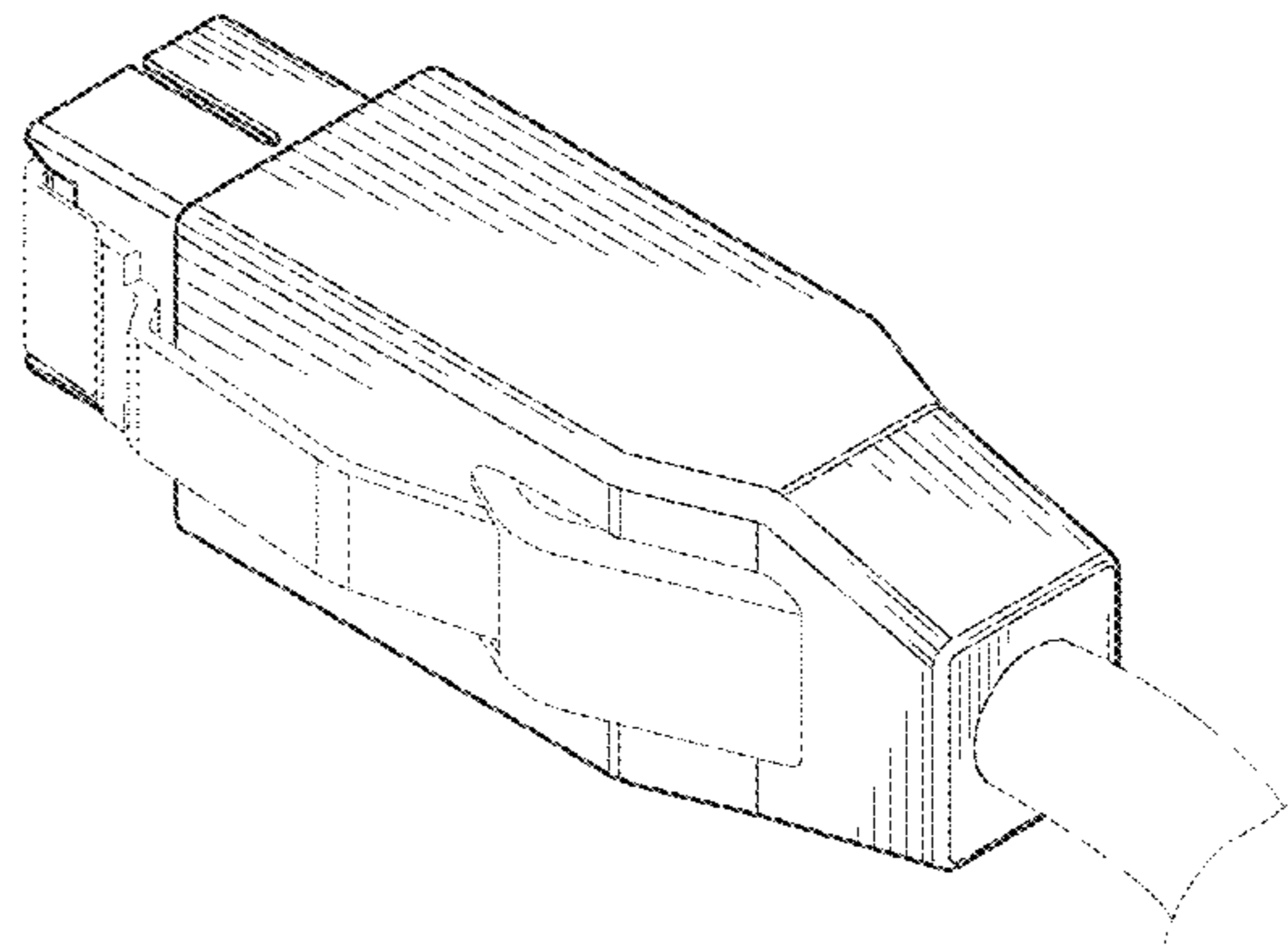
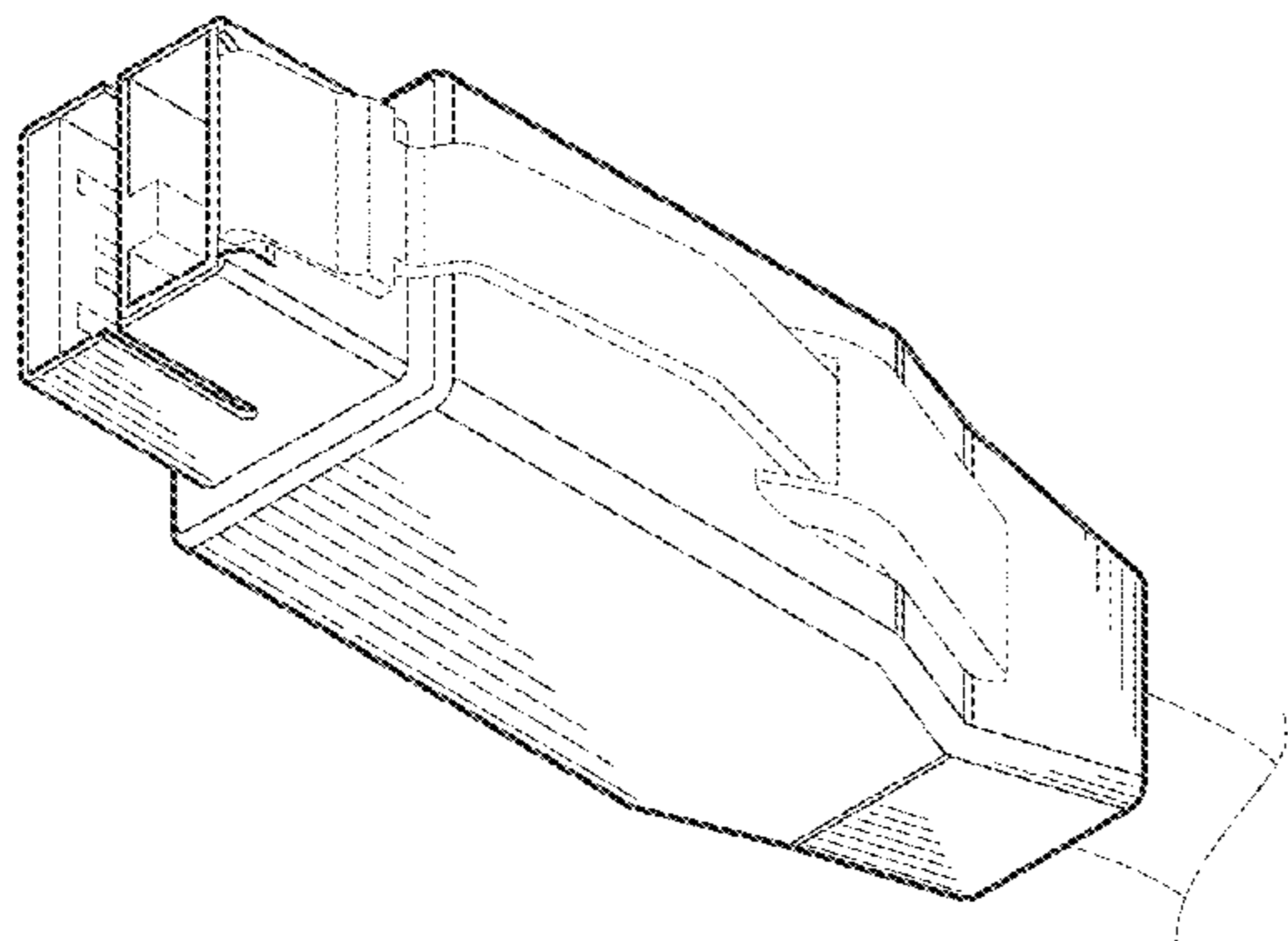
FIG. 4 shows a side view thereof;

FIG. 5 shows a top view thereof; and,

FIG. 6 shows front view thereof.

The broken lines in the drawings illustrate unclaimed portions of the USB plug system and form no part of the claimed design.

1 Claim, 2 Drawing Sheets



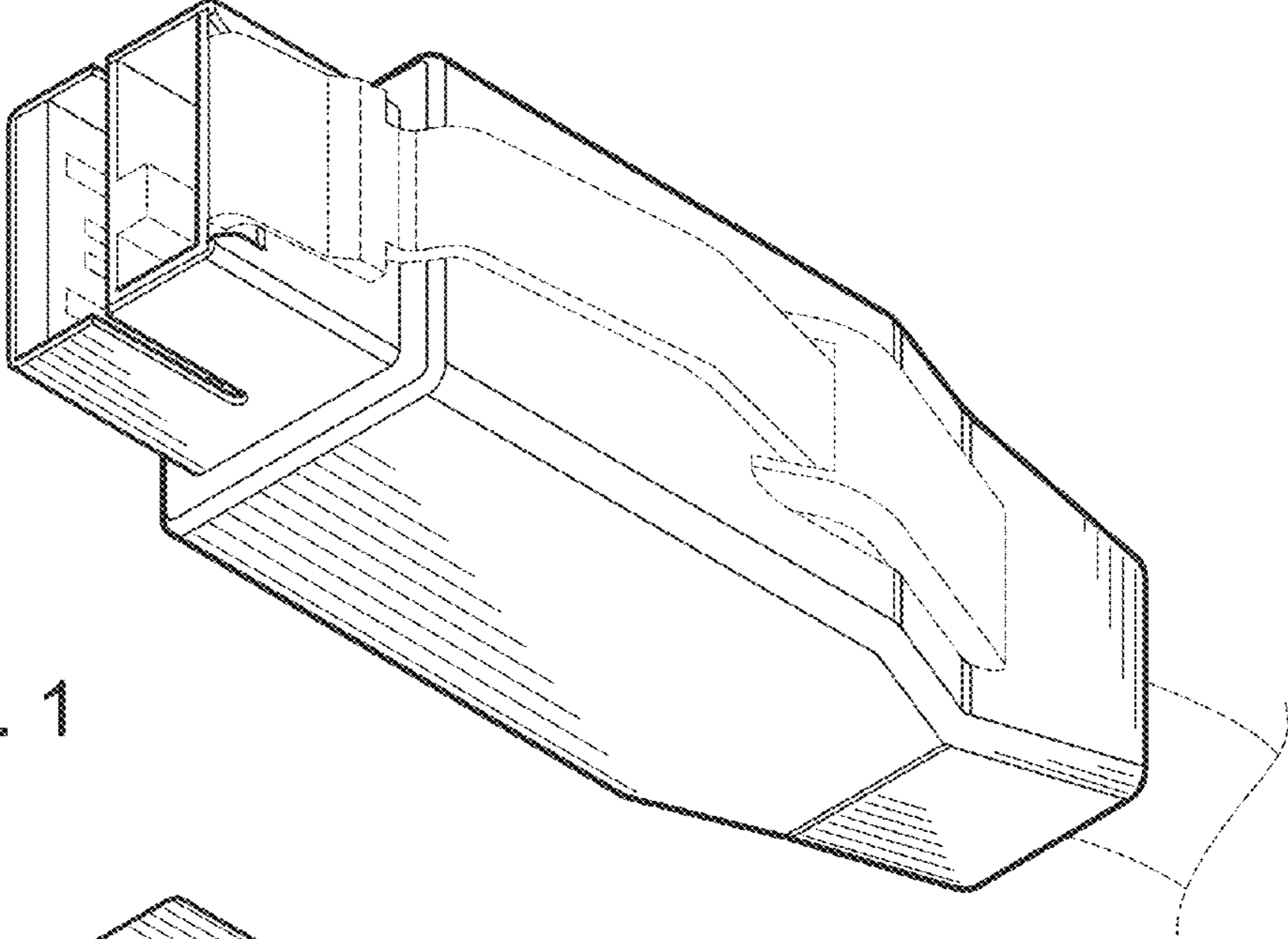


FIG. 1

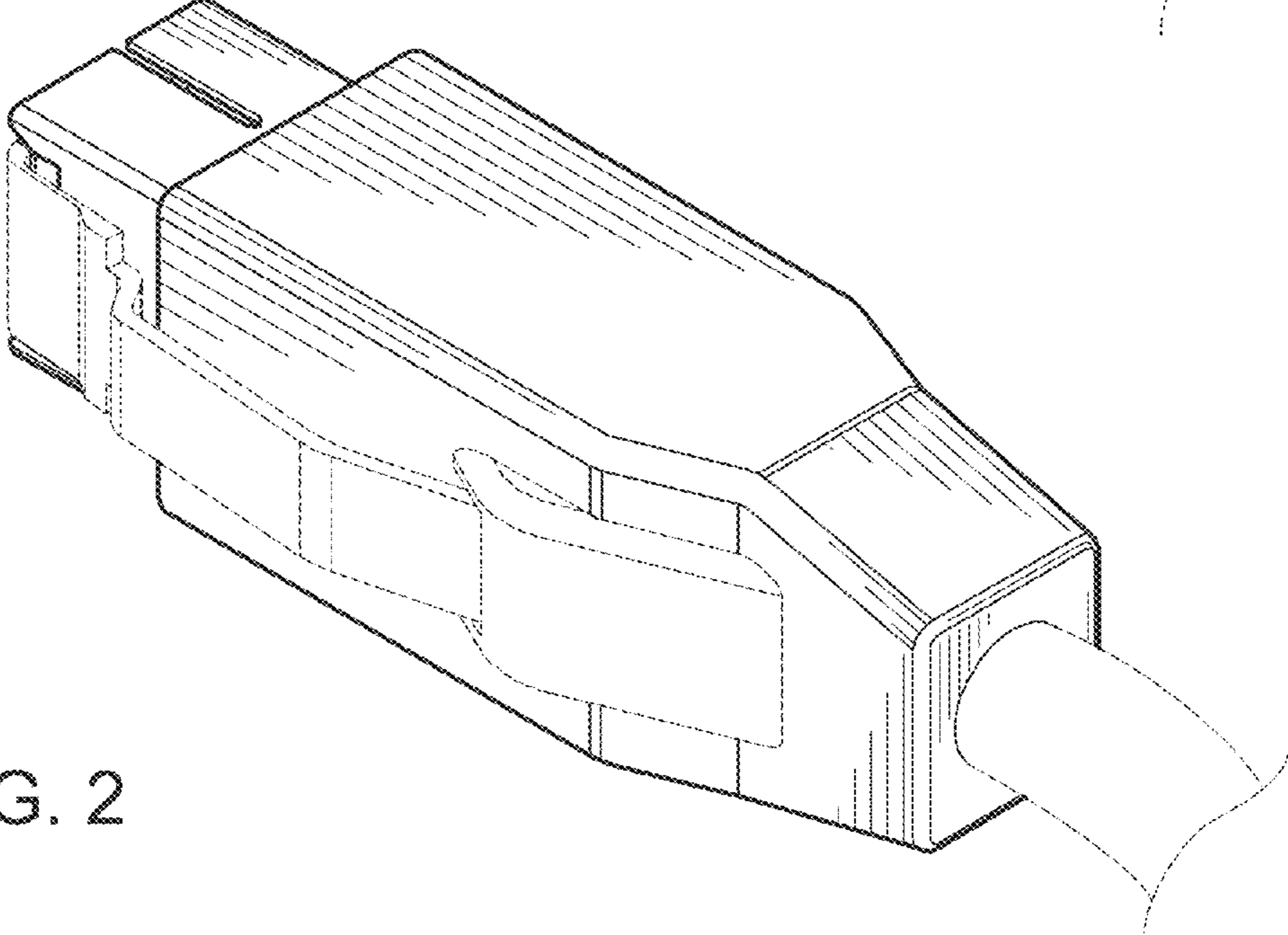


FIG. 2

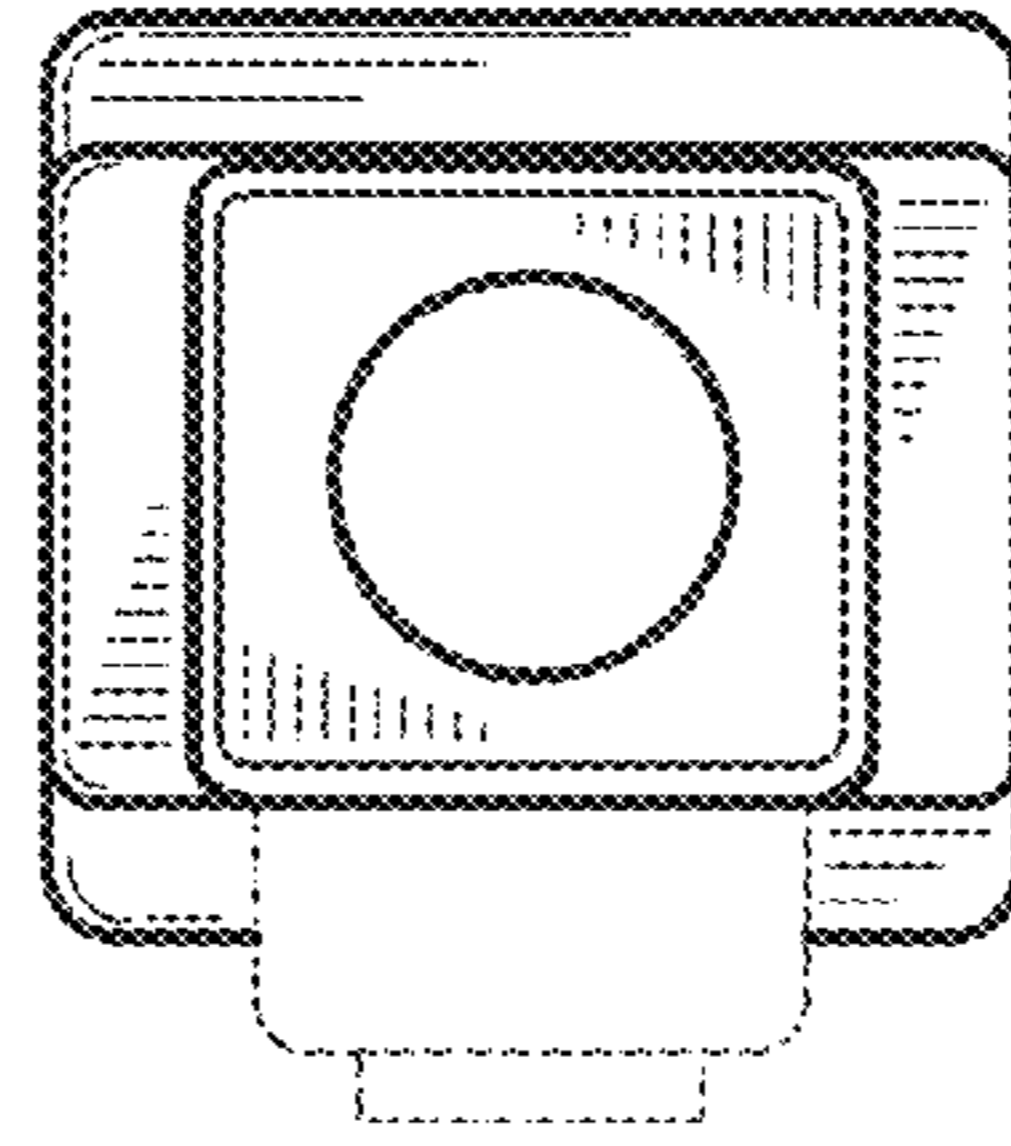


FIG. 3

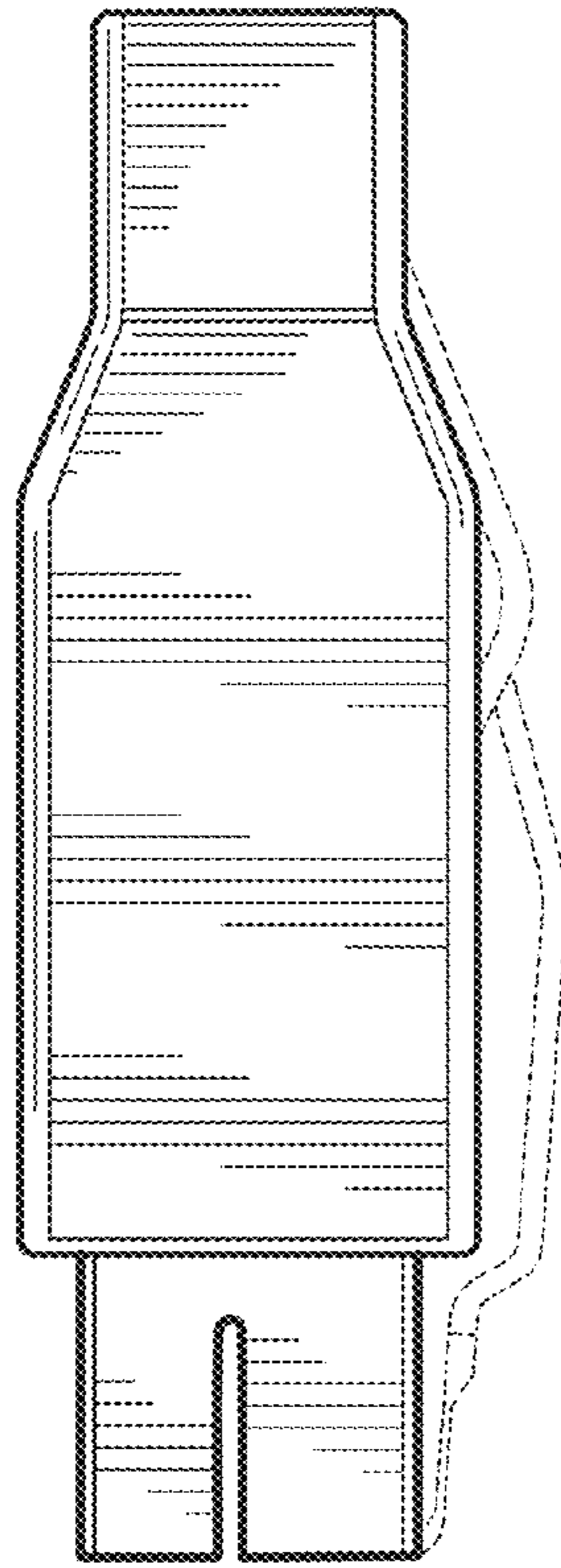


FIG. 4

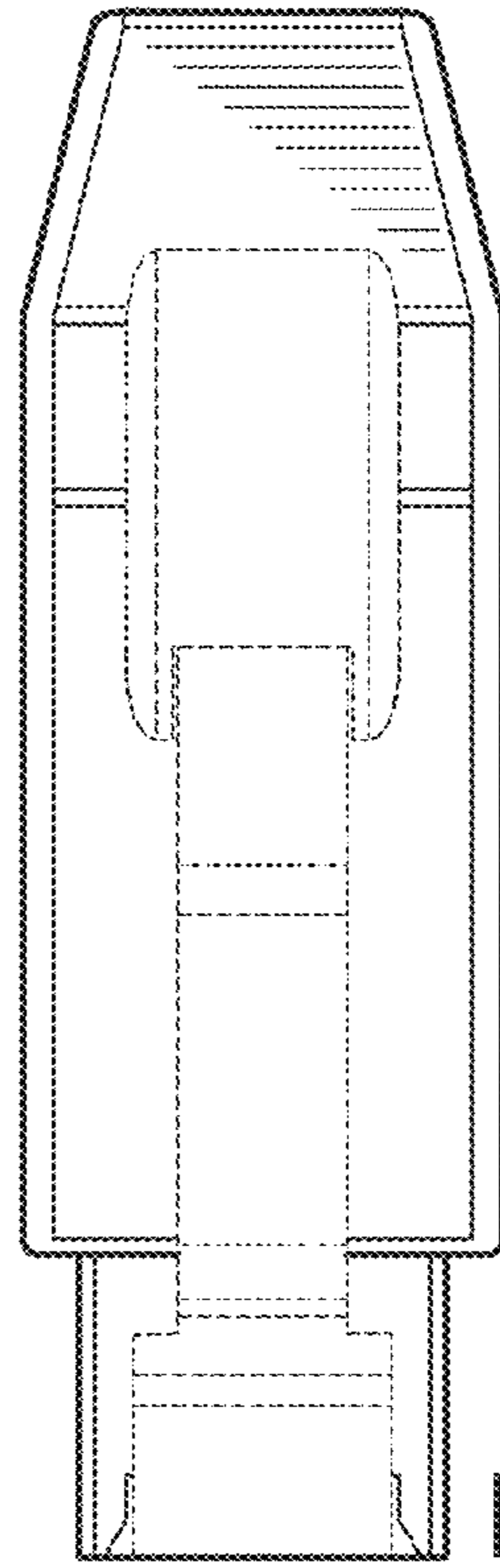


FIG. 5

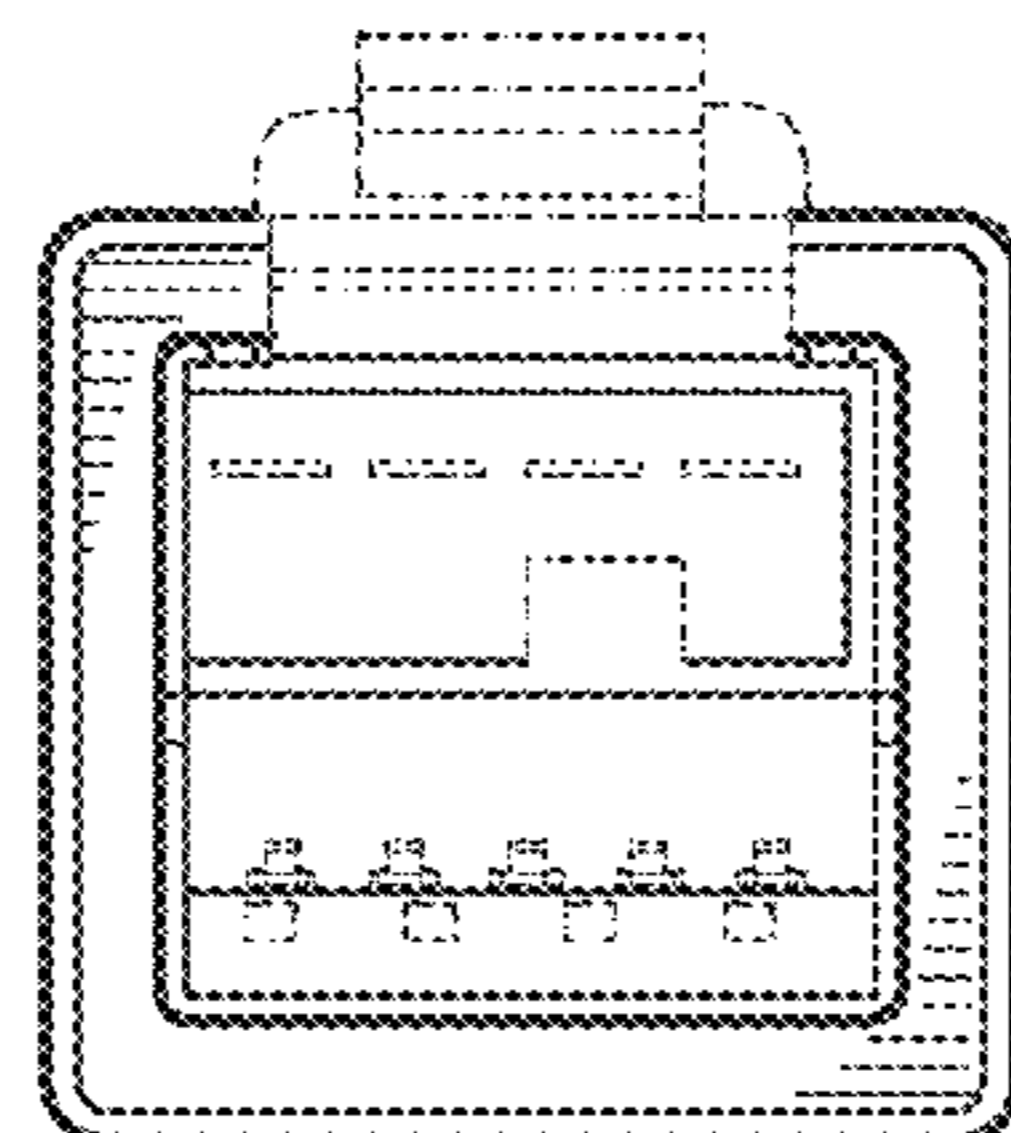


FIG. 6